

AMERICAN Woodmark®



ADELAIDE MAPLE LATTE, PAINTED VANILLA, AND PAINTED BLACK

SPECIFICATION GUIDE

JULY 2022

INTRODUCING THE MAPLE LATTE FINISH

Incorporating earthy wood tones is among the top trends for kitchen and bath remodels, and Maple Latte fits that bill. This warm neutral is perfect for adding a natural feel to any space. Whether paired with a pop of color, blended with another neutral, or all by itself, our Maple Latte finish is sure to be the calming element for which your customer is looking. Create a contemporary space with a bold backsplash and copper finishes, or a welcoming farmhouse look when paired with an accent finish and mixed metals. The possibilities are endless with this versatile finish.



BROOKLAND MAPLE LATTE AND PAINTED NAVY



GARNER MAPLE LATTE



MAPLE LATTE DOOR STYLES

AVAILABLE DOOR STYLES



MACARTHUR

SAVANNAH

READING

PORTOLA

GARNER

BROOKLAND



HANOVER

SHOREBROOK

LEESBURG

ADELAIDE

WESTERLY

ASHLAND

INTRODUCING THE PAINTED VANILLA FINISH

Our Painted Vanilla is the perfect neutral to warm up any space. This soft white finish can bring balance to your customer's overall palette and mix beautifully with many of our paints and stains. This organic finish will add a sense of serenity and create a welcoming atmosphere no matter your customer's style.



SHOREBROOK PAINTED VANILLA AND PAINTED NAVY

LEESBURG PAINTED VANILLA



PAINTED VANILLA DOOR STYLES

AVAILABLE DOOR STYLES



MACARTHUR

SAVANNAH

READING

PORTOLA

GARNER

BROOKLAND



HANOVER

SHOREBROOK

LEESBURG

ADELAIDE

WESTERLY

ASHLAND

INTRODUCING THE PAINTED BISCOTTI GLAZE FINISH

A warm brown glaze over a soft white finish adds depth and dimension to our glazed door styles. The subtle undertone and rich glaze come together perfectly to elevate your customer's space. Add a touch of rustic charm and coziness to any room with our Painted Biscotti Glaze.



WESTERLY
PAINTED BISCOTTI GLAZE



WESTERLY
PAINTED BISCOTTI GLAZE



PAINTED BISCOTTI GLAZE DOOR STYLES

AVAILABLE DOOR STYLES



MACARTHUR

SAVANNAH

PORTOLA

GARNER

BROOKLAND



ADELAIDE

WESTERLY

ASHLAND



INTRODUCING THE PAINTED BLACK FINISH

Effortlessly chic, our Painted Black is a bold finish that demands attention and commands the room. Dramatic enough to enhance any space, its versatility makes it a favorite on its own or paired with many finishes in our palette. This grounding finish works as a foundation for any space, no matter your customer's style.



READING PAINTED BLACK AND DURAFORM® DRIFT



SHOREBROOK PAINTED BLACK

PAINTED BLACK DOOR STYLES

AVAILABLE DOOR STYLES



MACARTHUR

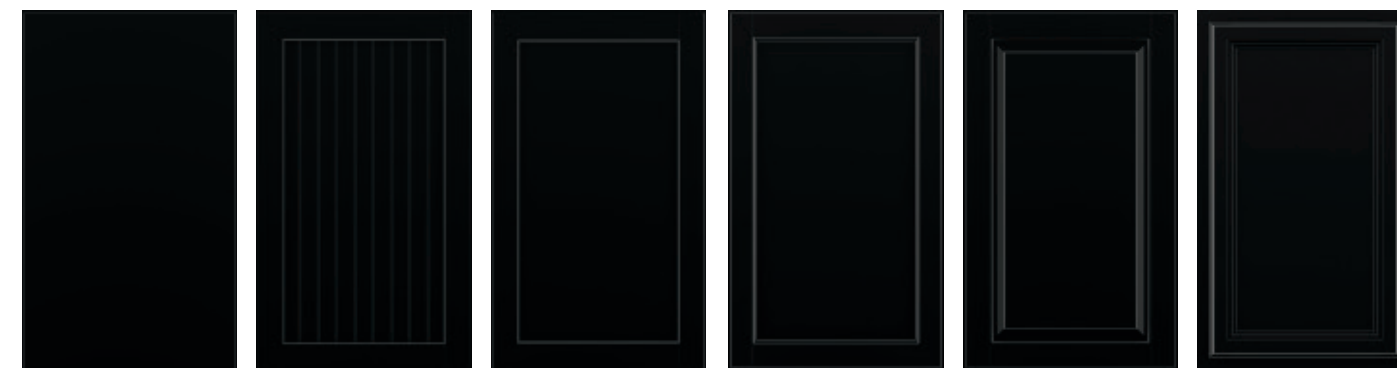
SAVANNAH

READING

PORTOLA

GARNER

BROOKLAND



HANOVER

SHOREBROOK

LEESBURG

ADELAIDE

WESTERLY

ASHLAND



HANOVER PAINTED SAGE, PAINTED BLACK, AND DURAFORM® DRIFT

HANOVER PAINT EXPANSION



With the movement toward contemporary style and multifinish spaces, we're excited to expand our Hanover collection into our painted palette. Create sleek, modern looks when you blend finishes using the clean lines of the Hanover door. While this collection is associated most with contemporary spaces, that's not the only look you can create. Try using this door style in a pop of color with wood accents to give a quaint and nostalgic feel when paired with retro hardware.



BROOKLAND MAPLE LATTE AND PAINTED NAVY

SLAB DRAWER FRONT EXPANSION



We'll always love a five-piece drawer front option, but some customers prefer a sleeker look. We've revamped the Brookland and Glen Ellen collections to include a Slab drawer front as the standard, giving you access to a cleaner look and a lower starting price point for these styles. Our Slab drawer front option is a clean slate to let your customer's personality shine through with finish and hardware selections.

RANGE HOOD PROGRAM

Since the onset of the naturalistic and organic style movement, we've seen a resurgence in cabinetry-style hoods. The use of metal hoods is declining and customers want a warmer focal point. We've revamped our Range Hood program to capture both free-standing Range Hoods that make a statement and cabinet-to-cabinet style Wall Range Hoods for an integrated look. With our new Range Hood offering, we're sure to have the look your customer wants, no matter their style.

RANGE HOODS



WALL RANGE HOODS



HARDWARE REFRESH

Hardware is the finishing touch and jewelry for your customer's space. We've revamped our hardware collection to include a wide range of styles with great new finishes that complement our palette. Remove the guesswork when you add hardware to your design in 2020. The number of pieces needed will auto-calculate and deliver with your customer's order, ready for installation.

A wide range of finishes, including:



SKU UPDATES

You asked, we listened! These latest SKUs were added with your design flexibility in mind. We've increased our Wall, Tall, and Full-Height Base and Filler offering to decrease your design time. These SKUs make using our line for your design a breeze to create beautiful spaces.

WALL CABINETS

| |
|--------------------|
| W3924 X 24 DP (SD) |
| W3936 (SD) |
| W4236 (SD) |
| W3942 (SD) |
| W4242 (SD) |
| W4212 X 24 DP |
| W4812 X 24 DP BUTT |

FULL-HEIGHT BASE CABINETS

| |
|------------------|
| B12 FH 2FWT |
| B12 FH 4FWT |
| B15 FH 2FWT |
| B15 FH 4FWT |
| B21 FH 2FWT |
| B21 FH 4FWT |
| B24 FH |
| B24 FH 2FWT |
| B24 FH 4FWT |
| B27 BUTT FH |
| B27 BUTT FH 2FWT |
| B27 BUTT FH 4FWT |
| B33 BUTT FH |
| B33 BUTT FH 2FWT |
| B33 BUTT FH 4FWT |
| B36 BUTT FH 2FWT |
| B36 BUTT FH 4FWT |

BASE FILLER PULLOUT

BFP6

6" BASE OVERLAY FILLER

BOF6
BOF6 DT

TALL UTILITY CABINETS

12" Wide, 12" Deep

| |
|------------------|
| UT1212 X 90 (SD) |
| UT1212 X 93 (SD) |
| UT1212 X 96 (SD) |

12" Wide, 12" Deep AS

| |
|---------------------|
| UT1212 X 90 AS (SD) |
| UT1212 X 93 AS (SD) |
| UT1212 X 96 AS (SD) |

12" Wide, 24" Deep

| |
|------------------|
| UT1224 X 90 (SD) |
| UT1224 X 93 (SD) |
| UT1224 X 96 (SD) |

12" Wide, 24" Deep AS

| |
|---------------------|
| UT1224 X 90 AS (SD) |
| UT1224 X 93 AS (SD) |
| UT1224 X 96 AS (SD) |

12" Wide, 24" Deep 4ROT

| |
|-----------------------|
| UT1224 X 90 4ROT (SD) |
| UT1224 X 93 4ROT (SD) |
| UT1224 X 96 4ROT (SD) |

21" Wide, 12" Deep

| |
|------------------|
| UT2112 X 84 (SD) |
| UT2112 X 90 (SD) |
| UT2112 X 93 (SD) |
| UT2112 X 96 (SD) |

21" Wide, 12" Deep AS

| |
|---------------------|
| UT2112 X 84 AS (SD) |
| UT2112 X 90 AS (SD) |
| UT2112 X 93 AS (SD) |
| UT2112 X 96 AS (SD) |

21" Wide, 24" Deep

| |
|------------------|
| UT2124 X 84 (SD) |
| UT2124 X 90 (SD) |
| UT2124 X 93 (SD) |
| UT2124 X 96 (SD) |

21" Wide, 24" Deep AS

| |
|---------------------|
| UT2124 X 84 AS (SD) |
| UT2124 X 90 AS (SD) |
| UT2124 X 93 AS (SD) |
| UT2124 X 96 AS (SD) |

TALL UTILITY CABINETS CONT.

21" Wide, 24" Deep 4ROT

| |
|-----------------------|
| UT2124 X 84 4ROT (SD) |
| UT2124 X 90 4ROT (SD) |
| UT2124 X 93 4ROT (SD) |
| UT2124 X 96 4ROT (SD) |

27" Wide, 24" Deep

| |
|-----------------------|
| UT2724 X 84 BUTT (SD) |
| UT2724 X 90 BUTT (SD) |
| UT2724 X 93 BUTT (SD) |
| UT2724 X 96 BUTT (SD) |

27" Wide, 24" Deep AS

| |
|--------------------------|
| UT2724 X 84 AS BUTT (SD) |
| UT2724 X 90 AS BUTT (SD) |
| UT2724 X 93 AS BUTT (SD) |
| UT2724 X 96 AS BUTT (SD) |

27" Wide, 24" Deep 4ROT

| |
|----------------------------|
| UT2724 X 84 4ROT BUTT (SD) |
| UT2724 X 90 4ROT BUTT (SD) |
| UT2724 X 93 4ROT BUTT (SD) |
| UT2724 X 96 4ROT BUTT (SD) |

33" Wide, 24" Deep

| |
|-----------------------|
| UT3324 X 84 BUTT (SD) |
| UT3324 X 90 BUTT (SD) |
| UT3324 X 93 BUTT (SD) |
| UT3324 X 96 BUTT (SD) |

33" Wide, 24" Deep AS

| |
|--------------------------|
| UT3324 X 84 AS BUTT (SD) |
| UT3324 X 90 AS BUTT (SD) |
| UT3324 X 93 AS BUTT (SD) |
| UT3324 X 96 AS BUTT (SD) |

33" Wide, 24" Deep 4ROT

| |
|----------------------------|
| UT3324 X 84 4ROT BUTT (SD) |
| UT3324 X 90 4ROT BUTT (SD) |
| UT3324 X 93 4ROT BUTT (SD) |
| UT3324 X 96 4ROT BUTT (SD) |

33" Wide, 24" Deep 4ROT

| |
|----------------------------|
| UT3324 X 84 4ROT BUTT (SD) |
| UT3324 X 90 4ROT BUTT (SD) |
| UT3324 X 93 4ROT BUTT (SD) |
| UT3324 X 96 4ROT BUTT (SD) |

DMDB REDESIGN

DMDB will now feature a DR24FH for FOL door styles (for better alignment)

Contents

| | | | |
|---|-----|---|-----|
| Warranty | 2 | Base Cabinets | 107 |
| Door Style Collections | 3 | Standard | 108 |
| Door Styles & Finish Availability | 4 | Base with Accessories | 109 |
| Adelaide | 6 | Full-Height Base | 112 |
| Adelaide with Drawer Front Option | 7 | Full-Height Base with Accessories | 113 |
| Ashland | 8 | Sink/Cooktop Base | 115 |
| Brookland | 9 | Sink/Cooktop Front | 117 |
| Brookland w/ DFO | 10 | Sink Base with Factory Installed Accessories | 118 |
| Garner | 11 | Base With Factory Installed Drawer Accessory | 120 |
| Garner with Drawer Front Option | 12 | Drawer Base With Factory Installed Drawer Accessory | 120 |
| Glen Ellen | 13 | Drawer Base | 122 |
| Glen Ellen w/ DFO | 14 | Full-Height Peninsula | 124 |
| Hanover | 15 | Peninsula | 125 |
| Leesburg | 17 | Blind Corner | 126 |
| Leesburg with Drawer Front Option | 19 | Blind Peninsula Corner | 128 |
| MacArthur | 21 | Corner | 129 |
| Portola | 22 | Specialty | 133 |
| Portola with Drawer Front Option | 24 | Accessories | 135 |
| Reading | 25 | Tall Cabinets | 141 |
| Reading with Drawer Front Option | 26 | Utility | 142 |
| San Mateo | 28 | Single Oven | 150 |
| Savannah | 29 | Double Oven | 152 |
| Shorebrook | 30 | Accessories | 154 |
| Westerly | 31 | Desk and Office Cabinets | 157 |
| Standard Cabinet Specifications | 33 | Desk Base | 158 |
| Certification | 34 | Specialty | 160 |
| Cabinet Specifications | 35 | Bookshelves | 160 |
| Finishing Systems | 36 | Accessories | 162 |
| Wood Species & Materials | 37 | Vanity Cabinet | 163 |
| Wall Cabinet Construction | 38 | Standard Height | 164 |
| Base Cabinet Construction | 39 | Base Height | 169 |
| Hardware | 40 | Base Height with Full-Height Door | 169 |
| Cabinet Dimensions | 41 | Specialty | 173 |
| Installation Guidelines | 46 | Vanity Linen | 174 |
| Overlay Dimensions | 48 | Accessories | 176 |
| Construction Options | 49 | Universal Design | 177 |
| Legend | 50 | Base | 178 |
| Legend Examples | 51 | Oven | 180 |
| All Plywood Construction, Plywood Ends and Cabinet Front Only | 52 | Accessories | 180 |
| Construction Comparison and Inverted Frame Option | 53 | Moldings | 181 |
| Void Top Drawer Option, Void Door Option | 54 | Molding Stacks | 182 |
| Premium Finish Option | 55 | Molding | 185 |
| Reduced Depth Option | 56 | Panels & Fillers | 195 |
| Increased Depth Option and Recessed Toe Kick Option | 57 | Panels | 196 |
| Remove CushionClose® | 58 | Toe Kick | 200 |
| Furniture Ends Option, Matching Interior | 59 | Decorator Matching Doors | 201 |
| Specialty Door Options | 60 | Fillers | 203 |
| Specialty Door Availability | 61 | Decorative Blocks | 208 |
| Open Frame Door Option | 62 | Valances | 209 |
| Mullion Frame Door Option | 63 | Corbels | 211 |
| Decorative Glass Inserts | 66 | Legs and Feet | 215 |
| Wall Cabinets | 69 | Posts and Blocks | 218 |
| Standard | 70 | Installation Items | 219 |
| With Spice Rack | 75 | Decorative Hardware | 223 |
| Refrigerator | 76 | Parts Directory | P1 |
| Microwave | 79 | Index | i-x |
| Peninsula | 81 | | |
| Blind | 84 | | |
| Blind Peninsula | 90 | | |
| Corner | 92 | | |
| Wall Top Hinge | 96 | | |
| Wall End Angle | 97 | | |
| Specialty | 98 | | |
| Range Hoods | 101 | | |
| Accessories | 104 | | |

Warranty, Claims & Information

Designer's Choice® Lifetime Limited Warranty

American Woodmark® hereby warrants to the original purchaser, for residential applications only, that all Designer's Choice cabinets and accessories are free from defects in materials and workmanship. This warranty runs for as long as you own your home and begins upon the date of delivery to you. This warranty is expressly limited to repair or replacement of the defective part at the discretion of American Woodmark, and does not include labor for removal or replacement. This warranty does not extend to defects caused by improper handling, storage, installation, assembly or disassembly, intentional damage, product modifications, exposure to the elements including humidity which may result in warping or splitting, accidental misuse, abuse or negligence.

Natural woods may vary in texture, color and wood grain, and exhibit subtle changes as they age. For example, wood joints may eventually have visible cracking around the joint area and cabinet colors may darken or lighten over time. Sunlight, smoke, moisture, household cleaners and other environmental conditions may cause materials to vary from their original color and/or to warp, split or crack. These variations are considered to be the nature of the material in relation to their environmental exposure and are not covered under this warranty.

Additional Limitations and Disclaimers

AMERICAN WOODMARK MAKES NO OTHER WARRANTIES OTHER THAN THOSE SET FORTH HEREIN AND ALL OTHER WARRANTIES ARE HEREBY DISCLAIMED. THE IMPLIED WARRANTIES OF MERCHANTABILITY AND FITNESS FOR PARTICULAR PURPOSE ARE LIMITED IN DURATION TO THE LENGTH OF THE LIMITED WARRANTY PERIOD. THE LIMITED WARRANTIES SET FORTH HEREIN ARE LIMITED TO THE FIRST AND ORIGINAL BUYER AND ARE NOT TRANSFERABLE THEREAFTER. IN NO EVENT SHALL AMERICAN WOODMARK BE LIABLE FOR INCIDENTAL OR CONSEQUENTIAL DAMAGES TO THE PURCHASER OR TO ANY THIRD PARTY, INCLUDING, WITHOUT LIMITATION, DAMAGES ARISING FROM PERSONAL INJURY, LOST PROFITS, LOSS OF BUSINESS OPPORTUNITY, LOSS OF PROPERTY, ECONOMIC LOSSES, OR STATUTORY OR EXEMPLARY DAMAGES, WHETHER FROM NEGLIGENCE, WARRANTY, STRICT LIABILITY OR OTHERWISE. Some states do not allow the exclusion or limitation of incidental or consequential damages, or limitations on how long an implied warranty lasts, so the above limitations and exclusions may not apply to you. This warranty gives you specific legal rights, and you may also have other rights, which vary from state to state.

Claims

All claims for defective cabinets and accessories must be submitted to American Woodmark in writing and must specify the defects present in the cabinets and accessories. After American Woodmark has had an opportunity to inspect the cabinets and accessories, they will, at their discretion, either replace defective cabinets and accessories or repair any defects in the cabinets and accessories. All claims must be submitted to the following address: American Woodmark Claims Department, Post Office Box 1980, Winchester, Virginia 22604.

Information

Please visit resources.woodmarkcabinetry.com for all your designer needs.

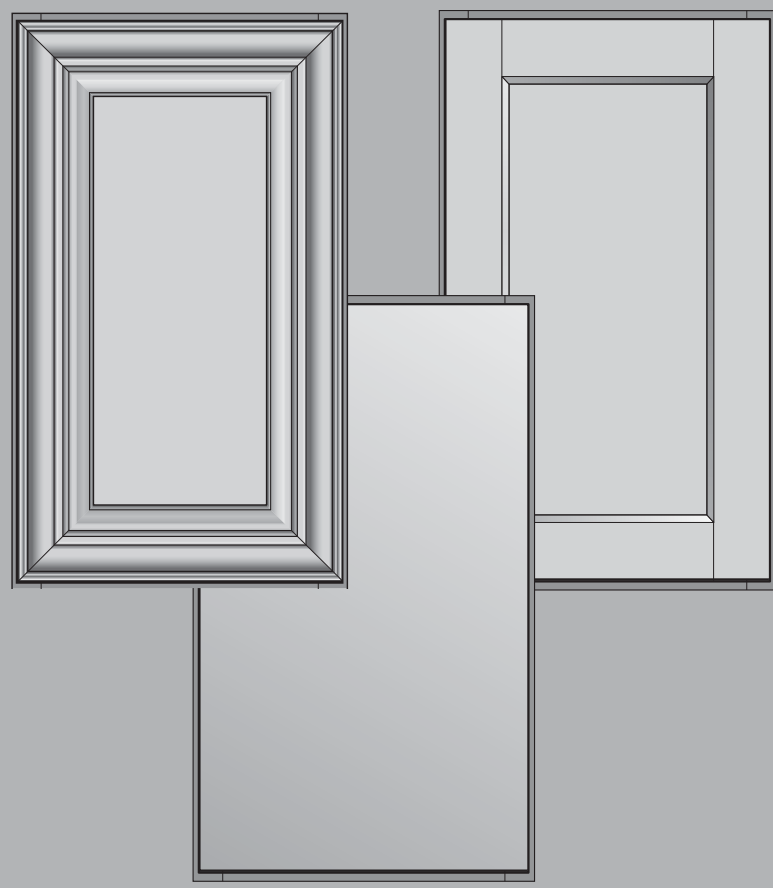
If you would like further clarification about any of our products or processes, please call your exclusive Home Depot Customer Care Professional at **800-677-8182**.

When designing with the American Woodmark Designer's Choice offering, use the **AWCHOICE**, **AWCHOIC2** and **AWCHOIC3** 2020 Catalogs. For the American Woodmark PRO offering, use the **AWPRO** and **AWPRO2** 2020 Catalogs.

CONTINUOUS IMPROVEMENT

In keeping with our policy of continuous product refinement, American Woodmark reserves the right to change specifications in design and materials as conditions require.

Door Style Collections



4 **DOOR STYLES: Door Style & Finish Availability**

| | Adelaide | Adelaide w/ DFO | Ashland | Brookland | Brookland w/ DFO | Garner | Garner w/ DFO | Glen Ellen | Glen Ellen w/ DFO | Hanover |
|-----------------|----------|-----------------|---------|-----------|------------------|--------|---------------|------------|-------------------|---------|
| CHERRY | | | | | | | | | | |
| Java | | | • | • | • | | | | | • |
| Slate | | | • | • | • | | | | | • |
| MAPLE | | | | | | | | | | |
| Cognac | • | • | • | • | • | • | • | | | • |
| Latte | • | • | • | • | • | • | • | | | • |
| Rye | • | • | • | • | • | • | • | | | • |
| Slate | • | • | • | • | • | • | • | | | • |
| Spice | • | • | • | • | • | • | • | | | • |
| Truffle | • | • | • | • | • | • | • | | | • |
| PAINTED* | | | | | | | | | | |
| Biscotti Glaze | • | • | • | • | • | • | • | | | |
| Black | • | • | • | • | • | • | • | | | • |
| Boulder | • | • | • | • | • | • | • | | | • |
| Ember Glaze | • | • | • | • | • | • | • | | | |
| Harbor | • | • | • | • | • | • | • | | | • |
| Linen | • | • | • | • | • | • | • | | | • |
| Navy | • | • | • | • | • | • | • | | | • |
| Pewter Glaze | • | • | • | • | • | • | • | | | |
| Sage | • | • | • | • | • | • | • | | | • |
| Stone | • | • | • | • | • | • | • | | | • |
| Vanilla | • | • | • | • | • | • | • | | | • |
| DURAFORM | | | | | | | | | | |
| Breeze | | | | | | | | | | • |
| Drift | | | | | | | | | | • |
| Espresso | | | | • | • | | | • | • | • |
| Harbor | | | | • | • | | | • | • | |
| Linen | | | | • | • | | | • | • | |
| Stone | | | | • | • | | | • | • | |

*Premium Finish

| | Leesburg | Leesburg w/ DFO | MacArthur | Portola | Portola w/ DFO | Reading | Reading w/ DFO | San Mateo | Savannah | Shorebrook | Westerly |
|-----------------|----------|-----------------|-----------|---------|----------------|---------|----------------|-----------|----------|------------|----------|
| CHERRY | | | | | | | | | | | |
| Java | • | • | • | • | • | • | • | | • | | |
| Slate | • | • | • | • | • | • | • | | • | | |
| MAPLE | | | | | | | | | | | |
| Cognac | • | • | • | • | • | • | • | | • | • | • |
| Latte | • | • | • | • | • | • | • | | • | • | • |
| Rye | • | • | • | • | • | • | • | | • | • | • |
| Slate | • | • | • | • | • | • | • | | • | • | • |
| Spice | • | • | • | • | • | • | • | | • | • | • |
| Truffle | • | • | • | • | • | • | • | | • | • | • |
| PAINTED* | | | | | | | | | | | |
| Biscotti Glaze | | | • | • | • | | | | • | | • |
| Black | • | • | • | • | • | • | • | | • | • | • |
| Boulder | • | • | • | • | • | • | • | | • | • | • |
| Ember Glaze | | | • | • | • | | | | • | | • |
| Harbor | • | • | • | • | • | • | • | | • | • | • |
| Linen | • | • | • | • | • | • | • | | • | • | • |
| Navy | • | • | • | • | • | • | • | | • | • | • |
| Pewter Glaze | | | • | • | • | | | | • | | • |
| Sage | • | • | • | • | • | • | • | | • | • | • |
| Stone | • | • | • | • | • | • | • | | • | • | • |
| Vanilla | • | • | • | • | • | • | • | | • | • | • |
| DURAFORM | | | | | | | | | | | |
| Breeze | | | | | | | • | | | | |
| Drift | | | | | | | • | | | | |
| Espresso | • | • | | | | | | • | | | |
| Harbor | • | • | | | | | | • | | | |
| Linen | • | • | | • | | | | • | | | |
| Stone | • | • | | | | | | • | | | |

*Premium Finish



Door



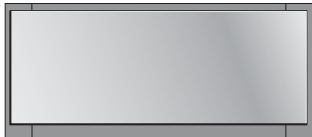
Door Cross Section



Kneehole Drawer Front



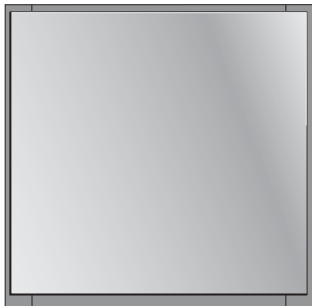
Kneehole Drawer Cross Section



Standard Drawer Front



Standard Drawer Cross Section



Large Drawer Front



Large Drawer Cross Section

NEW! FINISHES

Adelaide Collection

Maple, Painted

Door Style Details:

| | |
|-------------------------------------|--|
| Species: | Maple, Painted |
| Door Description: | Recessed Panel |
| Door Rail & Stile Width: | 2¼" |
| Drawer Description: | Slab |
| Overlay: | Full Overlay Door (FOL) |
| Tall Door Details: | Horizontal Center Rail on 50" High Doors |
| Hinge: | Deep Full Overlay |
| Hardware: | Requires Decorative Hardware |

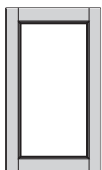
Available Finishes:

| MAPLE | FINISH | STYLE CODE |
|----------|-----------------------|--------------|
| | Cognac | 74MRS |
| | Latte | 74GAS |
| | Rye | 74MTS |
| | Slate | 74GES |
| | Spice | 74MSS |
| | Truffle | 74MBS |
| PAINTED* | FINISH | STYLE CODE |
| | Biscotti Glaze | 74FVF |
| | Black | 74FDS |
| | Boulder | 74MIS |
| | Ember Glaze | 74MKO |
| | Harbor | 74MKS |
| | Linen | 74MPS |
| | Navy | 74FBS |
| | Pewter Glaze | 74MPQ |
| | Sage | 74FCS |
| | Stone | 74MYS |
| | Vanilla | 74FVS |

*Premium finish

Specialty Doors (SD) Available for this Door Style:

See page 60 for details and restrictions.



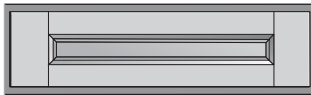
OFD



Door



Door Cross Section



Kneehole Drawer Front



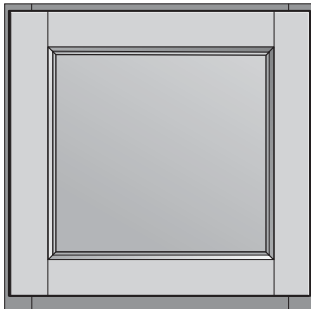
Kneehole Drawer Cross Section



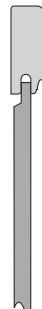
Standard Drawer Front



Standard Drawer Cross Section



Large Drawer Front



Large Drawer Cross Section

NEW! FINISHES

Adelaide w/ DFO Collection

Maple, Painted

Door Style Details:

| | |
|-------------------------------------|--|
| Species: | Maple, Painted |
| Door Description: | Recessed Panel |
| Door Rail & Stile Width: | 2¼" |
| Drawer Description: | 5-Piece with Recessed Panel |
| Overlay: | Full Overlay Door (FOL) |
| Tall Door Details: | Horizontal Center Rail on 50" High Doors |
| Hinge: | Deep Full Overlay |
| Hardware: | Requires Decorative Hardware |

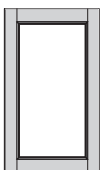
Available Finishes:

| MAPLE | FINISH | STYLE CODE |
|----------|-----------------------|--------------|
| | Cognac | 75MRS |
| | Latte | 75GAS |
| | Rye | 75MTS |
| | Slate | 75GES |
| | Spice | 75MSS |
| | Truffle | 75MBS |
| PAINTED* | FINISH | STYLE CODE |
| | Biscotti Glaze | 75FVF |
| | Black | 75FDS |
| | Boulder | 75MIS |
| | Ember Glaze | 75MKO |
| | Harbor | 75MKS |
| | Linen | 75MPS |
| | Navy | 75FBS |
| | Pewter Glaze | 75MPQ |
| | Sage | 75FCS |
| | Stone | 75MYS |
| | Vanilla | 75FVS |

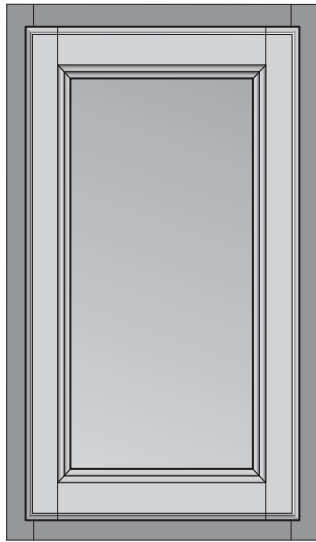
*Premium finish

Specialty Doors (SD) Available for this Door Style:

See page 60 for details and restrictions.



OFD



Door



Door Cross Section



Kneehole Drawer Front



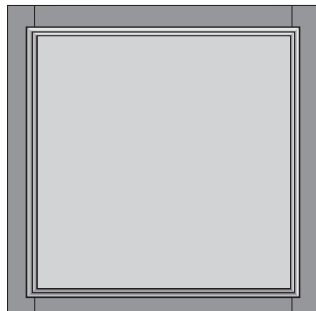
Kneehole Drawer Cross Section



Standard Drawer Front



Standard Drawer Cross Section



Large Drawer Front



Large Drawer Cross Section

NEW! FINISHES

Ashland Collection

Cherry, Maple, Painted

Door Style Details:

| | |
|-------------------------------------|--|
| Species: | Cherry, Maple, Painted |
| Door Description: | Recessed Panel |
| Door Rail & Stile Width: | 2¼" |
| Drawer Description: | Detailed Slab |
| Overlay: | Partial Overlay Door (POL) |
| Tall Door Details: | Horizontal Center Rail on 50" High Doors |
| Hinge: | Partial Overlay |
| Hardware: | Decorative Hardware Strongly Recommended |

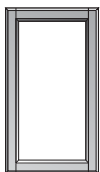
Available Finishes:

| CHERRY | FINISH | STYLE CODE |
|----------|-----------------------|------------|
| | Java | Y6K |
| | Slate | Y6E |
| MAPLE | FINISH | STYLE CODE |
| | Cognac | Y3R |
| | Latte | Y5A |
| | Rye | Y3T |
| | Slate | Y5E |
| | Spice | Y3S |
| | Truffle | Y3B |
| PAINTED* | FINISH | STYLE CODE |
| | Biscotti Glaze | Y5F |
| | Black | Y5D |
| | Boulder | Y3I |
| | Ember Glaze | Y3O |
| | Harbor | Y3K |
| | Linen | Y3P |
| | Navy | Y5B |
| | Pewter Glaze | Y3Q |
| | Sage | Y5C |
| | Stone | Y3Y |
| | Vanilla | Y5V |

*Premium finish

Specialty Doors (SD) Available for this Door Style:

See page 60 for details and restrictions.



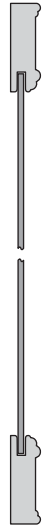
OFD



MFD



Door



Door Cross Section



Kneehole Drawer Front



Kneehole Drawer Cross Section



Standard Drawer Front



Standard Drawer Cross Section



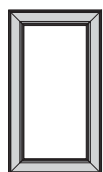
Large Drawer Front



Large Drawer Cross Section

Specialty Doors (SD) Available for this Door Style:

See page 60 for details and restrictions.



OFD



MFD**

**Not available in Duraform

NEW! DOOR STYLE

Brookland Collection

Cherry, Maple, Painted, Duraform

Door Style Details:

| | |
|-------------------------------------|--|
| Species: | Cherry, Maple, Painted, Duraform (Polypropylene) |
| Door Description: | Mitered with Recessed Panel |
| Door Rail & Stile Width: | 2¼" |
| Drawer Description: | Slab |
| Overlay: | Full Overlay Door (FOL) |
| Tall Door Details: | No Horizontal Center Rail on 50" High Doors |
| Hinge: | Deep Full Overlay |
| Hardware: | Requires Decorative Hardware |

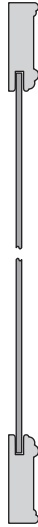
Available Finishes:

| CHERRY | FINISH | STYLE CODE |
|----------|----------------|------------|
| | Java | 20CKS |
| | Slate | 20CES |
| MAPLE | FINISH | STYLE CODE |
| | Cognac | 20MRS |
| | Latte | 20GAS |
| | Rye | 20MTS |
| | Slate | 20GES |
| | Spice | 20MSS |
| | Truffle | 20MBS |
| PAINTED* | FINISH | STYLE CODE |
| | Biscotti Glaze | 20FVF |
| | Black | 20FDS |
| | Boulder | 20MIS |
| | Ember Glaze | 20MKO |
| | Harbor | 20MKS |
| | Linen | 20MPS |
| | Navy | 20FBS |
| | Pewter Glaze | 20MPQ |
| | Sage | 20FCS |
| | Stone | 20MYS |
| | Vanilla | 20FVS |
| DURAFORM | FINISH | STYLE CODE |
| | Espresso | 20EJS |
| | Harbor | 20EKS |
| | Linen | 20EPS |
| | Stone | 20EYS |

*Premium finish



Door



Door Cross Section



Kneehole Drawer Front (Cherry, Maple, Painted)



Kneehole Drawer Cross Section



Kneehole Drawer Front (Duraform)



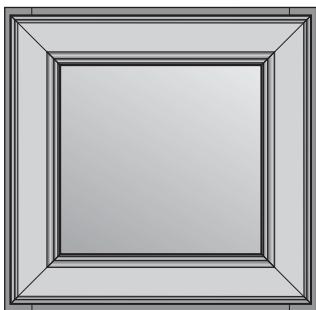
Kneehole Drawer Cross Section



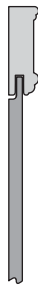
Standard Drawer Front



Standard Drawer Cross Section



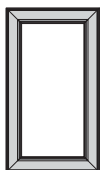
Large Drawer Front



Large Drawer Cross Section

Specialty Doors (SD) Available for this Door Style:

See page 60 for details and restrictions.



OFD



MFD**

**Not available in Duraform

NEW!

FINISHES

UPDATE!

RENAME

Brookland w/ DFO Collection

Cherry, Maple, Painted, Duraform

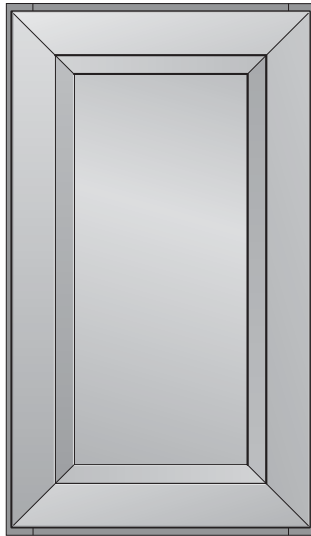
Door Style Details:

| | |
|-------------------------------------|--|
| Species: | Cherry, Maple, Painted, Duraform (Polypropylene) |
| Door Description: | Mitered with Recessed Panel |
| Door Rail & Stile Width: | 2¼" |
| Drawer Description: | Mitered 5-Piece with Recessed Panel |
| Overlay: | Full Overlay Door (FOL) |
| Tall Door Details: | No Horizontal Center Rail on 50" High Doors |
| Hinge: | Deep Full Overlay |
| Hardware: | Requires Decorative Hardware |

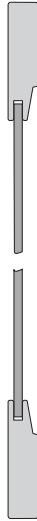
Available Finishes:

| CHERRY | FINISH | STYLE CODE |
|----------|----------------|------------|
| | Java | 30CKS |
| | Slate | 30CES |
| MAPLE | FINISH | STYLE CODE |
| | Cognac | 30MRS |
| | Latte | 30GAS |
| | Rye | 30MTS |
| | Slate | 30GES |
| | Spice | 30MSS |
| | Truffle | 30MBS |
| PAINTED* | FINISH | STYLE CODE |
| | Biscotti Glaze | 30FVF |
| | Black | 30FDS |
| | Boulder | 30MIS |
| | Ember Glaze | 30MKO |
| | Harbor | 30MKS |
| | Linen | 30MPS |
| | Navy | 30FBS |
| | Pewter Glaze | 30MPQ |
| | Sage | 30FCS |
| | Stone | 30MYS |
| | Vanilla | 30FVS |
| DURAFORM | FINISH | STYLE CODE |
| | Espresso | 30EJS |
| | Harbor | 30EKS |
| | Linen | 30EPS |
| | Stone | 30EYS |

*Premium finish



Door



Door Cross Section



Kneehole Drawer Front



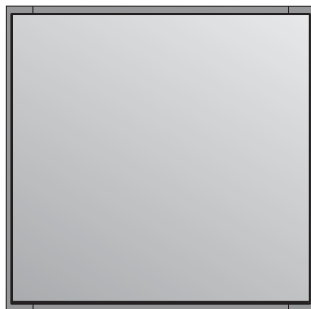
Kneehole Drawer Cross Section



Standard Drawer Front



Standard Drawer Cross Section



Large Drawer Front



Large Drawer Cross Section

NEW! FINISHES

Garner Collection

Maple, Painted

Door Style Details:

| | |
|-------------------------------------|---|
| Species: | Maple, Painted |
| Door Description: | Mitered with Recessed Panel |
| Door Rail & Stile Width: | 3" |
| Drawer Description: | Slab |
| Overlay: | Full Overlay Door (FOL) |
| Tall Door Details: | No Horizontal Center Rail on 50" High Doors |
| Hinge: | Deep Full Overlay |
| Hardware: | Requires Decorative Hardware |

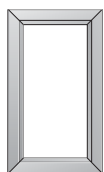
Available Finishes:

| MAPLE | FINISH | STYLE CODE |
|----------|-----------------------|--------------|
| | Cognac | 57MRS |
| | Latte | 57GAS |
| | Rye | 57MTS |
| | Slate | 57GES |
| | Spice | 57MSS |
| | Truffle | 57MBS |
| PAINTED* | FINISH | STYLE CODE |
| | Biscotti Glaze | 57FVF |
| | Black | 57FDS |
| | Boulder | 57MIS |
| | Ember Glaze | 57MKO |
| | Harbor | 57MKS |
| | Linen | 57MPS |
| | Navy | 57FBS |
| | Pewter Glaze | 57MPQ |
| | Sage | 57FCS |
| | Stone | 57MYS |
| | Vanilla | 57FVS |

*Premium finish

Specialty Doors (SD) Available for this Door Style:

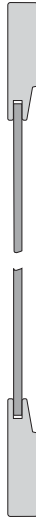
See page 60 for details and restrictions.



OFD



Door



Door Cross Section



Kneehole Drawer Front



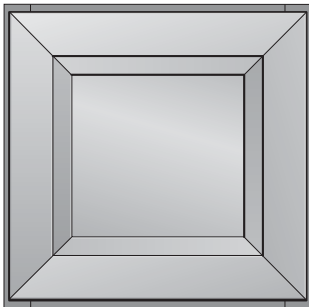
Kneehole Drawer Cross Section



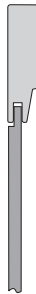
Standard Drawer Front



Standard Drawer Cross Section



Large Drawer Front



Large Drawer Cross Section

NEW! FINISHES

Garner w/ DFO Collection

Maple, Painted

Door Style Details:

| | |
|-------------------------------------|---|
| Species: | Maple, Painted |
| Door Description: | Mitered with Recessed Panel |
| Door Rail & Stile Width: | 3" |
| Drawer Description: | Mitered 5-Piece with Recessed Panel |
| Overlay: | Full Overlay Door (FOL) |
| Tall Door Details: | No Horizontal Center Rail on 50" High Doors |
| Hinge: | Deep Full Overlay |
| Hardware: | Requires Decorative Hardware |

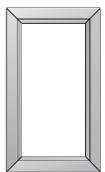
Available Finishes:

| MAPLE | FINISH | STYLE CODE |
|----------|----------------|------------|
| | Cognac | 58MRS |
| | Latte | 58GAS |
| | Rye | 58MTS |
| | Slate | 58GES |
| | Spice | 58MSS |
| | Truffle | 58MBS |
| PAINTED* | FINISH | STYLE CODE |
| | Biscotti Glaze | 58FVF |
| | Black | 58FDS |
| | Boulder | 58MIS |
| | Ember Glaze | 58MKO |
| | Harbor | 58MKS |
| | Linen | 58MPS |
| | Navy | 58FBS |
| | Pewter Glaze | 58MPQ |
| | Sage | 58FCS |
| | Stone | 58MYS |
| | Vanilla | 58FVS |

*Premium finish

Specialty Doors (SD) Available for this Door Style:

See page 60 for details and restrictions.



OFD

NEW! DOOR STYLE

Glen Ellen Collection

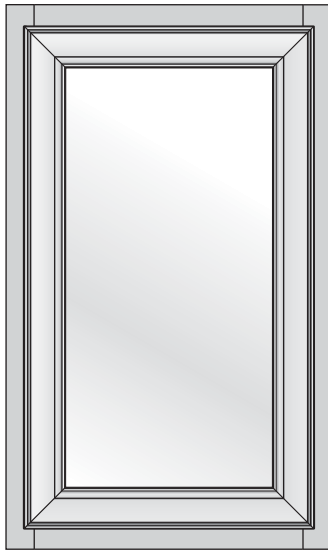
Duraform

Door Style Details:

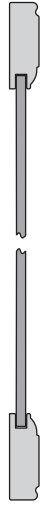
| | |
|-------------------------------------|---|
| Species: | Duraform (Polypropylene-wrapped) |
| Door Description: | Mitered with Recessed Panel |
| Door Rail & Stile Width: | 2¼" |
| Drawer Description: | Slab |
| Overlay: | Partial Overlay Door (POL) |
| Tall Door Details: | No Horizontal Center Rail on 50" High Doors |
| Hinge: | Partial Overlay |
| Hardware: | Decorative Hardware Strongly Recommended |

Available Finishes:

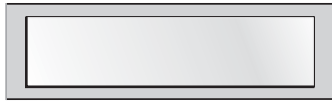
| DURAFORM | FINISH | STYLE CODE |
|----------|----------|------------|
| | Espresso | 08EJS |
| | Harbor | 08EKS |
| | Linen | 08EPS |
| | Stone | 08EYS |



Door



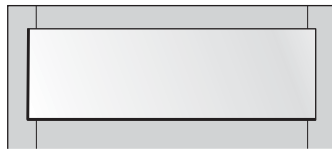
Door Cross Section



Kneehole Drawer Front



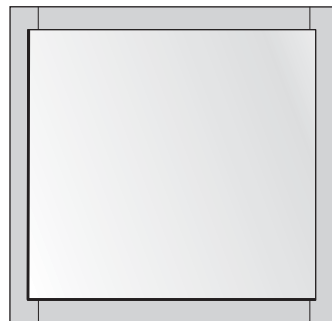
Kneehole Drawer Cross Section



Standard Drawer Front



Standard Drawer Cross Section



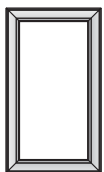
Large Drawer Front



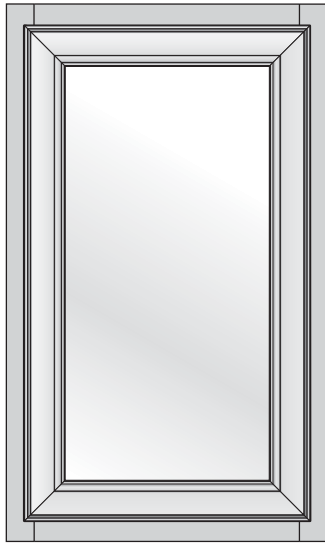
Large Drawer Cross Section

Specialty Doors (SD) Available for this Door Style:

See page 60 for details and restrictions.



OFD



Door



Door Cross Section



Kneehole Drawer Front



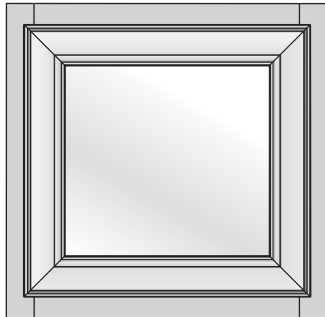
Kneehole Drawer Cross Section



Standard Drawer Front



Standard Drawer Cross Section



Large Drawer Front



Large Drawer Cross Section

UPDATE! RENAME

Glen Ellen w/ DFO Collection

Duraform

Door Style Details:

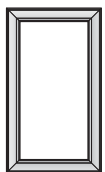
| | |
|-------------------------------------|---|
| Species: | Duraform (Polypropylene-wrapped) |
| Door Description: | Mitered with Recessed Panel |
| Door Rail & Stile Width: | 2¼" |
| Drawer Description: | 5-Piece with Recessed Panel |
| Overlay: | Partial Overlay Door (POL) |
| Tall Door Details: | No Horizontal Center Rail on 50" High Doors |
| Hinge: | Partial Overlay |
| Hardware: | Decorative Hardware Strongly Recommended |

Available Finishes:

| DURAFORM | FINISH | STYLE CODE |
|----------|----------|------------|
| | Espresso | 18EJS |
| | Harbor | 18EKS |
| | Linen | 18EPS |
| | Stone | 18EYS |

Specialty Doors (SD) Available for this Door Style:

See page 60 for details and restrictions.



OFD



Door



Door Cross Section



Kneehole Drawer Front



Kneehole Drawer Cross Section



Standard Drawer Front



Standard Drawer Cross Section



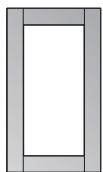
Large Drawer Front



Large Drawer Cross Section

Specialty Doors (SD) Available for this Door Style:

See page 60 for details and restrictions.



OFD

NEW!

SPECIES

NEW!

FINISH

Hanover Collection

Cherry, Maple, **Painted**, Duraform

Door Style Details:

| | |
|-------------------------------------|---|
| Species: | Cherry, Maple, Painted Duraform (Polypropylene) |
| Door Description: | Slab* |
| Door Rail & Stile Width: | 3" (on OFD doors) |
| Drawer Description: | Slab* |
| Overlay: | Full Overlay Door (FOL) |
| Tall Door Details: | No Horizontal Center Rail on 50" High Doors |
| Hinge: | Deep Full Overlay |
| Hardware: | Requires Decorative Hardware |

*Stained and Duraform finishes feature edge-banding on all sides

Available Finishes:

| CHERRY | FINISH | STYLE CODE |
|----------|----------------|--------------|
| | Java | 39CKS |
| | Slate | 39CES |
| MAPLE | FINISH | STYLE CODE |
| | Cognac | 39MRS |
| | Latte | 39GAS |
| | Rye | 39MTS |
| | Slate | 39GES |
| | Spice | 39MSS |
| | Truffle | 39MBS |
| PAINTED* | FINISH | STYLE CODE |
| | Black | 39FDS |
| | Boulder | 39MIS |
| | Harbor | 39MKS |
| | Linen | 39MPS |
| | Navy | 39FBS |
| | Sage | 39FCS |
| | Stone | 39MYS |
| | Vanilla | 39FVS |
| DURAFORM | FINISH | STYLE CODE |
| | Espresso | 39EJS |

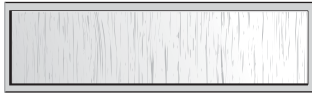
*Premium finish



Door



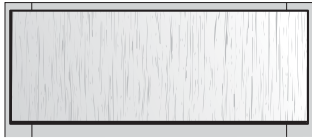
Door Cross Section



Kneehole Drawer Front



Kneehole Drawer Cross Section



Standard Drawer Front



Standard Drawer Cross Section



Large Drawer Front



Large Drawer Cross Section

Hanover Collection

Duraform

Door Style Details:

| | |
|-------------------------------------|---|
| Species: | Duraform (Textured PVC) |
| Door Description: | Slab with Edge Banding |
| Door Rail & Stile Width: | 3" (on OFD doors) |
| Drawer Description: | Slab with Edge Banding |
| Overlay: | Full Overlay Door (FOL) |
| Tall Door Details: | No Horizontal Center Rail on 50" High Doors |
| Hinge: | Deep Full Overlay |
| Hardware: | Requires Decorative Hardware |

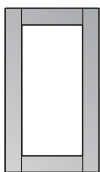
Available Finishes:

| DURAFORM | FINISH | BOX FINISH* | STYLE CODE |
|----------|--------|-------------|------------|
| | Breeze | Linen | 39EPA |
| | Drift | Harbor | 39EKB |

*Doors, Drawer Fronts and select SKUs (___DT) are Textured Duraform. All other finished cabinet and accessory surfaces will be in the indicated box finish above.

Specialty Doors (SD) Available for this Door Style:

See page 60 for details and restrictions.



OFD



Door



Door Cross Section



Kneehole Drawer Front



Kneehole Drawer Cross Section



Standard Drawer Front



Standard Drawer Cross Section



Large Drawer Front



Large Drawer Cross Section

NEW! FINISHES

Leesburg Collection

Cherry, Maple, Painted

Door Style Details:

| | |
|-------------------------------------|--|
| Species: | Cherry, Maple, Painted |
| Door Description: | Recessed Panel |
| Door Rail & Stile Width: | 2¼" |
| Drawer Description: | Slab |
| Overlay: | Full Overlay Door (FOL) |
| Tall Door Details: | Horizontal Center Rail on 50" High Doors |
| Hinge: | Deep Full Overlay |
| Hardware: | Requires Decorative Hardware |

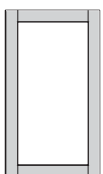
Available Finishes:

| CHERRY | FINISH | STYLE CODE |
|----------|---------|------------|
| | Java | 28CKS |
| | Slate | 28CES |
| MAPLE | FINISH | STYLE CODE |
| | Cognac | 28MRS |
| | Latte | 28GAS |
| | Rye | 28MTS |
| | Slate | 28GES |
| | Spice | 28MSS |
| | Truffle | 28MBS |
| PAINTED* | FINISH | STYLE CODE |
| | Black | 28FDS |
| | Boulder | 28MIS |
| | Harbor | 28MKKS |
| | Linen | 28MPS |
| | Navy | 28FBS |
| | Sage | 28FCS |
| | Stone | 28MYS |
| | Vanilla | 28FVS |

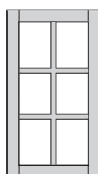
*Premium finish

Specialty Doors (SD) Available for this Door Style:

See page 60 for details and restrictions.



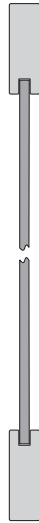
OFD



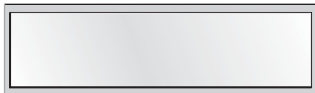
MFD



Door



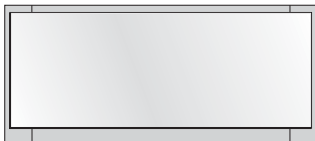
Door Cross Section



Kneehole Drawer Front



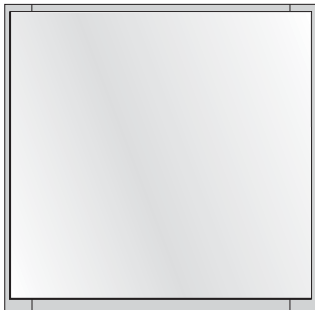
Kneehole Drawer Cross Section



Standard Drawer Front



Standard Drawer Cross Section



Large Drawer Front



Large Drawer Cross Section

Leesburg Collection

Duraform

Door Style Details:

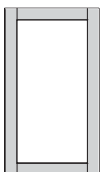
| | |
|-------------------------------------|---|
| Species: | Duraform (Polypropylene) |
| Door Description: | Recessed Panel |
| Door Rail & Stile Width: | 2¼" |
| Drawer Description: | Slab |
| Overlay: | Full Overlay Door (FOL) |
| Tall Door Details: | No Horizontal Center Rail on 50" High Doors |
| Hinge: | Deep Full Overlay |
| Hardware: | Requires Decorative Hardware |

Available Finishes:

| DURAFORM | FINISH | STYLE CODE |
|----------|----------|------------|
| | Espresso | 28EJS |
| | Harbor | 28EKS |
| | Linen | 28EPS |
| | Stone | 28EYS |

Specialty Doors (SD) Available for this Door Style:

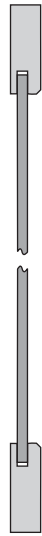
See page 60 for details and restrictions.



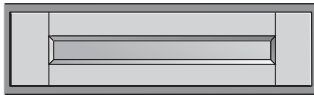
OFD



Door



Door Cross Section



Kneehole Drawer Front



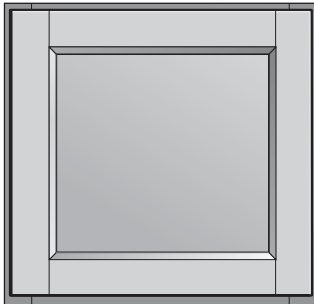
Kneehole Drawer Cross Section



Standard Drawer Front



Standard Drawer Cross Section



Large Drawer Front



Large Drawer Cross Section

NEW! FINISHES

Leesburg w/ DFO Collection

Cherry, Maple, Painted

Door Style Details:

| | |
|-------------------------------------|--|
| Species: | Cherry, Maple, Painted |
| Door Description: | Recessed Panel |
| Door Rail & Stile Width: | 2¼" |
| Drawer Description: | 5-Piece with Recessed Panel |
| Overlay: | Full Overlay Door (FOL) |
| Tall Door Details: | Horizontal Center Rail on 50" High Doors |
| Hinge: | Deep Full Overlay |
| Hardware: | Requires Decorative Hardware |

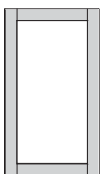
Available Finishes:

| CHERRY | FINISH | STYLE CODE |
|----------|---------|------------|
| | Java | 29CKS |
| | Slate | 29CES |
| MAPLE | FINISH | STYLE CODE |
| | Cognac | 29MRS |
| | Latte | 29GAS |
| | Rye | 29MTS |
| | Slate | 29GES |
| | Spice | 29MSS |
| | Truffle | 29MBS |
| PAINTED* | FINISH | STYLE CODE |
| | Black | 29FDS |
| | Boulder | 29MIS |
| | Harbor | 29MKS |
| | Linen | 29MPS |
| | Navy | 29FBS |
| | Sage | 29FCS |
| | Stone | 29MYS |
| | Vanilla | 29FVS |

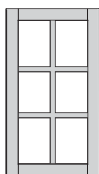
*Premium finish

Specialty Doors (SD) Available for this Door Style:

See page 60 for details and restrictions.



OFD



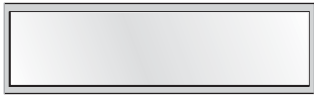
MFD



Door



Door Cross Section



Kneehole Drawer Front



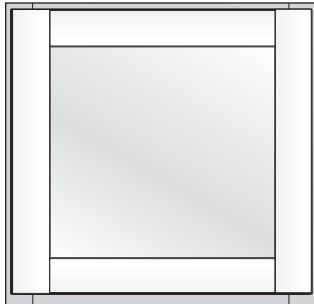
Kneehole Drawer Cross Section



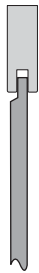
Standard Drawer Front



Standard Drawer Cross Section



Large Drawer Front



Large Drawer Cross Section

Leesburg w/ DFO Collection

Duraform

Door Style Details:

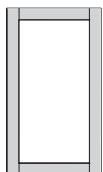
| | |
|-------------------------------------|---|
| Species: | Duraform (Polypropylene) |
| Door Description: | Recessed Panel |
| Door Rail & Stile Width: | 2¼" |
| Drawer Description: | 5-Piece with Recessed Panel |
| Overlay: | Full Overlay Door (FOL) |
| Tall Door Details: | No Horizontal Center Rail on 50" High Doors |
| Hinge: | Deep Full Overlay |
| Hardware: | Requires Decorative Hardware |

Available Finishes:

| DURAFORM | FINISH | STYLE CODE |
|----------|----------|------------|
| | Espresso | 29EJS |
| | Harbor | 29EKS |
| | Linen | 29EPS |
| | Stone | 29EYS |

Specialty Doors (SD) Available for this Door Style:

See page 60 for details and restrictions.



OFD



Door



Door Cross Section



Kneehole Drawer Front



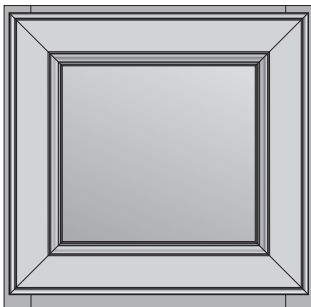
Kneehole Drawer Cross Section



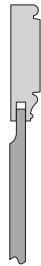
Standard Drawer Front



Standard Drawer Cross Section



Large Drawer Front



Large Drawer Cross Section

NEW! FINISHES

MacArthur Collection

Cherry, Maple, Painted

Door Style Details:

| | |
|-------------------------------------|---|
| Species: | Cherry, Maple, Painted |
| Door Description: | Mitered with Recessed Panel |
| Door Rail & Stile Width: | 3" |
| Drawer Description: | Mitered 5-Piece with Recessed Panel |
| Overlay: | Full Overlay Door (FOL) |
| Tall Door Details: | No Horizontal Center Rail on 50" High Doors |
| Hinge: | Full Overlay |
| Hardware: | Requires Decorative Hardware |

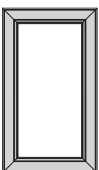
Available Finishes:

| CHERRY | FINISH | STYLE CODE |
|----------|----------------|------------|
| | Java | 54CKS |
| | Slate | 54CES |
| MAPLE | FINISH | STYLE CODE |
| | Cognac | 54MRS |
| | Latte | 54GAS |
| | Rye | 54MTS |
| | Slate | 54GES |
| | Spice | 54MSS |
| | Truffle | 54MBS |
| PAINTED* | FINISH | STYLE CODE |
| | Biscotti Glaze | 54FVF |
| | Black | 54FDS |
| | Boulder | 54MIS |
| | Ember Glaze | 54MKO |
| | Harbor | 54MKS |
| | Linen | 54MPS |
| | Navy | 54FBS |
| | Pewter Glaze | 54MPQ |
| | Sage | 54FCS |
| | Stone | 54MYS |
| | Vanilla | 54FVS |

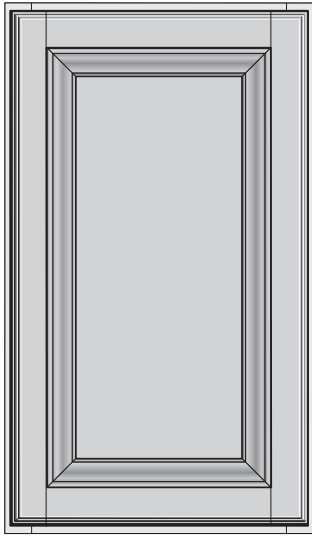
*Premium finish

Specialty Doors (SD) Available for this Door Style:

See page 60 for details and restrictions.



OFD



Door



Door Cross Section



Kneehole Drawer Front



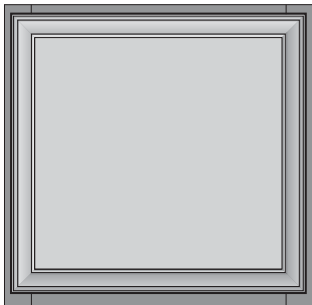
Kneehole Drawer Cross Section



Standard Drawer Front



Standard Drawer Cross Section



Large Drawer Front



Large Drawer Cross Section

NEW! FINISHES

Portola Collection

Cherry, Maple, Painted

Door Style Details:

| | |
|-------------------------------------|--|
| Species: | Cherry, Maple, Painted |
| Door Description: | Raised Panel |
| Door Rail & Stile Width: | 2¼" |
| Drawer Description: | Detailed Slab |
| Overlay: | Full Overlay Door (FOL) |
| Tall Door Details: | Horizontal Center Rail on 50" High Doors |
| Hinge: | Full Overlay |
| Hardware: | Requires Decorative Hardware |

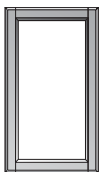
Available Finishes:

| CHERRY | FINISH | STYLE CODE |
|----------|----------------|------------|
| | Java | 44CKS |
| | Slate | 44CES |
| MAPLE | FINISH | STYLE CODE |
| | Cognac | 44MRS |
| | Latte | 44GAS |
| | Rye | 44MTS |
| | Slate | 44GES |
| | Spice | 44MSS |
| | Truffle | 44MBS |
| PAINTED* | FINISH | STYLE CODE |
| | Biscotti Glaze | 44FVF |
| | Black | 44FDS |
| | Boulder | 44MIS |
| | Ember Glaze | 44MKO |
| | Harbor | 44MKS |
| | Linen | 44MPS |
| | Navy | 44FBS |
| | Pewter Glaze | 44MPQ |
| | Sage | 44FCS |
| | Stone | 44MYS |
| | Vanilla | 44FVS |

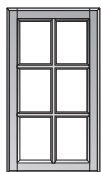
*Premium finish

Specialty Doors (SD) Available for this Door Style:

See page 60 for details and restrictions.



OFD



MFD

Portola Collection

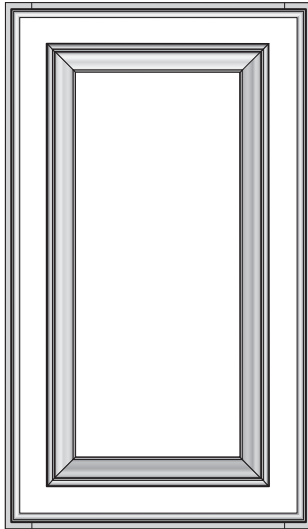
Duraform

Door Style Details:

| | |
|-------------------------------------|---|
| Species: | Duraform (Thermofoil) |
| Door Description: | Raised Panel |
| Door Rail & Stile Width: | 2¼" |
| Drawer Description: | Detailed Slab |
| Overlay: | Full Overlay Door (FOL) |
| Tall Door Details: | No Horizontal Center Rail on 50" High Doors |
| Hinge: | Full Overlay |
| Hardware: | Requires Decorative Hardware |

Available Finishes:

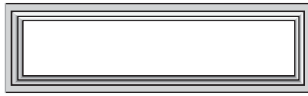
| DURAFORM | FINISH | STYLE CODE |
|----------|--------|------------|
| | Linen | I5W |



Door



Door Cross Section



Kneehole Drawer Front



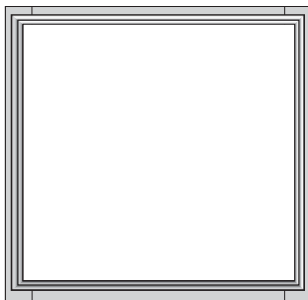
Kneehole Drawer Cross Section



Standard Drawer Front



Standard Drawer Cross Section



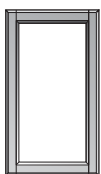
Large Drawer Front



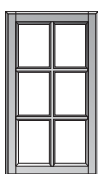
Large Drawer Cross Section

Specialty Doors (SD) Available for this Door Style:

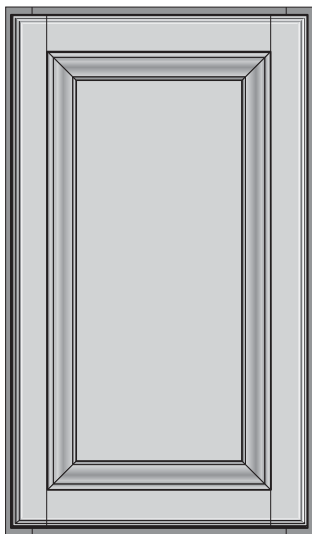
See page 60 for details and restrictions.



OFD



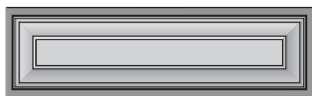
MFD



Door



Door Cross Section



Kneehole Drawer Front



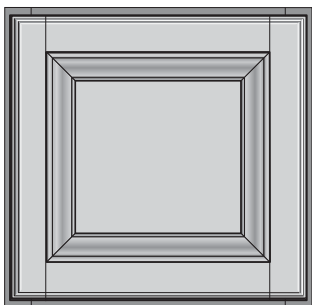
Kneehole Drawer Cross Section



Standard Drawer Front



Standard Drawer Cross Section



Large Drawer Front



Large Drawer Cross Section

NEW! FINISHES

Portola w/ DFO Collection

Cherry, Maple, Painted

Door Style Details:

| | |
|-------------------------------------|--|
| Species: | Cherry, Maple, Painted |
| Door Description: | Raised Panel |
| Door Rail & Stile Width: | 2¼" |
| Drawer Description: | 5-Piece with Raised Panel |
| Overlay: | Full Overlay Door (FOL) |
| Tall Door Details: | Horizontal Center Rail on 50" High Doors |
| Hinge: | Full Overlay |
| Hardware: | Requires Decorative Hardware |

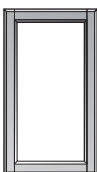
Available Finishes:

| CHERRY | FINISH | STYLE CODE |
|----------|----------------|------------|
| | Java | 47CKS |
| | Slate | 47CES |
| MAPLE | FINISH | STYLE CODE |
| | Cognac | 47MRS |
| | Latte | 47GAS |
| | Rye | 47MTS |
| | Slate | 47GES |
| | Spice | 47MSS |
| | Truffle | 47MBS |
| PAINTED* | FINISH | STYLE CODE |
| | Biscotti Glaze | 47FVF |
| | Black | 47FDS |
| | Boulder | 47MIS |
| | Ember Glaze | 47MKO |
| | Harbor | 47MKS |
| | Linen | 47MPS |
| | Navy | 47FBS |
| | Pewter Glaze | 47MPQ |
| | Sage | 47FCS |
| | Stone | 47MYS |
| | Vanilla | 47FVS |

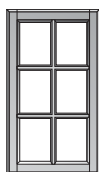
*Premium finish

Specialty Doors (SD) Available for this Door Style:

See page 60 for details and restrictions.



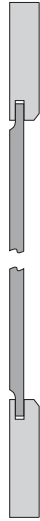
OFD



MFD



Door



Door Cross Section



Kneehole Drawer Front



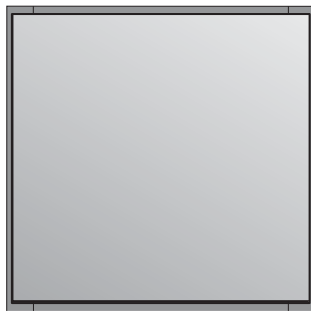
Kneehole Drawer Cross Section



Standard Drawer Front



Standard Drawer Cross Section



Large Drawer Front



Large Drawer Cross Section

NEW! FINISHES

Reading Collection

Cherry, Maple, Painted

Door Style Details:

| | |
|-------------------------------------|--|
| Species: | Cherry, Maple, Painted |
| Door Description: | Recessed Panel |
| Door Rail & Stile Width: | 3" |
| Drawer Description: | Slab |
| Overlay: | Full Overlay Door (FOL) |
| Tall Door Details: | Horizontal Center Rail on 50" High Doors |
| Hinge: | Deep Full Overlay |
| Hardware: | Requires Decorative Hardware |

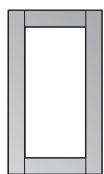
Available Finishes:

| CHERRY | FINISH | STYLE CODE |
|----------|---------|------------|
| | Java | 40CKS |
| | Slate | 40CES |
| MAPLE | FINISH | STYLE CODE |
| | Cognac | 40MRS |
| | Latte | 40GAS |
| | Rye | 40MTS |
| | Slate | 40GES |
| | Spice | 40MSS |
| | Truffle | 40MBS |
| PAINTED* | FINISH | STYLE CODE |
| | Black | 40FDS |
| | Boulder | 40MIS |
| | Harbor | 40MKS |
| | Linen | 40MPS |
| | Navy | 40FBS |
| | Sage | 40FCS |
| | Stone | 40MYS |
| | Vanilla | 40FVS |

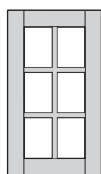
*Premium finish

Specialty Doors (SD) Available for this Door Style:

See page 60 for details and restrictions.



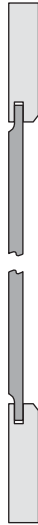
OFD



MFD



Door



Door Cross Section



Kneehole Drawer Front



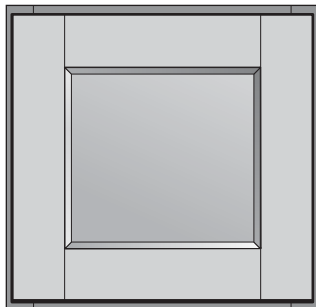
Kneehole Drawer Cross Section



Standard Drawer Front



Standard Drawer Cross Section



Large Drawer Front



Large Drawer Cross Section

NEW! FINISHES**Reading w/ DF0 Collection**

Cherry, Maple, Painted

Door Style Details:

| | |
|-------------------------------------|--|
| Species: | Cherry, Maple, Painted |
| Door Description: | Recessed Panel |
| Door Rail & Stile Width: | 3" |
| Drawer Description: | 5-Piece with Recessed Panel |
| Overlay: | Full Overlay Door (FOL) |
| Tall Door Details: | Horizontal Center Rail on 50" High Doors |
| Hinge: | Deep Full Overlay |
| Hardware: | Requires Decorative Hardware |

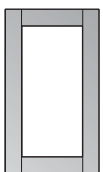
Available Finishes:

| CHERRY | FINISH | STYLE CODE |
|----------|---------|------------|
| | Java | 42CKS |
| | Slate | 42CES |
| MAPLE | FINISH | STYLE CODE |
| | Cognac | 42MRS |
| | Latte | 42GAS |
| | Rye | 42MTS |
| | Slate | 42GES |
| | Spice | 42MSS |
| | Truffle | 42MBS |
| PAINTED* | FINISH | STYLE CODE |
| | Black | 42FDS |
| | Boulder | 42MIS |
| | Harbor | 42MKS |
| | Linen | 42MPS |
| | Navy | 42FBS |
| | Sage | 42FCS |
| | Stone | 42MYS |
| | Vanilla | 42FVS |

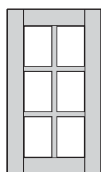
*Premium finish

Specialty Doors (SD) Available for this Door Style:

See page 60 for details and restrictions.



OFD



MFD

Reading w/ DFO Collection

Duraform

Door Style Details:

| | |
|-------------------------------------|---|
| Species: | Duraform (Textured PVC) |
| Door Description: | Recessed Panel |
| Door Rail & Stile Width: | 3" |
| Drawer Description: | 5-Piece with Recessed Panel |
| Overlay: | Full Overlay Door (FOL) |
| Tall Door Details: | No Horizontal Center Rail on 50" High Doors |
| Hinge: | Deep Full Overlay |
| Hardware: | Requires Decorative Hardware |

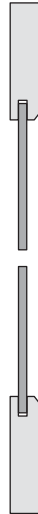
Available Finishes:

| DURAFORM | FINISH | BOX FINISH* | STYLE CODE |
|----------|--------|-------------|------------|
| | Breeze | Linen | 42EPA |
| | Drift | Harbor | 42EKB |

*Doors, Drawer Fronts and select SKUs (__DT) are Textured Duraform. All other finished cabinet and accessory surfaces will be in the indicated box finish above.



Door



Door Cross Section



Kneehole Drawer Front



Kneehole Drawer Cross Section



Standard Drawer Front



Standard Drawer Cross Section



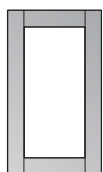
Large Drawer Front



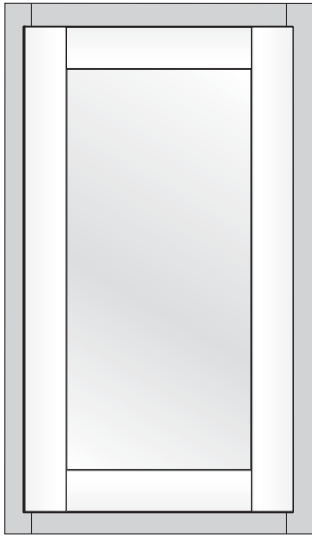
Large Drawer Cross Section

Specialty Doors (SD) Available for this Door Style:

See page 60 for details and restrictions.



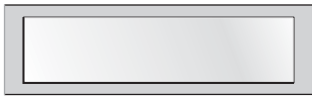
OFD



Door



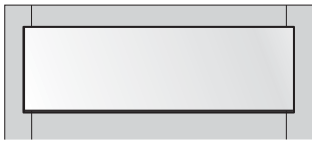
Door Cross Section



Kneehole Drawer Front



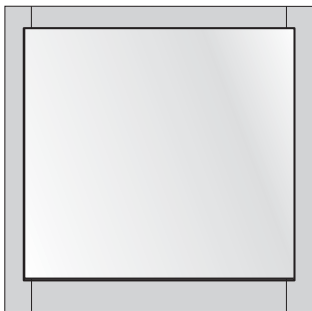
Kneehole Drawer Cross Section



Standard Drawer Front



Standard Drawer Cross Section



Large Drawer Front



Large Drawer Cross Section

San Mateo Collection

Duraform

Door Style Details:

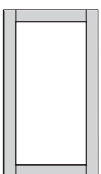
| | |
|-------------------------------------|---|
| Species: | Duraform (Polypropylene) |
| Door Description: | Recessed Panel |
| Door Rail & Stile Width: | 2¼" |
| Drawer Description: | Slab |
| Overlay: | Partial Overlay Door (POL) |
| Tall Door Details: | No Horizontal Center Rail on 50" High Doors |
| Hinge: | Partial Overlay |
| Hardware: | Decorative Hardware Strongly Recommended |

Available Finishes:

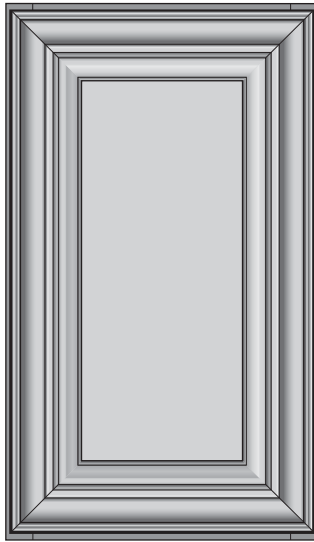
| DURAFORM | FINISH | STYLE CODE |
|----------|----------|------------|
| | Espresso | 19EJS |
| | Harbor | 19EKS |
| | Linen | 19EPS |
| | Stone | 19EYS |

Specialty Doors (SD) Available for this Door Style:

See page 60 for details and restrictions.



OFD



Door



Door Cross Section



Kneehole Drawer Front



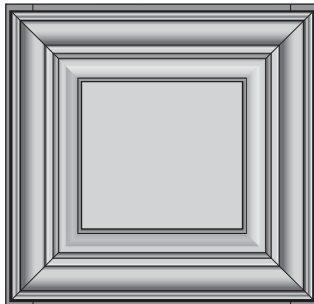
Kneehole Drawer Cross Section



Standard Drawer Front



Standard Drawer Cross Section



Large Drawer Front



Large Drawer Cross Section

NEW! FINISHES

Savannah Collection

Cherry, Maple, Painted

Door Style Details:

| | |
|-------------------------------------|--|
| Species: | Cherry, Maple, Painted |
| Door Description: | Mitered with Raised Panel |
| Door Rail & Stile Width: | 3" |
| Drawer Description: | Mitered 5-Piece with Raised Panel |
| Overlay: | Full Overlay Door (FOL) |
| Tall Door Details: | Horizontal Center Rail on 50" High Doors |
| Hinge: | Deep Full Overlay |
| Hardware: | Requires Decorative Hardware |

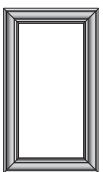
Available Finishes:

| CHERRY | FINISH | STYLE CODE |
|----------|----------------|------------|
| | Java | 35CKS |
| | Slate | 35CES |
| MAPLE | FINISH | STYLE CODE |
| | Cognac | 35MRS |
| | Latte | 35GAS |
| | Rye | 35MTS |
| | Slate | 35GES |
| | Spice | 35MSS |
| | Truffle | 35MBS |
| PAINTED* | FINISH | STYLE CODE |
| | Biscotti Glaze | 35FVF |
| | Black | 35FDS |
| | Boulder | 35MIS |
| | Ember Glaze | 35MKO |
| | Harbor | 35MKS |
| | Linen | 35MPS |
| | Navy | 35FBS |
| | Pewter Glaze | 35MPQ |
| | Sage | 35FCS |
| | Stone | 35MYS |
| | Vanilla | 35FVS |

*Premium finish

Specialty Doors (SD) Available for this Door Style:

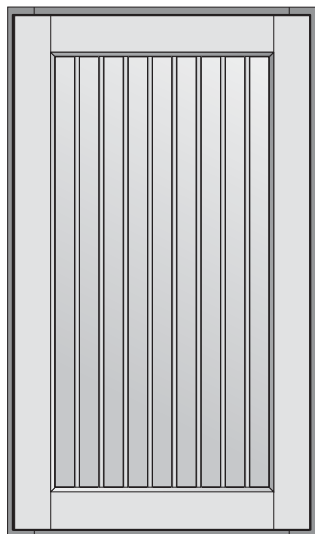
See page 60 for details and restrictions.



OFD



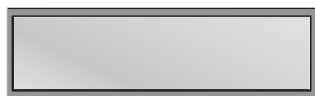
MFD



Door



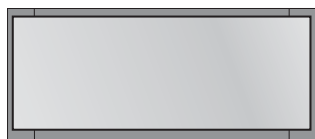
Door Cross Section



Kneehole Drawer Front



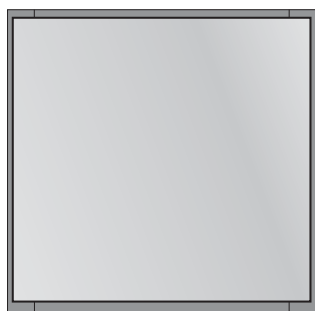
Kneehole Drawer Cross Section



Standard Drawer Front



Standard Drawer Cross Section



Large Drawer Front



Large Drawer Cross Section

NEW! FINISHES

Shorebrook Collection

Maple, Painted

Door Style Details:

| | |
|-------------------------------------|--|
| Species: | Maple, Painted |
| Door Description: | Recessed Beadboard Panel |
| Door Rail & Stile Width: | 2¼" |
| Drawer Description: | Slab |
| Overlay: | Full Overlay Door (FOL) |
| Tall Door Details: | Horizontal Center Rail on 50" High Doors |
| Hinge: | Deep Full Overlay |
| Hardware: | Requires Decorative Hardware |

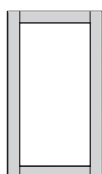
Available Finishes:

| MAPLE | FINISH | STYLE CODE |
|----------|----------------|--------------|
| | Cognac | 48MRS |
| | Latte | 48GAS |
| | Rye | 48MTS |
| | Slate | 48GES |
| | Spice | 48MSS |
| | Truffle | 48MBS |
| PAINTED* | FINISH | STYLE CODE |
| | Black | 48FDS |
| | Boulder | 48MIS |
| | Harbor | 48MKS |
| | Linen | 48MPS |
| | Navy | 48FBS |
| | Sage | 48FCS |
| | Stone | 48MYS |
| | Vanilla | 48FVS |

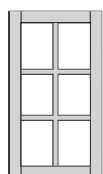
*Premium finish

Specialty Doors (SD) Available for this Door Style:

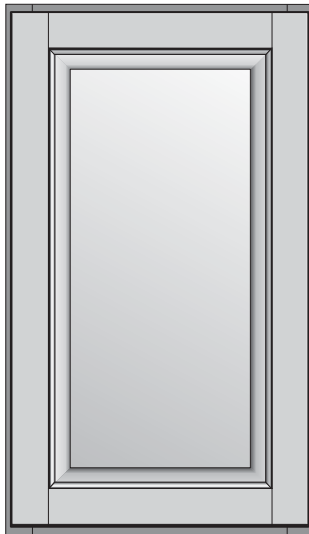
See page 60 for details and restrictions.



OFD



MFD



Door



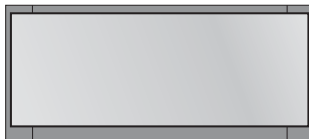
Door Cross Section



Kneehole Drawer Front



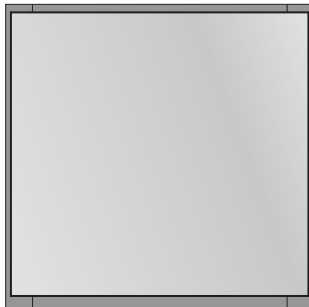
Kneehole Drawer Cross Section



Standard Drawer Front



Standard Drawer Cross Section



Large Drawer Front



Large Drawer Cross Section

NEW! FINISHES

Westerly Collection

Maple, Painted

Door Style Details:

| | |
|-------------------------------------|---|
| Species: | Maple, Painted |
| Door Description: | Raised Panel |
| Door Rail & Stile Width: | 2¼" |
| Drawer Description: | Slab |
| Overlay: | Full Overlay Door (FOL) |
| Tall Door Details: | No Horizontal Center Rail on 50" High Doors |
| Hinge: | Deep Full Overlay |
| Hardware: | Requires Decorative Hardware |

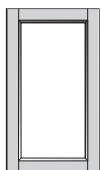
Available Finishes:

| MAPLE | FINISH | STYLE CODE |
|----------|-----------------------|--------------|
| | Cognac | 69MRS |
| | Latte | 69GAS |
| | Rye | 69MTS |
| | Slate | 69GES |
| | Spice | 69MSS |
| | Truffle | 69MBS |
| PAINTED* | FINISH | STYLE CODE |
| | Biscotti Glaze | 69FVF |
| | Black | 69FDS |
| | Boulder | 69MIS |
| | Ember Glaze | 69MKO |
| | Harbor | 69MKS |
| | Linen | 69MPS |
| | Navy | 69FBS |
| | Pewter Glaze | 69MPQ |
| | Sage | 69FCS |
| | Stone | 69MYS |
| | Vanilla | 69FVS |

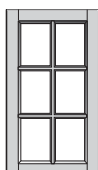
*Premium finish

Specialty Doors (SD) Available for this Door Style:

See page 60 for details and restrictions.

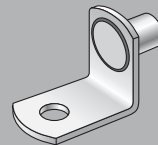
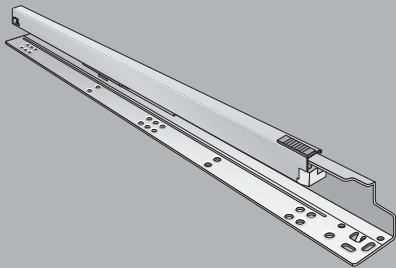
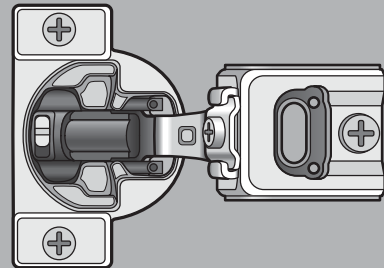
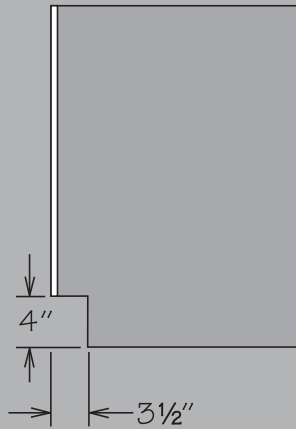
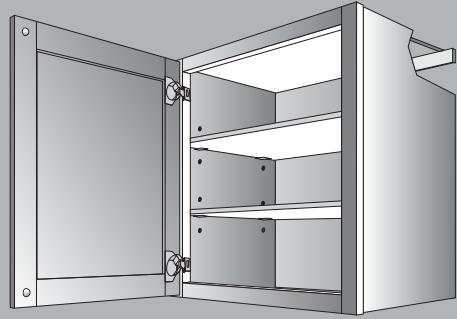
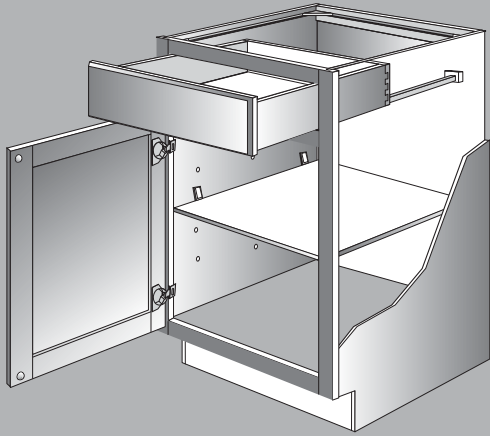


OFD



MFD

Standard Cabinet Specs



KCMA Certified

All cabinetry manufactured by American Woodmark is certified by the Kitchen Cabinet Manufacturers Association (KCMA).

KCMA sets the American National Standards Institute/KCMA 161.1- 2000 uniform performance and construction standards for kitchen and vanity cabinets. The program is referenced by U.S. Government agencies; architects; builders; remodelers; and other specifiers.

Cabinets that bear the KCMA seal of certification are recognized as a quality product with the ability to perform after a rigorous battery of tests, simulating years of typical household use. Tests are performed by approved third-party independent laboratories.

American Woodmark is proud to display the KCMA seal of certification for cabinet construction.



Environmentally Responsible Stewardship

As a leading U.S. manufacturer of fine cabinetry, American Woodmark Corporation is committed to conducting business in a manner that both protects the environment and safeguards public health and safety. To achieve this end, the company proactively identifies potential environmental risks and monitors compliance with appropriate federal, state, local and internal standards.

The company has received certification by the Kitchen Cabinet Manufacturers Association (KCMA) Environmental Stewardship Program on all products. The certification was awarded based on compliance across a broad range of activity including air quality, product resource management, process resource management, environmental stewardship and community relations.

The company works with all suppliers to encourage sustainable forestry practices. Wood doors, drawer fronts and cabinet front frames are made from solid hardwoods. Particle board and plywood are purchased from suppliers that meet either the Composite Panel Association requirements for Environmentally Preferred Products or the Composite Panel Associations Eco-Certified Composite Standards.

The company uses leading edge technologies to limit both hazardous and non-hazardous emissions, byproducts and waste. Ongoing, formal programs identify opportunities for recycling and reusing materials. When waste ultimately requires disposal, steps are taken to minimize the environmental impact.

The American Woodmark Foundation supports local programs serving the community, including activities focused on maintaining the quality of life.

Our company is dedicated to doing our part in the preservation and sustainability of the environment.



KITCHEN CABINET MANUFACTURERS ASSOCIATION,
ENVIRONMENTAL STEWARDSHIP PROGRAM (ESP).
ALL PRODUCTS IMPACT THE ENVIRONMENT
FOR ESP PROGRAM CRITERIA, VISIT KCMA.ORG

Cabinet Front Face Frames

Cabinet front face frames are made from $\frac{3}{4}$ " x $1\frac{5}{8}$ " kiln dried hardwood to prevent warping. Face frame joints are precision fixtured, pressure fitted and mechanically fastened.

Cabinet Side Panels

Cabinet side panels are $\frac{1}{2}$ " thick engineered wood. The exterior sides match cabinet finish and interior sides are finished with a natural woodgrain look. They are captured into a grooved front face frame and secured using high-strength fasteners and glue.

Cabinet Tops, Bottoms and Floors

Tops, bottoms and floors are $\frac{1}{2}$ " thick engineered wood. The exteriors and interiors are finished with a natural woodgrain look. They are fitted and glued into the cabinet front face frame grooves, then captured in the grooves of the cabinet side panels.

Cabinet Back

The cabinet back is made from $\frac{1}{8}$ " thick hardboard substrate. The inside cabinet surface is finished with a natural woodgrain look.

Hanging Rails

The base and vanity top hanging rail is $\frac{3}{4}$ " thick solid wood, mortise and tenon joined and glued to the cabinet side panels. The wall cabinet hanging rails are $\frac{1}{2}$ " thick engineered wood, glued and pinned into the cabinet back, cabinet side panels and top/bottom.

Cabinet Shelves

Cabinet shelves are $\frac{3}{4}$ " thick engineered wood. The shelves are finished with a natural woodgrain look. Shelves are banded on one side with edge banding. All shelves are adjustable and meet KCMA load standards of 15 pounds per square foot.

Drawer Systems

Cabinets utilize natural finish dovetail hardwood drawers with plywood bottoms and Full-Access Hidden Glides® or Full-Access CushionClose Glides. All drawers meet KCMA load standards of 15 pounds per square foot.

Drawer Systems - Deep Roll Out Trays

Deep Roll Out Trays utilize natural finish dovetail hardwood drawers. Deep Roll Out Trays feature side-mounted $\frac{3}{4}$ " access drawer glides or Full-Access CushionClose glides. All Deep Roll Out Trays meet KCMA load standards of 15 pounds per square foot.

Corner Blocks

Corner blocks are attached to help ensure cabinet squareness and allow for proper countertop installation.

Hinges

Fully concealed, self-closing Hidden Hinges® are standard on all door styles.

| Door Height | Number of Hinges |
|-------------|------------------|
| 12" - 36" | 2 |
| 39" - 50" | 3 |

Inset Toe Kick

Inset toe kicks are constructed of $\frac{1}{2}$ " thick **unfinished** engineered wood and are recessed $3\frac{1}{2}$ ". Standard toe kick dimensions are 4" high and recessed $3\frac{1}{2}$ ". Universal Design toe kick dimensions are 8" high and recessed $6\frac{1}{2}$ ".

BTK8 or BTK UD (matching toe kick) required for installation.

CONTINUOUS IMPROVEMENT

In keeping with our policy of continuous product refinement, American Woodmark reserves the right to change specifications in design and materials as conditions require.

Finishing Systems

The finishing systems used on our products are designed to ensure the beauty and durability of our cabinetry. State-of-the-art equipment allows precise sanding, filling and finish coverage of each of our products.

Environmentally Responsible Finishing

Our panel finishing system uses only water-based paints and fillers, yielding neither hazardous waste nor water contamination. Our acrylic and urethane materials are 100% solids, dried using high-intensity lights, yielding no atmospheric emissions. Our products are extremely resistant to stains and surface damage that can be caused by common household chemicals. Our products exceed KCMA and ANSI standards for resistance to stains like coffee, grape juice and moisture.

Cabinet Care

Remove dust from cabinets frequently with a soft lint-free cloth. The cloth may be slightly dampened with water or a spray type dust remover. Do not use a paste wax type material. Wax buildup is difficult to remove and will leave a residue that attracts dust and moisture. Polishes containing silicon should not be used. Clean spills immediately. Use a clean cloth and mild soap if necessary. Wipe dry with a clean soft cloth. Do not use detergents, citrus cleaners, ammonia-based cleaners, chlorine-based cleaners, steel wool, soap pads or abrasive cleaners on cabinets.

Extra care should be taken that cabinet finishes are not exposed to heat in excess of 200° Fahrenheit (174° for Duraform thermofoil door styles). Do not place or mount small appliances beneath wall cabinets. These appliances (such as coffee makers and toasters) can produce excessive heat, which can damage the finish of cabinets. Do not expose Duraform thermofoil doors or drawer fronts to heat created from self-cleaning ovens or ranges. The HSK (Heat Shield Kit) should be used when Duraform thermofoil cabinets are installed or mounted directly next to ovens or ranges.

Allow Cabinets To Age Beautifully

Our cabinets showcase the careful selection of natural and engineered materials to achieve the best possible look. While every effort is made to match wood grain as closely as possible, no two pieces of wood are exactly alike, even from the same tree. These differences in natural color and grain mean that each piece will respond differently to the finishing materials used. For example, close-grained woods absorb less and will vary in color from more open-grained pieces from the very same tree. It's these variations that contribute to the beauty and distinction of quality wood products. However, exposure to sunlight, smoke and chemicals may cause some materials to fade or vary from their original color over time.

This is why cabinets, doors, drawer fronts and accessories added at a later date may not exactly match cabinets installed now. For the same reasons, door samples or displays may not represent the exact color of cabinets received at the time of shipment. Consumers should also read all cleaning agent instructions carefully before application.

Due to changes that occur from natural and environmental factors a cabinet is exposed to over its lifetime, we cannot be responsible for variations that occur in the finish of natural and engineered materials as they age.

Door Species & Characteristics

American Woodmark incorporates solid hardwoods and hardwood veneers. These are natural materials with inherent variations. As such, our quality standards establish tolerance ranges for matching the hardwood pieces. Consumers should review actual samples of hardwoods in our buying centers and cabinet displays to help establish realistic expectations of variations involving wood grain, color tones, presence of knots and so forth.

These variations are at the heart of the unique natural beauty of finished hardwood. In addition, exposure of wood products to sunlight, some chemical agents and smoke can cause wood colors to change over time.

Cherry

Cherry is a close-grained, multicolored hardwood with occasional pin knots and fine grain variations appearing as curls and waves. Natural features of Cherry include:

- Small sap pockets, pin knots and streaks
- Color ranges from pale yellow sapwood to deep reddish-brown heartwood, with occasional shades of white, green, pink or even gray
- Staining reveals subtle variations and colors that typically darken over time
- Variations within a single door

Maple

Maple is an exceptionally hard, finely grained wood species with a fine, even texture. Darker stains will moderate the color variance; lighter stains mellow with golden hues over time. Natural features of Maple include:

- White to light blonde tones to dark reddish-brown tones
- Small mineral streaks of light blond or reddish brown that darken with stain
- Wavy, curly bird's-eye or burl graining as well as worm tracking across the grain that will darken when stained
- Variations within a single door

Painted

Painted finishes combine hardwoods and engineered materials including solid wood, medium density fiberboard (MDF), high density fiberboard (HDF) and similar materials to achieve a product with superior stability, consistency, coverage and durability. Painted door features include:

- Visible joint lines may appear due to the natural expansion and contraction of wood
- A natural aging process that may change the tone of paint colors over time

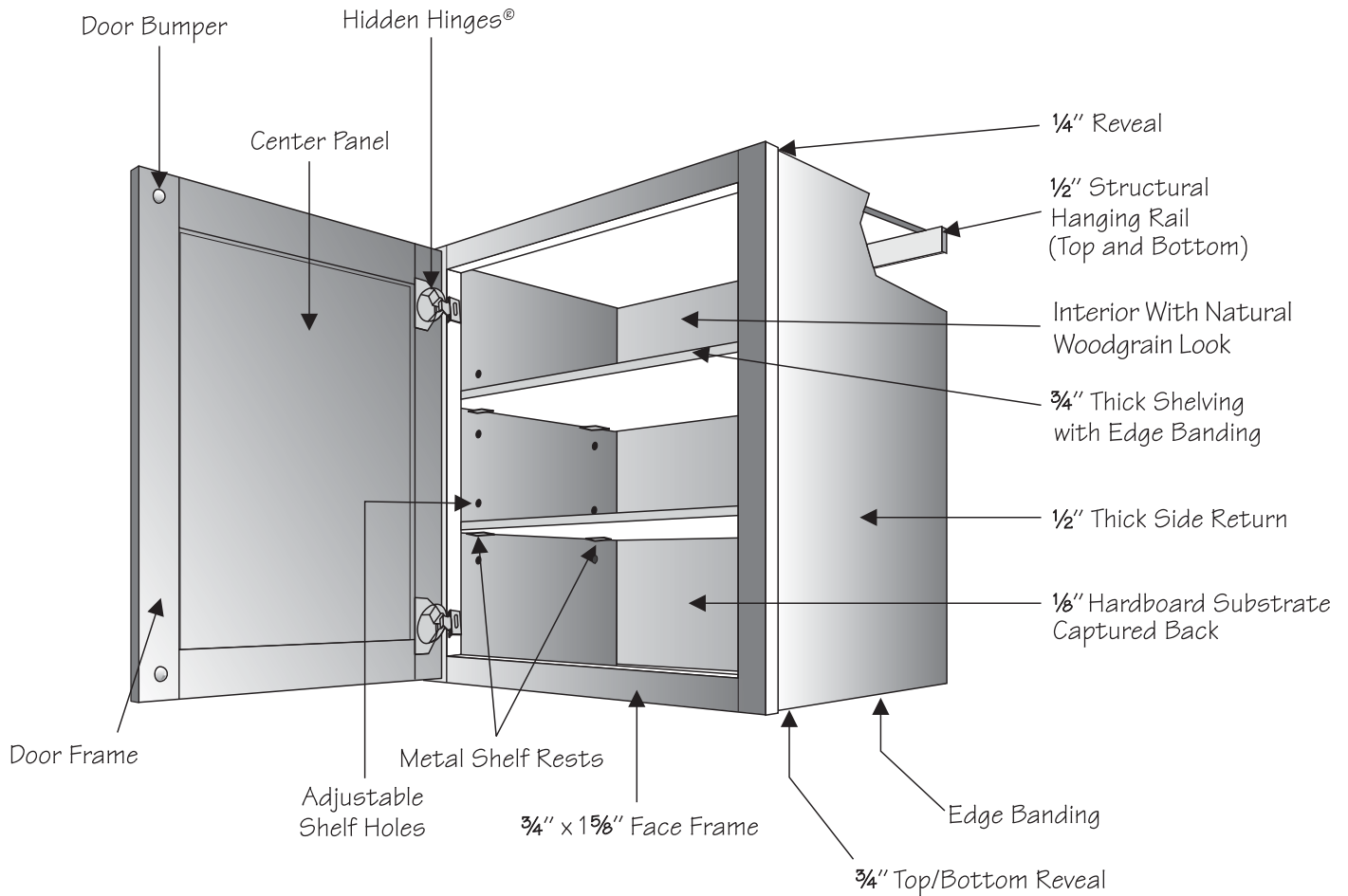
Duraform

Duraform uses highly-technological manufacturing processes to bond foils, vinyl films and coatings to medium density fiberboard (MDF), high density fiberboard (HDF) and similar materials to achieve a product with exceptional stability, consistency and durability.

- The finish, color and texture are consistent throughout the surface
- The surface is highly durable and easy to clean
- Materials are resistant to humidity and fading
- Refer to page 35 for standard cabinet box construction

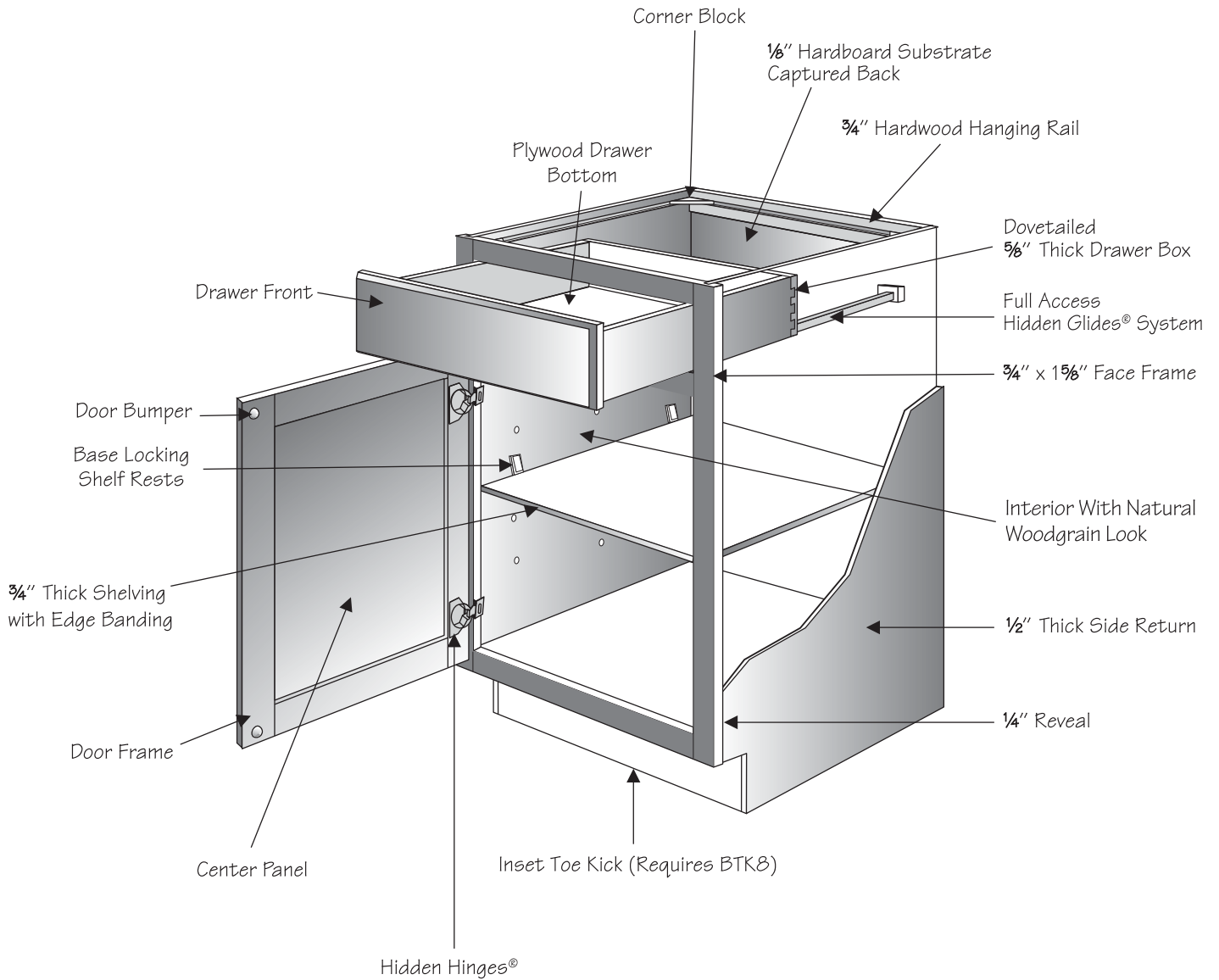
Designer's Choice wall cabinets are constructed using high-quality materials and hardware.

The drawing below illustrates and identifies the parts of a standard Designer's Choice wall cabinet.



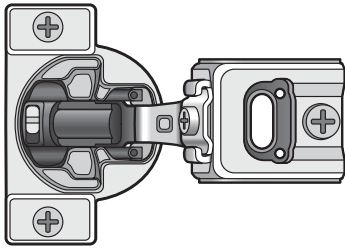
Designer's Choice base cabinets are constructed using high-quality materials and hardware.

The drawing below illustrates and identifies the parts of a standard Designer's Choice base cabinet.



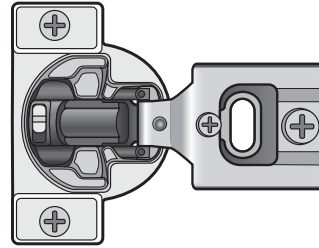
NOTE: Base single door cabinets are hinged left and can be reversed in the field.

6-Way Adjustable Full Overlay (FOL) Door Hinge



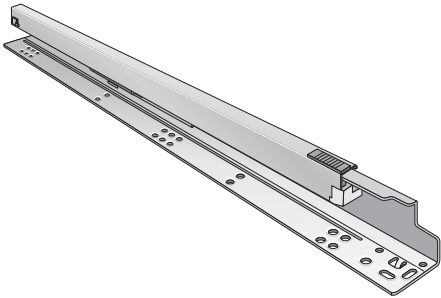
All steel construction with nickel-plated finish, 1³/₂" Full Overlay hinge with self-closing feature that allows door to close unassisted when approximately 20–30 degrees open. Hinge allows less than 3/16" frame-to-door gap. Six-way adjustability allows superior in/out adjustment of 1/8", up/down adjustment of 1/4" and side-to-side adjustment of 1/8". Exceeds industry standard for durability. Standard feature on all Full Overlay (FOL) door styles. Hinges permit doors to open to approximately 105 degrees.

6-Way Adjustable Partial Overlay (POL) Door Hinge



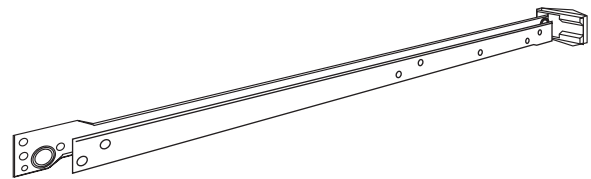
All steel construction with nickel-plated finish, 3/4" Partial Overlay hinge with self-closing feature that allows door to close unassisted when approximately 20–30 degrees open. Hinge allows less than 3/16" frame-to-door gap. Six-way adjustability allows superior in/out adjustment of 1/8", up/down adjustment of 1/4" and side-to-side adjustment of 1/8". Exceeds industry standard for durability. Standard feature on all Partial Overlay (POL) door styles. Hinges permit doors to open to approximately 105 degrees.

Full-Access Hidden Glides System



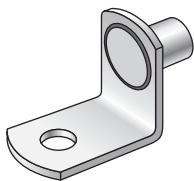
The Full-Access Hidden Glide System features dual-telescoping glide members that are supported by precision roller-carriage bearings providing smooth, stable and quiet operation. This glide system opens fully to provide complete access to drawer contents and features an integrated self-closing mechanism.

Side-Mounted Roll-Out Tray Glides



This 3/4" access glide system features twin self-aligning side-mounted drawer glides. They are constructed of epoxy-coated steel for quiet opening and closing. Rollers are made of Delrin for smooth operation.

Metal Shelf Rest



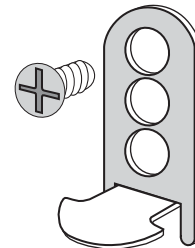
1/4" steel, nickel plated. Standard feature on all wall cabinets, bookshelves, and Open Frame Door cabinets.

Base Locking Shelf Rest



Locks base shelves in place and prevents shelves from sliding. Designed to allow easy shelf removal. Molded from clear high-strength polycarbonate. Standard feature on all base and tall cabinets.

Mullion Shelf Rest

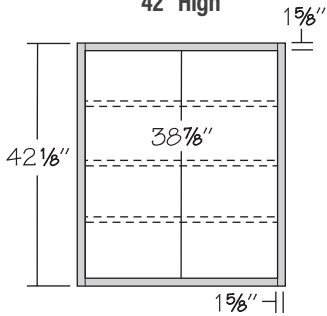


Six position adjustable to allow for superior alignment of shelf with mullion. Metal construction. Standard feature on all Mullion Frame Door cabinets.

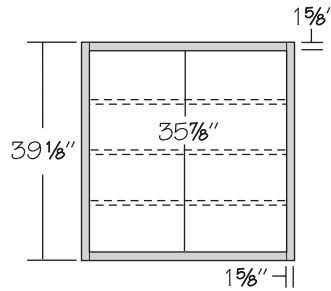
These illustrations specify dimensions of vertical stiles, horizontal rails, cabinet heights and standard interior opening heights for Wall cabinets. **Wall cabinets 39" wide and larger feature a 3/4" center stile.**

Wall Cabinets

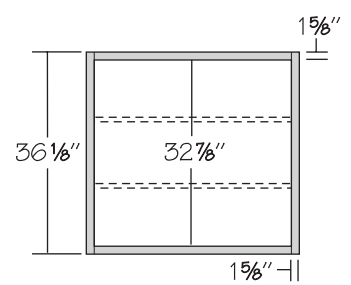
Wall Cabinet
42" High



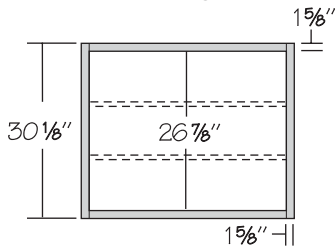
Wall Cabinet
39" High



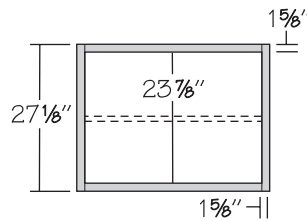
Wall Cabinet
36" High



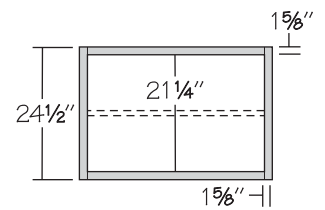
Wall Cabinet
30" High



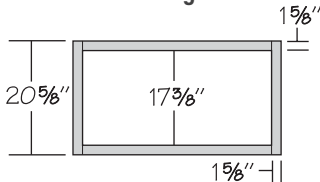
Wall Cabinet
27" High



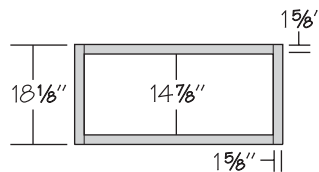
Wall Cabinet
24" High



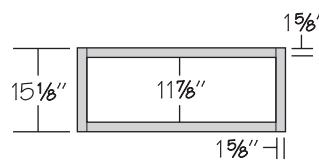
Wall Cabinet
21" High



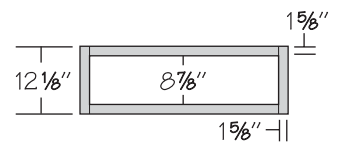
Wall Cabinet
18" High



Wall Cabinet
15" High



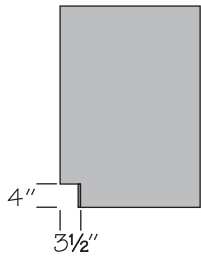
Wall Cabinet
12" High



These illustrations specify dimensions of vertical stiles, horizontal rails, inset toe kick, cabinet heights and standard interior opening heights for Base, Drawer Base & Desk cabinets. **Butt door cabinets do not have a center stile.**

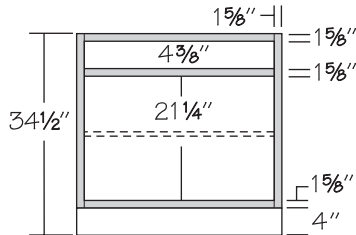
Base Cabinets

Inset Toe Kick

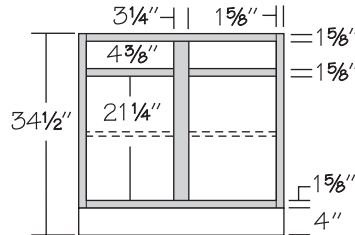


Inset toe kick construction requires BTK8 matching toe kick—must be ordered separately.

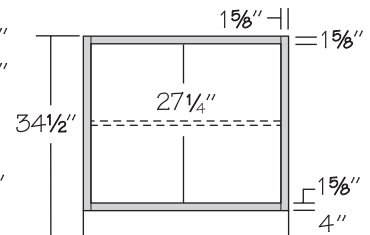
Standard Base Cabinet with Butt Doors



Standard Base Cabinet with Center Stile

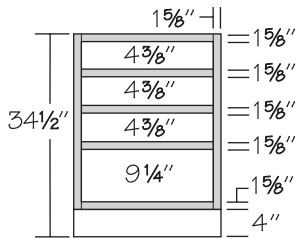


Full-Height Base Cabinet

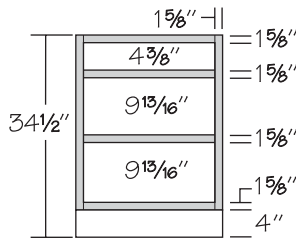


Drawer Base Cabinets

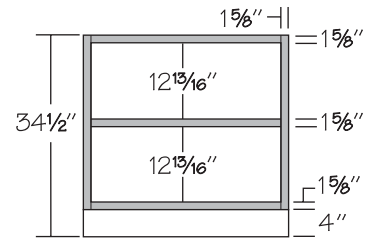
4 Drawer Base Cabinet



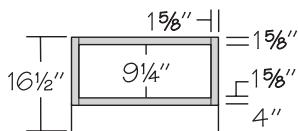
3 Drawer Base Cabinet



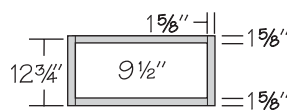
2 Drawer Base Cabinet



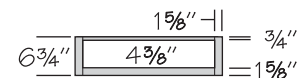
Pedestal Drawer Base Cabinet



Furniture Drawer Cabinet 12" High

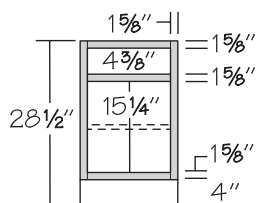


Furniture Drawer Cabinet 6" High

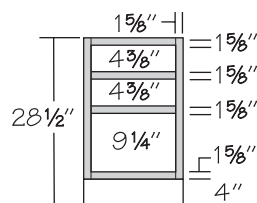


Desk Cabinets

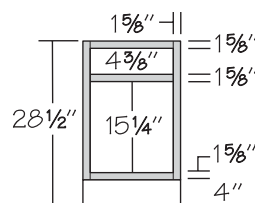
Desk Base Cabinet



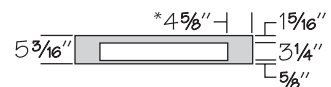
Desk Drawer Cabinet



Desk File Pull Out



Kneehole Drawer

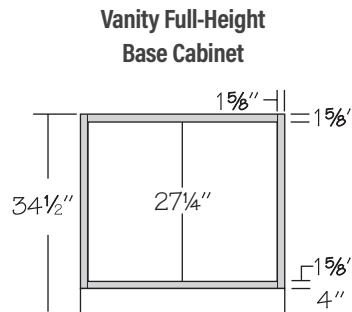
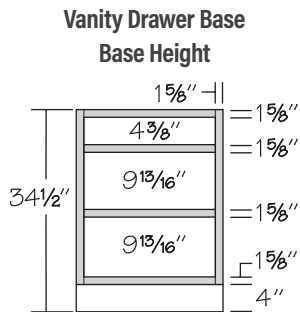
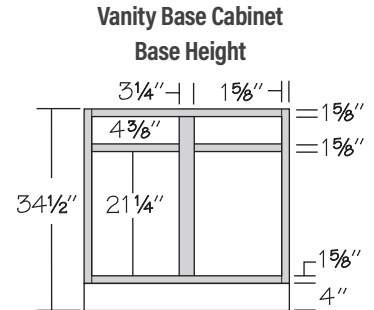
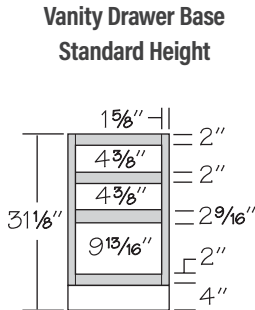
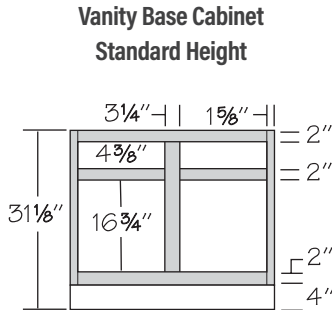


Trimable in height to 4 3/4"

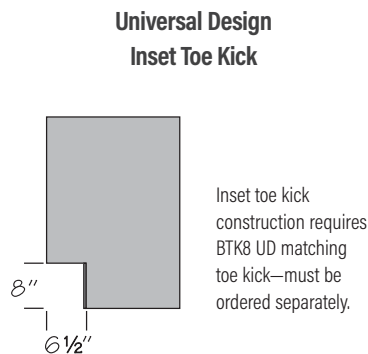
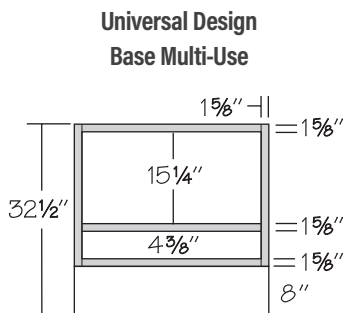
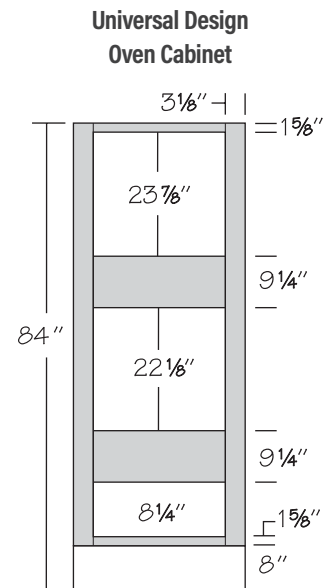
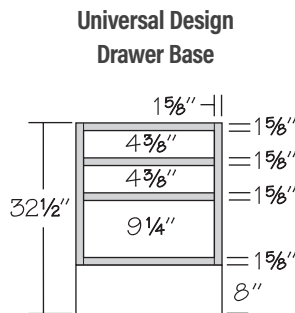
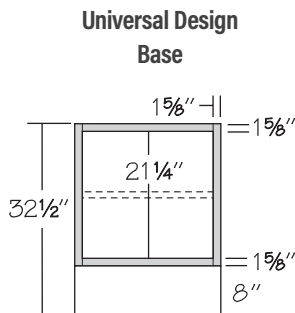
*Dimension for KDC36/33 is 3 3/4"

These illustrations specify dimensions of vertical stiles, horizontal rails, inset toe kick, cabinet heights and standard interior opening heights for Vanity and Universal Design cabinets. **Butt door cabinets do not have a center stile.**

Vanity Cabinets



Universal Design Cabinets

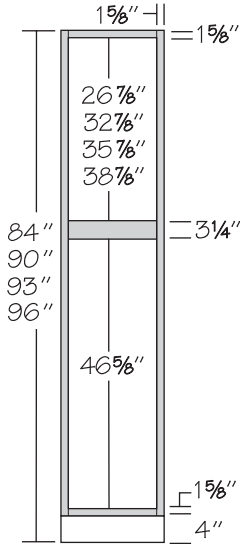


*Actual height of oven opening shown. For actual width, maximum width and maximum height dimensions, please refer to Cut Out Dimensions Chart in specific cabinet SKU box.

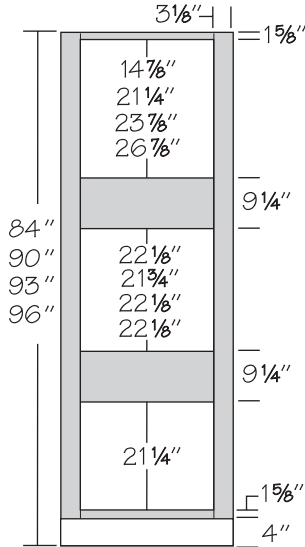
These illustrations specify dimensions of vertical stiles, horizontal rails, inset toe kick, cabinet heights and standard interior opening heights for Utility and Single Oven cabinets.

Tall Cabinets

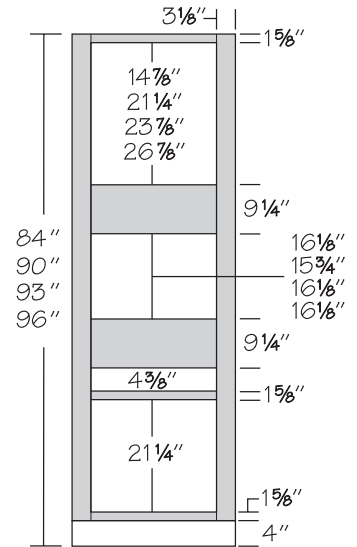
Utility/Vanity Linen Cabinet
2 Doors or 4 Butt Doors



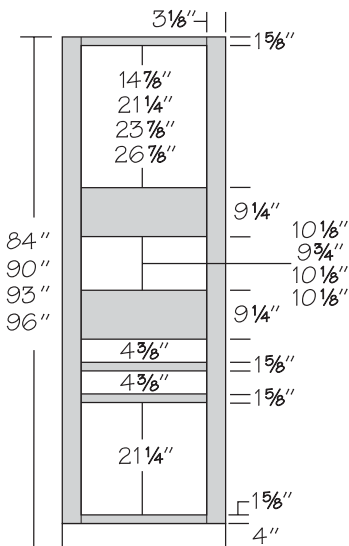
Single Oven Cabinet
4 Butt Doors*



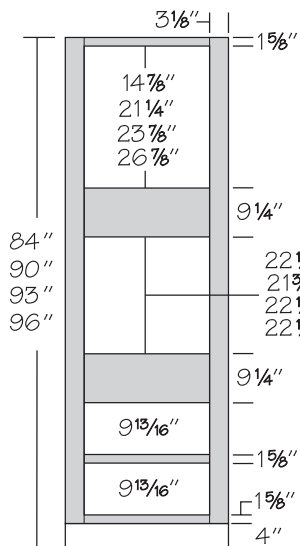
Single Oven Cabinet
4 Butt Doors, 1 Drawer*



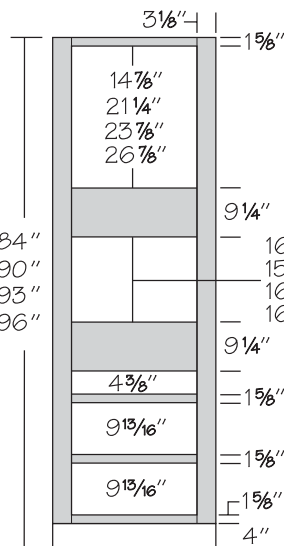
Single Oven Cabinet
4 Butt Doors, 2 Drawers*



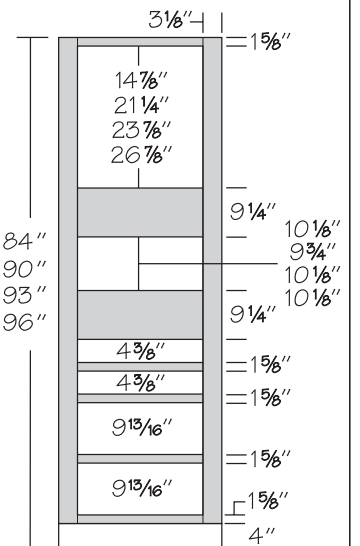
Single Oven Cabinet
2 Butt Doors, 2 Large Drawers*



Single Oven Cabinet
2 Butt Doors, 3 Drawers*



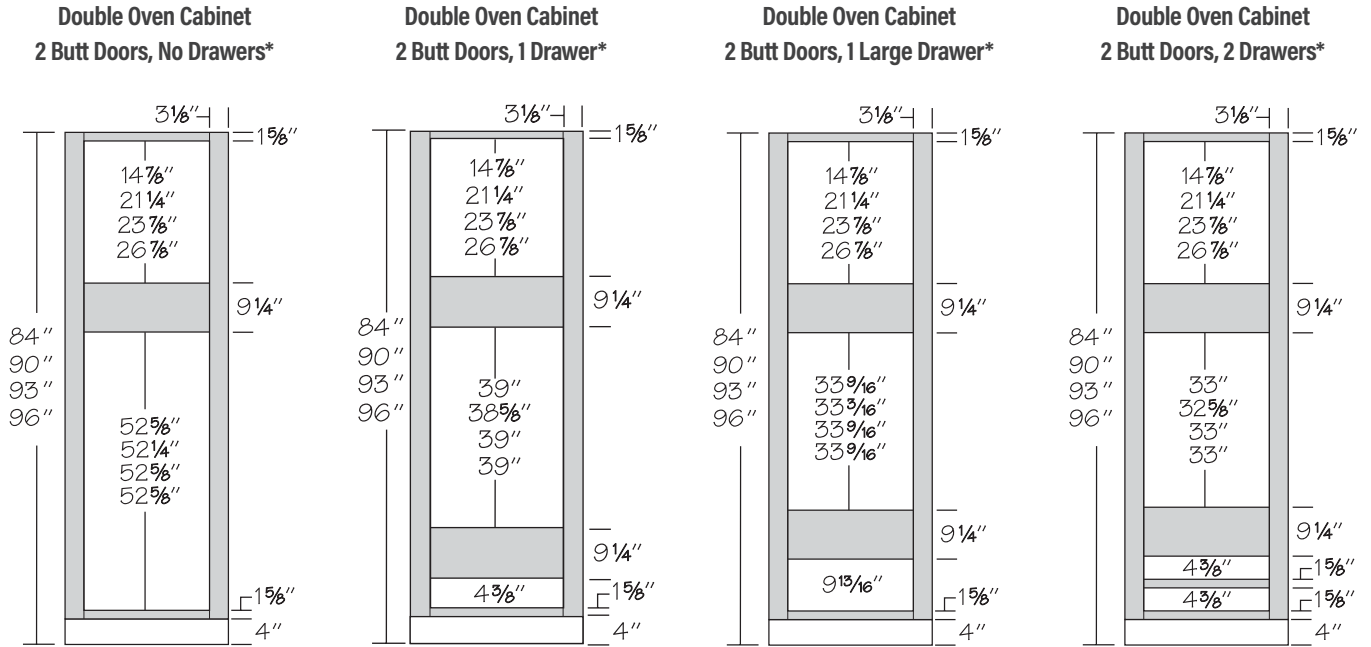
Single Oven Cabinet
2 Butt Doors, 4 Drawers*



*Actual height of oven opening shown. For actual width, maximum width and maximum height dimensions, please refer to Cut Out Dimensions Chart in specific cabinet SKU box.

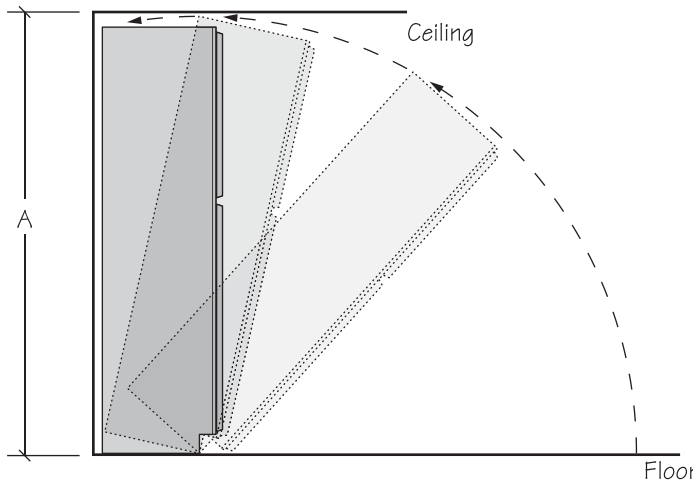
These illustrations specify dimensions of vertical stiles, horizontal rails, inset toe kick, cabinet heights and standard interior opening heights for Double Oven cabinets.

Tall Cabinets



*Actual height of oven opening shown. For actual width, maximum width and maximum height dimensions, please refer to Cut Out Dimensions Chart in specific cabinet SKU box.

Ceiling Height Requirements for Tall Cabinets



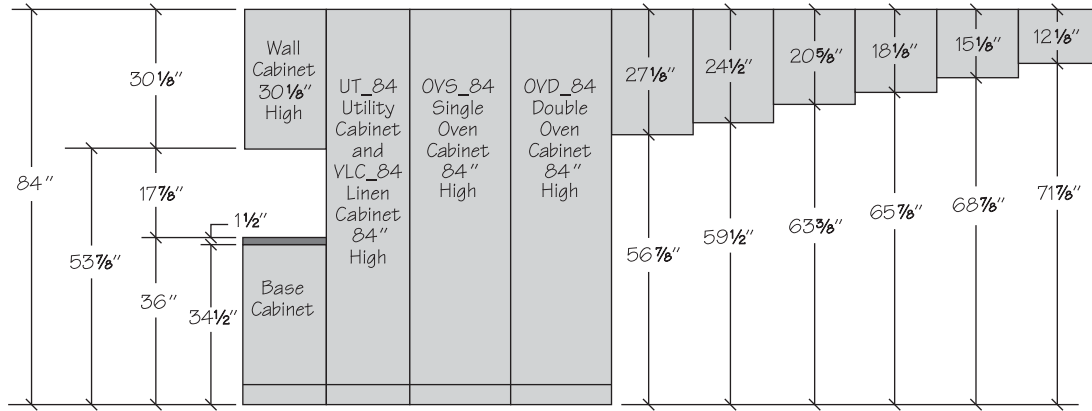
| Height | Cabinet Depth | Minimum Ceiling Height A |
|--------|---------------|--------------------------|
| 84" | 12" | 84 9/16" |
| 84" | 18" | 85 1/4" |
| 84" | 20 3/4" | 85 13/16" |
| 84" | 24" | 86 1/2" |
| 90" | 12" | 90 1/2" |
| 90" | 18" | 91 5/16" |
| 90" | 24" | 92 5/16" |
| 93" | 12" | 93" |
| 93" | 18" | 93" |
| 93" | 24" | 93" |
| 96" | 12" | 96" |
| 96" | 18" | 96" |
| 96" | 24" | 96" |

Notes

- 93" and 96" high Tall cabinets are shipped with 4" inset toe kick assembly shipped inside cabinet.

These illustrations specify dimensions of the height requirements for top alignment of Wall and Tall cabinets (Linen, Utility, Oven) installation.

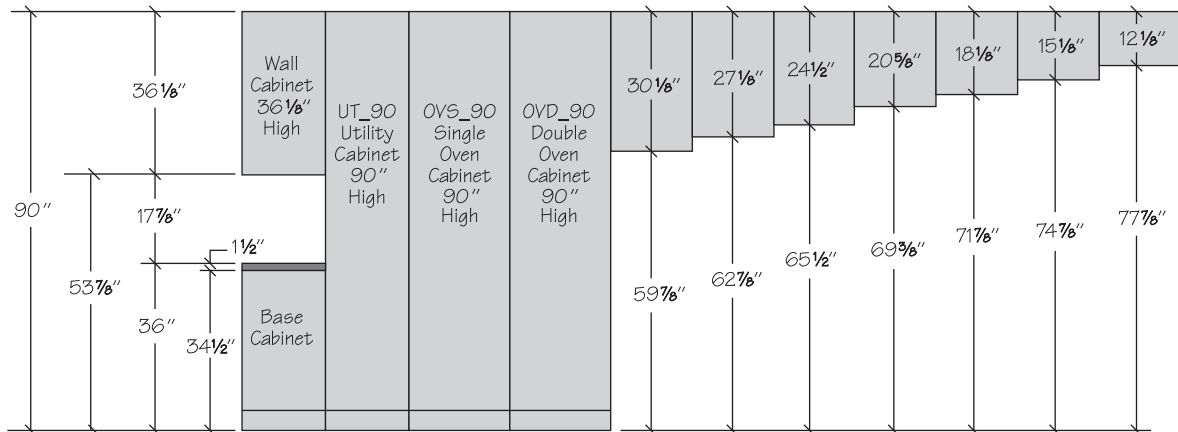
84" Top Alignment Cabinet Installation



Notes:

- 84" top alignment cabinet installation includes standard Wall cabinets (30 1/8" high) installed 53 7/8" above the finished floor, allowing 17 7/8" clearance between the Wall cabinets and a standard countertop height of 36".
- Tall cabinetry (Linen, Utility, Oven) is 84" high.
- **When selecting cabinetry for installation above or near any appliance, refer to the appliance manufacturer's specifications for clearance and venting requirements.**

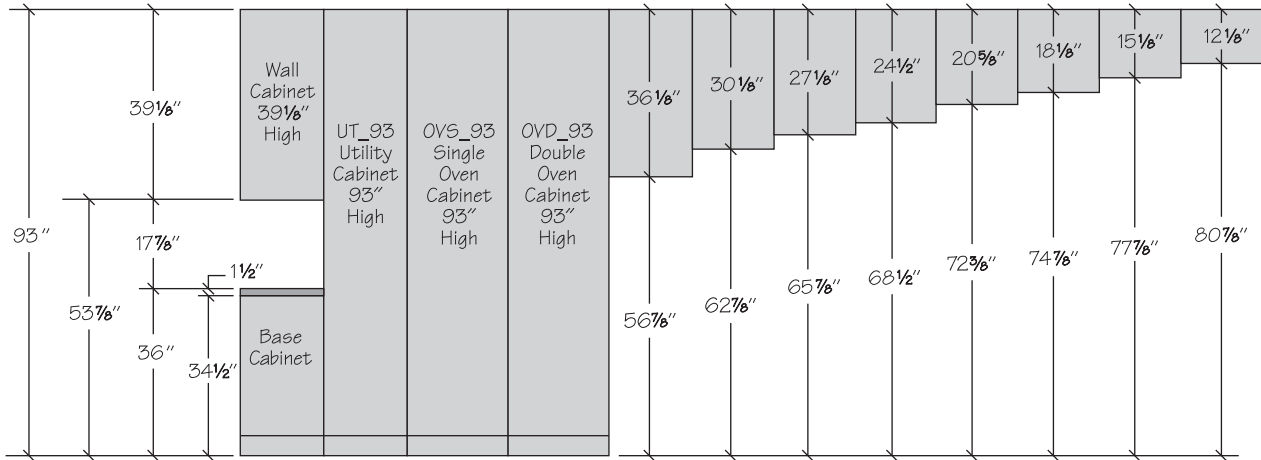
90" Top Alignment Cabinet Installation



Notes:

- 90" top alignment cabinet installation includes 36 1/8" high Wall cabinets installed 53 7/8" above the finished floor, allowing 17 7/8" clearance between the Wall cabinets and a standard countertop height of 36".
- Tall cabinetry (Utility, Oven) is 90" high.
- **When selecting cabinetry for installation above or near any appliance, refer to the appliance manufacturer's specifications for clearance and venting requirements.**

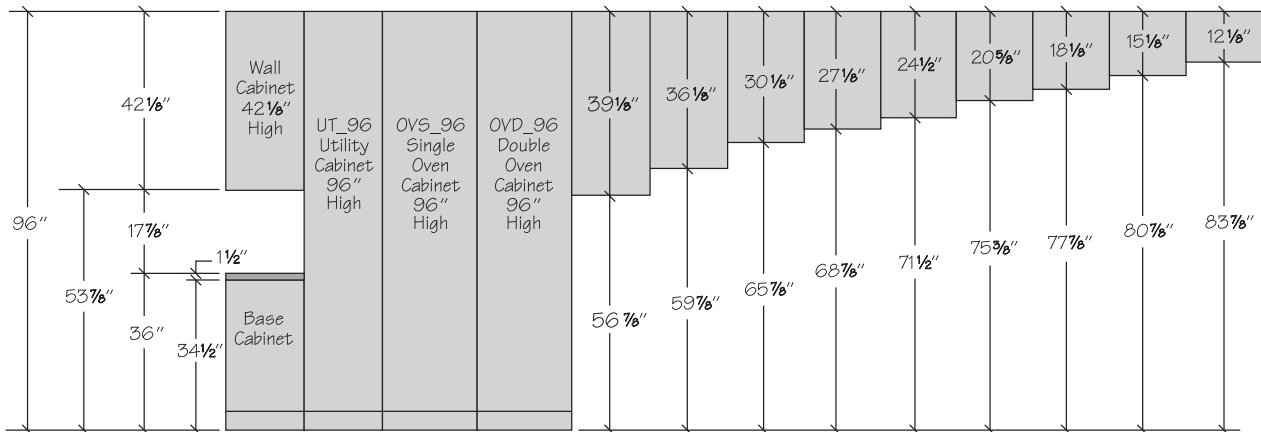
93" Top Alignment Cabinet Installation



Notes:

- 93" top alignment cabinet installation includes 39 1/8" high Wall cabinets installed 53 7/8" above the finished floor, allowing 17 7/8" clearance between the Wall cabinets and a standard countertop height of 36".
- Tall cabinetry (Utility, Oven) is 93" high.
- **When selecting cabinetry for installation above or near any appliance, refer to the appliance manufacturer's specifications for clearance and venting requirements.**

96" Top Alignment Cabinet Installation



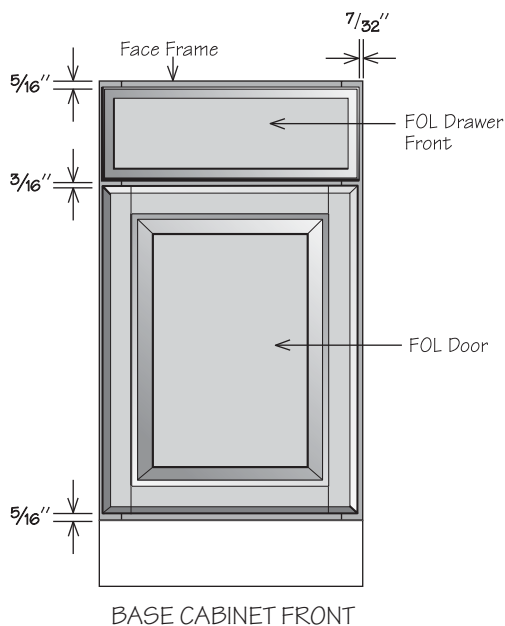
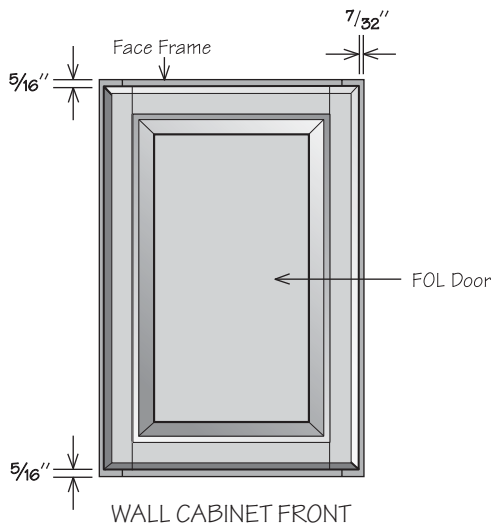
Notes:

- 96" top alignment cabinet installation includes 42 1/8" high Wall cabinets installed 53 7/8" above the finished floor, allowing 17 7/8" clearance between the Wall cabinets and a standard countertop height of 36".
- Tall cabinetry (Utility, Oven) is 96" high.
- **When selecting cabinetry for installation above or near any appliance, refer to the appliance manufacturer's specifications for clearance and venting requirements.**

These drawings illustrate the relationship between the cabinet face frame and Full Overlay (FOL) and Partial Overlay (POL) doors. They show the amount of the cabinet face frame that is visible when Full Overlay doors or Partial Overlay doors are selected.

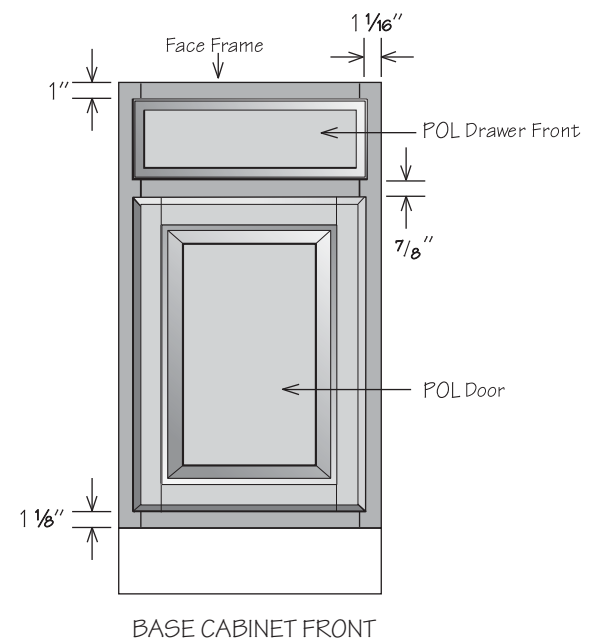
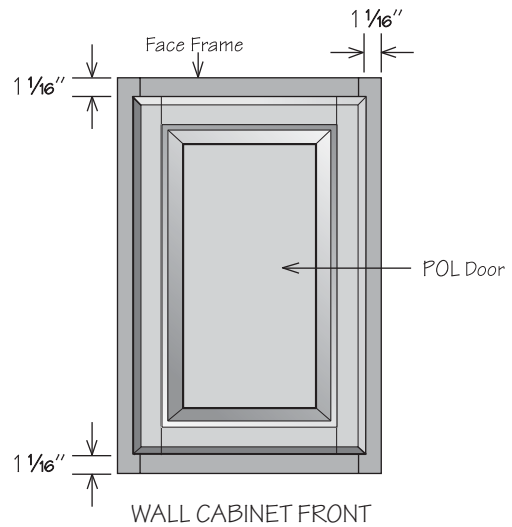
Full Overlay

Full Overlay (FOL) doors are sized to cover nearly all of the cabinet face frame. Full Overlay door styles require decorative hardware. **To facilitate proper door operation, include at least a 1" filler between the hinged side of Full Overlay door styles and deeper adjacent objects including cabinets, walls, appliances and countertops.**

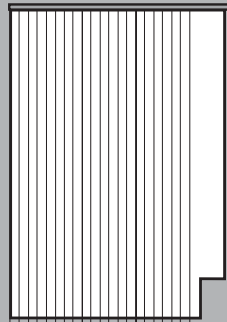
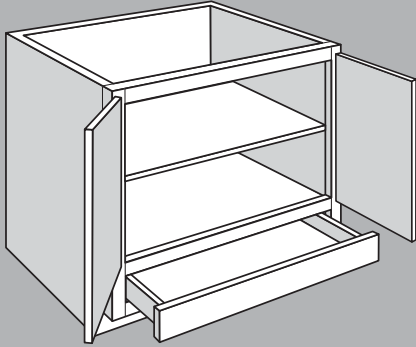
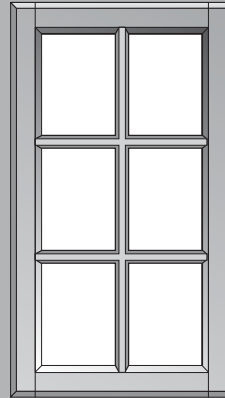
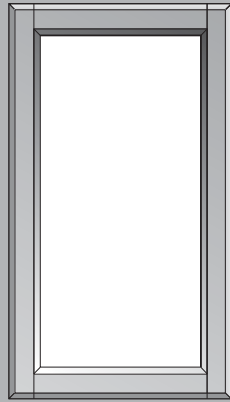


Partial Overlay

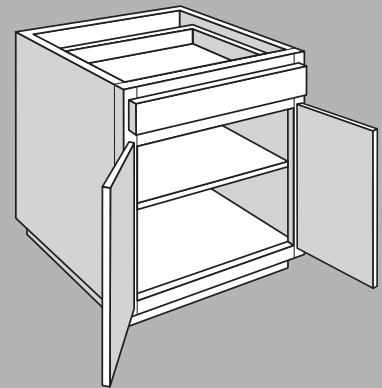
Partial Overlay (POL) doors are sized to show about an inch of the cabinet face frame, giving the door some visual depth.



Construction Options



23|21|19|17|15|13|11|9|7|5|
24" 22 20 18 16 14 12 10 8 6 4"



| CONSTRUCTION OPTIONS | CODE |
|--|--|
| All Plywood Construction Option | APC |
| Cabinet Front Only Option | CFO |
| CushionClose Package | (Pre-selected in 2020) |
| Furniture Ends Option | FE |
| Increased Depth Option | ID |
| Inverted Frame Option | IF |
| Matching Interior Option | MI |
| Plywood Ends Option | PE |
| Premium Finish Options | Painted Biscotti Glaze Painted Black Painted Boulder Painted Ember Glaze Painted Harbor Painted Linen Painted Navy Painted Pewter Glaze Painted Sage Painted Stone Painted Vanilla |
| Recessed Toe Kick Option | RTKL (Recessed Toe Kick Left) RTKR (Recessed Toe Kick Right) RTKB (Recessed Toe Kick Both) |
| Reduced Depth Option | RD |
| Void Door Option - NO Molding | VDO-DFH (Drilled For Hinges) |
| Void Door Options - INCLUDING Molding | VDO-SAM (Shaker Accent Molding) VDO-SBAM (Single Bead Accent Molding) |
| Void Top Drawer Option | VTD |
| Remove CushionClose for Doors | XCDO |
| Remove CushionClose for Drawers | XCDW |
| Remove CushionClose for Roll Out Accessories | XCRO |

| SPECIALTY DOOR (SD) OPTIONS | CODE |
|-----------------------------|------|
| Mullion Frame Door | MFD |
| Open Frame Door | OFD |

1. When the option appears, it indicates the construction option is available for all SKU's in the product box unless otherwise noted.

In this product box, all SKUs (B36, B39, B42 and B48) are available with All Plywood Construction, Cabinet Front Only, Furniture Ends, Inverted Frame Plywood Ends, Reduced Depth and Recessed Toe Kick options.

| Base Cabinet 2 Doors, 2 Drawers | |
|---|-----|
| B36 | APC |
| B39 | CFO |
| B42 | FE |
| B48 | IF |
| | PE |
| | RD |
| | RTK |

2. When a square ■ is included within the icon and next to the SKU, it indicates the construction option is ONLY available for that specific SKU.

In this product box, only the W930, W1230, W1530, W1830, W2130 and W2430 are available with the Void Door or Matching Interior Options as the Specialty Door (SD) cabinets feature Matching Interior standard.

| Wall Cabinet 30" High, 1 Door | |
|---|-------|
| ■ W930 | APC |
| ■ W1230 | CFO |
| ■ W1530 | FE |
| ■ W1830 | ID |
| ■ W2130 | ■ MI |
| ■ W2430 | PE |
| | RD |
| | ■ VDO |
| W1230 SD | |
| W1530 SD | |
| W1830 SD | |
| W2130 SD | |

3. When a construction icon is not listed, it indicates the construction option is NOT available for any SKU in the product box.

In this product box, none of the SKUs are available with Matching Interior, Void Door or Void Top Drawer Options as these icons are not listed.

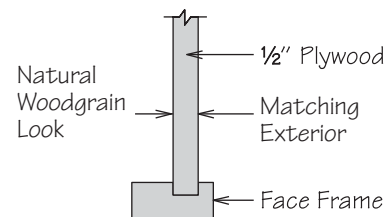
| Base Cabinet 1 Door, 1 Drawer | |
|---|-----|
| B12 | APC |
| B15 | CFO |
| B18 | FE |
| B21 | IF |
| B24 | PE |
| | RD |
| | RTK |

All Plywood Construction Option

APC

All Plywood Construction Option includes:

- ½" plywood sides, floors and cabinet tops
- ¾" plywood shelves with edge banding
- ⅝" plywood captured back
- ½" plywood inset toe kick
- ½" plywood corner blocks (excluding BEA/BER/BPP/BPPUS/BTDP/CAR cabinets)



Notes:

- Exterior sides finished to match specific cabinet box exterior.
- Plywood will be visible from top and bottom of side panels.
- Available for individual cabinets or entire kitchen.
- Available for all door styles.
- All door styles feature standard interior sides with a natural woodgrain look and matching exterior sides.
- **Cannot be ordered with Plywood Ends Option.**
- Available with Matching Interior Option. Please refer to the product SKU box for details.
- Toe kick support blocks are not plywood.
- Roll out accessories and drawer inserts will not feature All Plywood Construction.
- All Plywood Construction refers to the cabinet box components and shelving as detailed above (certain parts and accessories are not available with this construction option).
- Plywood can consist of a combination of veneer and medium density fiberboard (MDF) layers to achieve superior product stability and finish quality. Plywood components meet the ANSI/Decorative Hardwoods Association hardwood and decorative plywood standards (www.decorativehardwoods.org).

Plywood Ends Option

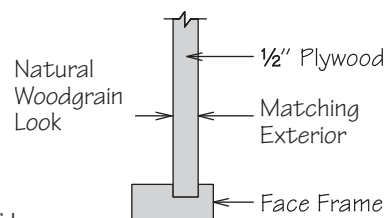
PE

Plywood Ends Option includes:

- ½" plywood cabinet sides

Notes:

- Exterior sides finished to match cabinet box exterior.
- Plywood will be visible from top and bottom of side panels.
- Available for individual cabinets or entire kitchen.
- All door styles feature standard interior sides with a natural woodgrain look and matching exterior sides.
- **Cannot be ordered with All Plywood Construction Option or Furniture Ends Option.**
- Available with Matching Interior Option. Please refer to the product SKU box for details.
- Plywood Ends refers to the cabinet box side panels as detailed above (certain parts and accessories are not available with this construction option).
- Plywood can consist of a combination of veneer and medium density fiberboard (MDF) layers to achieve superior product stability and finish quality. Plywood components meet the ANSI/Decorative Hardwoods Association hardwood and decorative plywood standards (www.decorativehardwoods.org).



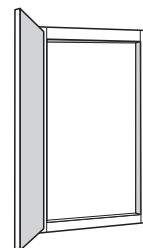
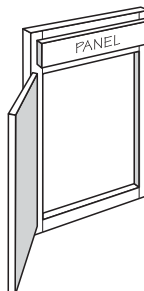
Cabinet Front Only Option

CFO

The Cabinet Front Only Option is available for most cabinets with a frame.

Notes:

- This option consists of the cabinet front face frame, door(s), drawer front(s) and hinges.
- Toe kicks are not included.
- This option is only available for cabinets without accessories.



| | Standard Construction | Plywood Ends Option (PE) | All Plywood Construction Option (APC) |
|---|--|--|--|
| Cabinet Sides | ½" Engineered Wood | ½" Plywood | ½" Plywood |
| Cabinet Floor | ½" Engineered Wood | ½" Engineered Wood | ½" Plywood |
| Cabinet Top (Wall Cabinets Only) | ½" Engineered Wood | ½" Engineered Wood | ½" Plywood |
| Cabinet Back | ⅛" Hardboard Substrate captured | ⅛" Hardboard Substrate captured | ⅛" Plywood captured |
| Inset Toe Kick | ½" Engineered Wood | ½" Engineered Wood | ½" Plywood |
| Corner Blocks (excluding BER/BSS/CAR/CBS/CSB cabinets) | ½" Engineered Wood | ½" Engineered Wood | ½" Plywood |
| Shelves | ¾" Engineered Wood with Edge Banding | ¾" Engineered Wood with Edge Banding | ¾" Plywood with Edge Banding |
| Wall Cabinet Hanging Rails | ½" Engineered Wood Top and Bottom Rails | ½" Engineered Wood Top and Bottom Rails | ½" Plywood Top and Bottom Rails |
| Base Cabinet Hanging Rails | ¾" Hardwood Top Rail ½" Engineered Wood Bottom Rail | ¾" Hardwood Top Rail ½" Engineered Wood Bottom Rail | ¾" Hardwood Top Rail ½" Plywood Bottom Rail |

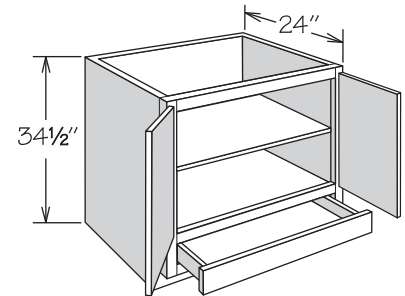
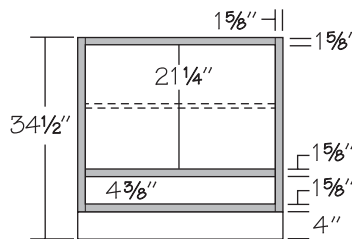
Inverted Frame Option

IF

The Inverted Frame Cabinet Option is available for most Standard Base Cabinets, Base Cabinets with Factory Installed Wastebasket(s) and Base Pot & Pan Organizer Cabinets.

Notes:

- Drawer(s) below full cabinet floor.
- Available with All Plywood Construction (APC), Furniture Ends (FE), Plywood Ends (PE), Reduced Depth (RD) and Recessed Toe Kick (RTK) options.
- Back is not predrilled for Deep Roll Out Trays (DROT's).



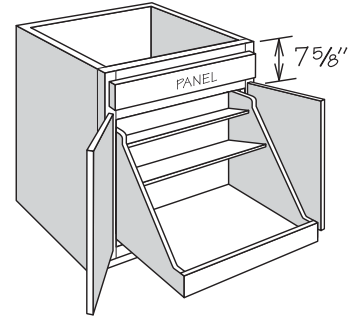
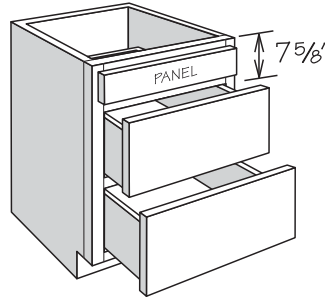
Void Top Drawer Option

VTD

The Void Top Drawer Option is available for most 3 Drawer Base, 4 Drawer Base, Base with Deep Roll Out Trays, Base with Pot & Pan Organizer and Peninsula Base cabinets,

Notes:

- This option removes the drawer body and glide system and replaces it with a false panel on any top drawer(s).
- On cabinets with multiple top drawers, all top drawers will be voided.
- When used with a drop-in appliance, there is a height clearance of 7 5/8" from the top of the cabinet to the top of the door/drawer opening below the voided drawer.
- Subtract 1 1/2" from width and depth for available top opening - removal of corner blocks may be required.
- Removal of the top rail is not recommended.
- Refer to appliance manufacturer's specifications for adequate clearances and required installation materials.



Void Door Option

VDO

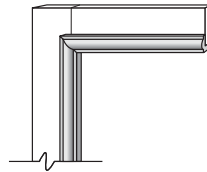
The Void Door Option is available for most wall cabinets. All void door cabinets ship without doors or hinges - center stiles and adjustable shelves will remain. Cabinet frames are pre-drilled for door hinges. All void door wall top hinge cabinets ship without door, lid stays and hinges.

Refer to the descriptions below to select the correct option for your layout:

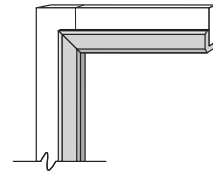
- VDO-DFH (Drilled For Hinges)
- VDO-SBAM (Single Bead Accent Molding)
- VDO-SAM (Shaker Accent Molding)

Notes for VDO with Molding:

- Can be used to create decorative open cabinets
- Decorative Accent Moldings will conceal hinge holes
- Molding is to be cut and field installed at the job site
- When matching interior is desired, the Matching Interior Option must be selected



VDO-SBAM
Single Bead Accent
Molding



VDO-SAM
Shaker Accent
Molding

Premium Finish Option

Our premium finishes accentuate the detailing and textures of the cabinetry.

- Luxurious paint which emphasizes lines and rich detail with an inviting texture.
- Glazes that settle into the recesses, corners and grooves to add definition and a distinctive patina.
- Glazes are applied over a painted base.

| Premium Finish | Base Finish Details | Glaze Details | Available Collections |
|-------------------------------|---------------------|---------------------|---|
| Painted Biscotti Glaze | Painted Vanilla | Neutral Brown Glaze | Adelaide, Adelaide w/ DFO, Ashland, Brookland, Brookland w/ DFO, Garner, Garner w/ DFO, MacArthur, Portola, Portola w/ DFO, Savannah and Westerly |
| Painted Ember Glaze | Painted Harbor | Warm Brown Gray | Adelaide, Adelaide w/ DFO, Ashland, Brookland , Brookland w/ DFO, Garner, Garner w/ DFO, MacArthur, Portola, Portola w/ DFO, Savannah and Westerly |
| Painted Pewter Glaze | Painted Linen | Dark Gray | Adelaide, Adelaide w/ DFO, Ashland, Brookland , Brookland w/ DFO, Garner, Garner w/ DFO, MacArthur, Portola, Portola w/ DFO, Savannah and Westerly |

| Premium Finish | Finish Details | Available Collections |
|------------------------|------------------------|--|
| Painted Black | Black Paint | Adelaide, Adelaide w/ DFO, Ashland, Brookland, Brookland w/ DFO, Garner, Garner w/ DFO, Hanover, Leesburg, Leesburg w/ DFO, MacArthur, Portola, Portola w/ DFO, Reading, Reading w/ DFO, Savannah, Shorebrook and Westerly |
| Painted Boulder | Dark Gray Paint | Adelaide, Adelaide w/ DFO, Ashland, Brookland , Brookland w/ DFO, Garner, Garner w/ DFO, Hanover , Leesburg, Leesburg w/ DFO, MacArthur, Portola, Portola w/ DFO, Reading, Reading w/ DFO, Savannah, Shorebrook and Westerly |
| Painted Harbor | Soft Warm Gray Paint | Adelaide, Adelaide w/ DFO, Ashland, Brookland , Brookland w/ DFO, Garner, Garner w/ DFO, Hanover , Leesburg, Leesburg w/ DFO, MacArthur, Portola, Portola w/ DFO, Reading, Reading w/ DFO, Savannah, Shorebrook and Westerly |
| Painted Linen | Soft White Paint | Adelaide, Adelaide w/ DFO, Ashland, Brookland , Brookland w/ DFO, Garner, Garner w/ DFO, Hanover , Leesburg, Leesburg w/ DFO, MacArthur, Portola, Portola w/ DFO, Reading, Reading w/ DFO, Savannah, Shorebrook and Westerly |
| Painted Navy | Dark Blue Paint | Adelaide, Adelaide w/ DFO, Ashland, Brookland , Brookland w/ DFO, Garner, Garner w/ DFO, Hanover , Leesburg, Leesburg w/ DFO, MacArthur, Portola, Portola w/ DFO, Reading, Reading w/ DFO, Savannah, Shorebrook and Westerly |
| Painted Sage | Cool Dark Green Paint | Adelaide, Adelaide w/ DFO, Ashland, Brookland , Brookland w/ DFO, Garner, Garner w/ DFO, Hanover , Leesburg, Leesburg w/ DFO, MacArthur, Portola, Portola w/ DFO, Reading, Reading w/ DFO, Savannah, Shorebrook and Westerly |
| Painted Stone | Medium Cool Gray Paint | Adelaide, Adelaide w/ DFO, Ashland, Brookland , Brookland w/ DFO, Garner, Garner w/ DFO, Hanover , Leesburg, Leesburg w/ DFO, MacArthur, Portola, Portola w/ DFO, Reading, Reading w/ DFO, Savannah, Shorebrook and Westerly |
| Painted Vanilla | Warm Soft White Paint | Adelaide, Adelaide w/ DFO, Ashland, Brookland, Brookland w/ DFO, Garner, Garner w/ DFO, Hanover, Leesburg, Leesburg w/ DFO, MacArthur, Portola, Portola w/ DFO, Reading, Reading w/ DFO, Savannah, Shorebrook and Westerly |

Reduced Depth Option**RD**

The Reduced Depth Option should be used when ordering less than standard depth cabinets. The Reduced Depth Option is available in 1" increments; minimum depth is 4". Vanity and Desk cabinets will reduce to standard Reduced Depth increments (i.e. Vanity cabinets with RD-20 will measure 20" in depth).

Notes:

- There is a potential tipping hazard for Reduced Depth Cabinets until they are mounted to a wall.
- Peninsula Base cabinets reduced to 11" or less will not have an inset toe kick.
- Adjustable shelves are reduced in 1" increments to match Reduced Depth Option selected on cabinet(s).
- Adding the Reduced Depth Option does not remove adjustable shelves (where applicable).
- All cabinets reduced to 5" or less will not have an inset toe kick.
- Universal Design cabinets reduced to 9" or less will not have an inset toe kick.
- All cabinets reduced to 8" or less are not available with the Recessed Toe Kick Option.
- Universal Design cabinets reduced to 11" or less are not available with the Recessed Toe Kick Option.
- Reduced depth restrictions:
 - 24" Deep Wall Top Hinge cabinets are only available with RD-23 through RD-8.
 - 12" Deep Wall Top Hinge cabinets are only available with RD-11 through RD-8.
 - Base End Angle (BEA12 FH) cabinets are only available with RD-23 through RD-18.
 - Knee-hole Drawer cabinets are only available with RD-20 through RD-12.
 - Two Drawer Base cabinets are only available with RD-23 through RD-21.
 - 24" Deep Furniture Drawer cabinets are only available with RD-23 through RD-13.

| Reduced Depth | Drawer Depth Base & 24" Deep Desk Cabinets | Drawer Depth Vanity & 21" Deep Desk Cabinets | Deep Roll Out Tray Depth |
|---------------|--|--|-----------------------------|
| RD-23 | 18" | — | 18" |
| RD-22 | 18" | — | 18" |
| RD-21 | 18" | — | 18" |
| RD-20 | 15" | 15" | 15" |
| RD-19 | 15" | 15" | 15" |
| RD-18 | 15" | 15" | 15" |
| RD-17 | 12" | 12" | 12" |
| RD-16 | 12" | 12" | 12" |
| RD-15 | 12" | 12" | 12" |
| RD-14 | 9 ⁷ / ₁₆ " | 9 ⁷ / ₁₆ " | 9" |
| RD-13 | 9 ⁷ / ₁₆ " | 9 ⁷ / ₁₆ " | 9" |
| RD-12 | 9 ⁷ / ₁₆ " | 9 ⁷ / ₁₆ " | 9" |
| RD-11 to RD-4 | No Drawer | No Drawer | Not Available |

Increased Depth Option

ID

The Increased Depth Option is available for most Wall cabinets up to 36" wide and all Bookshelves. The Increased Depth Option is available in 1" increments; maximum depth is 24".

Notes:

Wall Cabinets:

- Adjustable shelves are increased in 1" increments to match Increased Depth Option selected on cabinets.
- Wall cabinets increased to more than 18" deep must be stacked, floor mounted or installed over a refrigerator.
- All Increased Depth cabinets must be securely attached in one of the following combinations: to studs in back wall and both sides (e.g., two adjacent cabinets or one adjacent cabinet and a wall) OR to studs in back wall, one side and top.

Peninsula Wall (PW) and Blind Peninsula Wall (BLPW) Cabinets:

- Increased Depth PW and BLPW cabinets up to 15" deep may be mounted at ceiling height using standard installation procedures.
- PW and BLPW cabinets increased to more than 15" deep must be stacked or floor mounted.
- When mounting cabinet at ceiling height, the cabinet must be securely attached to the ceiling rafters and to at least one other properly mounted cabinet or studs in wall.
- Additional 2" x 4" bracing may be required above ceiling if cabinets are not located directly below a rafter.
- Mount cabinet to the ceiling using mounting screws of sufficient length to go through ceiling treatment and into the rafter at least 1". Screws must be installed at both front and back of cabinet on 16" centers (maximum span), with at least four screws per cabinet.

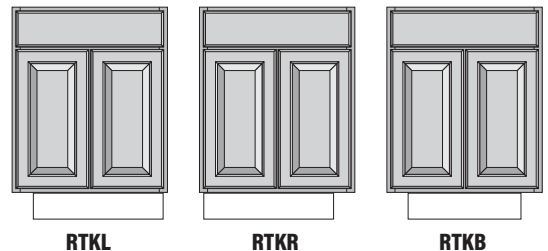
Recessed Toe Kick Option

RTK

The Recessed Toe Kick Option is available on most Base, Desk and Vanity base cabinetry. When the Recessed Toe Kick Option is selected, left, right or both must be specified.

Notes:

- Recommended for cabinets at the end of a run, especially in island and peninsula designs.
- Recessed side(s) are constructed of ½" thick unfinished plywood and are recessed 3½" to match front of cabinet.
- **Recessed Toe Kick box is not flush on non-recessed side.**
- Blind Corner Base cabinets (BLB_) are only available with the Recessed Toe Kick Both Option (RTKB).
- BEA24 FH and BEA12 FH Base End Angle, BPP9 Base Pantry Pull Out, BPPUS9 Base Pantry Pull Out Utensil Storage, BTDP9 Base Tray Divider Pull Out, TB9 and TB9 TDS Tray Base, and 12"-15" Universal Design Base cabinets are not available with the Recessed Toe Kick Both Option (RTKB).
- Not available for cabinets with the Reduced Depth Option of RD-8 and lower.
- Not available for Peninsula Base or Universal Design Base cabinets with the Reduced Depth Option of RD-11 and lower.
- For Peninsula Base cabinets, the drawer side indicates the front of the cabinet.
- Peninsula Base cabinets ordered with Recessed Toe Kick Option must be secured to the floor through the cabinet bottom into bracing secured to the floor.
- Base Toe Kick (BTK8) required for front and any exposed side(s).



CushionClose Package

The CushionClose package includes CushionClose for Drawers (including full-height pull outs), CushionClose for Doors and CushionClose for Roll Out Accessories and is pre-selected in 2020.

Notes:

- CushionClose for Drawers and CushionClose for Roll Out Accessories provide all of the features and benefits of the standard Full-Access Hidden Glides System with the addition of an integrated slow-close mechanism that reduces slamming and noise.
- CushionClose for Doors features a slow closing mechanism that helps reduce slams and noise.
- Decorative hardware strongly recommended.
- CushionClose is not available for BER_, BFP_, BSDC6, BSS_, CAR_, MC_, TV_30, WER_ and WTH_.

Remove CushionClose for Doors

XCDO

The Remove CushionClose for Doors option is available for most cabinets with a door.

Notes:

- This option removes CushionClose for Doors.

Remove CushionClose for Drawers

XCDW

The Remove CushionClose for Drawers option is available for all cabinets with a drawer.

Notes:

- Removes CushionClose for Drawers and replaces glides with Full-Access Hidden Glides.
- Glides on the wastebasket pull out will be replaced with heavy-duty non-CushionClose glides.
- CushionClose cannot be removed from 2 Drawer Base cabinets.

Remove CushionClose Roll Out Accessories

XCRO

The Remove CushionClose for Roll Out Accessories is available for most cabinets.

Notes:

- This option removes CushionClose from Roll Out Accessories and replaces glides with side-mounted glides.

Furniture Ends Option

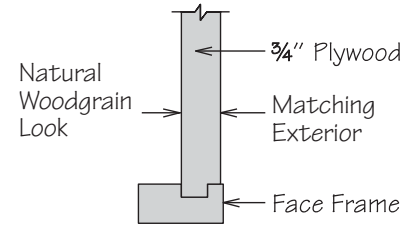
FE

Furniture Ends Option includes:

- ¾" plywood cabinet sides

Notes:

- Exterior sides feature plywood finished to match specific cabinet box exterior.
- Plywood will be visible from top and bottom of side panels.
- Available on individual cabinets except BEA24 FH Base End Angle and WEA12 Wall End Angle cabinets.
- Both side panels convert to ¾" plywood sides except BEA12 FH Base End Angle cabinet which converts the 12" side panel only.
- Available for all door styles.
- All door styles feature standard interior sides with a natural woodgrain look and matching exterior sides.
- Cannot be ordered with Plywood Ends Option.
- End panels are not required for installation of Decorator Matching Doors to cabinets with the Furniture Ends Option.
- Cabinet Angle Molding (CAM8) cannot be used with cabinets with the Furniture Ends Option.
- Sink Front Return (SFR R/L) with the Furniture Ends Option will include a rabbeted front edge.
- A seam will be visible between stacked cabinets and on 93" and 96" Tall cabinets between the toe kick box and the cabinet. Use decorative molding to conceal this seam.
- Plywood can consist of a combination of veneer and MDF layers to achieve superior product stability and finish quality. Plywood components meet the ANSI/Decorative Hardwoods Association hardwood and decorative plywood standards (www.decorativehardwoodsassociation.org).



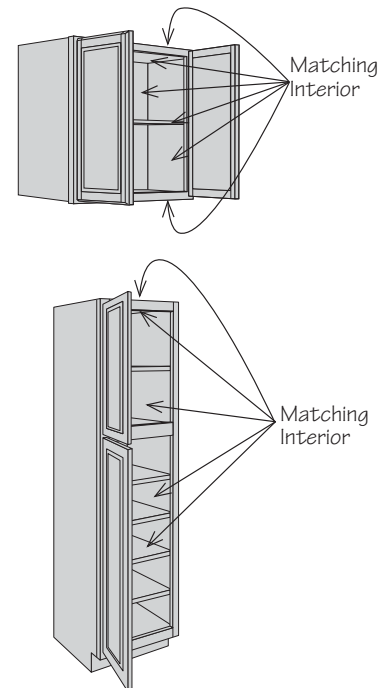
Matching Interior Option

MI

The Matching Interior Cabinet Option is available for Wall cabinets (with exceptions noted below), Utility cabinets, Vanity Linen cabinets and Refrigerator Return Panels. This option matches the cabinet's interior, top and bottom to that of the cabinet box exterior. For textured-wrapped Duraform, refer to door style page for box finish.

Notes:

- Available for Wall, Utility and Vanity Linen cabinets with the All Plywood Construction Option (APC), Plywood Ends Option (PE), Furniture Ends Option (FE), Reduced Depth Option (RD), Increased Depth Option (ID) or standard construction.
- American Woodmark strongly recommends using the All Plywood Construction Option (APC) when Matching Interior (MI) is selected.
- Standard construction cabinetry with the Matching Interior Option features two-sided engineered wood side panels finished to match cabinet box exterior.
- Cabinetry with the All Plywood Construction Option (APC), Furniture Ends Option (FE) or Plywood Ends Option (PE) features plywood side panels finished to match cabinet box exterior.
- Matching Interior cabinetry with the All Plywood Construction Option features ¾" plywood shelves finished to match cabinet box exterior.
- Recommended for cabinets with the Void Door Option (VDO).
- Not available for any Wall cabinet with a standard Matching Interior (i.e. Specialty Door cabinets, Bookshelves, Microwave Cabinets, etc.).
- All finished surfaces of the Wall, Utility and Vanity Linen cabinets will be color matched including shelves, back, interior and exterior of returns, top and bottom, Corner Wall back post and back side of Peninsula Wall face frames.
- Interior accessories in Matching Interior cabinets (i.e., Spice Rack Kit, Deep Roll Out Trays, Pantry Swing Out Kit) will remain natural finish.



Specialty Door Options

Specialty Door cabinets are available for most Wall, Utility and Vanity Linen cabinet sizes. All Specialty Door cabinets include Matching Interior as standard and require one of the specialty door options below. Specialty Door options for Utility and Vanity Linen cabinets apply to top door(s) only.

Open Frame Door (OFD) notes:

- Features door frame only with no mullions or center panel.
- Decorative Glass Inserts and appropriate glass clips are shipped separately from the cabinet for field installation - see pages 66-67 for available Glass Inserts.
- See page 62 for door style profiles.

Mullion Frame Door (MFD) notes:

- Features grid-style mullions.
- Not available for Wall Top Hinge cabinets.
- Decorative Glass Inserts and appropriate glass clips are shipped separately from the cabinet for field installation - see pages 66-67 for available Glass Inserts.
- See pages 63-65 for door style profiles.

Specialty Door Availability by Size

| Door Width | Cabinet Door Height | | | | | | | | | |
|------------|---------------------|---------------|---------------|---------------|---------------|---------------|---------------|---------------|---------------|---------------|
| | 12" High Wall | 15" High Wall | 18" High Wall | 21" High Wall | 24" High Wall | 27" High Wall | 30" High Wall | 36" High Wall | 39" High Wall | 42" High Wall |
| 12" Wide | | | ● | | ● | | ● | ● | ● | ● |
| 13" Wide | | | ● | | ● | | ● | ● | ● | ● |
| 15" Wide | ● | ● | ● | ● | ● | ● | ● | ● | ● | ● |
| 16" Wide | ● | ● | ● | ● | ● | | ● | ● | ● | ● |
| 18" Wide | ● | ● | ● | ● | ● | | ● | ● | ● | ● |
| 19" Wide | ● | ● | ● | ● | ● | | ● | ● | ● | ● |
| 21" Wide | | | ● | | ● | | ● | ● | ● | ● |
| 30" Wide | | ■ | ■ | | | | | | | |
| 36" Wide | | ■ | ■ | | | | | | | |

- Available with all Specialty Door Options
- Wall Top Hinge cabinets only - not available with MFD

Specialty Door Availability by Door Style

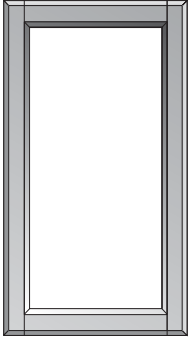
| Door Style | OFD | MFD |
|---------------------------|-----|-----|
| Adelaide | ● | |
| Adelaide w/ DFO | ● | |
| Ashland | ● | ● |
| Brookland | ● | ● |
| Brookland w/ DFO | ● | ● |
| Brookland Duraform | ● | |
| Brookland Duraform w/ DFO | ● | |
| Garner | ● | |
| Garner w/ DFO | ● | |
| Glen Ellen | ● | |
| Glen Ellen w/ DFO | ● | |
| Hanover | ● | |
| Leesburg | ● | ● |
| Leesburg Duraform | ● | |
| Leesburg w/ DFO | ● | ● |
| Leesburg w/ DFO Duraform | ● | |
| MacArthur | ● | |
| Portola | ● | ● |
| Portola w/ DFO | ● | ● |
| Reading | ● | ● |
| Reading w/ DFO | ● | ● |
| Reading w/ DFO Duraform | ● | |
| San Mateo | ● | |
| Savannah | ● | ● |
| Shorebrook | ● | ● |
| Westerly | ● | ● |

Open Frame Specialty Doors

OFD

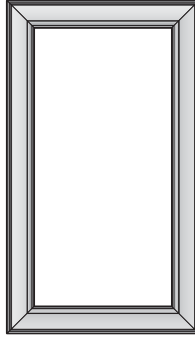
Profile for:

- Ashland
- Portola
- Portola w/ DFO



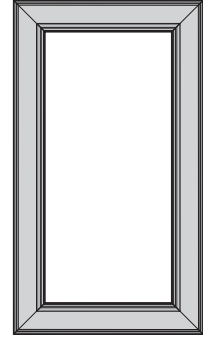
Profile for:

- **Glen Ellen**
- Glen Ellen w/ DFO



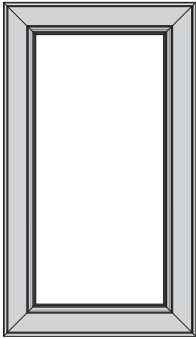
Profile for:

- **Brookland**
- Brookland w/ DFO



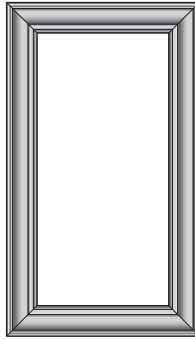
Profile for:

- MacArthur



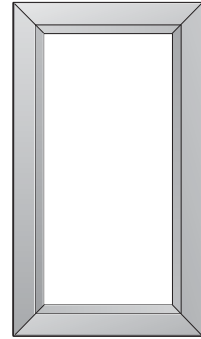
Profile for:

- Savannah



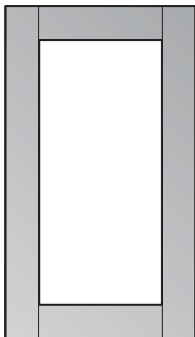
Profile for:

- Garner
- Garner w/ DFO



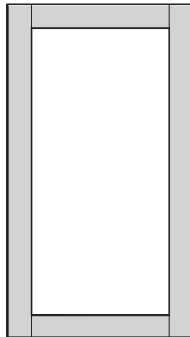
Profile for:

- Hanover
- Reading
- Reading w/ DFO



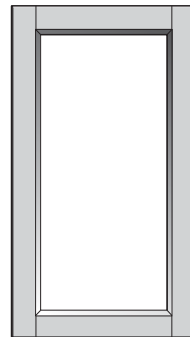
Profile for:

- Leesburg
- Leesburg w/ DFO
- San Mateo
- Shorebrook



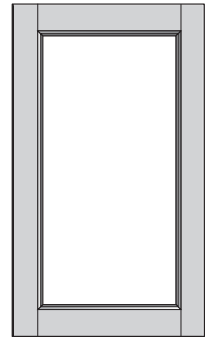
Profile for:

- Westerly



Profile for:

- NEW!** REDESIGN
- Adelaide
- Adelaide w/ DFO

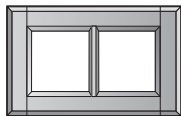


Mullion Frame Specialty Doors

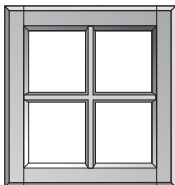
MFD

Profile for:

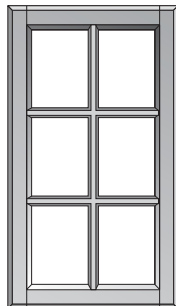
- Ashland
- Portola
- Portola w/ DFO



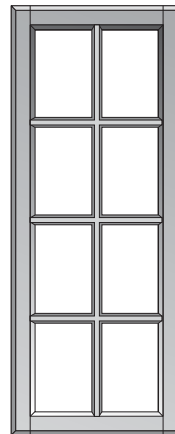
12" High Wall Cabinet



15", 18", 21", 24" or 27" High Wall Cabinet



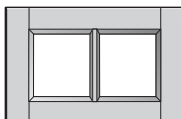
30" or 36" High Wall Cabinet
84" or 90" High Utility Cabinet
84" High Vanity Linen Cabinet



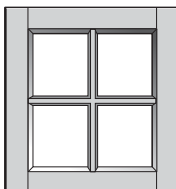
39" or 42" High Wall Cabinet
93" or 96" High Utility Cabinet

Profile for:

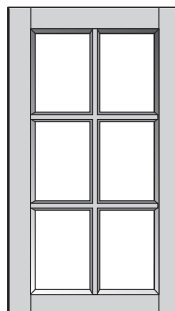
- Westerly



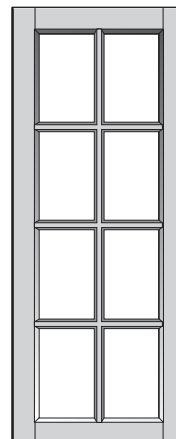
12" High Wall Cabinet



15", 18", 21", 24" or 27" High Wall Cabinet



30" or 36" High Wall Cabinet
84" or 90" High Utility Cabinet
84" High Vanity Linen Cabinet



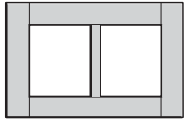
39" or 42" High Wall Cabinet
93" or 96" High Utility Cabinet

Mullion Frame Specialty Doors

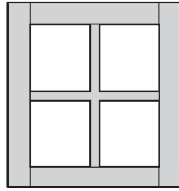
MFD

Profile for:

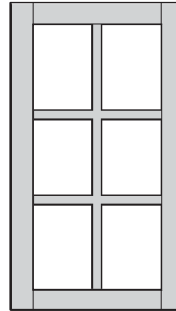
- Leesburg*
- Leesburg w/ DFO*
- Shorebrook



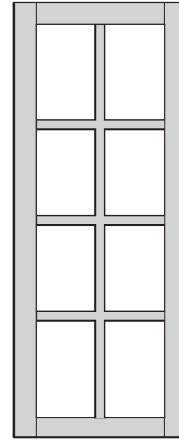
12" High Wall Cabinet



15", 18", 21", 24" or 27" High Wall Cabinet



30" or 36" High Wall Cabinet
84" or 90" High Utility Cabinet
84" High Vanity Linen Cabinet

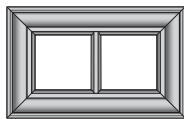


39" or 42" High Wall Cabinet
93" or 96" High Utility Cabinet

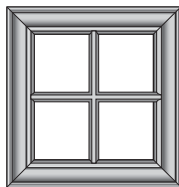
*Not available for Duraform

Profile for:

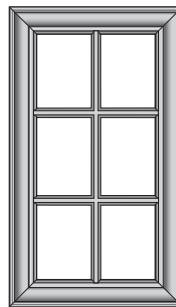
- Savannah



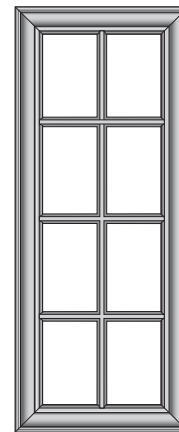
12" High Wall Cabinet



15", 18", 21", 24" or 27" High Wall Cabinet



30" or 36" High Wall Cabinet
84" or 90" High Utility Cabinet
84" High Vanity Linen Cabinet



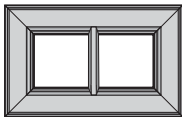
39" or 42" High Wall Cabinet
93" or 96" High Utility Cabinet

Mullion Frame Specialty Doors

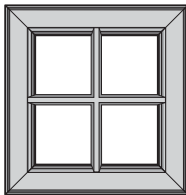
MFD

Profile for:

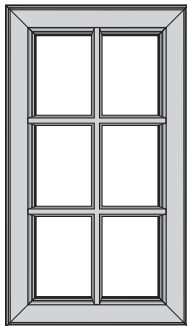
- Brookland*
- Brookland w/ DFO*



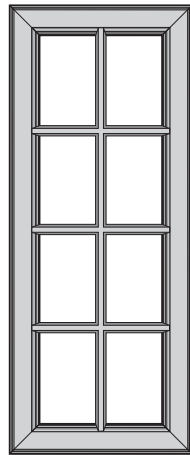
12" High Wall Cabinet



15", 18", 21", 24" or 27" High Wall Cabinet



30" or 36" High Wall Cabinet
84" or 90" High Utility Cabinet
84" High Vanity Linen Cabinet

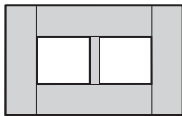


39" or 42" High Wall Cabinet
93" or 96" High Utility Cabinet

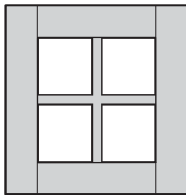
*Not available for Duraform

Profile for:

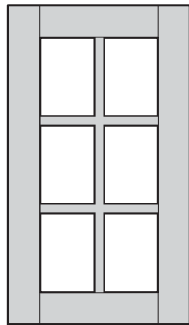
- Reading
- Reading w/ DFO*



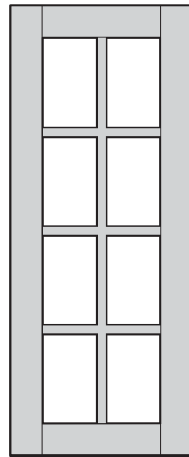
12" High Wall Cabinet



15", 18", 21", 24" or 27" High Wall Cabinet



30" or 36" High Wall Cabinet
84" or 90" High Utility Cabinet
84" High Vanity Linen Cabinet



39" or 42" High Wall Cabinet
93" or 96" High Utility Cabinet

*Not available for Duraform

Clear Glass



MFD
OFD

- 1/8" thick panel
- Clear glass
- Tempered safety glass
- Includes appropriate Decorative Glass Clips
- Order as DGI-___CLEAR, refer to Parts Directory for nomenclature and dimensions

Derbyshire Seeded Glass



MFD
OFD

- 5/16" thick panel
- Clear seeded glass
- Laminated safety glass
- Includes appropriate Decorative Glass Clips
- Order as DGI-___DERBYSHIRE, refer to Parts Directory for nomenclature and dimensions

Frosted Glass



MFD
OFD

- 1/8" thick panel
- Frosted glass with etched finish
- Tempered safety glass
- Includes appropriate Decorative Glass Clips
- Order as DGI-___FROSTED, refer to Parts Directory for nomenclature and dimensions

Frosted Ash Glass



MFD
OFD

- 1/8" thick panel
- Gray tinted glass
- Tint is manufactured in material - not a film
- Tempered safety glass
- Includes appropriate Decorative Glass Clips
- Order as DGI-___FROSTED ASH, refer to Parts Directory for nomenclature and dimensions

Impression Glass



MFD
OFD

- 1/8" thick panel
- Sculptural glass
- Tempered safety glass
- Includes appropriate Decorative Glass Clips
- Order as DGI-___IMPRESSION, refer to Parts Directory for nomenclature and dimensions

Meredith Glass



MFD
OFD

- 1/4" overall thickness (1/8" beveled edge thickness)
- Clear glass design with 1 1/4" wide beveled edges
- Tempered safety glass
- Includes appropriate Decorative Glass Clips
- Order as DGI-___MEREDITH, refer to Parts Directory for nomenclature and dimensions

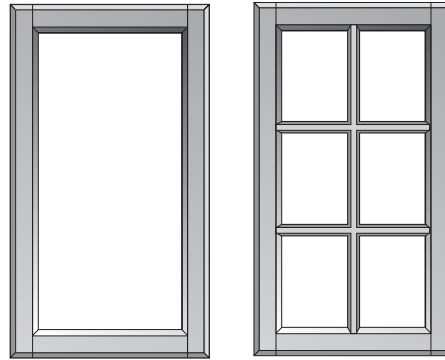
Ribbed Glass



MFD
OFD

- 1/8" thick panel
- Clear ribbed glass
- Tempered safety glass
- Includes appropriate Decorative Glass Clips
- Not available for Wall Top Hinge cabinets
- Order as DGI-__RIBBED, refer to Parts Directory for nomenclature and dimensions

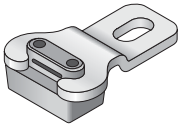
Prepped for Glass



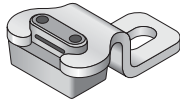
MFD
OFD

- For customer installed inserts up to 5/16" thick
- Refer to pages 62-62 for door style specific profile
- Decorative Glass Clips not included - order separately

Decorative Glass Clips



CLIP DGI 1/8



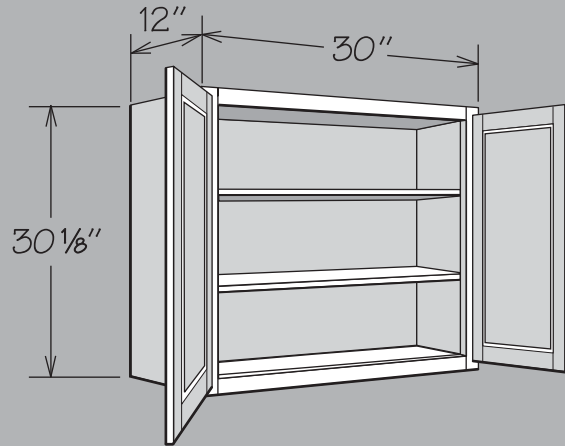
CLIP DGI 5/16

| Glass Insert | CLIP DGI 1/8 | CLIP DGI 5/16 |
|--------------|--------------|---------------|
| Clear | • | |
| Derbyshire | | • |
| Frosted | • | |
| Frosted Ash | • | |
| Impression | • | |
| Meredith | • | |
| Ribbed | • | |

CLIP DGI 1/8
CLIP DGI 5/16

- For installation of Decorative Glass Inserts
- Order one bag (six clips) per door
- See chart for correct glass pairing

Wall Cabinets



Dimensions

Width
9" to 48"

Height
12" to 42"

Depth
Standard 12" or 24"
(Increased Depth & Reduced Depth
optional on select cabinets)

SKU Coding

W
Cabinet Type
(e.g., W=Wall)

30
Width in Inches

30
Height in Inches

BUTT
Door Type

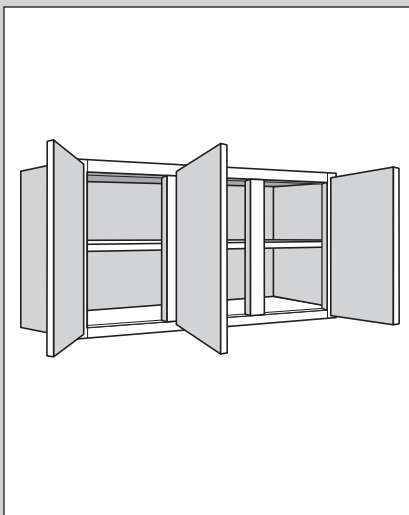
Construction Options & Modifications

- APC**.....All Plywood Construction
- CFO**..... Cabinet Front Only
- FE**..... Furniture Ends
- ID**..... Increased Depth
- MI**..... Matching Interior
- PE**..... Plywood Ends
- RD**..... Reduced Depth
- VDO**..... Void Door Option

Specialty Door (SD) Cabinet Options

- MFD**..... Mullion Frame Door
- OFD**..... Open Frame Door

Standard Wall Cabinets



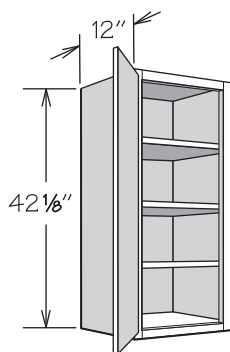
Standard Wall cabinets range from 9" to 48" wide, 12" to 42" high and are 12" deep.

Single door Wall cabinets must be ordered hinged left or right.

For Increased Depth cabinets, please refer to the installation notes listed in the Increased Depth Construction Option section.

Wall Cabinet

42" High, 1 Door

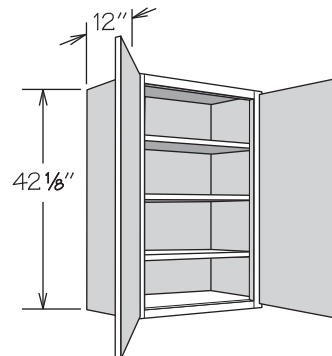


| | |
|----------|-------|
| ■ W942 | APC |
| ■ W1242 | CFO |
| ■ W1542 | FE |
| ■ W1842 | ID |
| ■ W2142 | ■ MI |
| | PE |
| | RD |
| | ■ VDO |
| W1242 SD | |
| W1542 SD | |
| W1842 SD | |
| W2142 SD | |

- Three adjustable shelves

Wall Cabinet

42" High, 2 Butt Doors



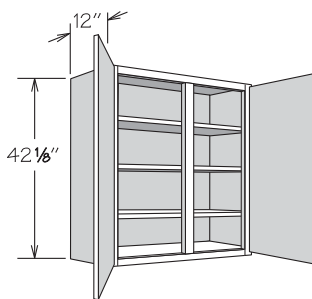
| | |
|---------------|-------|
| ■ W2442 BUTT | APC |
| ■ W2742 BUTT | CFO |
| ■ W3042 BUTT | FE |
| ■ W3342 BUTT | ID |
| ■ W3642 BUTT | ■ MI |
| | PE |
| | RD |
| | ■ VDO |
| W2442 BUTT SD | |
| W2742 BUTT SD | |
| W3042 BUTT SD | |
| W3342 BUTT SD | |
| W3642 BUTT SD | |

- Three adjustable shelves
- Center shelf support provided for cabinets 30" or wider

Wall Cabinet

42" High, 2 Doors

NEW! SIZES

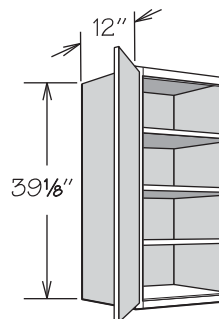


| | |
|----------|-------|
| ■ W3942 | APC |
| ■ W4242 | CFO |
| | FE |
| | ■ MI |
| | PE |
| | RD |
| | ■ VDO |
| W3942 SD | |
| W4242 SD | |

- Three adjustable shelves
- Center shelf support provided

Wall Cabinet

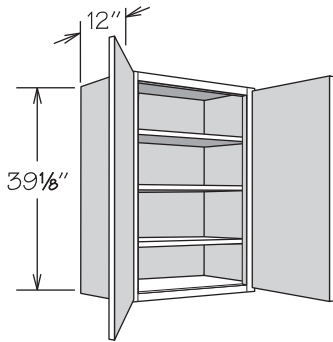
39" High, 1 Door



| | |
|----------|-------|
| ■ W939 | APC |
| ■ W1239 | CFO |
| ■ W1539 | FE |
| ■ W1839 | ID |
| ■ W2139 | ■ MI |
| | PE |
| | RD |
| | ■ VDO |
| W1239 SD | |
| W1539 SD | |
| W1839 SD | |
| W2139 SD | |

- Three adjustable shelves

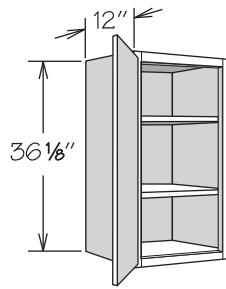
Wall Cabinet
39" High, 2 Butt Doors



| | |
|---------------|-----|
| ■ W2439 BUTT | APC |
| ■ W2739 BUTT | CFO |
| ■ W3039 BUTT | FE |
| ■ W3339 BUTT | ID |
| ■ W3639 BUTT | MI |
| | PE |
| | RD |
| | VDO |
| W2439 BUTT SD | |
| W2739 BUTT SD | |
| W3039 BUTT SD | |
| W3339 BUTT SD | |
| W3639 BUTT SD | |

- Three adjustable shelves
- Center shelf support provided for cabinets 30" or wider

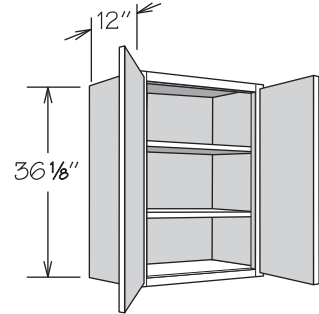
Wall Cabinet
36" High, 1 Door



| | |
|----------|-----|
| ■ W936 | APC |
| ■ W1236 | CFO |
| ■ W1536 | FE |
| ■ W1836 | ID |
| ■ W2136 | MI |
| | PE |
| | RD |
| | VDO |
| W1236 SD | |
| W1536 SD | |
| W1836 SD | |
| W2136 SD | |

- Two adjustable shelves

Wall Cabinet
36" High, 2 Butt Doors

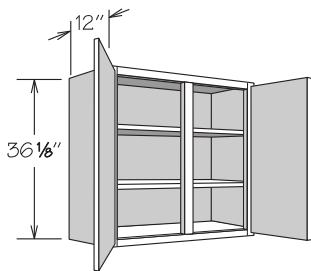


| | |
|---------------|-----|
| ■ W2436 BUTT | APC |
| ■ W2736 BUTT | CFO |
| ■ W3036 BUTT | FE |
| ■ W3336 BUTT | ID |
| ■ W3636 BUTT | MI |
| | PE |
| | RD |
| | VDO |
| W2436 BUTT SD | |
| W2736 BUTT SD | |
| W3036 BUTT SD | |
| W3336 BUTT SD | |
| W3636 BUTT SD | |

- Two adjustable shelves
- Center shelf support provided for cabinets 30" or wider

Wall Cabinet
36" High, 2 Doors

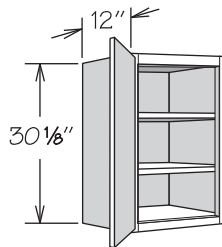
NEW! SIZES



| | |
|----------|-----|
| ■ W3936 | APC |
| ■ W4236 | CFO |
| | FE |
| | ID |
| | MI |
| | PE |
| | RD |
| | VDO |
| W3936 SD | |
| W4236 SD | |

- Two adjustable shelves
- Center shelf support provided

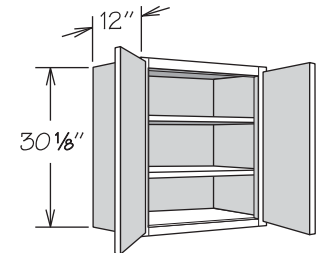
Wall Cabinet
30" High, 1 Door



| | |
|----------|-----|
| ■ W930 | APC |
| ■ W1230 | CFO |
| ■ W1530 | FE |
| ■ W1830 | ID |
| ■ W2130 | MI |
| ■ W2430 | PE |
| | RD |
| | VDO |
| W1230 SD | |
| W1530 SD | |
| W1830 SD | |
| W2130 SD | |

- Two adjustable shelves

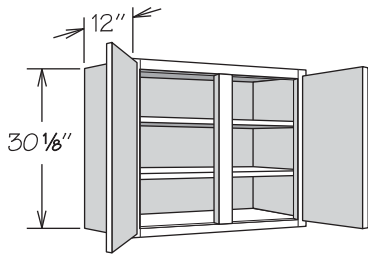
Wall Cabinet
30" High, 2 Butt Doors



| | |
|---------------|-----|
| ■ W2430 BUTT | APC |
| ■ W2730 BUTT | CFO |
| ■ W3030 BUTT | FE |
| ■ W3330 BUTT | ID |
| ■ W3630 BUTT | MI |
| | PE |
| | RD |
| | VDO |
| W2430 BUTT SD | |
| W2730 BUTT SD | |
| W3030 BUTT SD | |
| W3330 BUTT SD | |
| W3630 BUTT SD | |

- Two adjustable shelves
- Center shelf support provided for cabinets 30" or wider

Wall Cabinet
30" High, 2 Doors

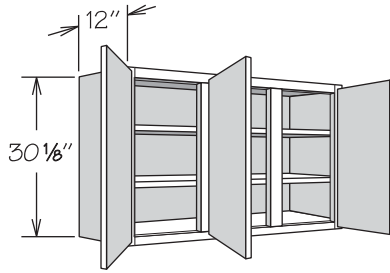


- W3930
- W4230
- W4830
- W3930 SD
- W4230 SD

- | |
|-------|
| APC |
| CFO |
| FE |
| ■ MI |
| PE |
| RD |
| ■ VDO |

- Two adjustable shelves
- Center shelf support provided

Wall Cabinet
30" High, 3 Doors

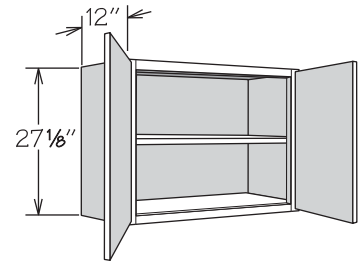


- W4530
- W4530 SD

- | |
|-------|
| APC |
| CFO |
| FE |
| ■ MI |
| PE |
| RD |
| ■ VDO |

- Two adjustable shelves
- Center shelf support provided
- Hinged as shown

Wall Cabinet
27" High, 2 Butt Doors

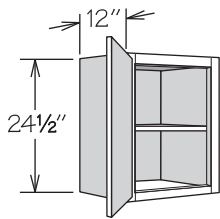


- W3027 BUTT
- W3027 BUTT SD

- | |
|-------|
| APC |
| CFO |
| FE |
| ID |
| ■ MI |
| PE |
| RD |
| ■ VDO |

- One adjustable shelf
- Center shelf support provided

Wall Cabinet
24" High, 1 Door

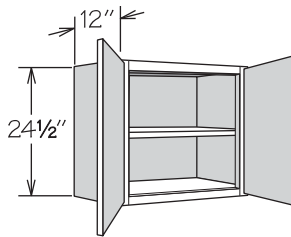


- W1224
- W1524
- W1824
- W2124
- W1224 SD
- W1524 SD
- W1824 SD
- W2124 SD

- | |
|-------|
| APC |
| CFO |
| FE |
| ID |
| ■ MI |
| PE |
| RD |
| ■ VDO |

- One adjustable shelf

Wall Cabinet
24" High, 2 Butt Doors

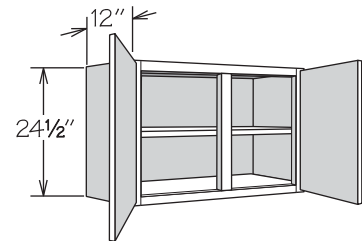


- W2424 BUTT
- W2724 BUTT
- W3024 BUTT
- W3324 BUTT
- W3624 BUTT
- W2424 BUTT SD
- W2724 BUTT SD
- W3024 BUTT SD
- W3324 BUTT SD
- W3624 BUTT SD

- | |
|-------|
| APC |
| CFO |
| FE |
| ID |
| ■ MI |
| PE |
| RD |
| ■ VDO |

- One adjustable shelf
- Center shelf support provided for cabinets 30" or wider

Wall Cabinet
24" High, 2 Doors

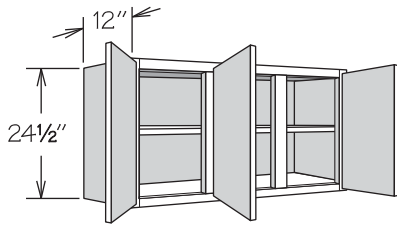


- W3924
- W4224
- W3924 SD
- W4224 SD

- | |
|-------|
| APC |
| CFO |
| FE |
| ■ MI |
| PE |
| RD |
| ■ VDO |

- One adjustable shelf
- Center shelf support provided

Wall Cabinet
24" High, 3 Doors

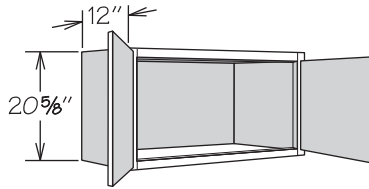


- W4524
- W4524 SD

| |
|-------|
| APC |
| CFO |
| FE |
| ■ MI |
| PE |
| RD |
| ■ VDO |

- One adjustable shelf
- Center shelf support provided
- Hinged as shown

Wall Cabinet
21" High, 2 Butt Doors

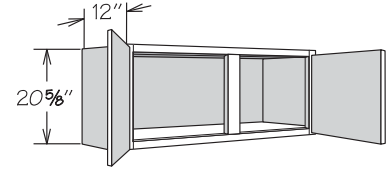


- W3021 BUTT
- W3321 BUTT
- W3621 BUTT
- W3021 BUTT SD
- W3321 BUTT SD
- W3621 BUTT SD

| |
|-------|
| APC |
| CFO |
| FE |
| ID |
| ■ MI |
| PE |
| RD |
| ■ VDO |

- No shelf
- Not drilled for adjustable shelf

Wall Cabinet
21" High, 2 Doors

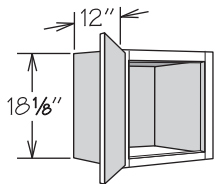


- W3921
- W3921 SD

| |
|-------|
| APC |
| CFO |
| FE |
| ■ MI |
| PE |
| RD |
| ■ VDO |

- No shelf
- Not drilled for adjustable shelf

Wall Cabinet
18" High, 1 Door

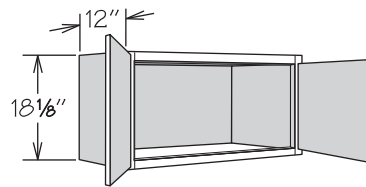


- W1218
- W1518
- W1818
- W2118
- W1218 SD
- W1518 SD
- W1818 SD
- W2118 SD

| |
|-------|
| APC |
| CFO |
| FE |
| ID |
| ■ MI |
| PE |
| RD |
| ■ VDO |

- No shelf
- Not drilled for adjustable shelf

Wall Cabinet
18" High, 2 Butt Doors

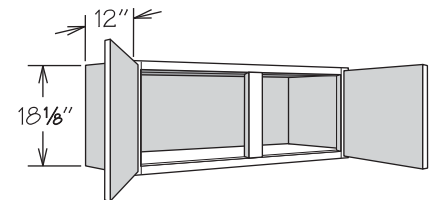


- W2418 BUTT
- W2718 BUTT
- W3018 BUTT
- W3318 BUTT
- W3618 BUTT
- W2418 BUTT SD
- W2718 BUTT SD
- W3018 BUTT SD
- W3318 BUTT SD
- W3618 BUTT SD

| |
|-------|
| APC |
| CFO |
| FE |
| ID |
| ■ MI |
| PE |
| RD |
| ■ VDO |

- No shelf
- Not drilled for adjustable shelf

Wall Cabinet
18" High, 2 Doors

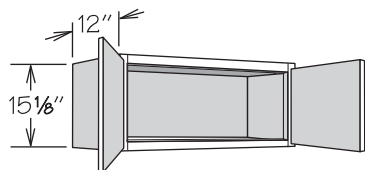


- W3918
- W4218
- W3918 SD
- W4218 SD

| |
|-------|
| APC |
| CFO |
| FE |
| ■ MI |
| PE |
| RD |
| ■ VDO |

- No shelf
- Not drilled for adjustable shelf

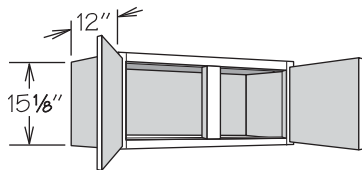
Wall Cabinet
15" High, 2 Butt Doors



| | |
|---------------|-------|
| ■ W3015 BUTT | APC |
| ■ W3315 BUTT | CFO |
| ■ W3615 BUTT | FE |
| | ID |
| W3015 BUTT SD | ■ MI |
| W3315 BUTT SD | PE |
| W3615 BUTT SD | RD |
| | ■ VDO |

- No shelf
- Not drilled for adjustable shelf

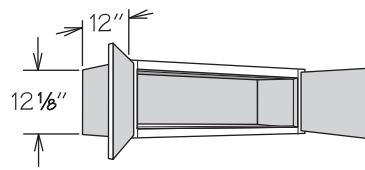
Wall Cabinet
15" High, 2 Doors



| | |
|----------|-------|
| ■ W3915 | APC |
| W3915 SD | CFO |
| | FE |
| | ■ MI |
| | PE |
| | RD |
| | ■ VDO |

- No shelf
- Not drilled for adjustable shelf

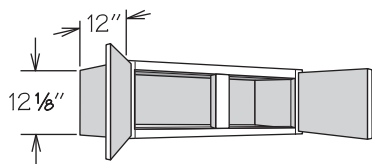
Wall Cabinet
12" High, 2 Butt Doors



| | |
|---------------|-------|
| ■ W3012 BUTT | APC |
| ■ W3312 BUTT | CFO |
| ■ W3612 BUTT | FE |
| | ID |
| W3012 BUTT SD | ■ MI |
| W3312 BUTT SD | PE |
| W3612 BUTT SD | RD |
| | ■ VDO |

- No shelf
- Not drilled for adjustable shelf

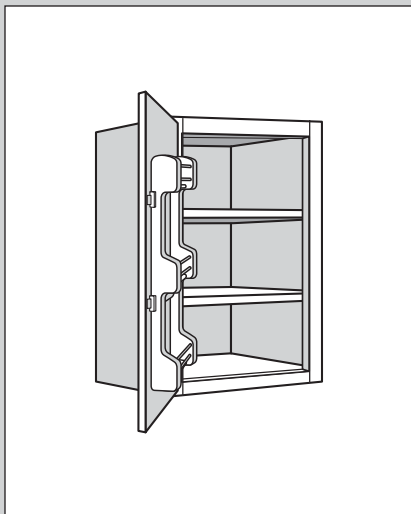
Wall Cabinet
12" High, 2 Doors



| | |
|----------|-------|
| ■ W3912 | APC |
| W3912 SD | CFO |
| | FE |
| | ■ MI |
| | PE |
| | RD |
| | ■ VDO |

- No shelf
- Not drilled for adjustable shelf

Wall Cabinets with Spice Rack



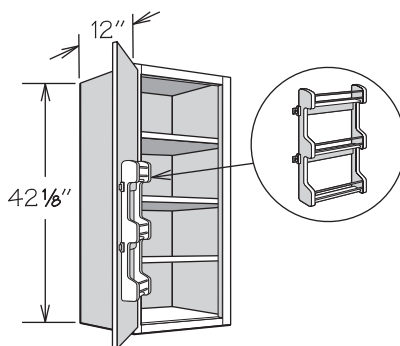
Wall cabinets with Spice Rack range from 15" to 21" wide, 30" to 42" high and are 12" deep.

Wall cabinets with Spice Rack must be ordered hinged left or right.

For Increased Depth cabinets, please refer to the installation notes listed in the Increased Depth Option Section.

Wall Cabinet

42" High, 1 Door with Spice Rack



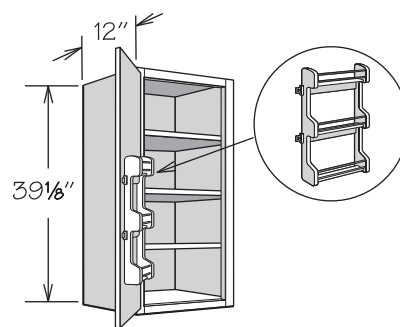
W1542 SR
W1842 SR
W2142 SR

| |
|-----|
| APC |
| FE |
| ID |
| MI |
| PE |

- Three adjustable shelves
- Spice Rack Kit packaged separately for field installation
- Position adjustable shelves prior to installation
- Kit in natural finish solid wood features chrome rails and three fixed shelves

Wall Cabinet

39" High, 1 Door with Spice Rack



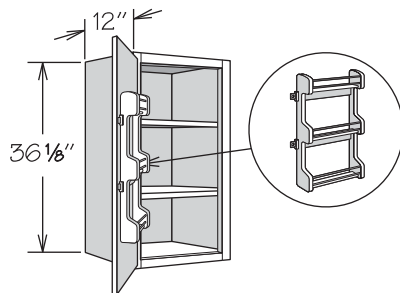
W1539 SR
W1839 SR
W2139 SR

| |
|-----|
| APC |
| FE |
| ID |
| MI |
| PE |

- Three adjustable shelves
- Spice Rack Kit packaged separately for field installation
- Position adjustable shelves prior to installation
- Kit in natural finish solid wood features chrome rails and three fixed shelves

Wall Cabinet

36" High, 1 Door with Spice Rack



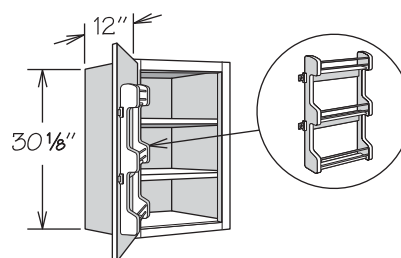
W1536 SR
W1836 SR
W2136 SR

| |
|-----|
| APC |
| FE |
| ID |
| MI |
| PE |

- Two adjustable shelves
- Spice Rack Kit packaged separately for field installation
- Position adjustable shelves prior to installation
- Kit in natural finish solid wood features chrome rails and three fixed shelves

Wall Cabinet

30" High, 1 Door with Spice Rack

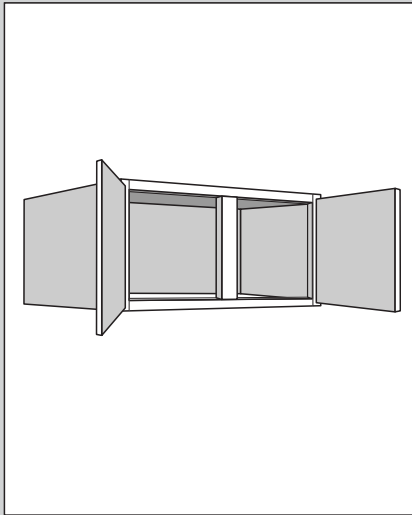


W1530 SR
W1830 SR
W2130 SR

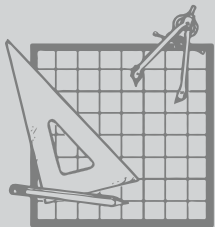
| |
|-----|
| APC |
| FE |
| ID |
| MI |
| PE |

- Two adjustable shelves
- Spice Rack Kit packaged separately for field installation
- Position adjustable shelves prior to installation
- Kit in natural finish solid wood features chrome rails and three fixed shelves

Refrigerator Wall Cabinets



Refrigerator Wall cabinets range from 12" to 27" high and are 24" deep.

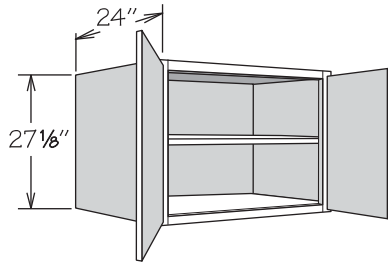


To ensure proper door function on a Refrigerator Wall cabinet, allow enough clearance for the top hinge(s) on the refrigerator door. Review refrigerator manufacturer's specifications for dimensions and clearance requirements.

When a 24" Deep Refrigerator Wall cabinet is used in a design, remember that each side of cabinet must be attached to a cabinet, wall or Refrigerator Return Panel.

Refrigerator Wall

27" High x 24" Deep
2 Butt Doors

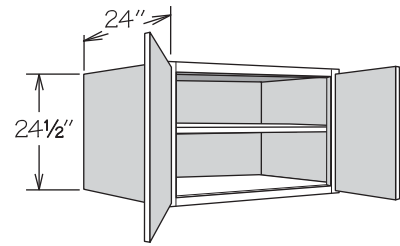


| | | | | | | | | |
|---|---|-----|-----|----|------|----|----|-------|
| <ul style="list-style-type: none"> ■ W3027 X 24 DP BUTT ■ W3027 X 24 DP BUTT SD | <table border="0"> <tr><td>APC</td></tr> <tr><td>CFO</td></tr> <tr><td>FE</td></tr> <tr><td>■ MI</td></tr> <tr><td>PE</td></tr> <tr><td>RD</td></tr> <tr><td>■ VDO</td></tr> </table> | APC | CFO | FE | ■ MI | PE | RD | ■ VDO |
| APC | | | | | | | | |
| CFO | | | | | | | | |
| FE | | | | | | | | |
| ■ MI | | | | | | | | |
| PE | | | | | | | | |
| RD | | | | | | | | |
| ■ VDO | | | | | | | | |

- One full-depth adjustable shelf
- Center shelf support provided
- Each side of cabinet must be attached to a cabinet, wall or Refrigerator Return Panel

Refrigerator Wall

24" High x 24" Deep
2 Butt Doors



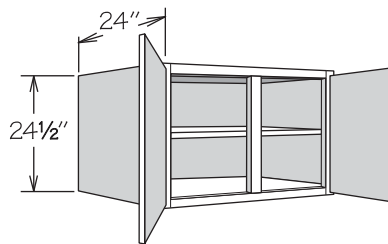
| | | | | | | | | |
|---|---|-----|-----|----|------|----|----|-------|
| <ul style="list-style-type: none"> ■ W3024 X 24 DP BUTT ■ W3324 X 24 DP BUTT ■ W3624 X 24 DP BUTT ■ W3024 X 24 DP BUTT SD ■ W3324 X 24 DP BUTT SD ■ W3624 X 24 DP BUTT SD | <table border="0"> <tr><td>APC</td></tr> <tr><td>CFO</td></tr> <tr><td>FE</td></tr> <tr><td>■ MI</td></tr> <tr><td>PE</td></tr> <tr><td>RD</td></tr> <tr><td>■ VDO</td></tr> </table> | APC | CFO | FE | ■ MI | PE | RD | ■ VDO |
| APC | | | | | | | | |
| CFO | | | | | | | | |
| FE | | | | | | | | |
| ■ MI | | | | | | | | |
| PE | | | | | | | | |
| RD | | | | | | | | |
| ■ VDO | | | | | | | | |

- One full-depth adjustable shelf
- Center shelf support provided
- Each side of cabinet must be attached to a cabinet, wall or Refrigerator Return Panel

Refrigerator Wall

24" High x 24" Deep
2 Doors

NEW! **SIZE**

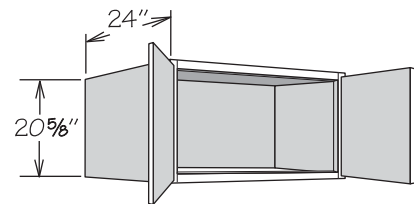


| | | | | | | | | |
|---|---|-----|-----|----|------|----|----|-------|
| <ul style="list-style-type: none"> ■ W3924 X 24 DP ■ W3924 X 24 DP SD | <table border="0"> <tr><td>APC</td></tr> <tr><td>CFO</td></tr> <tr><td>FE</td></tr> <tr><td>■ MI</td></tr> <tr><td>PE</td></tr> <tr><td>RD</td></tr> <tr><td>■ VDO</td></tr> </table> | APC | CFO | FE | ■ MI | PE | RD | ■ VDO |
| APC | | | | | | | | |
| CFO | | | | | | | | |
| FE | | | | | | | | |
| ■ MI | | | | | | | | |
| PE | | | | | | | | |
| RD | | | | | | | | |
| ■ VDO | | | | | | | | |

- One full-depth adjustable shelf
- Center shelf support provided
- Each side of cabinet must be attached to a cabinet, wall or Refrigerator Return Panel

Refrigerator Wall

21" High x 24" Deep
2 Butt Doors

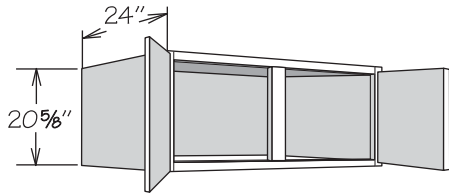


| | | | | | | | | |
|---|---|-----|-----|----|------|----|----|-------|
| <ul style="list-style-type: none"> ■ W3021 X 24 DP BUTT ■ W3321 X 24 DP BUTT ■ W3621 X 24 DP BUTT ■ W3021 X 24 DP BUTT SD ■ W3321 X 24 DP BUTT SD ■ W3621 X 24 DP BUTT SD | <table border="0"> <tr><td>APC</td></tr> <tr><td>CFO</td></tr> <tr><td>FE</td></tr> <tr><td>■ MI</td></tr> <tr><td>PE</td></tr> <tr><td>RD</td></tr> <tr><td>■ VDO</td></tr> </table> | APC | CFO | FE | ■ MI | PE | RD | ■ VDO |
| APC | | | | | | | | |
| CFO | | | | | | | | |
| FE | | | | | | | | |
| ■ MI | | | | | | | | |
| PE | | | | | | | | |
| RD | | | | | | | | |
| ■ VDO | | | | | | | | |

- No shelf
- Not drilled for adjustable shelf
- Each side of cabinet must be attached to a cabinet, wall or Refrigerator Return Panel

Refrigerator Wall

21" High x 24" Deep
2 Doors

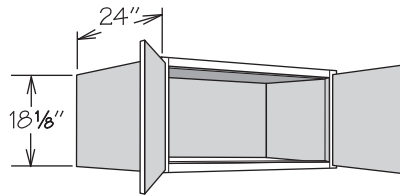


| | | | | | | | | |
|---|---|-----|-----|----|------|----|----|-------|
| <ul style="list-style-type: none"> ■ W3921 X 24 DP W3921 X 24 DP SD | <table border="1"> <tr><td>APC</td></tr> <tr><td>CFO</td></tr> <tr><td>FE</td></tr> <tr><td>■ MI</td></tr> <tr><td>PE</td></tr> <tr><td>RD</td></tr> <tr><td>■ VDO</td></tr> </table> | APC | CFO | FE | ■ MI | PE | RD | ■ VDO |
| APC | | | | | | | | |
| CFO | | | | | | | | |
| FE | | | | | | | | |
| ■ MI | | | | | | | | |
| PE | | | | | | | | |
| RD | | | | | | | | |
| ■ VDO | | | | | | | | |

- No shelf
- Not drilled for adjustable shelf
- Each side of cabinet must be attached to a cabinet, wall or Refrigerator Return Panel

Refrigerator Wall

18" High x 24" Deep
2 Butt Doors

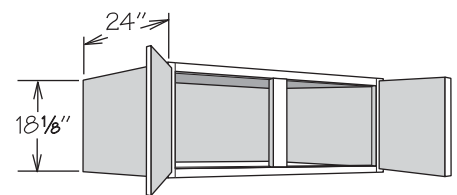


| | | | | | | | | |
|---|---|-----|-----|----|------|----|----|-------|
| <ul style="list-style-type: none"> ■ W3018 X 24 DP BUTT ■ W3318 X 24 DP BUTT ■ W3618 X 24 DP BUTT W3018 X 24 DP BUTT SD W3318 X 24 DP BUTT SD W3618 X 24 DP BUTT SD | <table border="1"> <tr><td>APC</td></tr> <tr><td>CFO</td></tr> <tr><td>FE</td></tr> <tr><td>■ MI</td></tr> <tr><td>PE</td></tr> <tr><td>RD</td></tr> <tr><td>■ VDO</td></tr> </table> | APC | CFO | FE | ■ MI | PE | RD | ■ VDO |
| APC | | | | | | | | |
| CFO | | | | | | | | |
| FE | | | | | | | | |
| ■ MI | | | | | | | | |
| PE | | | | | | | | |
| RD | | | | | | | | |
| ■ VDO | | | | | | | | |

- No shelf
- Not drilled for adjustable shelf
- Each side of cabinet must be attached to a cabinet, wall or Refrigerator Return Panel

Refrigerator Wall

18" High x 24" Deep
2 Doors

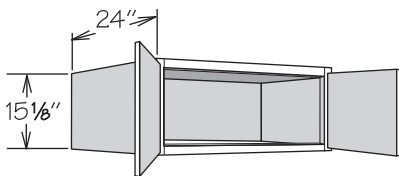


| | | | | | | | | |
|---|---|-----|-----|----|------|----|----|-------|
| <ul style="list-style-type: none"> ■ W3918 X 24 DP W3918 X 24 DP SD | <table border="1"> <tr><td>APC</td></tr> <tr><td>CFO</td></tr> <tr><td>FE</td></tr> <tr><td>■ MI</td></tr> <tr><td>PE</td></tr> <tr><td>RD</td></tr> <tr><td>■ VDO</td></tr> </table> | APC | CFO | FE | ■ MI | PE | RD | ■ VDO |
| APC | | | | | | | | |
| CFO | | | | | | | | |
| FE | | | | | | | | |
| ■ MI | | | | | | | | |
| PE | | | | | | | | |
| RD | | | | | | | | |
| ■ VDO | | | | | | | | |

- No shelf
- Not drilled for adjustable shelf
- Each side of cabinet must be attached to a cabinet, wall or Refrigerator Return Panel

Refrigerator Wall

15" High x 24" Deep
2 Butt Doors

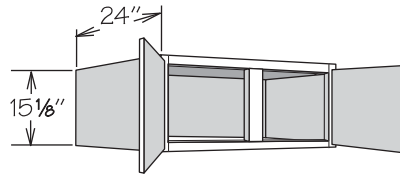


| | | | | | | | | |
|---|---|-----|-----|----|------|----|----|-------|
| <ul style="list-style-type: none"> ■ W3015 X 24 DP BUTT ■ W3315 X 24 DP BUTT ■ W3615 X 24 DP BUTT W3015 X 24 DP BUTT SD W3315 X 24 DP BUTT SD W3615 X 24 DP BUTT SD | <table border="1"> <tr><td>APC</td></tr> <tr><td>CFO</td></tr> <tr><td>FE</td></tr> <tr><td>■ MI</td></tr> <tr><td>PE</td></tr> <tr><td>RD</td></tr> <tr><td>■ VDO</td></tr> </table> | APC | CFO | FE | ■ MI | PE | RD | ■ VDO |
| APC | | | | | | | | |
| CFO | | | | | | | | |
| FE | | | | | | | | |
| ■ MI | | | | | | | | |
| PE | | | | | | | | |
| RD | | | | | | | | |
| ■ VDO | | | | | | | | |

- No shelf
- Not drilled for adjustable shelf
- Each side of cabinet must be attached to a cabinet, wall or Refrigerator Return Panel

Refrigerator Wall

15" High x 24" Deep
2 Doors

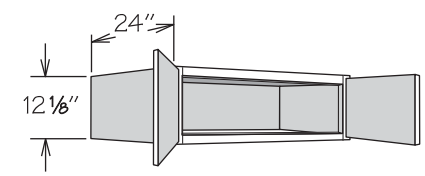


| | | | | | | | | |
|---|---|-----|-----|----|------|----|----|-------|
| <ul style="list-style-type: none"> ■ W3915 X 24 DP W3915 X 24 DP SD | <table border="1"> <tr><td>APC</td></tr> <tr><td>CFO</td></tr> <tr><td>FE</td></tr> <tr><td>■ MI</td></tr> <tr><td>PE</td></tr> <tr><td>RD</td></tr> <tr><td>■ VDO</td></tr> </table> | APC | CFO | FE | ■ MI | PE | RD | ■ VDO |
| APC | | | | | | | | |
| CFO | | | | | | | | |
| FE | | | | | | | | |
| ■ MI | | | | | | | | |
| PE | | | | | | | | |
| RD | | | | | | | | |
| ■ VDO | | | | | | | | |

- No shelf
- Not drilled for adjustable shelf
- Each side of cabinet must be attached to a cabinet, wall or Refrigerator Return Panel

Refrigerator Wall

12" High x 24" Deep
2 Butt Doors



| | | | | | | | | |
|---|---|-----|-----|----|------|----|----|-------|
| <ul style="list-style-type: none"> ■ W3012 X 24 DP BUTT ■ W3312 X 24 DP BUTT ■ W3612 X 24 DP BUTT W3012 X 24 DP BUTT SD W3312 X 24 DP BUTT SD W3612 X 24 DP BUTT SD | <table border="1"> <tr><td>APC</td></tr> <tr><td>CFO</td></tr> <tr><td>FE</td></tr> <tr><td>■ MI</td></tr> <tr><td>PE</td></tr> <tr><td>RD</td></tr> <tr><td>■ VDO</td></tr> </table> | APC | CFO | FE | ■ MI | PE | RD | ■ VDO |
| APC | | | | | | | | |
| CFO | | | | | | | | |
| FE | | | | | | | | |
| ■ MI | | | | | | | | |
| PE | | | | | | | | |
| RD | | | | | | | | |
| ■ VDO | | | | | | | | |

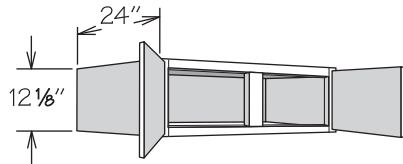
- No shelf
- Not drilled for adjustable shelf
- Each side of cabinet must be attached to a cabinet, wall or Refrigerator Return Panel

Refrigerator Wall

12" High x 24" Deep

2 Doors

NEW! SIZE



- W3912 X 24 DP
- W4212 X 24 DP
- W3912 X 24 DP SD

| |
|-------|
| APC |
| CFO |
| FE |
| ■ MI |
| PE |
| RD |
| ■ VDO |

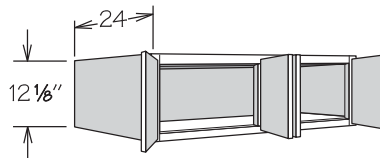
- No shelf
- Not drilled for adjustable shelf
- Each side of cabinet must be attached to a cabinet, wall or Refrigerator Return Panel

Refrigerator Wall

12" High x 24" Deep

4 Butt Doors

NEW! SIZE

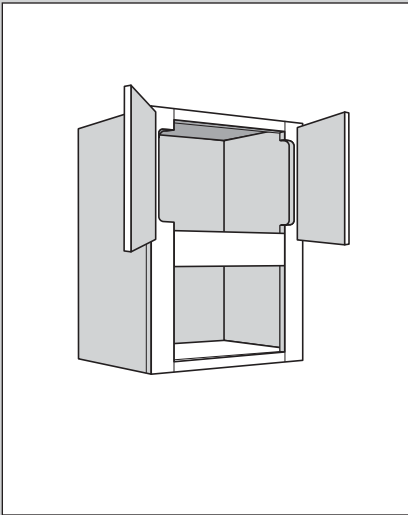


W4812 X 24 DP BUTT

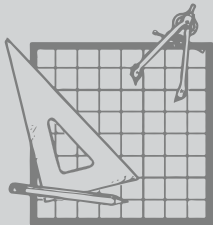
| |
|-----|
| APC |
| CFO |
| FE |
| MI |
| PE |
| RD |
| VDO |

- No shelf
- Two sets of BUTT doors
- Each side of cabinet must be attached to a cabinet, wall Refrigerator Return Panel

Microwave Cabinets



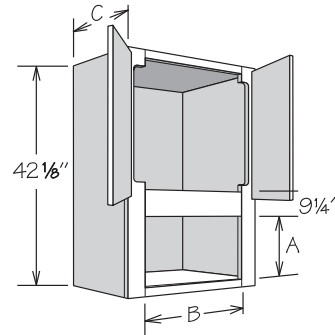
Microwave Wall cabinets range from 24" to 30" wide, 36" to 42" high and are 12", 18" or 21" deep.



When a Microwave Wall cabinet is used in a design, remember that each side of the cabinet must be attached to a cabinet or a wall. Review microwave manufacturer's specifications for dimensions and adequate clearances for venting requirements.

Microwave Wall

42" High, 2 Butt Doors



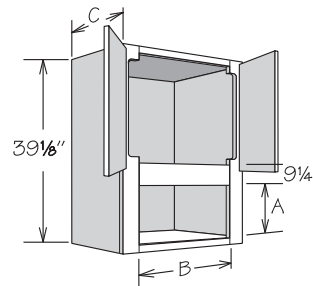
| | A Actual | A Max. (FOL) | A Max. (POL) | B Actual Opening | B Max. Opening | C Depth | Doors |
|----------------|----------|--------------|--------------|------------------|----------------|---------|-------------|
| WMC301842 BUTT | 12 1/4" | 19 1/2" | 20" | 23 3/4" | 28" | 18" | DR1521 BUTT |
| WMC302142 BUTT | 12 1/4" | 19 1/2" | 20" | 23 3/4" | 28" | 21" | DR1521 BUTT |

| | |
|----------------|-----|
| WMC301842 BUTT | APC |
| WMC302142 BUTT | FE |
| | ID |
| | MI |
| | PE |
| | RD |

- Each side of cabinet must be attached to a cabinet or a wall
- Designed to accommodate microwaves with trim kit
- A cutout exists in the door area where the 3 1/8" stiles are routed to 1 5/8"
- Not drilled for adjustable shelf
- Refer to appliance manufacturer's specifications for adequate clearances

Microwave Wall

39" High, 2 Butt Doors

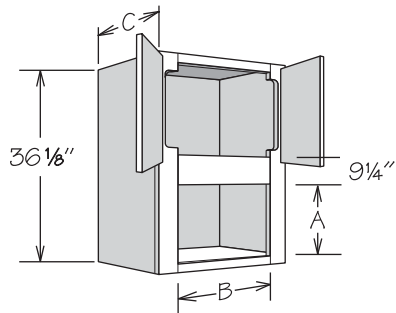


| | A Actual | A Max. (FOL) | A Max. (POL) | B Actual Opening | B Max. Opening | C Depth | Doors |
|----------------|----------|--------------|--------------|------------------|----------------|---------|-------------|
| WMC271839 BUTT | 11 3/4" | 19 1/2" | 20" | 20 3/4" | 25" | 18" | DR1318 BUTT |
| WMC272139 BUTT | 11 3/4" | 19 1/2" | 20" | 20 3/4" | 25" | 21" | DR1318 BUTT |
| WMC301839 BUTT | 11 3/4" | 19 1/2" | 20" | 23 3/4" | 28" | 18" | DR1518 BUTT |
| WMC302139 BUTT | 11 3/4" | 19 1/2" | 20" | 23 3/4" | 28" | 21" | DR1518 BUTT |

| | |
|----------------|-----|
| WMC271839 BUTT | APC |
| WMC272139 BUTT | FE |
| WMC301839 BUTT | ID |
| WMC302139 BUTT | MI |
| | PE |
| | RD |

- Each side of cabinet must be attached to a cabinet or a wall
- Designed to accommodate microwaves with trim kit
- A cutout exists in the door area where the 3 1/8" stiles are routed to 1 5/8"
- Not drilled for adjustable shelf
- Refer to appliance manufacturer's specifications for adequate clearances

Microwave Wall
36" High, 2 Butt Doors

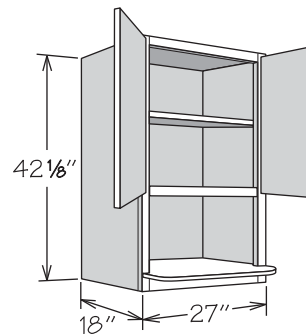


| | A Actual | A Max. (FOL) | A Max. (POL) | B Actual Opening | B Max. Opening | C Depth | Doors |
|----------------|----------|--------------|--------------|------------------|----------------|---------|-------------|
| WMC271836 BUTT | 11 3/4" | 19 1/2" | 20" | 20 3/4" | 25" | 18" | DR1315 BUTT |
| WMC272136 BUTT | 11 3/4" | 19 1/2" | 20" | 20 3/4" | 25" | 21" | DR1315 BUTT |
| WMC301836 BUTT | 11 3/4" | 19 1/2" | 20" | 23 3/4" | 28" | 18" | DR1515 BUTT |
| WMC302136 BUTT | 11 3/4" | 19 1/2" | 20" | 23 3/4" | 28" | 21" | DR1515 BUTT |

| | |
|----------------|-----|
| WMC271836 BUTT | APC |
| WMC272136 BUTT | FE |
| WMC301836 BUTT | ID |
| WMC302136 BUTT | MI |
| | PE |
| | RD |

- Each side of cabinet must be attached to a cabinet or a wall
- Designed to accommodate microwaves with trim kit
- A cutout exists in the door area where the 3/8" stiles are routed to 1 5/8"
- Not drilled for adjustable shelf
- Refer to appliance manufacturer's specifications for adequate clearances

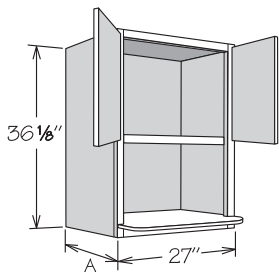
Wall Microwave
42" High, 2 Butt Doors



| | |
|-----------------|-----|
| WMSC271842 BUTT | APC |
| | FE |
| | PE |
| | RD |
| | VDO |

- Each side of cabinet must be attached to a cabinet or a wall
- Cabinet interior, microwave shelf and one adjustable shelf finished to match cabinet box exterior
- 3/4" plywood microwave shelf included for all construction types - not field trimmable
- Designed to accommodate countertop style microwave
- Lower frame opening (including shelf): 23 3/4" W x 15 1/2" H x 23 3/4" D
- Refer to appliance manufacturer's specifications for adequate clearances

Wall Microwave
36" High, 2 Butt Doors

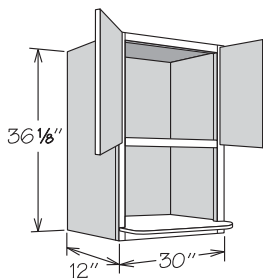


| | A |
|-----------------|-----|
| WMSC271236 BUTT | 12" |
| WMSC271836 BUTT | 18" |

| | |
|-----------------|-----|
| WMSC271236 BUTT | APC |
| WMSC271836 BUTT | FE |
| | PE |
| | RD |
| | VDO |

- Each side of cabinet must be attached to a cabinet or a wall
- Cabinet interior and microwave shelf finished to match cabinet box exterior
- 3/4" plywood microwave shelf included for all construction types - not field trimmable
- Not drilled for adjustable shelf
- Designed to accommodate countertop style microwave
- Lower frame opening (including shelf):
WMSC271236 BUTT: 23 3/4" W x 18 5/8" H x 17 3/4" D
WMSC271836 BUTT: 23 3/4" W x 18 5/8" H x 23 3/4" D
- Refer to appliance manufacturer's specifications for adequate clearances

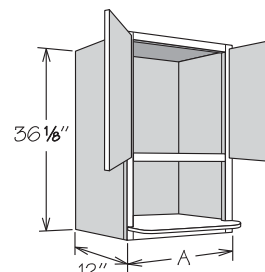
Wall Microwave
36" High, 2 Butt Doors



| | |
|-----------------|-----|
| WMSC301236 BUTT | APC |
| | FE |
| | PE |
| | RD |
| | VDO |

- Each side of cabinet must be attached to a cabinet or a wall
- Cabinet interior and microwave shelf finished to match cabinet box exterior
- 3/4" plywood microwave shelf included for all construction types - not field trimmable
- Not drilled for adjustable shelf
- Designed to accommodate countertop style microwave
- Lower frame opening (including shelf): 26 3/4" W x 18 5/8" H x 17 3/4" D
- Refer to appliance manufacturer's specifications for adequate clearances

Wall Compact Microwave
36" High, 2 Butt Doors

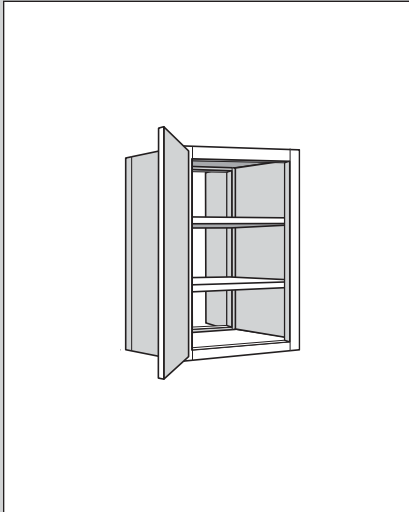


| | A |
|------------------|-----|
| WCMSC241236 BUTT | 24" |
| WCMSC271236 BUTT | 27" |

| | |
|------------------|-----|
| WCMSC241236 BUTT | APC |
| WCMSC271236 BUTT | FE |
| | PE |
| | RD |
| | VDO |

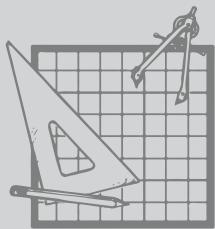
- Each side of cabinet must be attached to a cabinet or a wall
- Cabinet interior and microwave shelf finished to match cabinet box exterior
- 3/4" plywood microwave shelf included for all construction types - not field trimmable
- Not drilled for adjustable shelf
- Designed to accommodate countertop style microwave
- Lower frame opening (including shelf):
WCMSC241236 BUTT: 20 3/4" W x 15 5/8" H x 17 3/4" D
WCMSC271236 BUTT: 23 3/4" W x 15 5/8" H x 17 3/4" D
- Refer to appliance manufacturer's specifications for adequate clearances

Peninsula Wall Cabinets



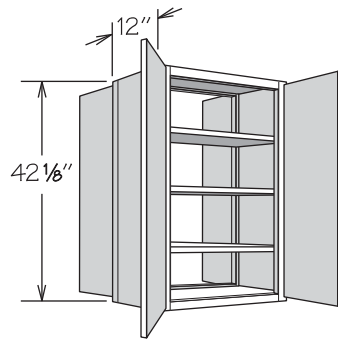
Peninsula Wall cabinets range in size from 12" to 42" wide, 18" to 42" high and are 12" deep with doors on both sides of the cabinet.

For Increased Depth cabinets, please refer to the installation notes listed in the Increased Depth Construction Option section.



When designing with Peninsula Wall cabinets, remember to include material such as Finished Shelving to cover the bottom of the cabinets.

Peninsula Wall
42" High, 4 Butt Doors

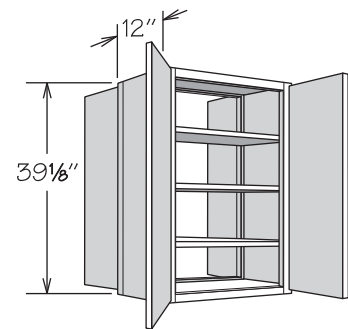


- PW2442 BUTT
- PW3042 BUTT
- PW3642 BUTT
- PW2442 BUTT SD
- PW3042 BUTT SD
- PW3642 BUTT SD

| |
|-------|
| APC |
| FE |
| ID |
| ■ MI |
| PE |
| RD |
| ■ VDO |

- Three adjustable shelves
- Center shelf support provided for cabinets 30" or wider

Peninsula Wall
39" High, 4 Butt Doors

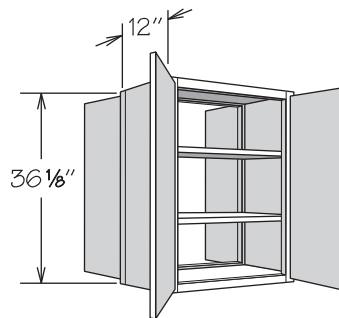


- PW2439 BUTT
- PW3039 BUTT
- PW3639 BUTT
- PW2439 BUTT SD
- PW3039 BUTT SD
- PW3639 BUTT SD

| |
|-------|
| APC |
| FE |
| ID |
| ■ MI |
| PE |
| RD |
| ■ VDO |

- Three adjustable shelves
- Center shelf support provided for cabinets 30" or wider

Peninsula Wall
36" High, 4 Butt Doors

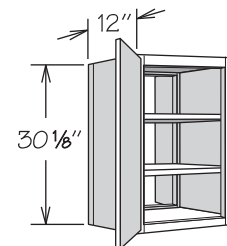


- PW2436 BUTT
- PW3036 BUTT
- PW3636 BUTT
- PW2436 BUTT SD
- PW3036 BUTT SD
- PW3636 BUTT SD

| |
|-------|
| APC |
| FE |
| ID |
| ■ MI |
| PE |
| RD |
| ■ VDO |

- Two adjustable shelves
- Center shelf support provided for cabinets 30" or wider

Peninsula Wall
30" High, 2 Doors

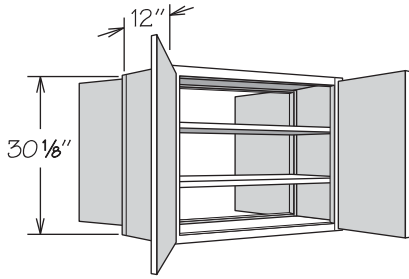


- PW1230
- PW1530
- PW1830
- PW2430
- PW1230 SD
- PW1530 SD
- PW1830 SD

| |
|-------|
| APC |
| FE |
| ID |
| ■ MI |
| PE |
| RD |
| ■ VDO |

- Two adjustable shelves
- Hinged as shown

Peninsula Wall
30" High, 4 Butt Doors

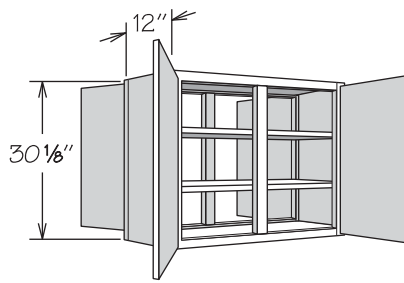


- PW2430 BUTT
- PW3030 BUTT
- PW3630 BUTT
- PW2430 BUTT SD
- PW3030 BUTT SD
- PW3630 BUTT SD

- | |
|-------|
| APC |
| FE |
| ID |
| ■ MI |
| PE |
| RD |
| ■ VDO |

- Two adjustable shelves
- Center shelf support provided for cabinets 30" or wider

Peninsula Wall
30" High, 4 Doors

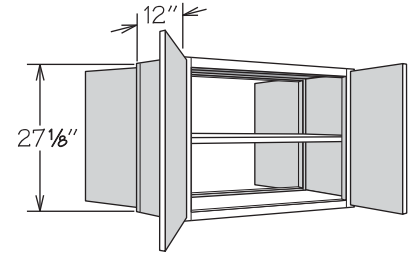


- PW4230
- PW4230 SD

- | |
|-------|
| APC |
| FE |
| ■ MI |
| PE |
| RD |
| ■ VDO |

- Two adjustable shelves
- Center shelf support provided

Peninsula Wall
27" High, 4 Butt Doors

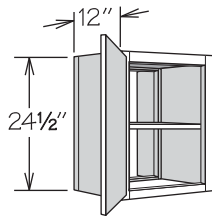


- PW3027 BUTT
- PW3027 BUTT SD

- | |
|-------|
| APC |
| FE |
| ID |
| ■ MI |
| PE |
| RD |
| ■ VDO |

- One adjustable shelf
- Center shelf support provided

Peninsula Wall
24" High, 2 Doors

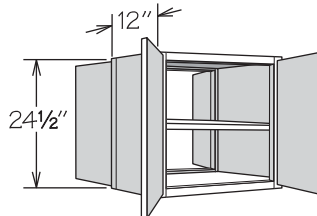


- PW1224
- PW1824
- PW1224 SD
- PW1824 SD

- | |
|-------|
| APC |
| FE |
| ID |
| ■ MI |
| PE |
| RD |
| ■ VDO |

- One adjustable shelf
- Hinged as shown

Peninsula Wall
24" High, 4 Butt Doors

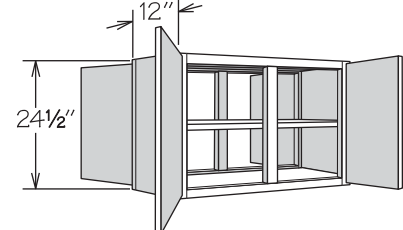


- PW2424 BUTT
- PW3024 BUTT
- PW3624 BUTT
- PW2424 BUTT SD
- PW3024 BUTT SD
- PW3624 BUTT SD

- | |
|-------|
| APC |
| FE |
| ID |
| ■ MI |
| PE |
| RD |
| ■ VDO |

- One adjustable shelf
- Center shelf support provided for cabinets 30" or wider

Peninsula Wall
24" High, 4 Doors



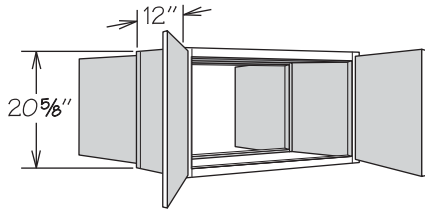
- PW4224
- PW4224 SD

- | |
|-------|
| APC |
| FE |
| ■ MI |
| PE |
| RD |
| ■ VDO |

- One adjustable shelf
- Center shelf support provided

Peninsula Wall

21" High, 4 Butt Doors



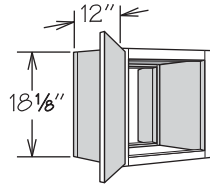
- PW3021 BUTT
- PW3621 BUTT
- PW3021 BUTT SD
- PW3621 BUTT SD

| |
|-------|
| APC |
| FE |
| ID |
| ■ MI |
| PE |
| RD |
| ■ VDO |

- No shelf
- Not drilled for adjustable shelf

Peninsula Wall

18" High, 2 Doors



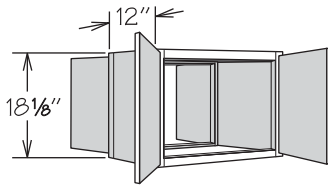
- PW1818
- PW1818 SD

| |
|-------|
| APC |
| FE |
| ID |
| ■ MI |
| PE |
| RD |
| ■ VDO |

- No shelf
- Not drilled for adjustable shelf
- Hinged as shown

Peninsula Wall

18" High, 4 Butt Doors



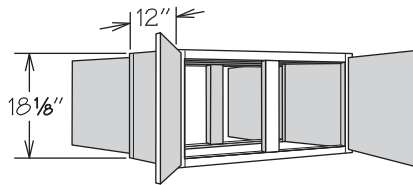
- PW2418 BUTT
- PW3018 BUTT
- PW3618 BUTT
- PW2418 BUTT SD
- PW3018 BUTT SD
- PW3618 BUTT SD

| |
|-------|
| APC |
| FE |
| ID |
| ■ MI |
| PE |
| RD |
| ■ VDO |

- No shelf
- Not drilled for adjustable shelf

Peninsula Wall

18" High, 4 Doors

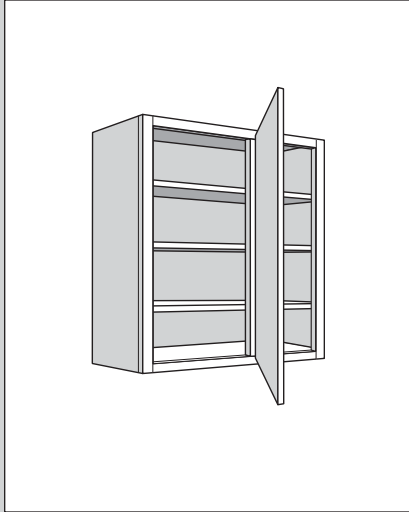


- PW4218
- PW4218 SD

| |
|-------|
| APC |
| FE |
| ■ MI |
| PE |
| RD |
| ■ VDO |

- No shelf
- Not drilled for adjustable shelf

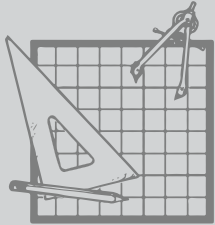
Blind Wall Cabinets



Blind Wall cabinets range in width from 24" to 48" and in height from 24" to 42".

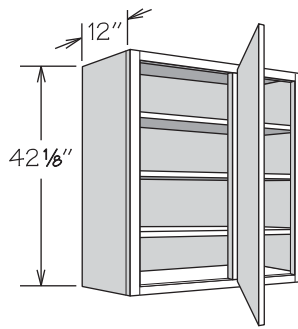
Single door Blind Wall cabinets must be ordered hinged left or right.

For Increased Depth cabinets, please refer to the installation notes listed in the Increased Depth Construction Option section.



When a Blind Wall cabinet is used in a design, remember to include the appropriate filler. For a finished, decorative look add an Overlay Filler (Full Overlay door styles) to Universal Fillers or Decorative Blocks to a Fluted Beaded Filler.

**Blind Wall
42" High, 1 Door**

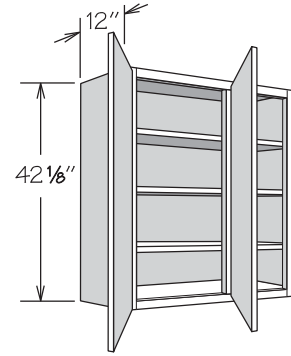


- BLW24/2742
 - BLW30/3342
 - BLW33/3642
- BLW24/2742 SD
BLW30/3342 SD
BLW33/3642 SD

| |
|-------|
| APC |
| CFO |
| FE |
| ID |
| ■ MI |
| PE |
| RD |
| ■ VDO |

- Three adjustable shelves
- Center shelf support provided for cabinets 30" or wider
- Cabinet shown as right indicating blind opening is on the right side of the cabinet (can be reversed in the field)
- Includes 1/8" panel to cover blind opening (field trim and install)
- Refer to Blind Wall Cabinet Installation Chart for specifications
- Must order Universal Filler separately

**Blind Wall
42" High, 2 Butt Doors**

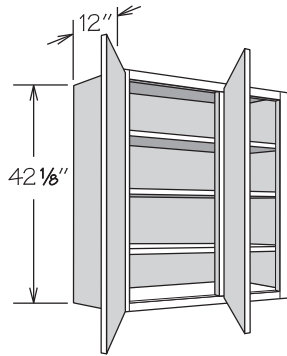


- BLW36/3942 BUTT
- BLW36/3942 BUTT SD

| |
|-------|
| APC |
| CFO |
| FE |
| ID |
| ■ MI |
| PE |
| RD |
| ■ VDO |

- Three adjustable shelves
- Center shelf support provided for cabinets 30" or wider
- Cabinet shown as right indicating blind opening is on the right side of the cabinet (can be reversed in the field)
- Includes 1/8" panel to cover blind opening (field trim and install)
- Refer to Blind Wall Cabinet Installation Chart for specifications
- Must order Universal Filler separately

Blind Wall
42" High, 2 Butt Doors

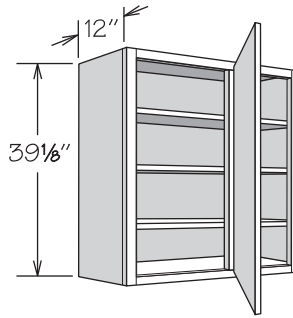


- BLW39/4242 BUTT
- BLW42/4542 BUTT
- BLW39/4242 BUTT SD
- BLW42/4542 BUTT SD

| |
|-------|
| APC |
| CFO |
| FE |
| ■ MI |
| PE |
| RD |
| ■ VDO |

- Three adjustable shelves
- Center shelf support provided
- Cabinet shown as right indicating blind opening is on the right side of the cabinet (can be reversed in the field)
- Includes 1/8" panel to cover blind opening (field trim and install)
- Refer to Blind Wall Cabinet Installation Chart for specifications
- Must order Universal Filler separately

Blind Wall
39" High, 1 Door

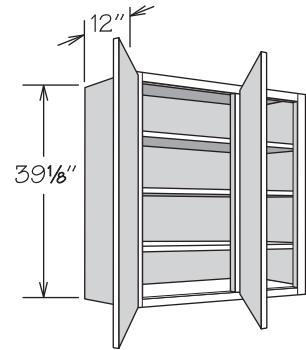


- BLW24/2739
- BLW30/3339
- BLW33/3639
- BLW24/2739 SD
- BLW30/3339 SD
- BLW33/3639 SD

| |
|-------|
| APC |
| CFO |
| FE |
| ID |
| ■ MI |
| PE |
| RD |
| ■ VDO |

- Three adjustable shelves
- Center shelf support provided for cabinets 30" or wider
- Cabinet shown as right indicating blind opening is on the right side of the cabinet (can be reversed in the field)
- Includes 1/8" panel to cover blind opening (field trim and install)
- Refer to Blind Wall Cabinet Installation Chart for specifications
- Must order Universal Filler separately

Blind Wall
39" High, 2 Butt Doors

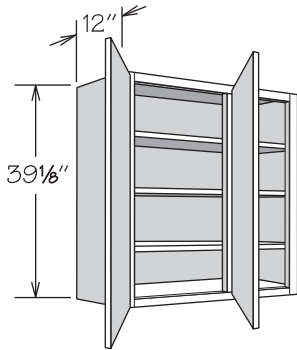


- BLW36/3939 BUTT
- BLW36/3939 BUTT SD

| |
|-------|
| APC |
| CFO |
| FE |
| ID |
| ■ MI |
| PE |
| RD |
| ■ VDO |

- Three adjustable shelves
- Center shelf support provided
- Cabinet shown as right indicating blind opening is on the right side of the cabinet (can be reversed in the field)
- Includes 1/8" panel to cover blind opening (field trim and install)
- Refer to Blind Wall Cabinet Installation Chart for specifications
- Must order Universal Filler separately

Blind Wall
39" High, 2 Butt Doors

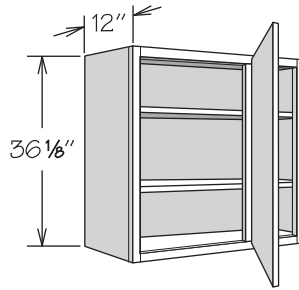


- BLW39/4239 BUTT
- BLW42/4539 BUTT
- BLW39/4239 BUTT SD
- BLW42/4539 BUTT SD

| |
|-------|
| APC |
| CFO |
| FE |
| ■ MI |
| PE |
| RD |
| ■ VDO |

- Three adjustable shelves
- Center shelf support provided
- Cabinet shown as right indicating blind opening is on the right side of the cabinet (can be reversed in the field)
- Includes 3/8" panel to cover blind opening (field trim and install)
- Refer to Blind Wall Cabinet Installation Chart for specifications
- Must order Universal Filler separately

Blind Wall
36" High, 1 Door

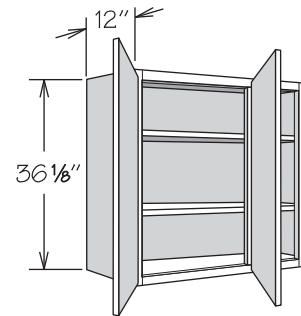


- BLW24/2736
- BLW30/3336
- BLW33/3636
- BLW24/2736 SD
- BLW30/3336 SD
- BLW33/3636 SD

| |
|-------|
| APC |
| CFO |
| FE |
| ID |
| ■ MI |
| PE |
| RD |
| ■ VDO |

- Two adjustable shelves
- Center shelf support provided for cabinets 30" or wider
- Cabinet shown as right indicating blind opening is on the right side of the cabinet (can be reversed in the field)
- Includes 3/8" panel to cover blind opening (field trim and install)
- Refer to Blind Wall cabinet Installation Chart for specifications
- Must order Universal Filler separately

Blind Wall
36" High, 2 Butt Doors

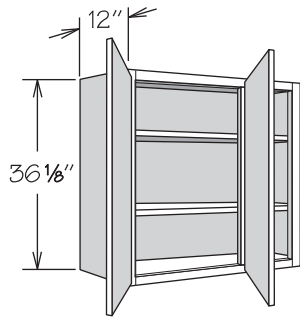


- BLW36/3936 BUTT
- BLW36/3936 BUTT SD

| |
|-------|
| APC |
| CFO |
| FE |
| ID |
| ■ MI |
| PE |
| RD |
| ■ VDO |

- Two adjustable shelves
- Center shelf support provided
- Cabinet shown as right indicating blind opening is on the right side of the cabinet (can be reversed in the field)
- Includes 3/8" panel to cover blind opening (field trim and install)
- Refer to Blind Wall cabinet Installation Chart for specifications
- Must order Universal Filler separately

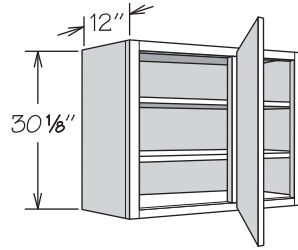
Blind Wall
36" High, 2 Butt Doors



- | | |
|--------------------|-------|
| ■ BLW39/4236 BUTT | APC |
| ■ BLW42/4536 BUTT | CFO |
| | FE |
| BLW39/4236 BUTT SD | ■ MI |
| BLW42/4536 BUTT SD | PE |
| | RD |
| | ■ VDO |

- Two adjustable shelves
- Center shelf support provided
- Cabinet shown as right indicating blind opening is on the right side of the cabinet (can be reversed in the field)
- Includes 1/8" panel to cover blind opening (field trim and install)
- Refer to Blind Wall cabinet Installation Chart for specifications
- Must order Universal Filler separately

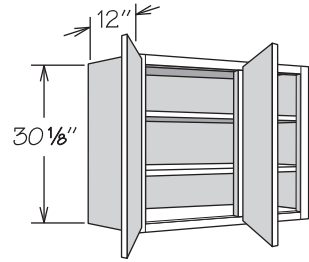
Blind Wall
30" High, 1 Door



- | | |
|---------------|-------|
| ■ BLW24/2730 | APC |
| ■ BLW27/3030 | CFO |
| | FE |
| ■ BLW30/3330 | ID |
| ■ BLW33/3630 | ■ MI |
| ■ BLW36/3930 | PE |
| | RD |
| BLW24/2730 SD | ■ VDO |
| BLW27/3030 SD | |
| BLW30/3330 SD | |
| BLW33/3630 SD | |

- Two adjustable shelves
- Center shelf support provided for cabinets 30" or wider
- Cabinet shown as right indicating blind opening is on the right side of the cabinet (can be reversed in the field)
- Includes 1/8" panel to cover blind opening (field trim and install)
- Refer to Blind Wall cabinet Installation Chart for specifications
- Must order Universal Filler separately

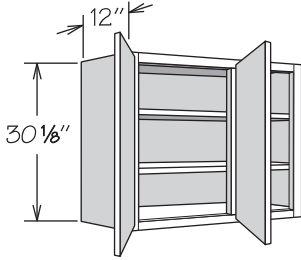
Blind Wall
30" High, 2 Butt Doors



- | | |
|--------------------|-------|
| ■ BLW36/3930 BUTT | APC |
| BLW36/3930 BUTT SD | CFO |
| | FE |
| | ID |
| | ■ MI |
| | PE |
| | RD |
| | ■ VDO |

- Two adjustable shelves
- Center shelf support provided
- Cabinet shown as right indicating blind opening is on the right side of the cabinet (can be reversed in the field)
- Includes 1/8" panel to cover blind opening (field trim and install)
- Refer to Blind Wall cabinet Installation Chart for specifications
- Must order Universal Filler separately

Blind Wall
30" High, 2 Butt Doors



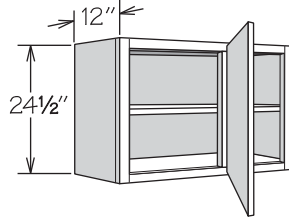
- BLW39/4230 BUTT
- BLW42/4530 BUTT
- BLW45/4830 BUTT
- BLW48/5130 BUTT

- BLW39/4230 BUTT SD
- BLW42/4530 BUTT SD
- BLW45/4830 BUTT SD
- BLW48/5130 BUTT SD

| |
|-------|
| APC |
| CFO |
| FE |
| ■ MI |
| PE |
| RD |
| ■ VDO |

- Two adjustable shelves
- Center shelf support provided
- Cabinet shown as right indicating blind opening is on the right side of the cabinet (can be reversed in the field)
- Includes 1/8" panel to cover blind opening (field trim and install)
- Refer to Blind Wall cabinet Installation Chart for specifications
- Must order Universal Filler separately

Blind Wall
24" High, 1 Door



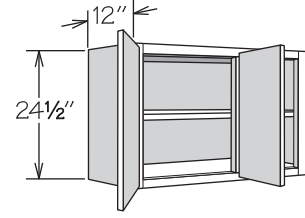
- BLW24/2724
- BLW27/3024
- BLW30/3324
- BLW33/3624

- BLW24/2724 SD
- BLW27/3024 SD
- BLW30/3324 SD
- BLW33/3624 SD

| |
|-------|
| APC |
| CFO |
| FE |
| ID |
| ■ MI |
| PE |
| RD |
| ■ VDO |

- One adjustable shelf
- Center shelf support provided for cabinets 30" or wider
- Cabinet shown as right indicating blind opening is on the right side of the cabinet (can be reversed in the field)
- Includes 1/8" panel to cover blind opening (field trim and install)
- Refer to Blind Wall cabinet Installation Chart for specifications
- Must order Universal Filler separately

Blind Wall
24" High, 2 Butt Doors

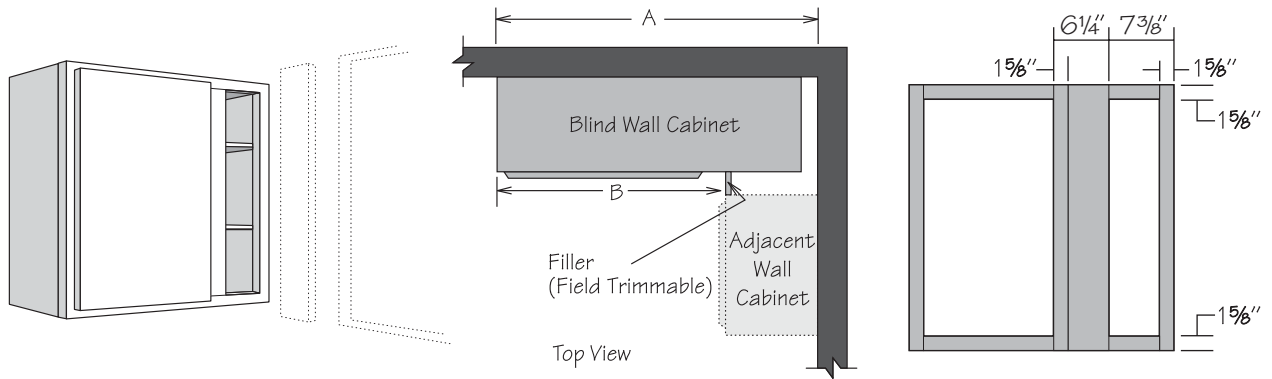


- BLW36/3924 BUTT
- BLW36/3924 BUTT SD

| |
|-------|
| APC |
| CFO |
| FE |
| ID |
| ■ MI |
| PE |
| RD |
| ■ VDO |

- One adjustable shelf
- Center shelf support provided
- Cabinet shown as right indicating blind opening is on the right side of the cabinet (can be reversed in the field)
- Includes 1/8" panel to cover blind opening (field trim and install)
- Refer to Blind Wall cabinet Installation Chart for specifications
- Must order Universal Filler separately

Blind Wall Cabinet Installation Chart



Full Overlay (FOL) Door Styles

Full Overlay door styles require decorative hardware, which has been calculated into dimensions.
 *Dimension requirements do not include optional Overlay Fillers - add 3/8" if Overlay Fillers will be used.

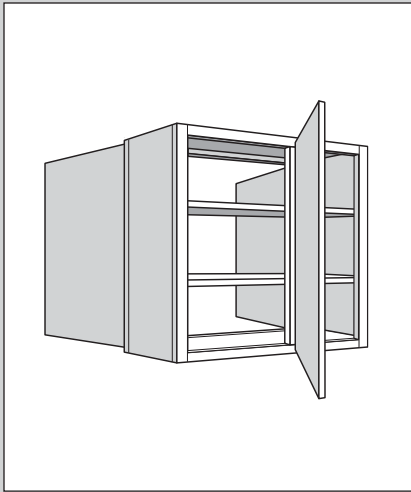
| Cabinet | Actual Cabinet Width | Door Opening | Door(s) | Wall Space A | | | Exposed Frame B | |
|---------------------|----------------------|--------------|-----------------|----------------|--------------|---------------|-----------------|---------------|
| | | | | Minimum Space* | Maximum Pull | Maximum Space | Minimum Space* | Maximum Space |
| BLW24/27__(SD) | 24" | 8 3/4" | DR12__ | 26 1/4" | 1 3/4" | 28" | 14 1/4" | 16" |
| BLW27/30__(SD) | 27" | 11 3/4" | DR15__ | 29 1/4" | 1 3/4" | 31" | 17 1/4" | 19" |
| BLW30/33__(SD) | 30" | 14 3/4" | DR18__ | 32 1/4" | 1 3/4" | 34" | 20 1/4" | 22" |
| BLW33/36__(SD) | 33" | 17 3/4" | DR21__ | 35 1/4" | 1 3/4" | 37" | 23 1/4" | 25" |
| BLW36/3930 | 36" | 20 3/4" | DR2430 | 38 1/4" | 1 3/4" | 40" | 26 1/4" | 28" |
| BLW36/39__BUTT (SD) | 36" | 20 3/4" | DR12__ BUTT (2) | 38 1/4" | 1 3/4" | 40" | 26 1/4" | 28" |
| BLW39/42__BUTT (SD) | 39" | 23 3/4" | DR13__ BUTT (2) | 41 1/4" | 1 3/4" | 43" | 29 1/4" | 31" |
| BLW42/45__BUTT (SD) | 42" | 26 3/4" | DR15__ BUTT (2) | 44 1/4" | 1 3/4" | 46" | 32 1/4" | 34" |
| BLW45/48__BUTT (SD) | 45" | 29 3/4" | DR16__ BUTT (2) | 47 1/4" | 1 3/4" | 49" | 35 1/4" | 37" |
| BLW48/51__BUTT (SD) | 48" | 32 3/4" | DR18__ BUTT (2) | 50 1/4" | 1 3/4" | 52" | 38 1/4" | 40" |

Partial Overlay (POL) Door Styles

Wall Space A requirements include optional decorative hardware clearance.
 *1 1/4" may be deducted if decorative hardware is not used.

| Cabinet | Actual Cabinet Width | Door Opening | Door(s) | Wall Space A | | | Exposed Frame B | |
|---------------------|----------------------|--------------|-----------------|----------------|---------------|----------------|-----------------|---------------|
| | | | | Minimum Space* | Maximum Pull* | Maximum Space* | Minimum Space | Maximum Space |
| BLW24/27__(SD) | 24" | 8 3/4" | DR12__ | 25 3/8" | 2 3/8" | 28" | 13 3/8" | 16" |
| BLW27/30__(SD) | 27" | 11 3/4" | DR15__ | 28 3/8" | 2 3/8" | 31" | 16 3/8" | 19" |
| BLW30/33__(SD) | 30" | 14 3/4" | DR18__ | 31 3/8" | 2 3/8" | 34" | 19 3/8" | 22" |
| BLW33/36__(SD) | 33" | 17 3/4" | DR21__ | 34 3/8" | 2 3/8" | 37" | 22 3/8" | 25" |
| BLW36/3930 | 36" | 20 3/4" | DR2430 | 37 3/8" | 2 3/8" | 40" | 25 3/8" | 28" |
| BLW36/39__BUTT (SD) | 36" | 20 3/4" | DR12__ BUTT (2) | 37 3/8" | 2 3/8" | 40" | 25 3/8" | 28" |
| BLW39/42__BUTT (SD) | 39" | 23 3/4" | DR13__ BUTT (2) | 40 3/8" | 2 3/8" | 43" | 28 3/8" | 31" |
| BLW42/45__BUTT (SD) | 42" | 26 3/4" | DR15__ BUTT (2) | 43 3/8" | 2 3/8" | 46" | 31 3/8" | 34" |
| BLW45/48__BUTT (SD) | 45" | 29 3/4" | DR16__ BUTT (2) | 46 3/8" | 2 3/8" | 49" | 34 3/8" | 37" |
| BLW48/51__BUTT (SD) | 48" | 32 3/4" | DR18__ BUTT (2) | 49 3/8" | 2 3/8" | 52" | 37 3/8" | 40" |

Blind Peninsula Wall Cabinets

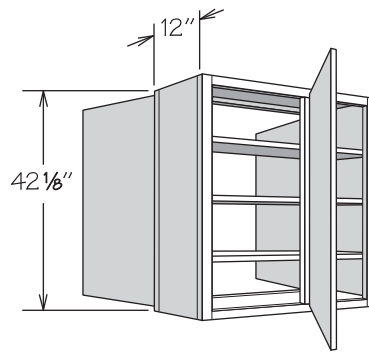


For Increased Depth cabinets, please refer to the installation notes listed in the Increased Depth Construction Option section.

Blind Peninsula Wall cabinets are 24" wide and range in height from 24" to 42".

Blind Peninsula Wall

42" High, 3 Doors



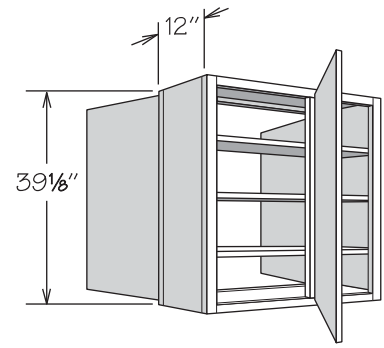
■ BLPW2442 BUTT
BLPW2442 BUTT SD

| |
|-------|
| APC |
| FE |
| ID |
| ■ MI |
| PE |
| RD |
| ■ VDO |

- Three adjustable shelves
- Cabinet shown as right indicating blind opening is on the right side of the cabinet (can be reversed in the field)
- Includes 1/8" panel to cover blind opening (field trim and install)
- Refer to Blind Peninsula Wall Cabinet Installation Chart for specifications
- Must order Universal Fillers separately

Blind Peninsula Wall

39" High, 3 Doors



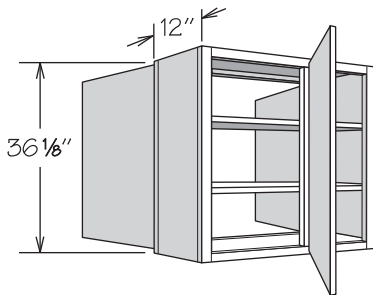
■ BLPW2439 BUTT
BLPW2439 BUTT SD

| |
|-------|
| APC |
| FE |
| ID |
| ■ MI |
| PE |
| RD |
| ■ VDO |

- Three adjustable shelves
- Cabinet shown as right indicating blind opening is on the right side of the cabinet (can be reversed in the field)
- Includes 1/8" panel to cover blind opening (field trim and install)
- Refer to Blind Peninsula Wall cabinet Installation Chart for specifications
- Must order Universal Fillers separately

Blind Peninsula Wall

36" High, 3 Doors



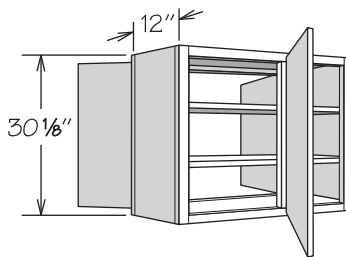
■ BLPW2436 BUTT
BLPW2436 BUTT SD

| |
|-------|
| APC |
| FE |
| ID |
| ■ MI |
| PE |
| RD |
| ■ VDO |

- Two adjustable shelves
- Cabinet shown as right indicating blind opening is on the right side of the cabinet (can be reversed in the field)
- Includes 1/8" panel to cover blind opening (field trim and install)
- Refer to Blind Peninsula Wall cabinet Installation Chart for specifications
- Must order Universal Fillers separately

Blind Peninsula Wall

30" High, 3 Doors



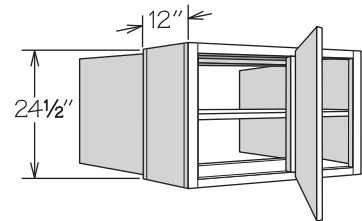
■ BLPW2430 BUTT
BLPW2430 BUTT SD

| |
|-------|
| APC |
| FE |
| ID |
| ■ MI |
| PE |
| RD |
| ■ VDO |

- Two adjustable shelves
- Cabinet shown as right indicating blind opening is on the right side of the cabinet (can be reversed in the field)
- Includes 1/8" panel to cover blind opening (field trim and install)
- Refer to Blind Peninsula Wall cabinet Installation Chart for specifications
- Must order Universal Fillers separately

Blind Peninsula Wall

24" High, 3 Doors

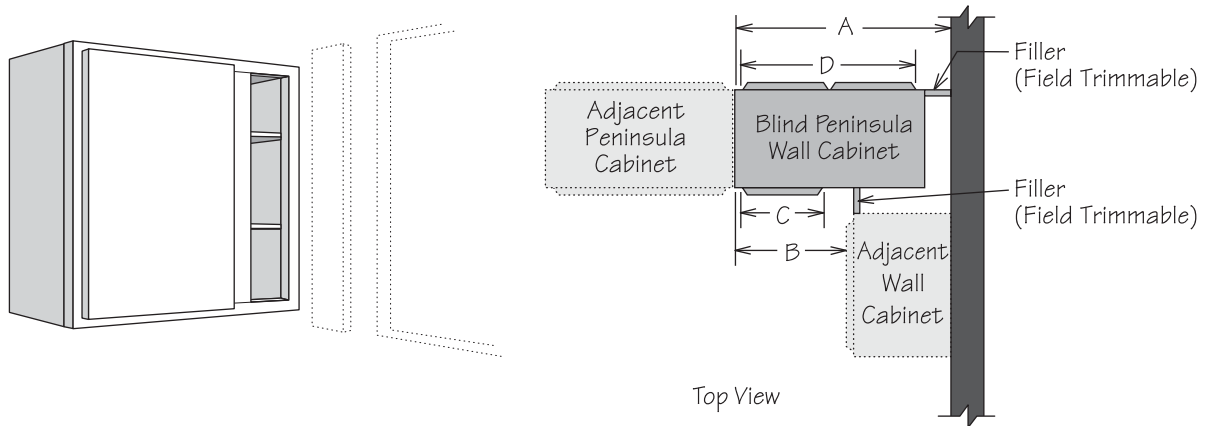


■ BLPW2424 BUTT
BLPW2424 BUTT SD

| |
|-------|
| APC |
| FE |
| ID |
| ■ MI |
| PE |
| RD |
| ■ VDO |

- One adjustable shelf
- Cabinet shown as right indicating blind opening is on the right side of the cabinet (can be reversed in the field)
- Includes 1/8" panel to cover blind opening (field trim and install)
- Refer to Blind Peninsula Wall cabinet Installation Chart for specifications
- Must order Universal Fillers separately

Blind Peninsula Wall Cabinet Installation Chart



Full Overlay (FOL) Door Styles

Full Overlay door styles require decorative hardware, which has been calculated into dimensions.

*Must use these dimensions if optional Overlay Fillers will be used.

| Cabinet | Actual Cabinet Width | Door Opening C | Door C | Door Opening D | Doors (2) D | Wall Space A | | | Exposed Frame B | | Filler (at wall) | |
|--------------------|----------------------|----------------|--------|----------------|-------------|---------------|--------------|----------------|-----------------|----------------|------------------|----------|
| | | | | | | Minimum Space | Maximum Pull | Maximum Space* | Minimum Space | Maximum Space* | Minimum | Maximum* |
| BLPW2424 BUTT (SD) | 24" | 8 3/4" | DR1224 | 20 3/4" | DR1224 BUTT | 26 1/4" | 3/4" | 27" | 14 1/4" | 15" | 2 1/4" | 3" |
| BLPW2430 BUTT (SD) | 24" | 8 3/4" | DR1230 | 20 3/4" | DR1230 BUTT | 26 1/4" | 3/4" | 27" | 14 1/4" | 15" | 2 1/4" | 3" |
| BLPW2436 BUTT (SD) | 24" | 8 3/4" | DR1236 | 20 3/4" | DR1236 BUTT | 26 1/4" | 3/4" | 27" | 14 1/4" | 15" | 2 1/4" | 3" |
| BLPW2439 BUTT (SD) | 24" | 8 3/4" | DR1239 | 20 3/4" | DR1239 BUTT | 26 1/4" | 3/4" | 27" | 14 1/4" | 15" | 2 1/4" | 3" |
| BLPW2442 BUTT (SD) | 24" | 8 3/4" | DR1242 | 20 3/4" | DR1242 BUTT | 26 1/4" | 3/4" | 27" | 14 1/4" | 15" | 2 1/4" | 3" |

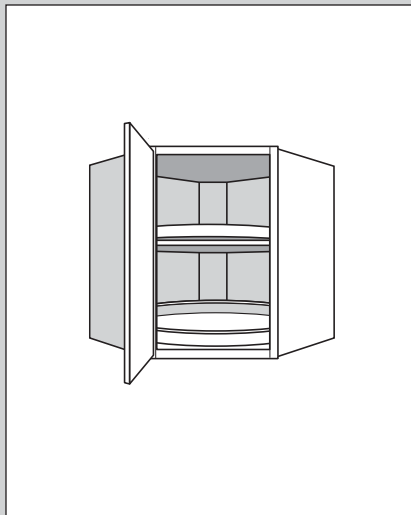
Partial Overlay (POL) Door Styles

Wall Space A requirements include optional decorative hardware clearance.

*1 1/4" may be deducted if decorative hardware is not used.

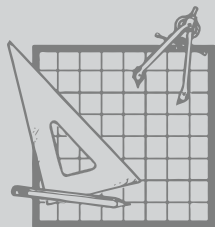
| Cabinet | Actual Cabinet Width | Door Opening C | Door C | Door Opening D | Doors (2) D | Wall Space A | | | Exposed Frame B | | Filler (at wall) | |
|--------------------|----------------------|----------------|--------|----------------|-------------|----------------|---------------|----------------|-----------------|---------------|------------------|---------|
| | | | | | | Minimum Space* | Maximum Pull* | Maximum Space* | Minimum Space | Maximum Space | Minimum | Maximum |
| BLPW2424 BUTT (SD) | 24" | 8 3/4" | DR1224 | 20 3/4" | DR1224 BUTT | 25 3/8" | 1 1/8" | 27" | 13 3/8" | 15" | 1 1/8" | 3" |
| BLPW2430 BUTT (SD) | 24" | 8 3/4" | DR1230 | 20 3/4" | DR1230 BUTT | 25 3/8" | 1 1/8" | 27" | 13 3/8" | 15" | 1 1/8" | 3" |
| BLPW2436 BUTT (SD) | 24" | 8 3/4" | DR1236 | 20 3/4" | DR1236 BUTT | 25 3/8" | 1 1/8" | 27" | 13 3/8" | 15" | 1 1/8" | 3" |
| BLPW2439 BUTT (SD) | 24" | 8 3/4" | DR1239 | 20 3/4" | DR1239 BUTT | 25 3/8" | 1 1/8" | 27" | 13 3/8" | 15" | 1 1/8" | 3" |
| BLPW2442 BUTT (SD) | 24" | 8 3/4" | DR1242 | 20 3/4" | DR1242 BUTT | 25 3/8" | 1 1/8" | 27" | 13 3/8" | 15" | 1 1/8" | 3" |

Corner Wall Cabinets



Corner Wall cabinets range in height from 18" to 48".

Corner Wall cabinets must be ordered hinged left or right.

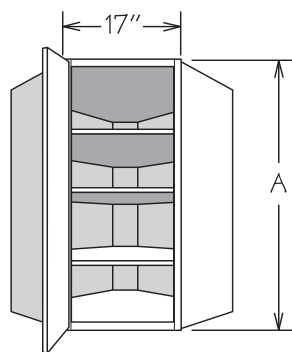
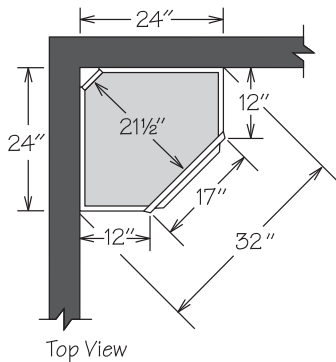


To ensure proper door function, cabinets or other design elements deeper than 12" should not be placed on either side of the Corner Wall cabinet.

If the Corner Wall cabinet is deeper than the adjacent cabinets, fillers are recommended for placement left and right of the Corner Wall to ensure proper door operation on standard depth wall cabinets.

For a finished, decorative look add Overlay Fillers (Full Overlay door styles) to Universal Fillers or Decorative Blocks to Fluted Beaded Fillers.

**Corner Wall
24" Deep**

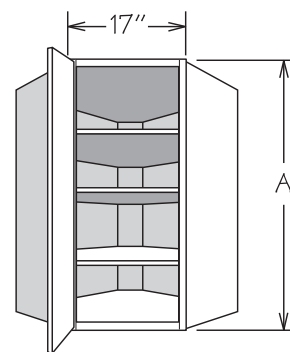
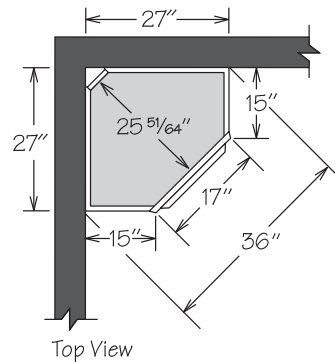


| | A | Adj. Shelves |
|----------|---------|--------------|
| ■ CW2418 | 18 1/8" | 0 |
| ■ CW2424 | 24 1/2" | 1 |
| ■ CW2430 | 30 3/8" | 2 |
| ■ CW2436 | 36 1/2" | 2 |
| ■ CW2439 | 39 3/8" | 3 |
| ■ CW2442 | 42 1/2" | 3 |

| | |
|--|-------|
| <ul style="list-style-type: none"> ■ CW2418 ■ CW2424 ■ CW2430 ■ CW2436 ■ CW2439 ■ CW2442 | APC |
| | FE |
| | ■ MI |
| | PE |
| | ■ VDO |
| <ul style="list-style-type: none"> CW2418 SD CW2424 SD CW2430 SD CW2436 SD CW2439 SD CW2442 SD | |

- Door opening is 11 3/4" wide
- Features a DR15___ door
- Shelf in CW2424 (SD) is adjustable, but non-removable

**Corner Wall
27" Deep**

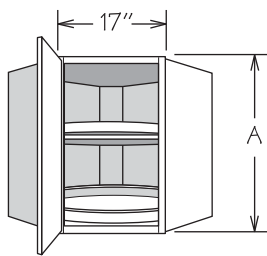
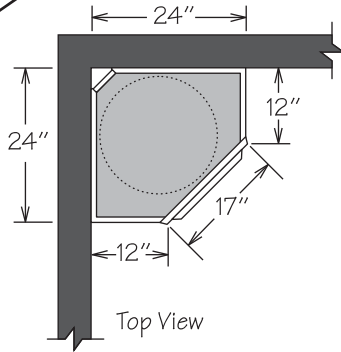


| | A | Adj. Shelves |
|----------|---------|--------------|
| ■ CW2718 | 18 1/8" | 0 |
| ■ CW2724 | 24 1/2" | 1 |
| ■ CW2730 | 30 3/8" | 2 |
| ■ CW2736 | 36 1/2" | 2 |
| ■ CW2739 | 39 3/8" | 3 |
| ■ CW2742 | 42 1/2" | 3 |

| | |
|--|-------|
| <ul style="list-style-type: none"> ■ CW2718 ■ CW2724 ■ CW2730 ■ CW2736 ■ CW2739 ■ CW2742 | APC |
| | FE |
| | ■ MI |
| | PE |
| | ■ VDO |
| <ul style="list-style-type: none"> CW2718 SD CW2724 SD CW2730 SD CW2736 SD CW2739 SD CW2742 SD | |

- Door opening is 11 3/4" wide
- Features a DR15___ door
- Shelf in CW2724 (SD) is adjustable, but non-removable - Glass Shelf Kit not available

**Corner Wall
With Wood Spin Units**

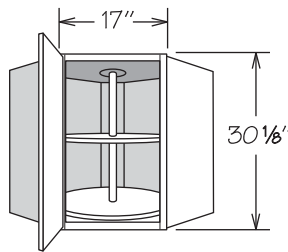
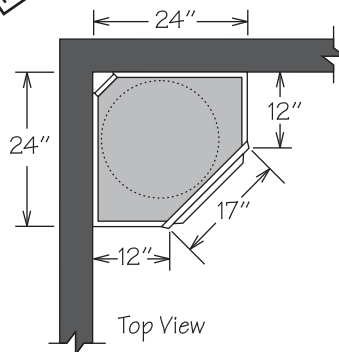


| | A | Wood Spin Units |
|------------|---------|-----------------|
| CWS2430 WD | 30 1/8" | 2 |
| CWS2436 WD | 36 1/8" | 2 |
| CWS2439 WD | 39 1/8" | 3 |
| CWS2442 WD | 42 1/8" | 3 |

| | |
|---------------|-----|
| ■ CWS2430 WD | APC |
| ■ CWS2436 WD | FE |
| ■ CWS2439 WD | MI |
| ■ CWS2442 WD | PE |
| | VDO |
| CWS2430 WD SD | |
| CWS2436 WD SD | |
| CWS2439 WD SD | |
| CWS2442 WD SD | |

- Door opening is 11 3/4" wide
- Natural finish wood spin units feature 1" lip and are 18" in diameter
- One wood spin unit is mounted on cabinet floor and is not adjustable
- Remaining wood spin unit(s) attached to 3/4" adjustable shelf
- Features a DR15__ door

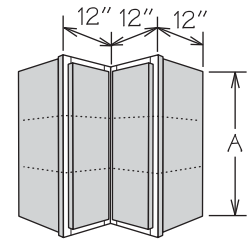
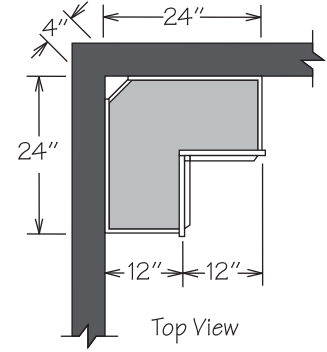
**Corner Wall
With Plastic Spin Shelves**



| | |
|------------|-----|
| ■ CWS2430 | APC |
| CWS2430 SD | FE |
| | MI |
| | PE |
| | VDO |

- Features two 18" diameter full round spin shelves with pole (top shelf adjustable)
- Shelves are white high-strength plastic
- Door opening is 11 3/4" wide
- Features a DR1530 door

Wall Easy Reach

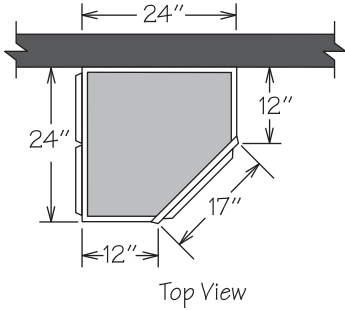


| | A | Adj. Shelves |
|---------|---------|--------------|
| WER2430 | 30 1/8" | 2 |
| WER2436 | 36 1/8" | 2 |
| WER2439 | 39 1/8" | 3 |
| WER2442 | 42 1/8" | 3 |

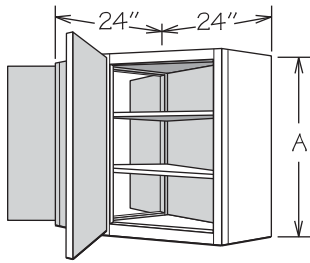
| | |
|---------|-----|
| WER2430 | APC |
| WER2436 | FE |
| WER2439 | MI |
| WER2442 | PE |

- Features a bi-fold door
- Cabinet can be flipped for left/right hinging

Peninsula Corner Wall



Top View

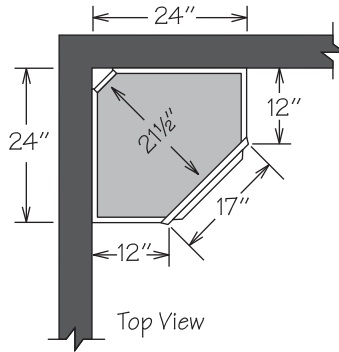


| | A | Adj. Shelves |
|---------------|---------|--------------|
| PWCW2430 BUTT | 30 3/8" | 2 |
| PWCW2436 BUTT | 36 1/8" | 2 |
| PWCW2439 BUTT | 39 1/8" | 3 |
| PWCW2442 BUTT | 42 1/8" | 3 |

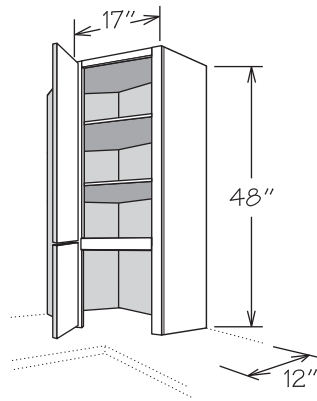
| | |
|------------------|-----|
| ■ PWCW2430 BUTT | APC |
| ■ PWCW2436 BUTT | FE |
| ■ PWCW2439 BUTT | MI |
| ■ PWCW2442 BUTT | PE |
| | VDO |
| PWCW2430 BUTT SD | |
| PWCW2436 BUTT SD | |
| PWCW2439 BUTT SD | |
| PWCW2442 BUTT SD | |

- Two doors on peninsula side
- Recommend attachment to soffit or ceiling and to all adjacent cabinets

**Corner Wall
With Appliance Garage**



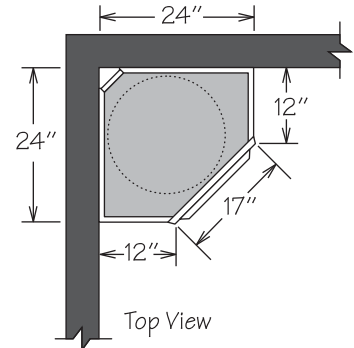
Top View



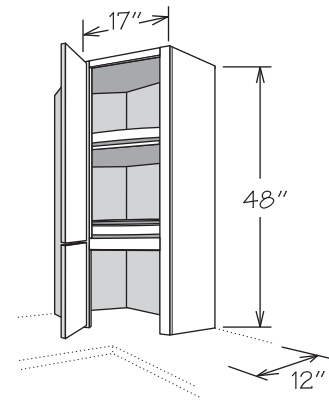
| | |
|------------|-----|
| ■ CWD2448 | APC |
| CWD2448 SD | FE |
| | MI |
| | PE |
| | VDO |

- Two adjustable shelves
- Features two doors:
 - (1) DR1530
 - (1) DR1518
- 11 3/4" wide x 26 7/8" high top door opening
- 11 3/4" wide x 15 5/8" high appliance garage opening
- Specialty door option only applies to top door - replacement DR1518 SD can be ordered separately for bottom door

**Corner Wall
With Appliance Garage
and Wood Spin Units**



Top View

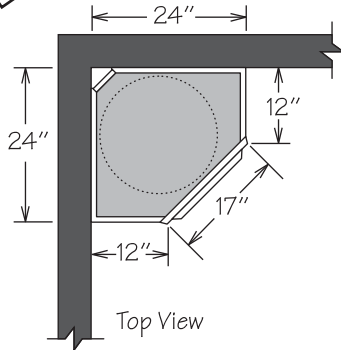


| | |
|----------------|-----|
| ■ CWDS2448 WD | APC |
| CWDS2448 WD SD | FE |
| | MI |
| | PE |
| | VDO |

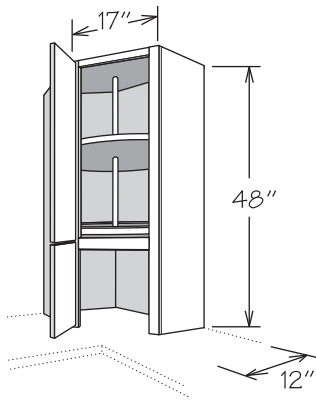
- Top section features:
 - One fixed wood spin unit mounted on cabinet floor
 - One wood spin unit attached to 3/4" adjustable shelf
- Natural finished wood spin units feature a 1" lip and are 18" in diameter
- Features two doors:
 - (1) DR1530
 - (1) DR1518
- 11 3/4" wide x 26 7/8" high top door opening
- 11 3/4" wide x 15 5/8" high appliance garage opening
- Specialty door option only applies to top door - replacement DR1518 SD can be ordered separately for bottom door

**Corner Wall
With Appliance Garage
and Plastic Spin Units**

**FACTORY
INSTALLED**



Top View

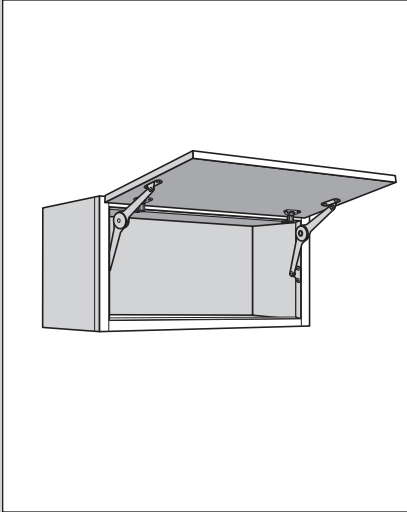


■ CWDS2448
CWDS2448 SD

| | |
|---|-----|
| ■ | APC |
| ■ | FE |
| ■ | MI |
| ■ | PE |
| ■ | VDO |

- Top section features two 18" diameter full round spin shelves with pole (top shelf adjustable)
- Shelves are white high-strength plastic
- Features two doors:
 - (1) DR1530
 - (1) DR1518
- 11¼" wide x 26¾" high top door opening
- 11¼" wide x 15½" high appliance garage opening
- Specialty door option only applies to top door - replacement DR1518 SD can be ordered separately for bottom door

Wall Top Hinge Cabinets

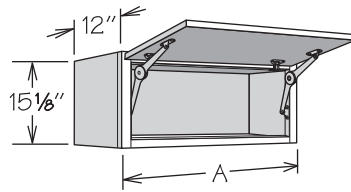


Wall Top Hinge cabinets are 30" or 36" wide, 15" or 18" high and 12" or 24" deep.

Hanover in Breeze and Drift features a door with vertical grain direction. All other door styles use a standard wall door in horizontal orientation which causes rails, stiles and insert panel grain direction to differ from standard wall cabinets.

For Increased Depth cabinets, please refer to the installation notes listed in the Increased Depth Construction Option section.

**Wall Top Hinge
15" High**

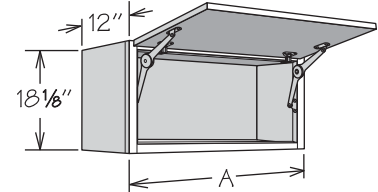


| | |
|---------|-----|
| | A |
| WTH3015 | 30" |
| WTH3615 | 36" |

| | |
|--|------|
| <ul style="list-style-type: none"> ■ WTH3015 ■ WTH3615 WTH3015 SD WTH3615 SD | APC |
| | FE |
| | ID |
| | ■ MI |
| | PE |
| | RD |
| ■ VDO | |

- No shelf
- Features one pair of factory-installed field-adjustable lid stays that supports door securely at any angle up to 105 degrees
- Not available for the Shorebrook door style
- Cabinet can be flipped to open downwards and lid stays can be adjusted to support door
- Wall Top Hinge SD cabinets not available with MFD
- Only available with RD-11 through RD-8

**Wall Top Hinge
18" High**

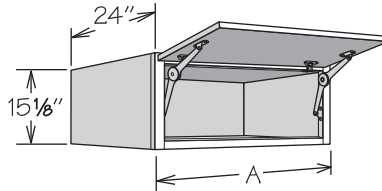


| | |
|---------|-----|
| | A |
| WTH3018 | 30" |
| WTH3618 | 36" |

| | |
|--|------|
| <ul style="list-style-type: none"> ■ WTH3018 ■ WTH3618 WTH3018 SD WTH3618 SD | APC |
| | FE |
| | ID |
| | ■ MI |
| | PE |
| | RD |
| ■ VDO | |

- No shelf
- Features one pair of factory-installed field-adjustable lid stays that supports door securely at any angle up to 105 degrees
- Not available for the Shorebrook door style
- Cabinet can be flipped to open downwards and lid stays can be adjusted to support door
- Wall Top Hinge SD cabinets not available with MFD
- Only available with RD-11 through RD-8

**Wall Top Hinge
15" High x 24" Deep**

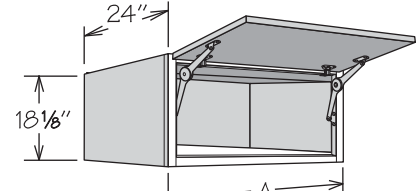


| | |
|----------------|-----|
| | A |
| WTH3015 X 24DP | 30" |
| WTH3615 X 24DP | 36" |

| | |
|--|-------|
| <ul style="list-style-type: none"> ■ WTH3015 X 24DP ■ WTH3615 X 24DP WTH3015 X 24DP SD WTH3615 X 24DP SD | APC |
| | FE |
| | ■ MI |
| | PE |
| | RD |
| | ■ VDO |

- No shelf
- Features one pair of factory-installed field-adjustable lid stays that supports door securely at any angle up to 105 degrees
- Not available for the Shorebrook door style
- Cabinet can be flipped to open downwards and lid stays can be adjusted to support door
- Each side of cabinet must be attached to a cabinet, wall or Refrigerator Return Panel
- Wall Top Hinge SD cabinets not available with MFD
- Only available with RD-23 through RD-8

**Wall Top Hinge
18" High x 24" Deep**

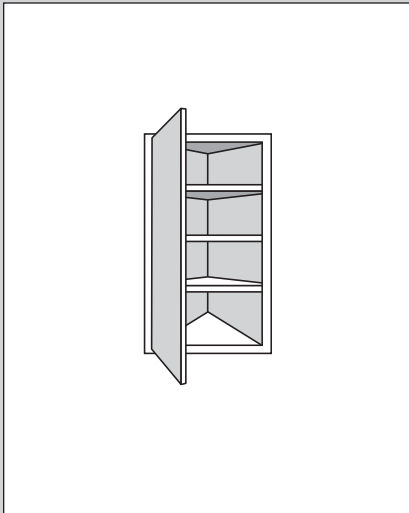


| | |
|----------------|-----|
| | A |
| WTH3018 X 24DP | 30" |
| WTH3618 X 24DP | 36" |

| | |
|--|-------|
| <ul style="list-style-type: none"> ■ WTH3018 X 24DP ■ WTH3618 X 24DP WTH3018 X 24DP SD WTH3618 X 24DP SD | APC |
| | FE |
| | ■ MI |
| | PE |
| | RD |
| | ■ VDO |

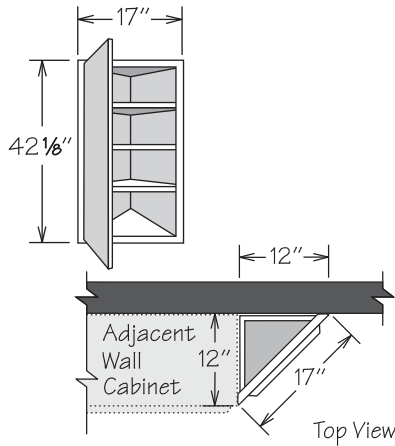
- No shelf
- Features one pair of factory-installed field-adjustable lid stays that supports door securely at any angle up to 105 degrees
- Not available for the Shorebrook door style
- Cabinet can be flipped to open downwards and lid stays can be adjusted to support door
- Each side of cabinet must be attached to a cabinet, wall or Refrigerator Return Panel
- Wall Top Hinge SD cabinets not available with MFD
- Only available with RD-23 through RD-8

Wall End Angle Cabinets



Wall End Angle cabinets must be ordered hinged left or right.

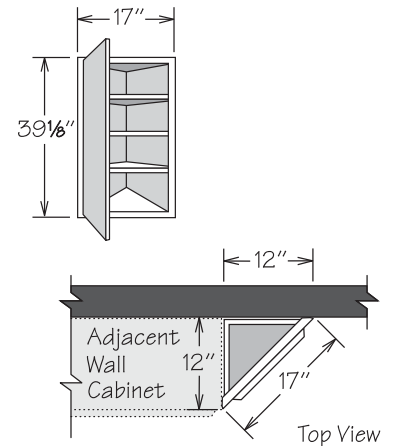
Wall End Angle
42" High



- WEA1242
 - WEA1242 SD
- | |
|-------|
| ■ APC |
| ■ MI |
| ■ PE |
| ■ VDO |

- Requires 12" x 12" space
- Three adjustable shelves
- Features a DR1542 door

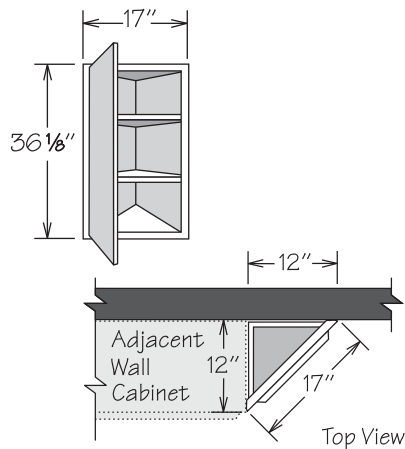
Wall End Angle
39" High



- WEA1239
 - WEA1239 SD
- | |
|-------|
| ■ APC |
| ■ MI |
| ■ PE |
| ■ VDO |

- Requires 12" x 12" space
- Three adjustable shelves
- Features a DR1539 door

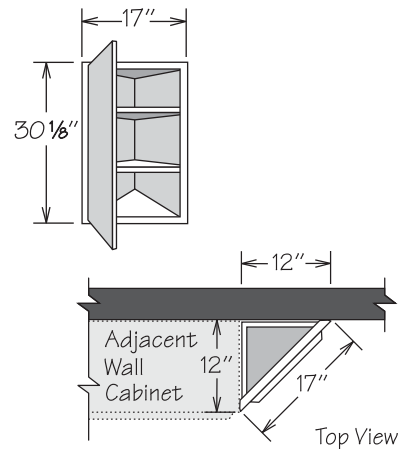
Wall End Angle
36" High



- WEA1236
 - WEA1236 SD
- | |
|-------|
| ■ APC |
| ■ MI |
| ■ PE |
| ■ VDO |

- Requires 12" x 12" space
- Two adjustable shelves
- Features a DR1536 door

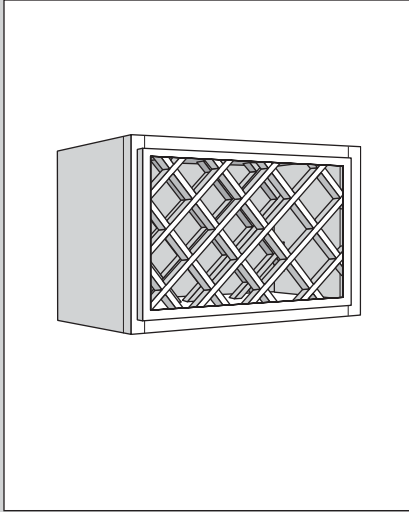
Wall End Angle
30" High



- WEA1230
 - WEA1230 SD
- | |
|-------|
| ■ APC |
| ■ MI |
| ■ PE |
| ■ VDO |

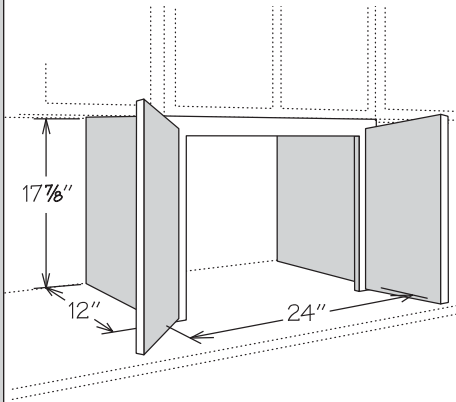
- Requires 12" x 12" space
- Two adjustable shelves
- Features a DR1530 door

Specialty Wall Cabinets

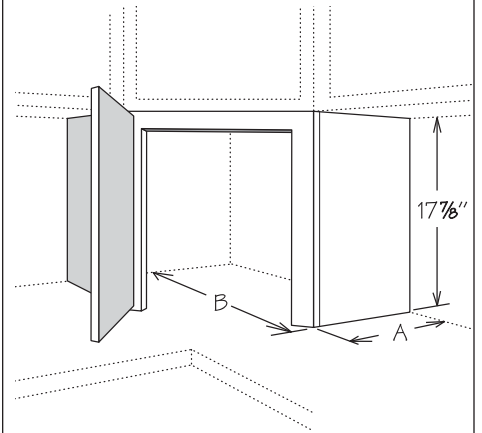


Specialty Wall Cabinets ordered in Duraform door styles are finished to match cabinet box exterior unless noted otherwise.

Straight Appliance Garage



Corner Appliance Garage



| | A | B |
|---------|-----|-----|
| AGD2418 | 12" | 24" |
| AGD2718 | 15" | 27" |

- AGSD24 BUTT
- AGSD24 BUTT SD

| |
|-------|
| APC |
| FE |
| ID |
| ■ MI |
| PE |
| RD |
| ■ VDO |

- Features two DR1218 BUTT (SD) doors
- Installs below minimum 24" wide wall cabinet
- 20 3/4" wide x 15 5/8" high high frame opening
- Shipped with side panels unattached

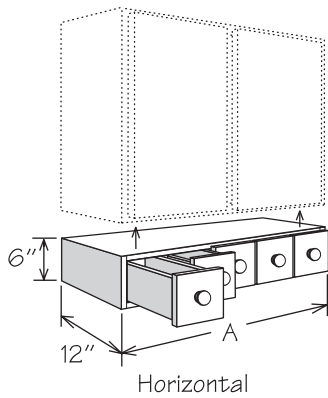
- AGD2418
- AGD2718

AGD2418 SD
AGD2718 SD

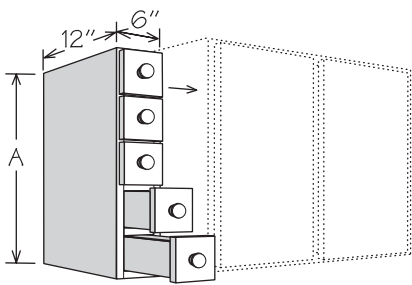
| |
|-------|
| APC |
| FE |
| ■ MI |
| PE |
| ■ VDO |

- Features one DR1518 (SD) door
- Installs below CW and CWS corner wall cabinets
- 11 3/4" wide x 15 5/8" high high frame opening
- Shipped with side panels unattached

Spice Drawer Cabinet



Horizontal



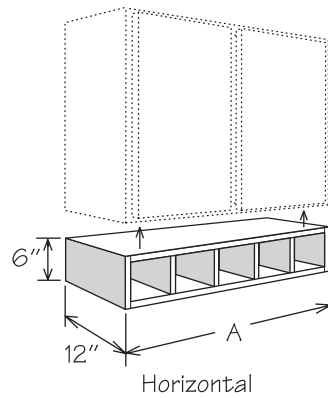
Vertical

| | A | Number of Drawers |
|-------|-----|-------------------|
| SDC18 | 18" | 3 |
| SDC24 | 24" | 4 |
| SDC30 | 30" | 5 |
| SDC36 | 36" | 6 |

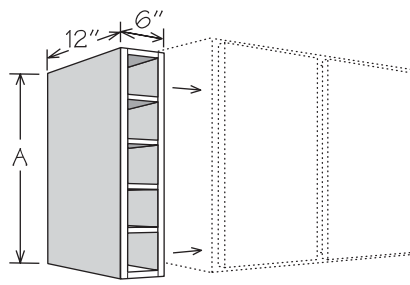
SDC18
SDC24
SDC30
SDC36

- Designed for horizontal or vertical installation
- Vertical installation may require the use of fillers and/or molding which must be ordered separately
- Features veneered engineered wood with exterior only finished
- Drawer fronts are finished to match cabinet box exterior
- Flush sides
- All wood drawer body with dovetail construction
- Features 1/2" thick slab drawer fronts for all door styles
- Breeze, Pewter Glaze and Linen (Duraform and Painted) finishes feature white porcelain knobs, all other finishes feature matching wood knobs

Storage Cube



Horizontal



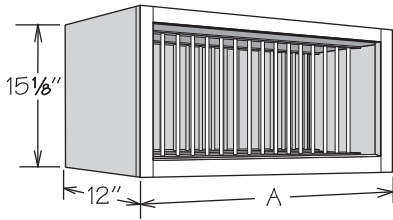
Vertical

| | A | Number of Openings |
|------|-----|--------------------|
| SC30 | 30" | 5 |
| SC36 | 36" | 6 |
| SC42 | 42" | 7 |

SC30
SC36
SC42

- Designed for horizontal or vertical installation
- Vertical installation may require the use of fillers and/or molding which must be ordered separately
- Opening size is 5" wide x 4 1/2" high (horizontal) which will accommodate most wine bottles and various other storage needs
- Features 3/4" veneered engineered wood finished to match cabinet box exterior
- Interior finished to match cabinet box exterior
- Flush sides
- Cannot be retrofitted with Spice Drawer cabinet drawers

Wall China Cabinet

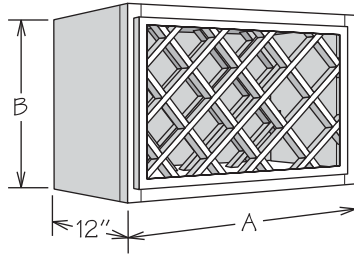


| | A | Number of Dowels | Number of Plates |
|---------|-----|------------------|------------------|
| WCC2415 | 24" | 20 | 9 |
| WCC3015 | 30" | 26 | 12 |
| WCC3615 | 36" | 32 | 15 |

| | |
|---------|-----|
| WCC2415 | APC |
| WCC3015 | FE |
| WCC3615 | PE |

- Interior finished to match cabinet box exterior
- Use with 11½" diameter (or smaller) dinner plates
- Spindles can be removed for cleaning
- Spindles shipped separately for field installation
- Accent Molding recommended – order separately
- Use of Accent Molding will reduce available plate diameter to 11"
- Cabinet must be installed between two adjacent cabinets, one cabinet and a wall, or secured to a cabinet directly above or below

Wine Rack Cabinet

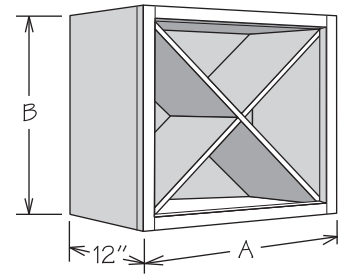


| | A | B | Number of Bottles |
|---------|-----|-------|-------------------|
| WRC1530 | 15" | 30 ½" | 10 |
| WRC1830 | 18" | 30 ½" | 11 |
| WRC3015 | 30" | 15 ½" | 10 |
| WRC3018 | 30" | 18 ½" | 11 |
| WRC3615 | 36" | 15 ½" | 13 |

| | |
|---------|-----|
| WRC1530 | APC |
| WRC1830 | FE |
| WRC3015 | PE |
| WRC3018 | |
| WRC3615 | |

- Interior finished to match cabinet box exterior
- Wine bottle opening is 4" x 4"
- Cabinet must be installed between two adjacent cabinets, one cabinet and a wall, or secured to a cabinet directly above or below

Wine Storage Cabinet

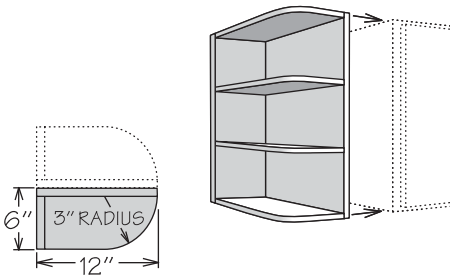


| | A | B | Number of Bottles |
|---------|-----|-------|-------------------|
| WSC1818 | 18" | 18 ½" | 12 |
| WSC2424 | 24" | 24 ½" | 30 |

| | |
|---------|-----|
| WSC1818 | APC |
| WSC2424 | FE |
| | PE |

- Interior finished to match cabinet box exterior
- Standard cabinet sides are ½" engineered wood
- Features ¾" plywood partitions
- Cabinet must be installed between two adjacent cabinets, one cabinet and a wall, or secured to a cabinet directly above or below
- Accent Molding recommended – order separately

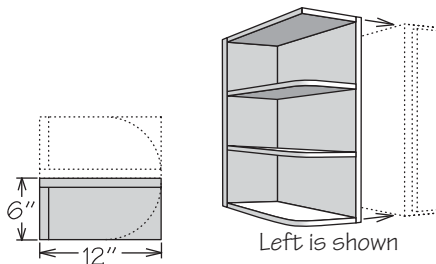
Shelf End Wall Round Top and Bottom



SEW30
SEW36
SEW39
SEW42

- Interior finished to match cabinet box exterior
- Invert for left or right
- Features ½" veneered engineered wood back and side
- Top, bottom and non-adjustable shelves are ¾" veneered engineered wood with 3" radius
- 30" and 36" high feature two shelves
- 39" and 42" high feature three shelves
- 1½" screw recommended from inside of adjacent cabinet for installation

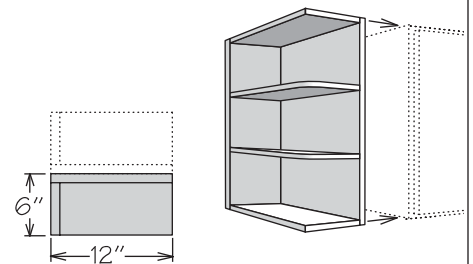
Shelf End Wall Square Top and Round Bottom



SEW30L SQT SEW39L SQT
SEW30R SQT SEW39R SQT
SEW36L SQT SEW42L SQT
SEW36R SQT SEW42R SQT

- Interior finished to match cabinet box exterior
- Must be ordered as right or left – NOT reversible
- Features ½" veneered engineered wood back and side
- Top, bottom and non-adjustable shelves are ¾" veneered engineered wood
- Bottom shelf features a 3" radius
- 30" and 36" high feature two shelves
- 39" and 42" high feature three shelves
- 1½" screw recommended from inside of adjacent cabinet for installation

Shelf End Wall Square Top and Bottom

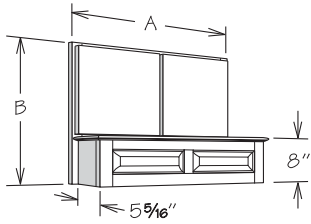


SEW30 SQT B
SEW36 SQT B
SEW39 SQT B
SEW42 SQT B

- Interior finished to match cabinet box exterior
- Invert for left or right
- Features ½" veneered engineered wood back and side
- Top, bottom and non-adjustable shelves are ¾" veneered engineered wood
- Intermediate shelves feature a 3" radius
- 30" and 36" high feature two shelves
- 39" and 42" high feature three shelves
- 1½" screw recommended from inside of adjacent cabinet for installation

Wall Range Hood
Raised Panel

NEW! PRODUCT

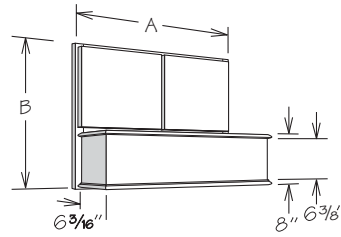


| | A | B | Doors |
|------------|-----|-----|-----------------|
| WRH3024 RP | 30" | 24" | (2) DR1515 BUTT |
| WRH3624 RP | 36" | 24" | (2) DR1815 BUTT |
| WRH3027 RP | 30" | 27" | (2) DR1518 BUTT |
| WRH3627 RP | 36" | 27" | (2) DR1818 BUTT |
| WRH3030 RP | 30" | 30" | (2) DR1521 BUTT |
| WRH3630 RP | 36" | 30" | (2) DR1821 BUTT |

WRH3024 RP WRH3627 RP
 WRH3624 RP WRH3030 RP
 WRH3027 RP WRH3630 RP

- Must be installed between two wall cabinets
- Wall Range Hood features center stile behind BUTT doors
- Range hood doors will match door style ordered
- For Duraform door styles, only the doors will be Duraform, all other finished surfaces will match cabinet box exterior
- Door opens to allow for duct work installation and wiring
- Silver metallic liner included
- Order range hood blower separately
- Not for use with RHVENT 960

Wall Range Hood
Straight Valance



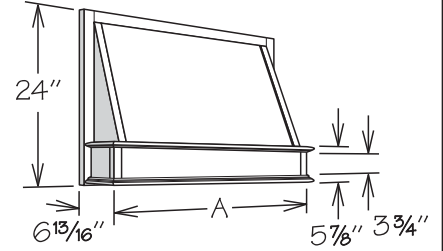
| | A | B | Doors |
|------------|-----|-----|-----------------|
| WRH3024 SV | 30" | 24" | (2) DR1515 BUTT |
| WRH3624 SV | 36" | 24" | (2) DR1815 BUTT |
| WRH3027 SV | 30" | 27" | (2) DR1518 BUTT |
| WRH3627 SV | 36" | 27" | (2) DR1818 BUTT |
| WRH3030 SV | 30" | 30" | (2) DR1521 BUTT |
| WRH3630 SV | 36" | 30" | (2) DR1821 BUTT |

WRH3024 SV WRH3627 SV
 WRH3624 SV WRH3030 SV
 WRH3027 SV WRH3630 SV

- Must be installed between two wall cabinets
- Wall Range Hood features center stile behind BUTT doors
- Range hood doors will match door style ordered
- For Duraform door styles, only the doors will be Duraform, all other finished surfaces will match cabinet box exterior
- Door opens to allow for duct work installation and wiring
- Silver metallic liner included
- Order range hood blower separately
- Not for use with RHVENT 960

Wall Range Hood
Classic Tapered

NEW! PRODUCT



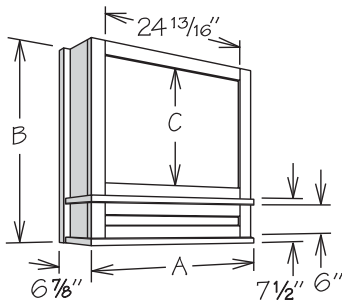
| | A |
|------------|-----|
| WRH3024 CT | 30" |
| WRH3624 CT | 36" |

WRH3024 CT
 WRH3624 CT

- Must be installed between two wall cabinets
- Silver metallic liner included
- Order range hood blower separately
- Not for use with RHVENT 960

Wall Range Hood
Decorative Mantel, One Panel

NEW! PRODUCT



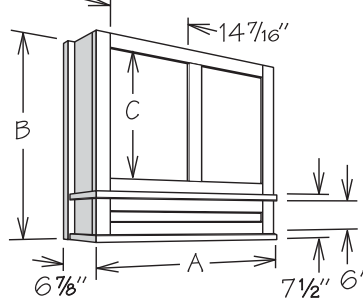
| | A | B | C |
|------------|-----|-----|----------|
| WRH3024 DM | 30" | 24" | 12 5/16" |
| WRH3030 DM | 30" | 30" | 18 5/16" |
| WRH3036 DM | 30" | 36" | 24 5/16" |

WRH3024 DM
 WRH3030 DM
 WRH3036 DM

- Must be installed between two wall cabinets
- Silver metallic liner included
- Order range hood blower separately
- Not for use with RHVENT 960

Wall Range Hood
Decorative Mantel, Two Panel

NEW! PRODUCT



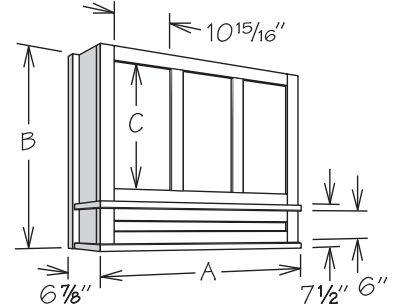
| | A | B | C |
|------------|-----|-----|----------|
| WRH3624 DM | 36" | 24" | 12 5/16" |
| WRH3630 DM | 36" | 30" | 18 5/16" |
| WRH3636 DM | 36" | 36" | 24 5/16" |

WRH3624 DM
 WRH3630 DM
 WRH3636 DM

- Must be installed between two wall cabinets
- Silver metallic liner included
- Order range hood blower separately
- Not for use with RHVENT 960

Wall Range Hood
Decorative Mantel, Three Panel

NEW! PRODUCT



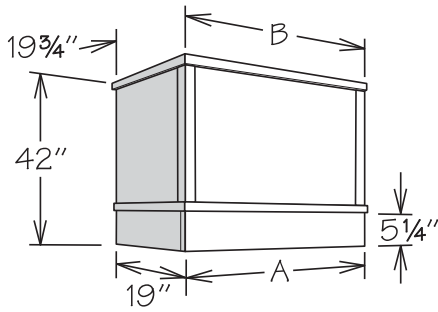
| | A | B | C |
|------------|-----|-----|----------|
| WRH4224 DM | 42" | 24" | 24 5/16" |

WRH4236 DM

- Must be installed between two wall cabinets
- Silver metallic liner included
- Order range hood blower separately
- Not for use with RHVENT 960

Modern Box Range Hood

NEW! PRODUCT



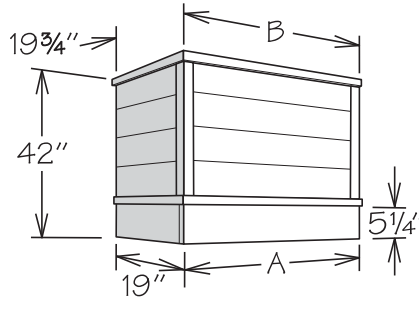
| | A | B |
|-----------|-----|---------|
| RH3642 MB | 36" | 37 1/2" |
| RH4242 MB | 42" | 43 1/2" |
| RH4842 MB | 48" | 49 1/2" |

RH3642 MB
RH4242 MB
RH4842 MB

- All door styles are finished to match cabinet box exterior
- Wall mounted installation only
- Silver metallic liner included
- Order range hood blower separately
- Corner molding included for field installation
- Top molding is removable to allow height to be trimmed to 24"

Shiplap Box Range Hood

NEW! PRODUCT



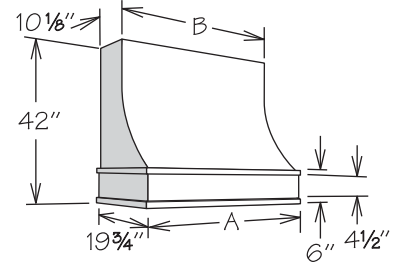
| | A | B |
|-----------|-----|---------|
| RH3642 SB | 36" | 37 1/2" |
| RH4242 SB | 42" | 43 1/2" |
| RH4842 SB | 48" | 49 1/2" |

RH3642 SB
RH4242 SB
RH4842 SB

- All door styles are finished to match cabinet box exterior
- Wall mounted installation only
- Silver metallic liner included
- Order range hood blower separately
- Corner molding included for field installation
- Top molding is removable to allow height to be trimmed to 24"

Sloped Range Hood

NEW! PRODUCT



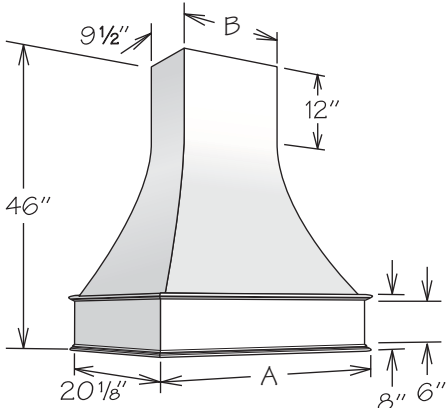
| | A | B |
|-----------|----------|---------|
| RH3642 SL | 37 9/16" | 34 1/2" |
| RH4242 SL | 43 9/16" | 40 1/2" |

RH3642 SL
RH4242 SL

- All door styles are finished to match cabinet box exterior
- Wall mounted installation only
- Silver metallic liner included
- Order range hood blower separately
- Field trimmable in height to 24"

Artisan Range Hood

NEW! PRODUCT



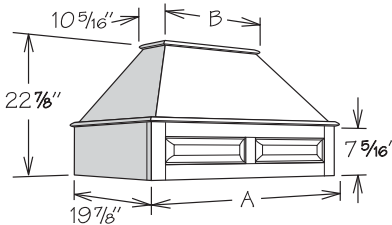
| | A | B |
|----------|----------|-----|
| RH3646 A | 38 9/16" | 17" |
| RH4246 A | 44 9/16" | 23" |

RH3646 A
RH4246 A

- All door styles are finished to match cabinet box exterior
- Wall mounted installation only
- Silver metallic liner included
- Order range hood blower separately
- Field trimmable in height to 24"

Raised Panel Range Hood

NEW! PRODUCT

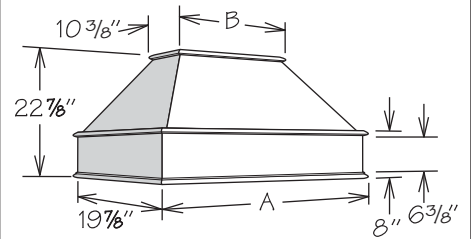


| | A | B |
|-----------|---------|----------|
| RH3624 RP | 37 3/4" | 18 9/16" |
| RH4224 RP | 43 3/4" | 24 9/16" |
| RH4824 RP | 49 3/4" | 30 9/16" |

RH3624 RP
RH4224 RP
RH4824 RP

- All door styles are finished to match cabinet box exterior
- Wall mounted installation only
- Silver metallic liner included
- Order range hood blower separately
- May be accessorized with Range Hood Chimney - order separately

Straight Valance Range Hood

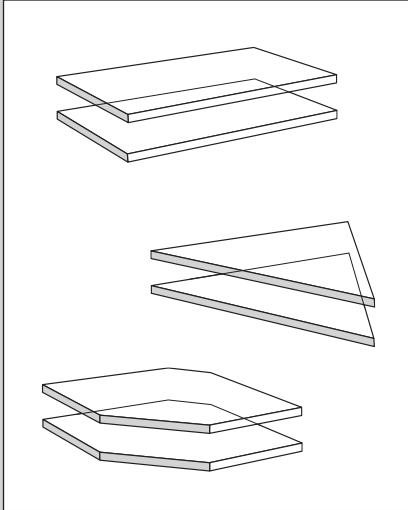


| | A | B |
|-----------|---------|---------|
| RH3624 SV | 37 3/4" | 18 3/4" |
| RH4224 SV | 43 3/4" | 24 3/4" |
| RH4824 SV | 49 3/4" | 30 3/4" |

RH3624 SV
RH4224 SV
RH4824 SV

- All door styles are finished to match cabinet box exterior
- Wall mounted installation only
- Silver metallic liner included
- Order range hood blower separately
- May be accessorized with Range Hood Chimney - order separately

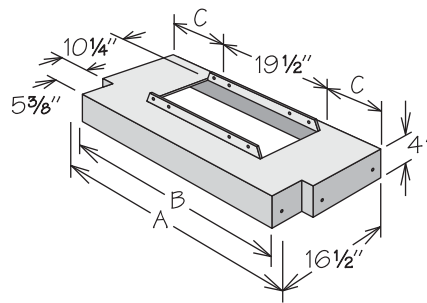
Accessories



Wall Accessories ordered in Duraform door styles are finished to match cabinet box exterior unless noted otherwise.

Wall Range Hood Liner

NEW! SIZE

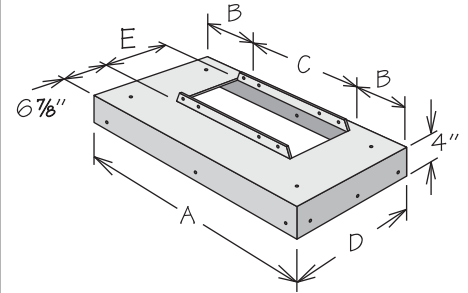


| | A | B | C |
|------------|----------|----------|----------|
| RHLINER 30 | 29 5/16" | 26 3/16" | 5 7/32" |
| RHLINER 36 | 35 5/16" | 32 3/16" | 8 7/32" |
| RHLINER 42 | 41 5/16" | 38 3/16" | 11 7/32" |

RHLINER 30
RHLINER 36
RHLINER 42

- Liner is silver metallic powder-coated metal
- For use with WRH__CT, WRH__DM, WRH__RP or WRH__SV
- Liner included with range hood

Range Hood Liner



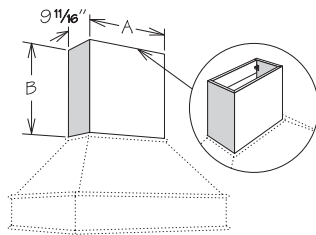
| | A | B | C | D | E |
|-----------------|----------|----------|----------|----------|----------|
| RHLINER 36S | 34 3/32" | 7 7/16" | 19 1/2" | 18 1/4" | 10 1/4" |
| RHLINER 42S | 40 7/32" | 10 7/16" | 19 1/2" | 18 1/4" | 10 1/4" |
| RHLINER 48S | 46 7/32" | 13 7/16" | 19 1/2" | 18 1/4" | 10 1/4" |
| RHLINER 36S SL1 | 34 3/32" | 3 3/4" | 26 5/16" | 18 3/16" | 12 1/16" |
| RHLINER 42S SL1 | 40 7/32" | 6 3/4" | 26 5/16" | 18 3/16" | 12 1/16" |
| RHLINER 48S SL1 | 46 7/32" | 9 3/4" | 26 5/16" | 18 3/16" | 12 1/16" |

RHLINER 36S
RHLINER 42S
RHLINER 48S

RHLINER 36S SL1
RHLINER 42S SL1
RHLINER 48S SL1

- Liner is silver metallic powder-coated metal
- For use with RH__MB, RH__SB, RH__SL, RH__SV, RH__RP, or RH__A
- RHLINER __S SL1 must be used for RHVENT 960 blower
- Liner included with range hood

Range Hood Chimney

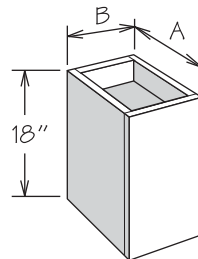


| | A | B |
|---------|---------|---------|
| RHC3623 | 17 3/8" | 23 1/2" |
| RHC4223 | 23 3/8" | 23 1/2" |
| RHC4823 | 29 3/8" | 23 1/2" |
| RHC3631 | 17 3/8" | 31 1/2" |
| RHC4231 | 23 3/8" | 31 1/2" |
| RHC4831 | 29 3/8" | 31 1/2" |

RHC3623 RHC3631
RHC4223 RHC4231
RHC4823 RHC4831

- For use with RH__RP or RH__SV
- Field trimmable in height
- All door styles feature 3/4" solid wood finished to match cabinet box exterior
- Features two chimney mounting blocks with metal fasteners

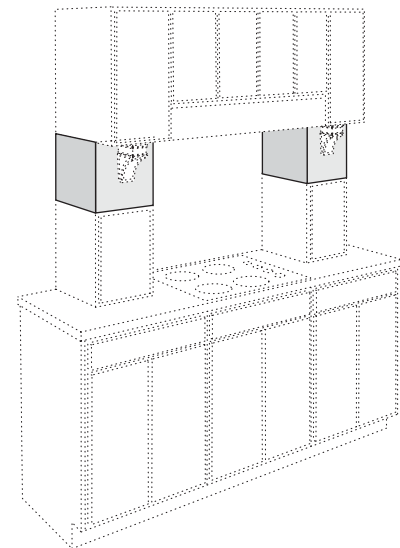
Wall Plain Box Filler



| | A | B |
|-----------|-----|-----|
| WPB91815 | 15" | 9" |
| WPB121815 | 15" | 12" |

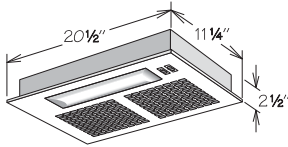
WPB91815
WPB121815

- All door styles finished to match cabinet box exterior
- Veneered engineered wood
- Features 1/4" side reveal
- Trimmable in height to 14 1/8" tall
- Reversible for left or right installation
- Recommend ordering end panels or molding to cover seams between stacked cabinets



Range Hood Blower
260 CFM Vented

NEW! PRODUCT

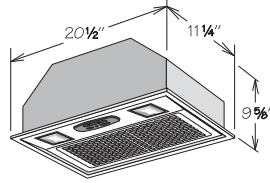


RHVENT 260

- Designed for vented installation where exhaust is vented to exterior of home
- Stainless steel finish
- Requires 7" round duct for venting to exterior (not included)
- 2-speed fan provides 260 CFM on high
- Sound level of 7 sones on high
- Features quick-release dishwasher safe aluminum mesh filter
- Includes two 2.8W bright LED lights
- Installation and care instructions included
- Liner not included

Range Hood Blower
400 CFM Vented

NEW! PRODUCT

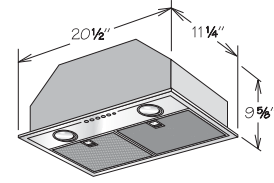


RHVENT 400

- Designed for vented installation where exhaust is vented to exterior of home
- Stainless steel finish
- Energy Star rated
- Features 3-speed rotary switch
- Requires vertical 6" round or rectangular 3 1/4" x 10" duct for venting to exterior (not included)
- Fan provides 400 CFM on high with rectangular duct or 390 CFM on high with round duct
- Sound level of 6 sones on high
- Features quick-release dishwasher safe aluminum mesh filter
- Includes two 2.8W bright LED lights
- Unit has master on-off switch and heat sentry will automatically turn unit on when excessive heat is detected
- Installation and care instructions included
- Liner not included

Range Hood Blower
600 CFM Vented

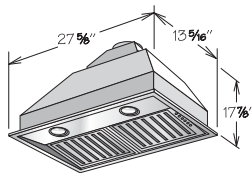
NEW! PRODUCT



RHVENT 600

- Designed for vented installation where exhaust is vented to exterior of home
- Stainless steel finish
- Features 4-speed back-lit Electronic Soft Touch controls
- Requires 8" round, or 6" round or 3 1/4" x 10" venting to exterior (not included)
- Fan provides 600 CFM on high with round duct or 580 CFM on high with rectangular duct
- Sound level of 9.5 sones on high
- Features quick-release dishwasher safe baffle-style filter with clean filter reminder
- Includes two 3W bright LED lights with 3 lighting levels
- Unit has master on-off switch and heat sentry will automatically turn unit on when excessive heat is detected
- Auto-Sensing option sets CFM to correct level automatically
- Wifi enabled option allows for voice control
- Installation and care instructions included
- Liner not included

Range Hood Blower
960 CFM - Vented

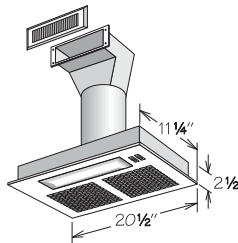


RHVENT 960

- Designed for vented installation where exhaust is vented to exterior of home
- Durable stainless steel with brushed finish
- Requires 7" round duct for venting to exterior (not included)
- Features a 4-speed push-button control to offer greater CFM flexibility; 960 CFM, 660 CFM, 480 CFM and 300 CFM
- Centrifugal blower provides 960 CFM air delivery and sound level of 5.1 sones on high
- Includes two 4-watt 12V MR16 LED bulbs - Daylight
- Features quick-release dishwasher safe baffle-style filter
- Stainless baffle filters are easily removed for cleaning (dishwasher safe)
- 10 minute delay off timer
- Installation and care instructions included
- Not designed for use with WRH___CT, WRH___DM, WRH___RP or WRH___SV
- Liner not included

Range Hood Blower
260 CFM Recirculating

NEW! PRODUCT

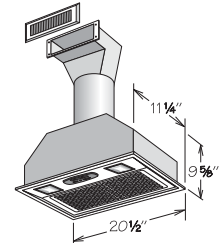


RHVENT 260R

- Designed for recirculating installation where exhaust is vented back into kitchen
- Includes duct work, metal grille and clips -- field assembly required
- Stainless steel finish
- 2-speed fan provides 260 CFM on high
- Sound level of 7 sones on high
- Features quick-release dishwasher safe aluminum mesh filter
- Includes two 2.8W bright LED lights
- Metal grille measures 11 1/4" x 5 5/16"
- 10" x 3" cutout required for metal grille
- Installation and care instructions included
- Liner not included

Range Hood Blower
400 CFM Recirculating

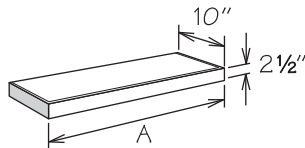
NEW! PRODUCT



RHVENT 400R

- Designed for recirculating installation where exhaust is vented back into kitchen
- Includes duct work, metal grille and clips -- field assembly required
- Stainless steel finish
- Energy Star rated
- Features 3-speed rotary switch
- Fan provides 400 CFM on high
- Sound level of 6 sones on high
- Features quick-release dishwasher safe aluminum mesh filter
- Includes two 2.8W bright LED lights
- Unit has master on-off switch and heat sentry will automatically turn unit on when excessive heat is detected
- Metal grille measures 11 1/4" x 5 5/16"
- 10" x 3" cutout required for metal grille
- Installation and care instructions included
- Liner not included

Floating Shelf



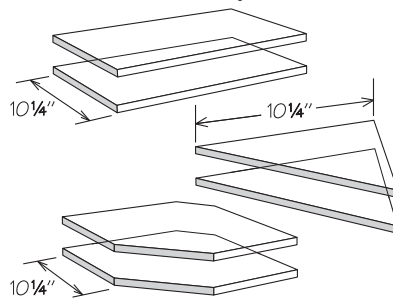
| SKU | A | Max. Load |
|----------|-----|-----------|
| FLSH2410 | 24" | 30 lbs. |
| FLSH3010 | 30" | 37 lbs. |
| FLSH3610 | 36" | 45 lbs. |
| FLSH4210 | 42" | 52 lbs. |
| FLSH4810 | 48" | 60 lbs. |

- FLSH2410
- FLSH3010
- FLSH3610
- FLSH4210
- FLSH4810

- Not trimmable
- Features veneered engineered wood top and bottom and solid wood front and sides
- Finished on all sides to match cabinet box exterior
- When installed between two cabinets, Furniture Ends (FE) is recommended for adjacent cabinets
- Must be secured to studs in wall
- Installation instructions, mounting brackets and screws included

Glass Shelf Kit

12" Deep

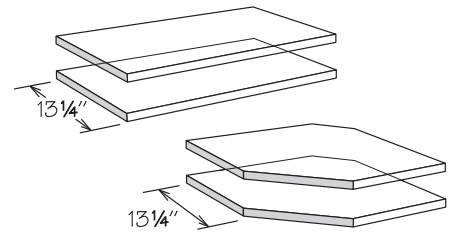


- GSK12
- GSK15
- GSK18
- GSK21
- GSK24
- GSK27
- GSK30
- GSK33
- GSK36
- GSKCW24
- GSKWEA12

- For use in 12" deep wall cabinets
- Glass Shelf Kit includes two 1/4" high-strength tempered glass shelves
- Kit does not include shelf rests
- Refer to individual SKU box for number of shelves required and/or available
- Tempered glass cannot be field trimmed
- Glass Shelf Kits 12" - 24" wide have a 15 lb. per square foot load rating
- Glass Shelf Kits 27" - 36" wide have a 5 lb. per square foot load rating

Glass Shelf Kit

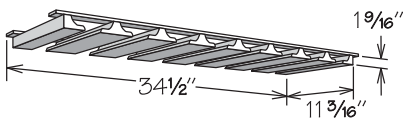
15" Deep



- GSK12-15
- GSK15-15
- GSK18-15
- GSK21-15
- GSK24-15
- GSK27-15
- GSK30-15
- GSK33-15
- GSK36-15
- GSKCW27

- For use in wall cabinets increased to 15" deep
- Glass Shelf Kit includes two 1/4" high-strength tempered glass shelves
- Can be used with existing shelf rests or order SHELF REST MFD PK separately
- Refer to individual SKU box for number of shelves required and/or available
- Tempered glass cannot be field trimmed
- Glass Shelf Kits 12" - 24" wide have a 15 lb. per square foot load rating
- Glass Shelf Kits 27" - 36" wide have a 5 lb. per square foot load rating

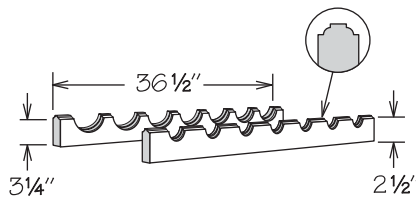
Stem Glass Holder



- SGH36U

- For installation below 36" wide wall cabinet
- Field trimmable for installation below 30", 24" or 18" wide wall cabinets
- Features solid wood finished to match cabinet box exterior
- Maximum stem glass base is 3/2" in diameter
- Not sized to fit modified depth cabinets

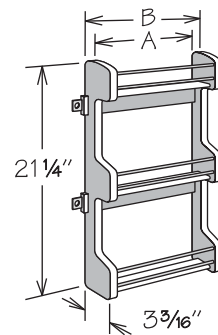
Wine Rack



- WR36

- Accommodates seven bottles
- Field trimmable to 30" (six bottles) or 24" (five bottles)
- Features solid wood finished to match cabinet box exterior

Spice Rack Kit

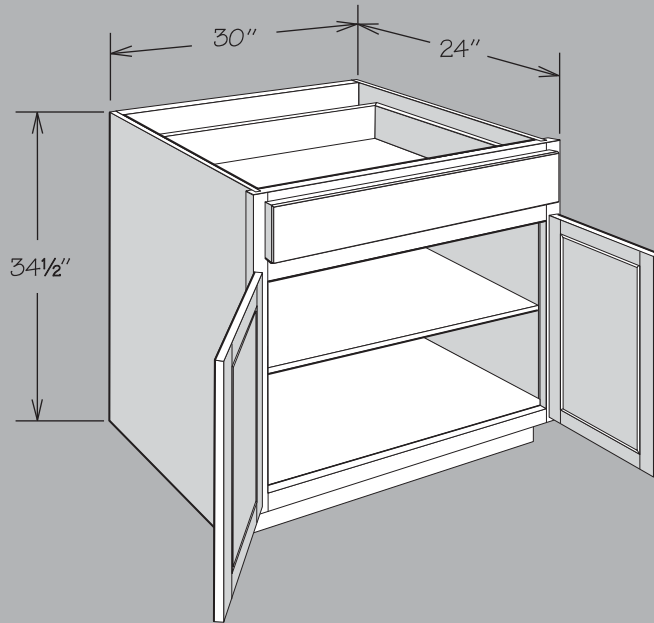


| | A | B |
|-------|---------|---------|
| SRK15 | 9 1/2" | 10 1/2" |
| SRK18 | 12 1/2" | 13 1/2" |
| SRK21 | 15 1/2" | 16 1/2" |

- SRK15
- SRK18
- SRK21

- Field installation accessory
- Kit features natural finish solid wood with chrome rails and three fixed shelves
- Position cabinet adjustable shelves prior to installation
- For wall cabinets 30" or higher
- SRK15 mounts to 15" or 16" wide door
- SRK18 mounts to 18" or 19" wide door
- SRK21 mounts to 21" wide door

Base Cabinets



Dimensions

| Width | Height | Depth |
|-----------|--------|--|
| 6" to 48" | 34½" | 24" (Reduced Depth optional on select cabinets) |

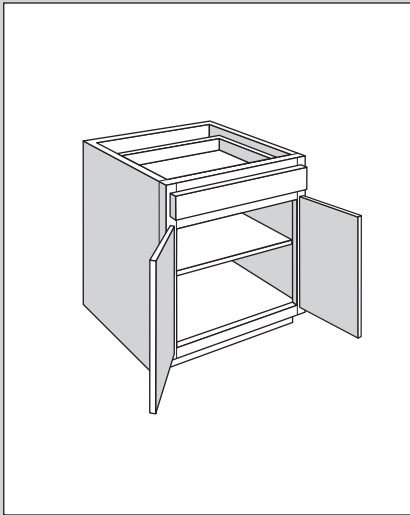
SKU Coding

| B | 30 | BUTT |
|--------------------------------|-----------------|--------------|
| Cabinet Type (e.g., B=Base) | Width in Inches | Cabinet Type |

Construction Options & Modifications

- APC**..... All Plywood Construction
- CFO**..... Cabinet Front Only
- FE**..... Furniture Ends
- IF**..... Inverted Frame
- PE**..... Plywood Ends
- RD**..... Reduced Depth
- RTK**..... Recessed Toe Kick
- VTD**..... Void Top Drawer

Standard Base Cabinets

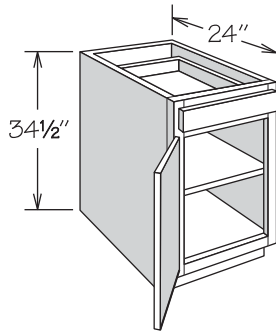


Standard Base cabinets are 34½" high by 24" deep and range from 12" to 48" wide.

Single door Standard Base cabinets are hinged left and can be reversed in the field.

Inset Toe Kick construction requires BTK8 matching toe kick - must be ordered separately.

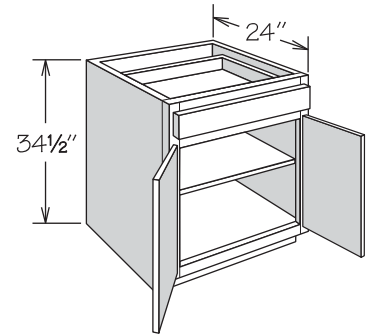
Base Cabinet
1 Door, 1 Drawer



| | |
|-----|-----|
| B12 | APC |
| B15 | CFO |
| B18 | FE |
| B21 | IF |
| B24 | PE |
| | RD |
| | RTK |

- Full-depth adjustable shelf

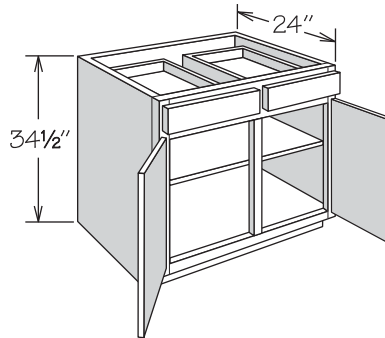
Base Cabinet
2 Butt Doors, 1 Drawer



| | |
|--------------|-----|
| B24 BUTT | APC |
| B27 BUTT | CFO |
| B30 BUTT | FE |
| B33 BUTT | IF |
| B36 1TD BUTT | PE |
| | RD |
| | RTK |

- Full-depth adjustable shelf
- Center support for shelf provided for cabinets 27" or wider

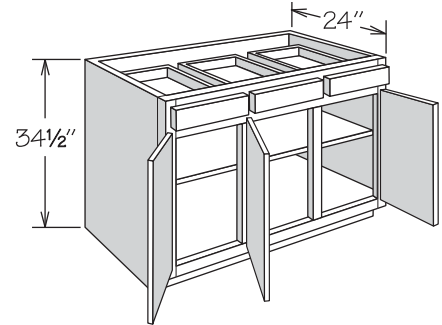
Base Cabinet
2 Doors, 2 Drawers



| | |
|-----|-----|
| B36 | APC |
| B39 | CFO |
| B42 | FE |
| B48 | IF |
| | PE |
| | RD |
| | RTK |

- Full-depth adjustable shelf
- Center support for shelf provided

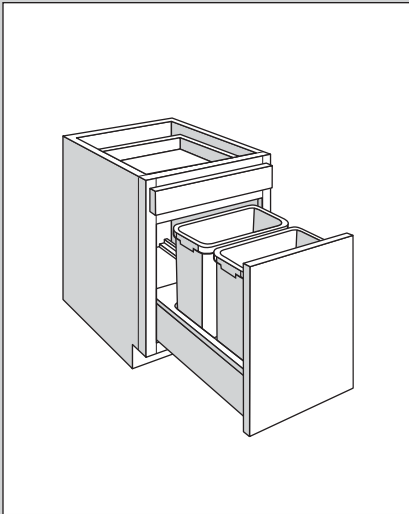
Base Cabinet
3 Doors, 3 Drawers



| | |
|-----|-----|
| B45 | APC |
| | CFO |
| | FE |
| | IF |
| | PE |
| | RD |
| | RTK |

- Full-depth adjustable shelf
- Center support for shelf provided
- Hinged as shown - center door can be reversed in the field
- Shelf must be installed through top of cabinet and cannot be removed through door opening

Base Cabinets with Accessories

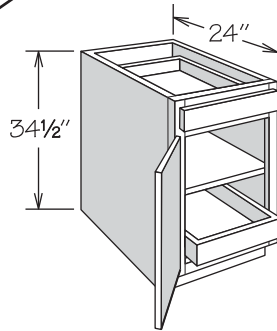


Base cabinets with accessories are 34½" high by 24" deep and range from 12" to 48" wide.

Single door Base cabinets with accessories are hinged left and can be reversed in the field.

Inset Toe Kick construction requires BTK8 matching toe kick - must be ordered separately.

Base Cabinet
1 Door, 1 Drawer
1 Deep Roll Out Tray

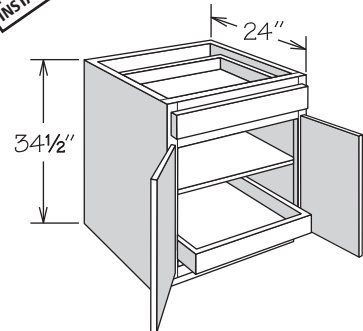


B12 FWT
B15 FWT
B18 FWT
B21 FWT
B24 FWT

| |
|-----|
| APC |
| FE |
| PE |
| RD |
| RTK |
| VTD |

- Deep Roll Out Tray (DROT) on floor
- Full-depth adjustable shelf in center position
- Deep Roll Out Tray is not adjustable

Base Cabinet
2 Butt Doors, 1 Drawer
1 Deep Roll Out Tray

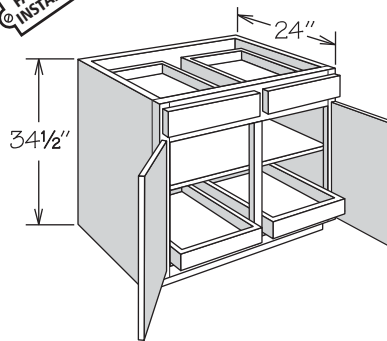


B24 FWT BUTT
B27 FWT BUTT
B30 FWT BUTT
B33 FWT BUTT
B36 1TD FWT BUTT

| |
|-----|
| APC |
| FE |
| PE |
| RD |
| RTK |
| VTD |

- Deep Roll Out Tray (DROT) on floor
- Full-depth adjustable shelf in center position
- Center support for shelf provided for cabinets 27" or wider
- Deep Roll Out Tray is not adjustable

Base Cabinet
2 Doors, 2 Drawers
2 Deep Roll Out Trays

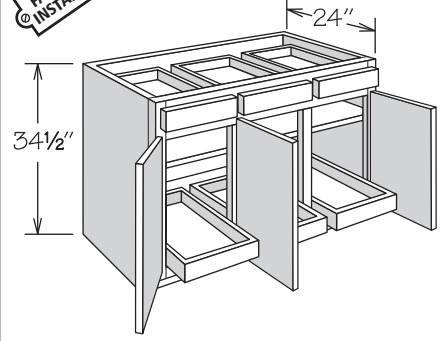


B36 2T
B39 2T
B42 2T
B48 2T

| |
|-----|
| APC |
| FE |
| PE |
| RD |
| RTK |
| VTD |

- Deep Roll Out Tray (DROT) on floor in each door opening
- Full-depth adjustable shelf in center position
- Center support for shelf provided
- Deep Roll Out Trays are not adjustable

Base Cabinet
3 Doors, 3 Drawers
3 Deep Roll Out Trays



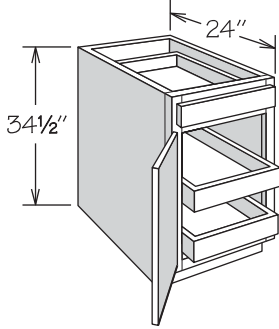
B45 3T

| |
|-----|
| APC |
| FE |
| PE |
| RD |
| RTK |
| VTD |

- Deep Roll Out Tray (DROT) on floor in each door opening
- Full-depth adjustable shelf in center position
- Center support for shelf provided
- Deep Roll Out Trays are not adjustable
- Hinged as shown - center door can be reversed in the field
- Shelf must be installed through top of cabinet and cannot be removed through door opening

Base Cabinet

1 Door, 1 Drawer
2 Deep Roll Out Trays



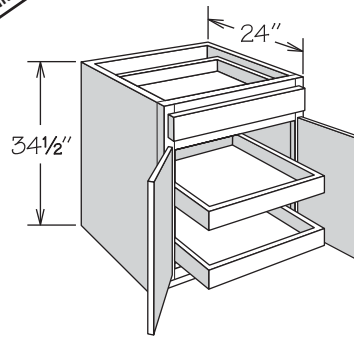
B12 2FWT
B15 2FWT
B18 2FWT
B21 2FWT
B24 2FWT

| |
|-----|
| APC |
| FE |
| PE |
| RD |
| RTK |
| VTD |

- Two Deep Roll Out Trays (DROT)
- Deep Roll Out Trays are not adjustable

Base Cabinet

2 Butt Doors, 1 Drawer
2 Deep Roll Out Trays



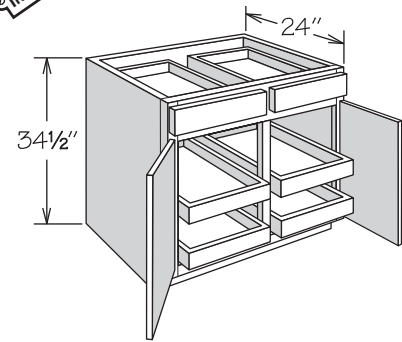
B24 2FWT BUTT
B27 2FWT BUTT
B30 2FWT BUTT
B33 2FWT BUTT
B36 1TD 2FWT BUTT

| |
|-----|
| APC |
| FE |
| PE |
| RD |
| RTK |
| VTD |

- Two Deep Roll Out Trays (DROT)
- Deep Roll Out Trays are not adjustable

Base Cabinet

2 Doors, 2 Drawers
4 Deep Roll Out Trays



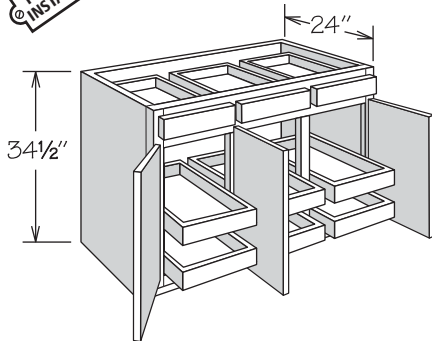
B36 4T
B39 4T
B42 4T
B48 4T

| |
|-----|
| APC |
| FE |
| PE |
| RD |
| RTK |
| VTD |

- Two Deep Roll Out Trays (DROT) in each door opening
- Deep Roll Out Trays are not adjustable

Base Cabinet

3 Doors, 3 Drawers
6 Deep Roll Out Trays



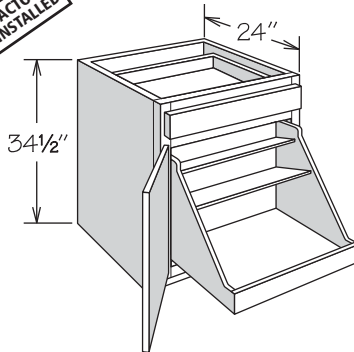
B45 6T

| |
|-----|
| APC |
| FE |
| PE |
| RD |
| RTK |
| VTD |

- Two Deep Roll Out Trays (DROT) in each door opening
- Deep Roll Out Trays are not adjustable
- Hinged as shown - center door can be reversed in the field

Base Pot & Pan Organizer Cabinet

1 Door, 1 Drawer



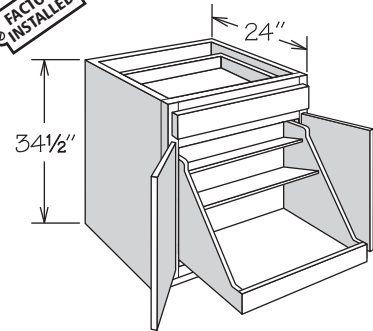
B24 BPP0

| |
|-----|
| APC |
| FE |
| IF |
| PE |
| RTK |
| VTD |

- Organizer in natural finish solid wood and wood veneer with engineered wood bottom
- Front of organizer features dovetail construction
- Top shelf measures 6 3/8" deep
- Middle shelf measures 9 3/4" deep

Base Pot & Pan Organizer Cabinet

2 Butt Doors, 1 Drawer

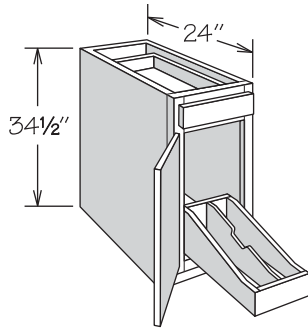


B24 BUTT BPP0
B27 BUTT BPP0
B30 BUTT BPP0
B33 BUTT BPP0
B36 1TD BUTT BPP0

| |
|-----|
| APC |
| FE |
| IF |
| PE |
| RTK |
| VTD |

- Organizer in natural finish solid wood and wood veneer with engineered wood bottom
- Front of organizer features dovetail construction
- Top shelf measures 6 3/8" deep
- Middle shelf measures 9 3/4" deep

Base Cabinet
With Factory Installed
Roll Out Tray Divider

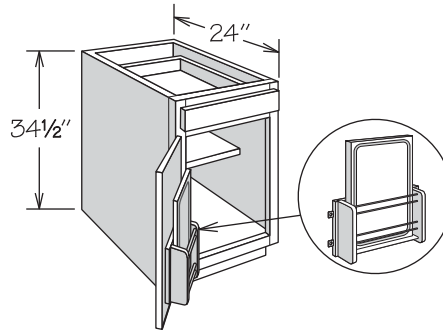


B12 ROTD
B15 ROTD

| |
|-----|
| APC |
| FE |
| PE |
| RTK |

- Roll Out Tray Divider in natural finish solid wood and wood veneer construction
- No shelf
- B12 ROTD features two compartments (one partition)
- B15 ROTD features three compartments (two partitions)
- Partition(s) are field installed

Base Cabinet
1 Door, 1 Drawer
With Cutting Board Door Rack Kit

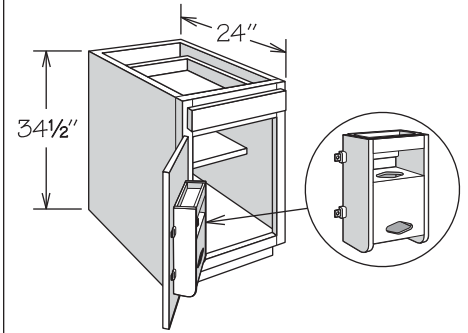


B18 CBDR

| |
|-----|
| APC |
| FE |
| PE |
| RTK |

- Cutting Board Door Rack Kit packaged separately for field installation
- Kit in natural finish solid wood features chrome rails
- Full-depth adjustable shelf must be field trimmed to half-depth
- Cannot be used with Deep Roll Out Trays
- Solid wood cutting board is NOT dishwasher safe
- Cutting board measures 15 1/8" x 10 3/8" x 1 3/8"

Base Cabinet
1 Door, 1 Drawer
With Plastic Bag Door Storage Kit

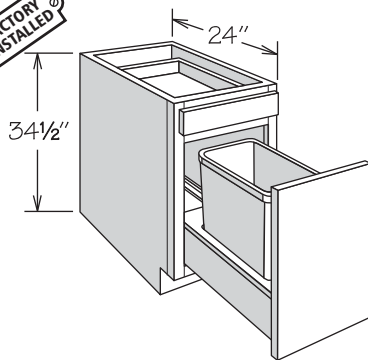


B15 PBDSU
B18 PBDSU

| |
|-----|
| APC |
| FE |
| PE |
| RTK |

- Plastic Bag Door Storage Unit packaged separately for field installation
- Unit in natural finish solid wood and wood veneer
- Full-depth adjustable shelf must be field trimmed to half-depth
- Cannot be used with Deep Roll Out Trays
- Removable white plastic tray is NOT dishwasher safe

Base Cabinet
1 Door, 1 Drawer
1 Bottom Mount Wastebasket

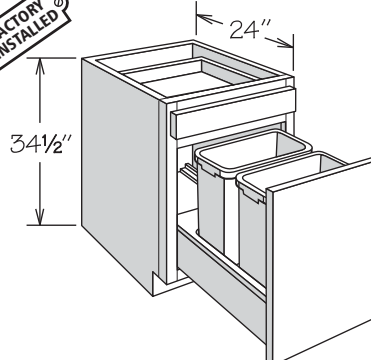


BWBB15

| |
|-----|
| APC |
| FE |
| IF |
| PE |
| RTK |

- Features one silver plastic 35-quart capacity bin
- Wastebasket rests in a natural finish wood frame
- Features heavy-duty 132-pound rated glides
- Decorative hardware strongly recommended

Base Cabinet
1 Door, 1 Drawer
2 Bottom Mount Wastebaskets

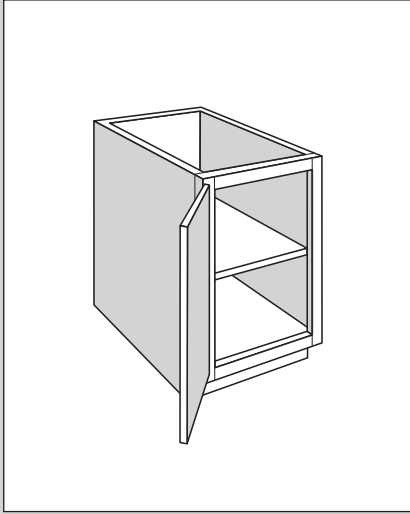


BWBB15-2
BWBB18-2
BWBB21-2

| |
|-----|
| APC |
| FE |
| IF |
| PE |
| RTK |

- Features two silver plastic bins:
 - BWBB15-2 is 27-quart capacity
 - BWBB18-2 and BWBB21-2 are 35-quart capacity
- Wastebaskets rest in a natural finish wood frame
- Features heavy-duty 132-pound rated glides
- Decorative hardware strongly recommended

Full-Height Base Cabinets

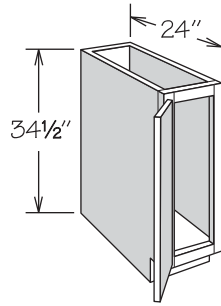


Full-Height Base Cabinets are 34½" high by 24" deep and range from 9" to 36" wide.

Single door Full-Height Base cabinets are hinged left and can be reversed in the field.

Inset Toe Kick construction requires BTK8 matching toe kick - must be ordered separately.

Full-Height Base Cabinet
1 Door, No Shelf



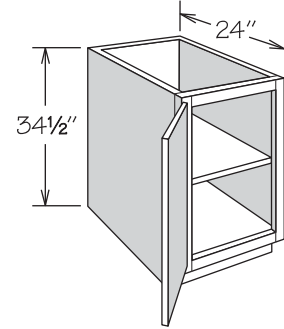
TB9

- APC
- CFO
- FE
- PE
- RD
- RTK

- No shelf
- Full-height door
- For vertical tray storage
- Order S924 adjustable shelf separately
- Not available with Recessed Toe Kick Both (RTKB) Option

Full-Height Base Cabinet
1 Door, 1 Adjustable Shelf

NEW! **SIZE**



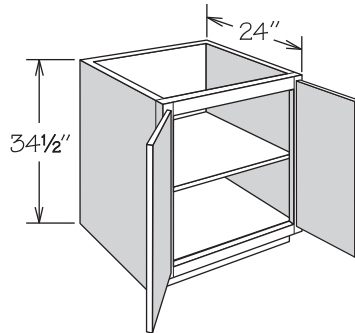
B12 FH
B15 FH
B18 FH
B21 FH
B24 FH

- APC
- CFO
- FE
- PE
- RD
- RTK

- Full-depth adjustable shelf
- Full-height door

Full-Height Base Cabinet
2 Butt Doors, 1 Adjustable Shelf

NEW! **SIZES**

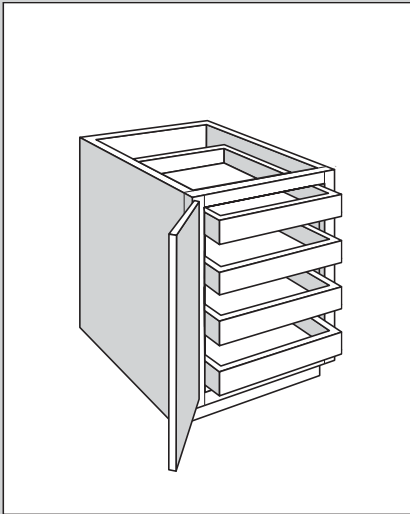


B24 BUTT FH
B27 BUTT FH
B30 BUTT FH
B33 BUTT FH
B36 BUTT FH

- APC
- CFO
- FE
- PE
- RD
- RTK

- Full-depth adjustable shelf
- Center support for shelf provided for cabinets 27" or wider
- Full-height doors

Full-Height Base Cabinets with Accessories

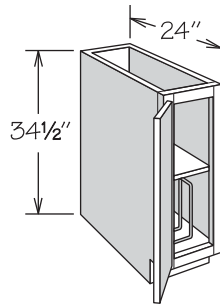


Full-Height Base cabinets with accessories are 34½" high by 24" deep and range from 9" to 30" wide.

Single door Full-Height Base cabinets are hinged left and can be reversed in the field.

Inset Toe Kick construction requires BTK8 matching toe kick - must be ordered separately.

**Full-Height Base Cabinet
1 Door with
Tray Divider and Shelf**

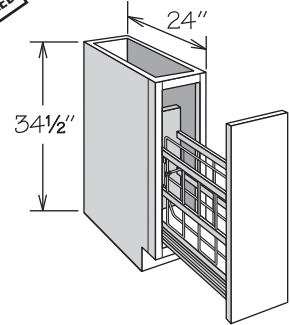


TB9 TDS

| |
|-----|
| APC |
| FE |
| PE |
| RD |
| RTK |

- Full-height door
- Full-depth adjustable shelf
- TD3 Cabinet Tray Divider packaged separately for field installation
- Only available with RD-23 through RD-14
- Not available with Recessed Toe Kick Both (RTKB) Option

Base Tray Divider Pull Out

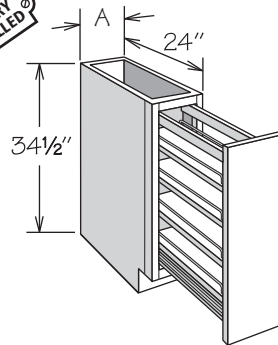


BTDP9

| |
|-----|
| APC |
| FE |
| PE |
| RTK |

- Full-height door
- One fixed bottom shelf in natural finish with an adjustable chrome tray divider
- One adjustable chrome T-Bar included for storage customization
- Decorative hardware strongly recommended
- Not available with Recessed Toe Kick Both (RTKB) Option

Base Pantry Pull Out



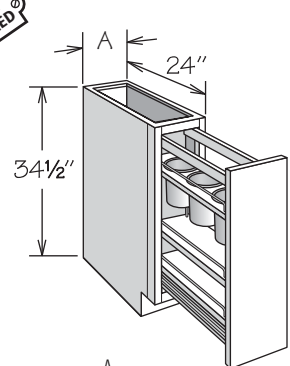
| | |
|-------|-----|
| A | |
| BPP9 | 9" |
| BPP12 | 12" |

BPP9
BPP12

| |
|-----|
| APC |
| FE |
| PE |
| RTK |

- Full-height door
- One fixed bottom and three adjustable shelves in natural finish with chrome rails
- Decorative hardware strongly recommended
- BPP9 not available with Recessed Toe Kick Both (RTKB) Option

**Base Pantry Pull Out
Utensil Storage**



| | |
|---------|-----|
| A | |
| BPPUS9 | 9" |
| BPPUS12 | 12" |

BPPUS9
BPPUS12

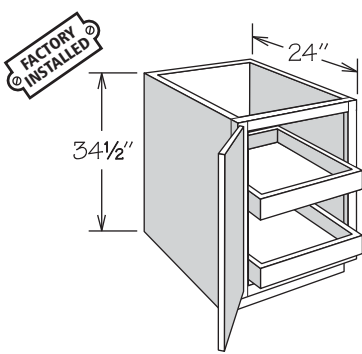
| |
|-----|
| APC |
| FE |
| PE |
| RTK |

- Full-height door
- One fixed bottom and one adjustable lower shelf in natural finish with chrome rails
- One fixed upper shelf in natural finish with chrome rails and three stainless steel removable storage bins
- Stainless steel bins measure 5¼" wide by 6¾" deep
- Decorative hardware strongly recommended
- BPPUS9 not available with Recessed Toe Kick Both (RTKB) Option

Full-Height Base Cabinet

1 Door, 2 Deep Roll Out Trays

NEW! SIZES



B12 FH 2FWT
B15 FH 2FWT
B18 FH 2FWT
B21 FH 2FWT
B24 FH 2FWT

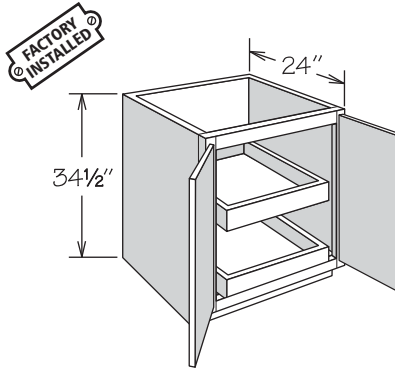
| |
|-----|
| APC |
| FE |
| PE |
| RD |
| RTK |

- Full-height door
- Two Deep Roll Out Trays (DROT)

Full-Height Base Cabinet

2 Butt Doors, 2 Deep Roll Out Trays

NEW! SIZES



B24 BUTT FH 2FWT
B27 BUTT FH 2FWT
B30 BUTT FH 2FWT
B33 BUTT FH 2FWT
B36 BUTT FH 2FWT

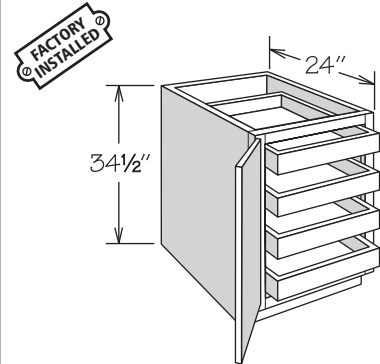
| |
|-----|
| APC |
| FE |
| PE |
| RD |
| RTK |

- Full-height doors
- Two Deep Roll Out Trays (DROT)

Full-Height Base Cabinet

1 Door, 4 Deep Roll Out Trays

NEW! SIZES



B12 FH 4FWT
B15 FH 4FWT
B18 FH 4FWT
B21 FH 4FWT
B24 FH 4FWT

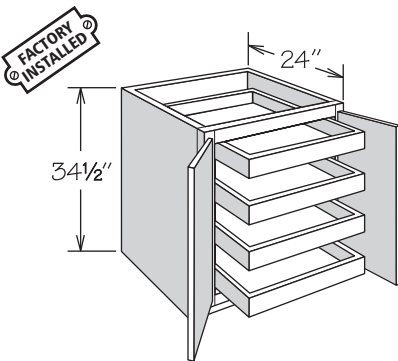
| |
|-----|
| APC |
| FE |
| PE |
| RD |
| RTK |

- Full-height door
- Four Deep Roll Out Trays (DROT)

Full-Height Base Cabinet

2 Butt Doors, 4 Deep Roll Out Trays

NEW! SIZES



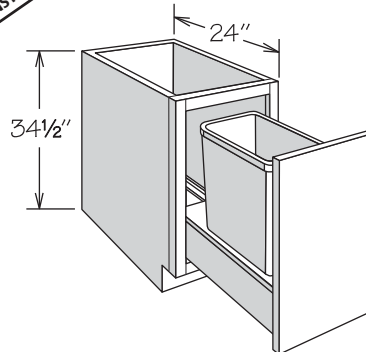
B24 BUTT FH 4FWT
B27 BUTT FH 4FWT
B30 BUTT FH 4FWT
B33 BUTT FH 4FWT
B36 BUTT FH 4FWT

| |
|-----|
| APC |
| FE |
| PE |
| RD |
| RTK |

- Full-height doors
- Four Deep Roll Out Trays (DROT)

Full-Height Base Cabinet

1 Bottom Mount Wastebasket



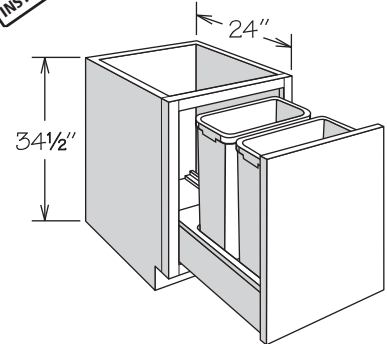
BWBB15 FH
BWBB18 FH

| |
|-----|
| APC |
| FE |
| PE |
| RTK |

- Full-height door
- Features one silver plastic 50-quart capacity bin
- Wastebasket rests in a natural finish wood frame
- Features heavy-duty 132-pound rated glides
- Decorative hardware strongly recommended

Full-Height Base Cabinet

2 Bottom Mount Wastebaskets

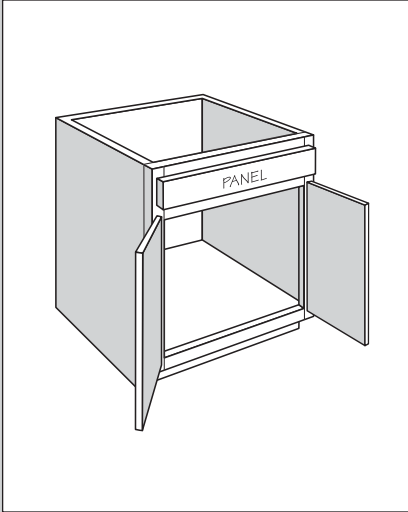


BWBB21-2 FH

| |
|-----|
| APC |
| FE |
| PE |
| RTK |

- Full-height door
- Features two silver plastic 50-quart capacity bins
- Wastebaskets rest in a natural finish wood frame
- Features heavy-duty 132-pound rated glides
- Decorative hardware strongly recommended

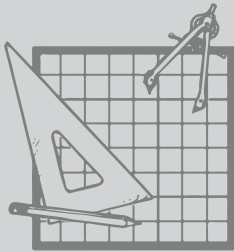
Sink/Cooktop Base Cabinets



Sink/Cooktop Base cabinets are 34½" high x 24" deep and range from 18" to 48" wide.

Single door Sink/Cooktop Base cabinets are hinged left and can be reversed in the field.

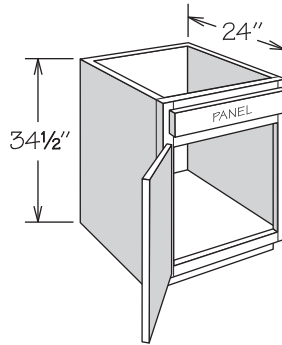
Inset Toe Kick construction requires BTK8 matching toe kick - must be ordered separately.



When placing a Sink/Cooktop Base cabinet in a design, select a cabinet at least 3" wider than the sink or cooktop to allow for installation clips. Review manufacturer's specifications for dimensions and adequate clearance requirements.

If a Corner Sink Base cabinet or front is selected, remember to place the dishwasher a minimum of 15" from the cabinet to allow for adequate standing space and proper appliance door operation.

**Sink/Cooktop Base
1 Door, 1 Panel**

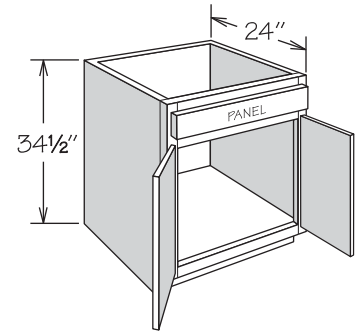


SB18
SB21
SB24

| |
|-----|
| APC |
| FE |
| PE |
| RD |
| RTK |

- No shelf
- Full-height back
- Subtract 1½" from width and depth for available opening - removal of corner blocks may be required
- Refer to sink or appliance manufacturer's specifications for adequate clearance and required installation materials

**Sink/Cooktop Base
2 Butt Doors, 1 Panel**

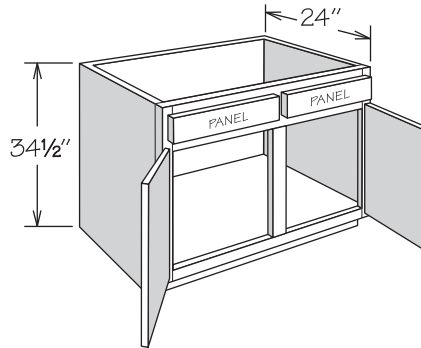


SB24 BUTT
SB27 BUTT
SB30 BUTT
SB33 BUTT
SB36 BUTT

| |
|-----|
| APC |
| FE |
| PE |
| RD |
| RTK |

- No shelf
- Full-height back
- Subtract 1½" from width and depth for available opening - removal of corner blocks may be required
- Refer to sink or appliance manufacturer's specifications for adequate clearance and required installation materials

**Sink/Cooktop Base
2 Doors, 2 Panels**

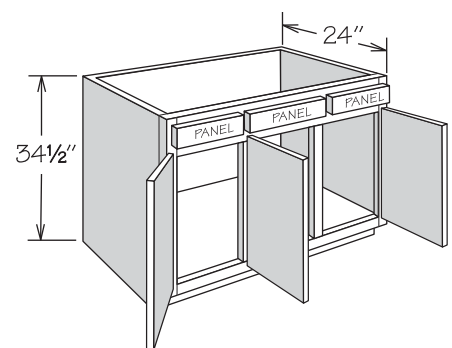


SB39
SB42
SB48

| |
|-----|
| APC |
| FE |
| PE |
| RD |
| RTK |

- No shelf
- Full-height back
- Subtract 1½" from width and depth for available opening - removal of corner blocks may be required
- Refer to sink or appliance manufacturer's specifications for adequate clearance and required installation materials

**Sink/Cooktop Base
3 Doors, 3 Panels**

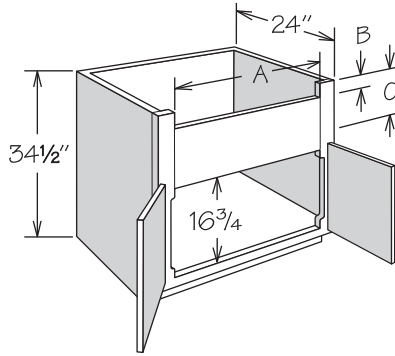


SB45

| |
|-----|
| APC |
| FE |
| PE |
| RD |
| RTK |

- No shelf
- Full-height back
- Subtract 1½" from width and depth for available opening - removal of corner blocks may be required
- Hinged as shown - can be reversed in the field
- Refer to sink or appliance manufacturer's specifications for adequate clearance and required installation materials

Deep Sink/Range Base Cabinet
2 Butt Doors

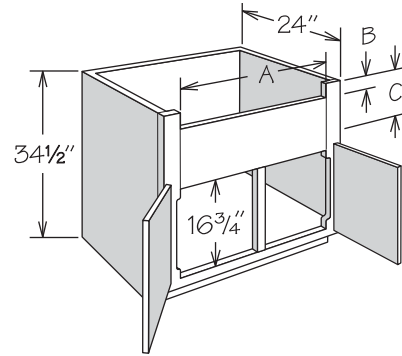


| Cut Out | A | | B | C | |
|------------|---------|------|--------|----------|----------|
| | Min. | Max. | | Max. FOL | Max. POL |
| DSB30 BUTT | 23 3/4" | 28" | 2 7/8" | 10" | 10 1/2" |
| DSB33 BUTT | 26 3/4" | 31" | 2 7/8" | 10" | 10 1/2" |
| DSB36 BUTT | 29 3/4" | 34" | 2 7/8" | 10" | 10 1/2" |

| | |
|------------|-----|
| DSB30 BUTT | APC |
| DSB33 BUTT | FE |
| DSB36 BUTT | PE |
| | RD |
| | RTK |

- Accommodates farm sinks
- Apron stiles are 3 1/8" wide and trimmable
- A cutout exists in the door area where the 3 1/8" stiles are routed to 1 1/8"
- Refer to sink or appliance manufacturer's specifications for adequate clearance and required installation materials

Deep Sink/Range Base Cabinet
2 Doors

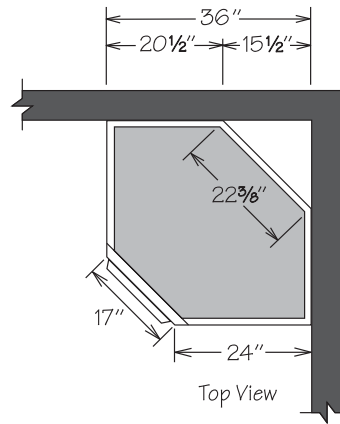
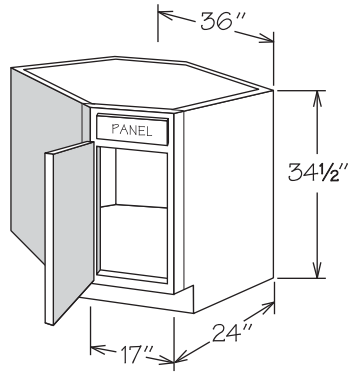


| Cut Out | A | | B | C | |
|---------|---------|------|--------|----------|----------|
| | Min. | Max. | | Max. FOL | Max. POL |
| DSB39 | 32 3/4" | 37" | 2 7/8" | 10" | 10 1/2" |

| | |
|-------|-----|
| DSB39 | APC |
| | FE |
| | PE |
| | RD |
| | RTK |

- Accommodates farm sinks
- Apron stiles are 3 1/8" wide and trimmable
- A cutout exists in the door area where the 3 1/8" stiles are routed to 1 1/8"
- Refer to sink or appliance manufacturer's specifications for adequate clearance and required installation materials

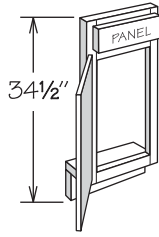
Corner Sink Base



| | |
|-------|-----|
| CSB36 | APC |
| | FE |
| | PE |

- No shelf
- Sides are finished
- Cabinet requires a minimum of 34" to fit through doorway (removal of cabinet door recommended)
- Additional space recommended if appliance is installed on either side of this cabinet for proper appliance door operation
- Cabinet features solid top which must be field cut for sink installation as per manufacturer's specifications
- Maximum sink cut-out width is 22 3/8" if cut-out is 4" back from face of front frame
- Refer to sink manufacturer's specifications for adequate clearance and required installation materials

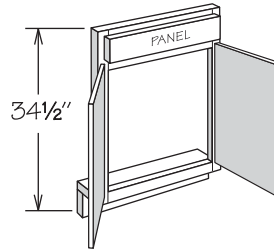
Sink/Cooktop Front
1 Door, 1 Panel



SF12
SF15
SF18
SF21
SF24

- Sink/Cooktop Front not trimmable
- Order floors and returns separately (trimming may be required) – refer to Panel Section for availability

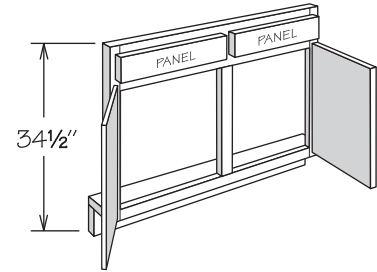
Sink/Cooktop Front
2 Butt Doors, 1 Panel



SF24 BUTT
SF27 BUTT
SF30 BUTT
SF33 BUTT
SF36 BUTT

- Sink/Cooktop Front not trimmable
- Order floors and returns separately (trimming may be required) – refer to Panel Section for availability

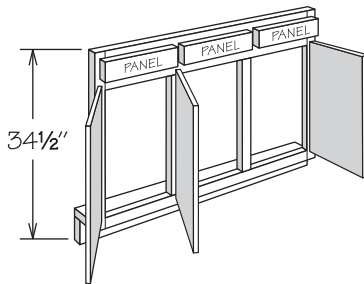
Sink/Cooktop Front
2 Doors, 2 Panels



SF39
SF42
SF48

- Sink/Cooktop Front not trimmable
- Order floors and returns separately (trimming may be required) – refer to Panel Section for availability

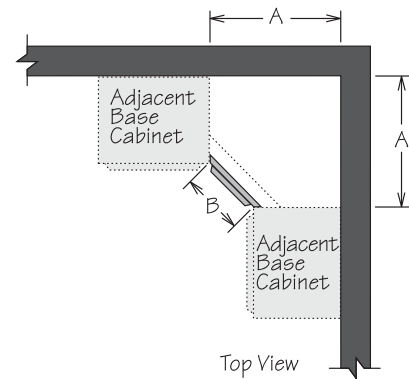
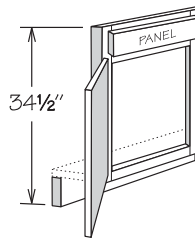
Sink/Cooktop Front
3 Doors, 3 Panels



SF45

- Sink/Cooktop Front not trimmable
- Hinged as shown – can be reversed in the field
- Order floors and returns separately (trimming may be required) – refer to Panel Section for availability

Corner Sink Front

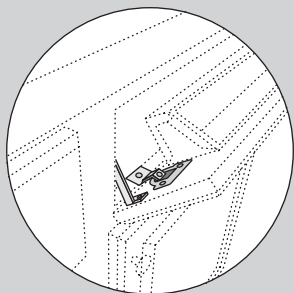
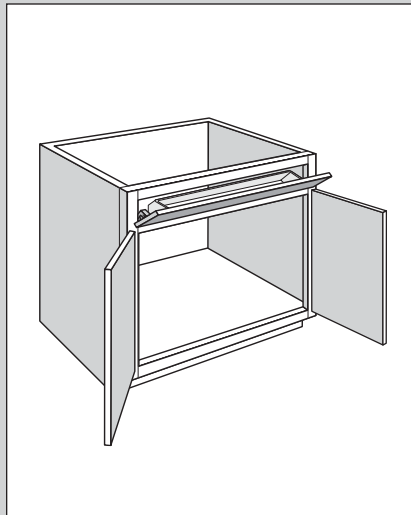


CSF36
CSF42

- Corner Sink Front not trimmable
- Vertical edges of frame are mitered to attach to adjacent cabinet frames
- Toe kick shipped loose
- Order floors and returns separately (trimming may be required) – refer to Panel Section for availability

| | A | B |
|-------|-----------------------------------|-----------------------------------|
| CSF36 | 35 ³ / ₃₂ " | 16 ¹ / ₁₆ " |
| CSF42 | 42 ³ / ₃₂ " | 25 ¹ / ₁₆ " |

Sink Base Cabinets with Factory Installed Accessories



Sink Base cabinets with Factory Installed Accessories feature Tilt-Out Trays with Hidden Hinges.

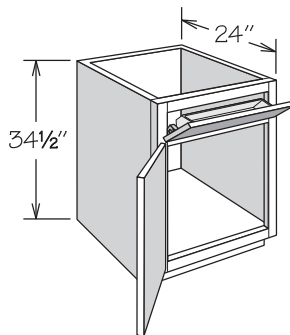
Sink Base cabinets with Factory Installed Accessories are 34½" high by 24" deep and range from 18" to 48" wide.

Single door Sink Base cabinets with Factory Installed Accessories are hinged left and can be reversed in the field.

Inset toe kick construction requires BTK8 matching toe kick - must be ordered separately.



Sink Base 1 Door, 1 Panel with Factory Installed Tilt-Out Tray



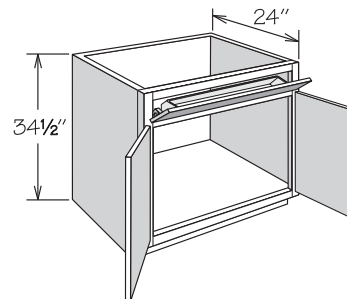
| | | |
|-----------|---------|-----|
| Stainless | Plastic | APC |
| SB18 STO | SB18 TO | FE |
| SB21 STO | SB21 TO | PE |
| SB24 STO | SB24 TO | RD |
| | | RTK |

- No shelf
- Full-height back
- Subtract 1½" from width and 3¾" from depth for available sink bowl opening - removal of corner blocks may be required
- Tilt-Out Trays are NOT dishwasher safe
- Refer to sink manufacturer's specifications for adequate clearance and required installation materials



Sink Base 2 Butt Doors, 1 Panel with Factory Installed Tilt-Out Tray

NEW! **UPDATE**

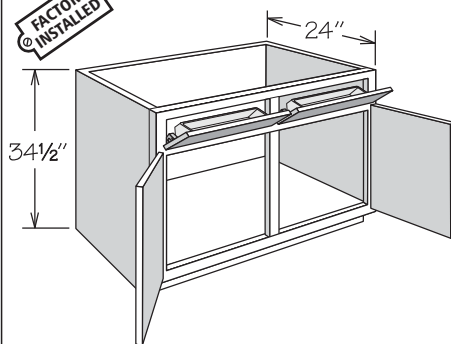


| | | |
|---------------|--------------|-----|
| Stainless | Plastic | APC |
| SB24 BUTT STO | SB24 BUTT TO | FE |
| SB27 BUTT STO | SB27 BUTT TO | PE |
| SB30 BUTT STO | SB30 BUTT TO | RD |
| SB33 BUTT STO | SB33 BUTT TO | RTK |
| SB36 BUTT STO | SB36 BUTT TO | |

- **UPDATE: 33" and 36" sink bases now features one 22" tray**
- No shelf
- Full-height back
- Subtract 1½" from width and 3¾" from depth for available sink bowl opening - removal of corner blocks may be required
- Tilt-Out Trays are NOT dishwasher safe
- Refer to sink manufacturer's specifications for adequate clearance and required installation materials

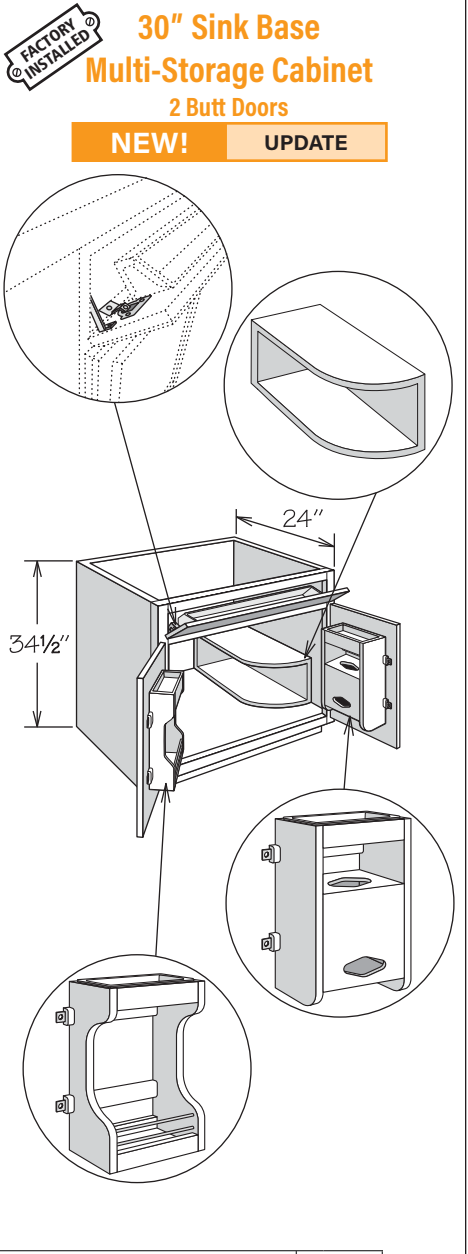


Sink Base 2 Doors, 2 Panels with Factory Installed Tilt-Out Trays



| | | |
|-----------|---------|-----|
| Stainless | Plastic | APC |
| SB39 STO | SB39 TO | FE |
| SB42 STO | SB42 TO | PE |
| SB48 STO | SB48 TO | RD |
| | | RTK |

- No shelf
- Full-height back
- Subtract 1½" from width and 3¾" from depth for available sink bowl opening - removal of corner blocks may be required
- Tilt-Out Trays are NOT dishwasher safe
- Refer to sink manufacturer's specifications for adequate clearance and required installation materials



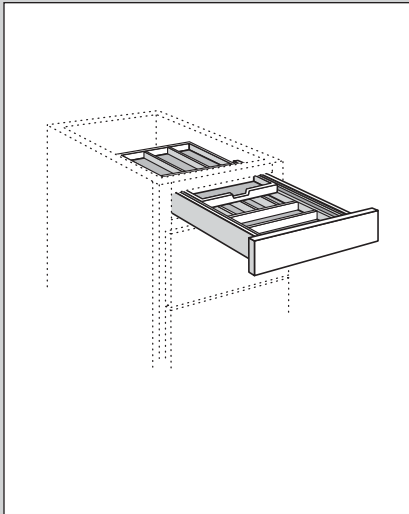
30" Sink Base Multi-Storage Cabinet
2 Butt Doors

NEW! **UPDATE**

| | |
|-----------------|-----|
| SBMS30 BUTT STO | APC |
| SBMS36 BUTT STO | FE |
| | PE |
| | RTK |

- **UPDATE: SBMS36 BUTT STO now features one 22" tray**
- Full-height back
- Features factory-installed Sink Base Door Storage Unit (SBDSU___) on left door, Plastic Bag Door Storage Unit (PBDSU___) on right door and one Stainless Tilt-Out Tray (STO TRAY 22)
- Sink Base Multi-Storage Shelf (SBMSS) shipped separately for field installation left or right
- Sink Base Multi-Storage Shelf measures 8 3/8" wide x 8" high x 17 1/2" deep
- Subtract 1 1/2" from width and 3 3/4" from depth for available sink bowl opening - removal of corner blocks may be required
- Tilt-Out Tray and Door Storage Unit Trays are NOT dishwasher safe
- Refer to sink manufacturer's specifications for adequate clearance and required installation materials

Base Cabinets with Factory Installed Drawer Accessory

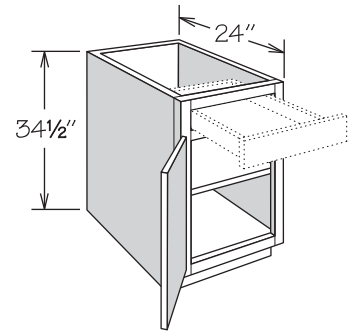


Ordering Base Cabinets with Factory Installed Drawer Accessory:

1. Select a Base cabinet configuration
Example: B15 2FWT (Base cabinet with Two Deep Roll Out Trays)
2. Choose a Factory Installed Base drawer accessory from the list on the following page
Example: Wood Tiered Cutlery Divider (WTCD)
3. Replace the asterisk (*) with the code for the Factory Installed Base drawer accessory to order as a Factory Installed Accessory
Example: B15 2FWT WTCD

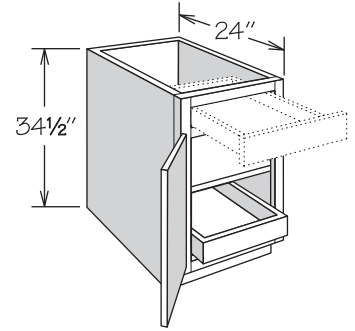
**Base Cabinet
Factory Installed Drawer Accessory**

| | |
|------------|-----|
| B15 * | APC |
| B18 * | FE |
| B21 * | PE |
| B24 * | RTK |
| B24 BUTT * | |



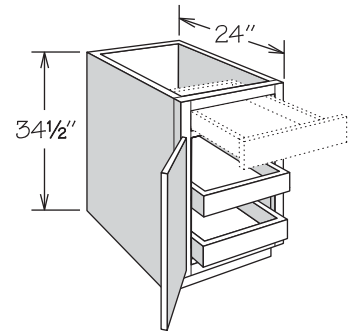
**Base Cabinet
With 1 Deep Roll Out Tray and
Factory Installed Drawer Accessory**

| | |
|----------------|-----|
| B15 FWT * | APC |
| B18 FWT * | FE |
| B21 FWT * | PE |
| B24 FWT * | RTK |
| B24 FWT BUTT * | |



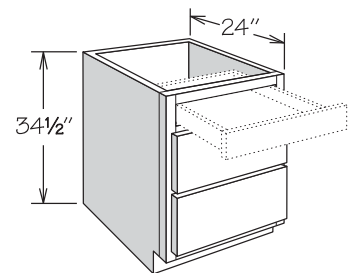
**Base Cabinet
With 2 Deep Roll Out Trays and
Factory Installed Drawer Accessory**

| | |
|-----------------|-----|
| B15 2FWT * | APC |
| B18 2FWT * | FE |
| B21 2FWT * | PE |
| B24 2FWT * | RTK |
| B24 2FWT BUTT * | |



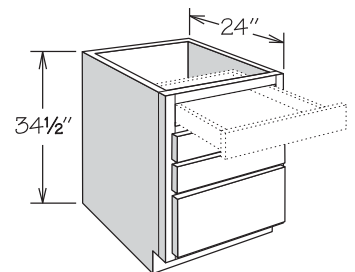
**3 Drawer Base Cabinet
With Factory Installed Drawer Accessory**

| | |
|--------|-----|
| DB15 * | APC |
| DB18 * | FE |
| DB21 * | PE |
| DB24 * | RTK |



**4 Drawer Base Cabinet
With Factory Installed Drawer Accessory**

| | |
|-------------|-----|
| DB15 4DWR * | APC |
| DB18 4DWR * | FE |
| DB21 4DWR * | PE |
| DB24 4DWR * | RTK |

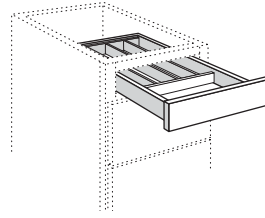


Cutlery Divider ■ CD

Replace * with CD to complete SKU

- Solid hardwood and plywood Cutlery Divider in natural finish

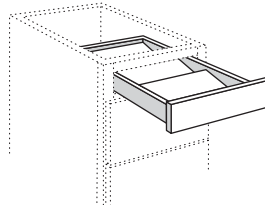
| Width | Sections |
|-------|----------|
| 15" | 3 |
| 18" | 4 |
| 21" | 5 |
| 24" | 5 |



Spice Drawer Insert ■ SDI

Replace * with SDI to complete SKU

- Solid hardwood and plywood Spice Drawer Insert in natural finish
- Accommodates most spice containers (not included)

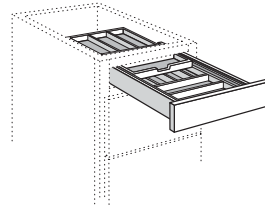


Wood Tiered Cutlery Divider ■ WTCD

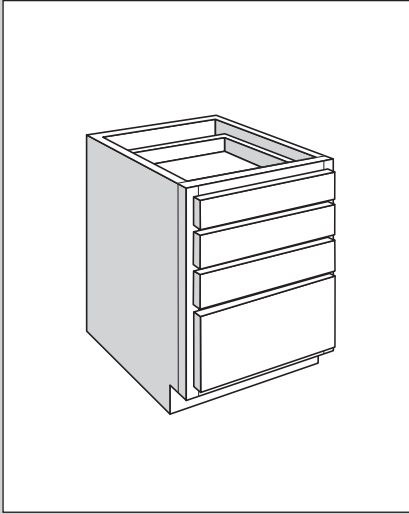
Replace * with WTCD to complete SKU

- Double-tiered cutlery divider slides independently from drawer
- Solid hardwood and plywood double-tiered cutlery divider in natural finish
- Features solid hardwood dovetail drawer in natural finish

| Width | Upper | Lower |
|-------|----------|----------|
| | Sections | Sections |
| 15" | 5 | 5 |
| 18" | 5 | 6 |
| 21" | 6 | 7 |
| 24" | 7 | 7 |

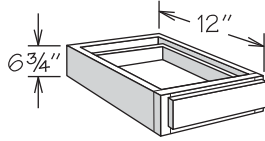


Drawer Base Cabinets



Drawer Base cabinets are 6 3/4" to 34 1/2" high by 12" to 24" deep and range from 12" to 36" wide.
Inset toe kick construction requires BTK8 matching toe kick - must be ordered separately.

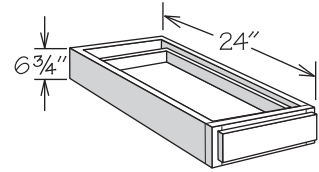
**6" High Furniture
Drawer Cabinet
12" Deep**



| | |
|----------|-----|
| FD121206 | APC |
| FD151206 | CFO |
| FD181206 | FE |
| FD211206 | PE |
| FD241206 | |
| FD271206 | |
| FD301206 | |
| FD331206 | |
| FD361206 | |

- One standard drawer
- No toe kick
- Bottom of cabinet must be fully supported

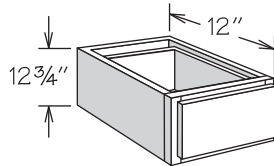
**6" High Furniture
Drawer Cabinet
24" Deep**



| | |
|----------|-----|
| FD122406 | APC |
| FD152406 | CFO |
| FD182406 | FE |
| FD212406 | PE |
| FD242406 | RD |
| FD272406 | |
| FD302406 | |
| FD332406 | |
| FD362406 | |

- One standard drawer
- No toe kick
- Only available with RD-23 through RD-13
- Bottom of cabinet must be fully supported

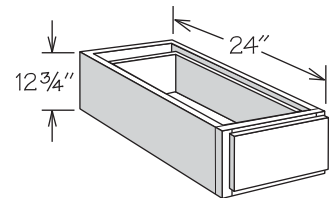
**12" High Furniture
Drawer Cabinet
12" Deep**



| | |
|----------|-----|
| FD121212 | APC |
| FD151212 | CFO |
| FD181212 | FE |
| FD211212 | PE |
| FD241212 | |
| FD271212 | |
| FD301212 | |
| FD331212 | |
| FD361212 | |

- One large drawer
- No toe kick
- Bottom of cabinet must be fully supported

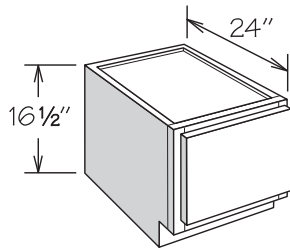
**12" High Furniture
Drawer Cabinet
24" Deep**



| | |
|----------|-----|
| FD122412 | APC |
| FD152412 | CFO |
| FD182412 | FE |
| FD212412 | PE |
| FD242412 | RD |
| FD272412 | |
| FD302412 | |
| FD332412 | |
| FD362412 | |

- One large drawer
- No toe kick
- Only available with RD-23 through RD-13
- Bottom of cabinet must be fully supported

Pedestal Drawer Cabinet

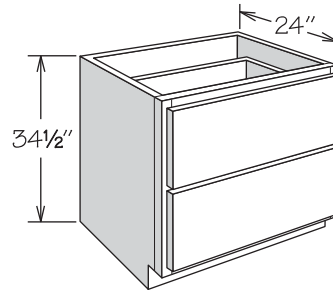


PD1217 1DWR
 PD1517 1DWR
 PD1817 1DWR
 PD2117 1DWR
 PD2417 1DWR
 PD2717 1DWR
 PD3017 1DWR
 PD3317 1DWR
 PD3617 1DWR

| |
|-----|
| APC |
| CFO |
| FE |
| PE |
| RD |
| RTK |

- One large drawer
- Cabinet features a solid top

**Drawer Base Cabinet
2 Drawers**

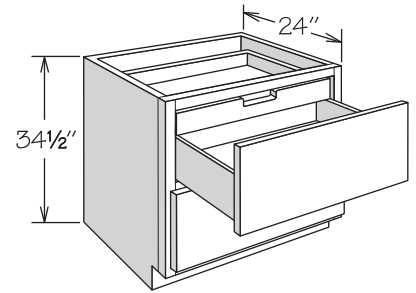


DB30 2DWR
 DB36 2DWR

| |
|-----|
| APC |
| CFO |
| FE |
| PE |
| RD |
| RTK |

- Two large drawers with extra large drawer fronts
- Drawer body measures 6 ¹⁵/₁₆" deep
- Only available with RD-23 through RD-21
- Features Full-Access CushionClose heavy-duty 132-pound rated glides

**Drawer Base Cabinet
2 Drawers,
1 Scalloped Deep Roll Out Tray**

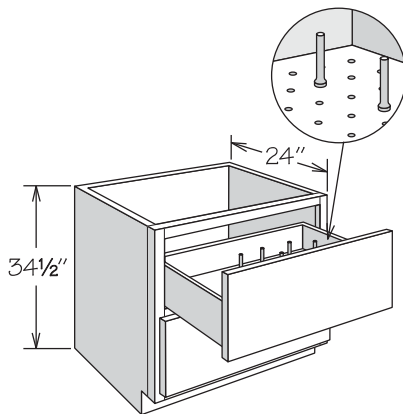


DB30 2DWR SFWT
 DB36 2DWR SFWT

| |
|-----|
| APC |
| FE |
| PE |
| RD |
| RTK |

- Two large drawers with extra large drawer fronts
- Drawer body measures 6 ¹⁵/₁₆" deep
- Only available with RD-23 through RD-21
- Features CushionClose Scalloped Deep Roll Out Tray in top opening
- Drawers feature Full-Access CushionClose heavy-duty 132-pound rated glides

**Drawer Base Cabinet
2 Drawers, 1 Peg Dish Organizer**

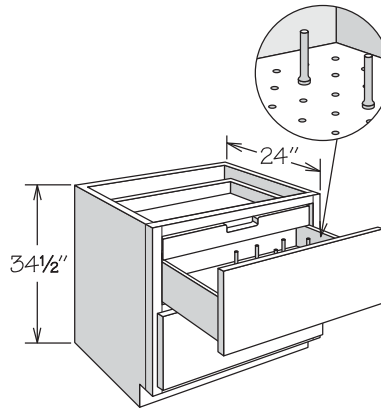


DB30 2DWR PDO
 DB36 2DWR PDO

| |
|-----|
| APC |
| FE |
| PE |
| RTK |

- Two large drawers with extra large drawer fronts
- Drawer body measures 6 ¹⁵/₁₆" deep
- Features Full-Access CushionClose heavy-duty 132-pound rated glides
- One Peg Dish Organizer Kit (organizer and 12 adjustable pegs) in natural finish, packaged separately for field installation
- Additional pegs (PEG KIT 4 PK) and Peg Dish Organizer Kits (PDO_) can be ordered separately

**Drawer Base Cabinet
2 Drawers, 1 Scalloped Deep Roll Out Tray,
1 Peg Dish Organizer**

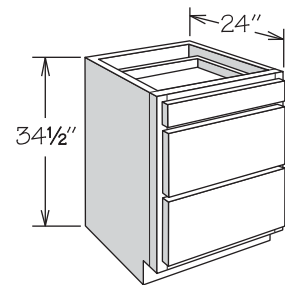


DB30 2DWR SFWT PDO
 DB36 2DWR SFWT PDO

| |
|-----|
| APC |
| FE |
| PE |
| RTK |

- Two large drawers with extra large drawer fronts
- Drawer body measures 6 ¹⁵/₁₆" deep
- Features Full-Access CushionClose heavy-duty 132-pound rated glides
- Features CushionClose Scalloped Deep Roll Out Tray in top opening
- One Peg Dish Organizer Kit (organizer and 12 adjustable pegs) in natural finish, packaged separately for field installation
- Additional pegs (PEG KIT 4 PK) and Peg Dish Organizer Kits (PDO_) can be ordered separately

**Drawer Base Cabinet
3 Drawers**

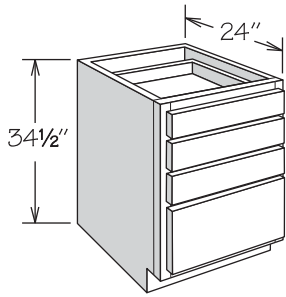


DB12 DB24
 DB15 DB27
 DB18 DB30
 DB21 DB33
 DB36 ITD

| |
|-----|
| APC |
| CFO |
| FE |
| PE |
| RD |
| RTK |
| VTD |

- One standard and two large drawers

Drawer Base Cabinet
4 Drawers

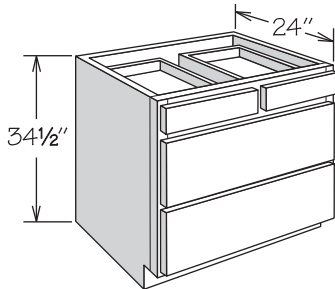


DB12 4DWR
DB15 4DWR
DB18 4DWR
DB21 4DWR
DB24 4DWR

- APC
- CFO
- FE
- PE
- RD
- RTK
- VTD

- One large and three standard drawers

Drawer Base Cabinet
4 Drawers

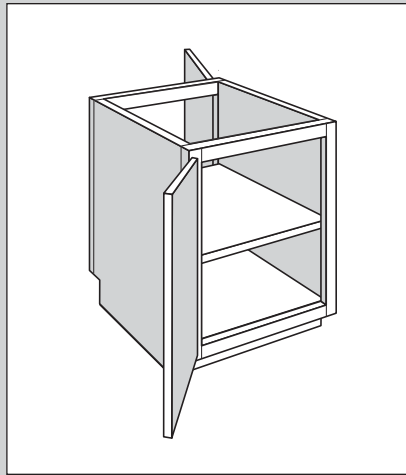


DB36

- APC
- CFO
- FE
- PE
- RD
- RTK
- VTD

- Two standard and two large drawers

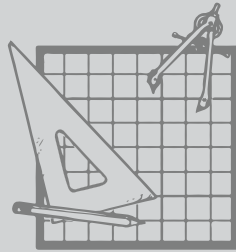
Full-Height Peninsula Base Cabinets



Full-Height Peninsula Base cabinets are 34 1/2" high by 24" deep and range from 12" to 36" wide.

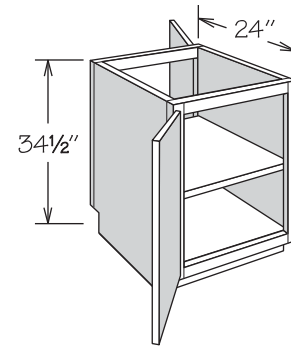
Single door Full-Height Peninsula Base cabinets are hinged left and can be reversed in the field.

Inset Toe Kick construction requires BTK8 matching toe kick - must be ordered separately.



When selecting the Recessed Toe Kick Option, the drawer side indicates the front of the cabinet in order to correctly select Recessed Toe Kick Right or Left.

Full-Height Peninsula Base
2 Doors, 1 Adjustable Shelf

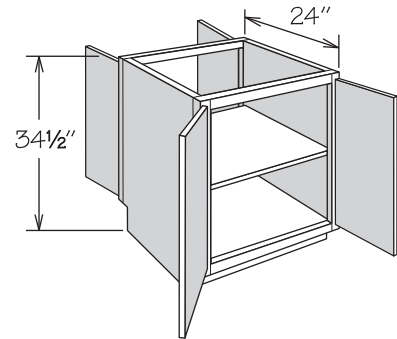


PB12 FH
PB18 FH

- APC
- FE
- PE
- RD
- RTK

- Full-height doors
- One adjustable shelf

Full-Height Peninsula Base
4 Butt Doors, 1 Adjustable Shelf

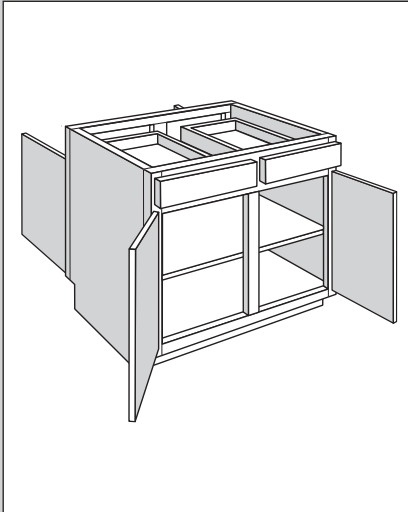


PB24 BUTT FH
PB30 BUTT FH
PB36 BUTT FH

- APC
- FE
- PE
- RD
- RTK

- Full-height doors
- One adjustable shelf

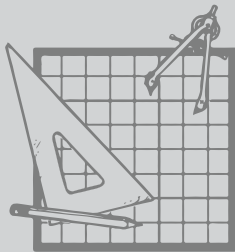
Peninsula Base Cabinets



Peninsula Base cabinets are 34½" high by 24" deep and range from 12" to 42" wide.

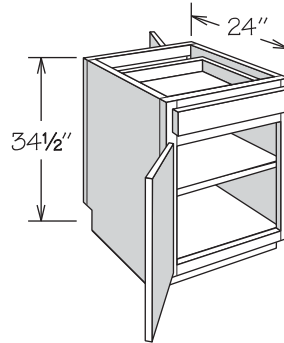
Single door Peninsula Base cabinets are hinged left and can be reversed in the field.

Inset Toe Kick construction requires BTK8 matching toe kick - must be ordered separately.



When selecting the Recessed Toe Kick Option, the drawer side indicates the front of the cabinet in order to correctly select Recessed Toe Kick Right or Left.

**Peninsula Base
2 Doors, 1 Drawer**

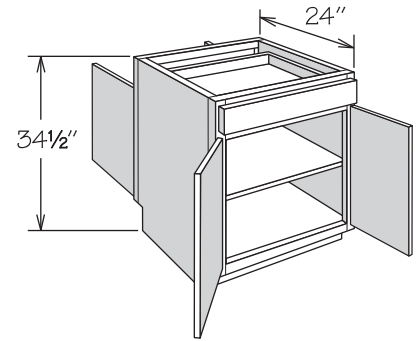


PB12
PB18
PB24

- APC
- FE
- PE
- RD
- RTK
- VTD

- Full-depth adjustable shelf
- Drawer accessible on one side only
- Panel on opposite side of drawer

**Peninsula Base
4 Butt Doors, 1 Drawer**

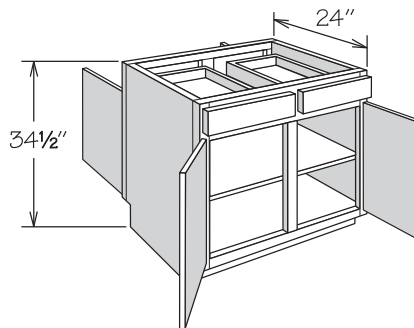


PB24 BUTT
PB30 BUTT
PB36 ITD BUTT

- APC
- FE
- PE
- RD
- RTK
- VTD

- Full-depth adjustable shelf
- Drawer accessible on one side only
- Panel on opposite side of drawer

**Peninsula Base
4 Doors, 2 Drawers**

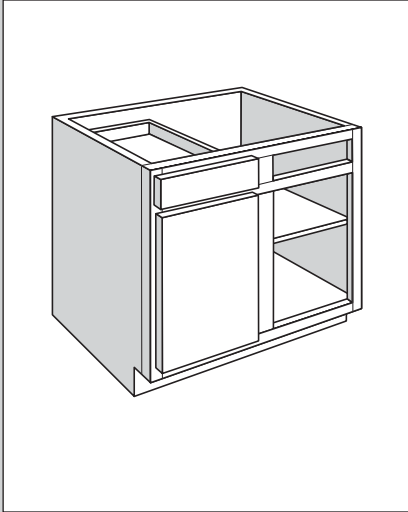


PB36
PB42

- APC
- FE
- PE
- RD
- RTK
- VTD

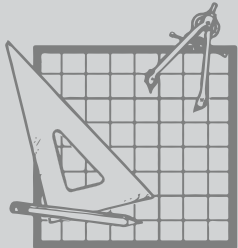
- Full-depth adjustable shelf
- Drawers accessible on one side only
- PB36 features one panel on opposite side of drawers
- PB42 features two panels on opposite side of drawers

Blind Corner Base Cabinets



Blind Corner Base cabinets are 34 1/2" high by 24" deep. The visible width of these cabinets ranges from 13 3/8" to 28" wide.

Inset toe kick construction requires BTK8 matching toe kick - must be ordered separately.

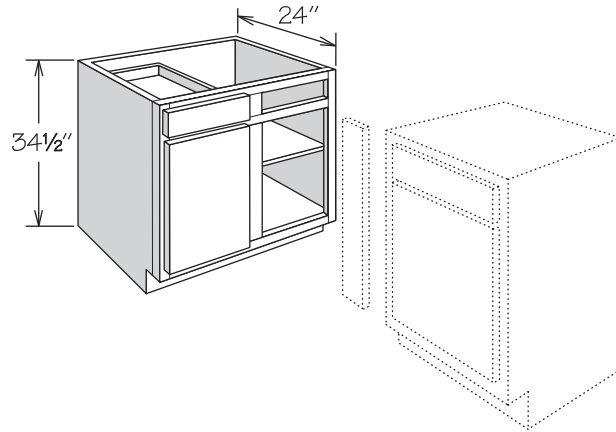


When a Blind Corner Base cabinet is used in a design, remember to include the appropriate filler. For a finished, decorative look add an Overlay Filler (Full Overlay Door Styles) to Universal Fillers or Decorative Blocks to a Fluted Beaded Filler.

When placing a Blind Corner Base cabinet near an appliance, extra filler space may be required to clear appliance doors and handles. Refer to appliance manufacturer's specifications for adequate clearance requirements.

Blind Corner Base

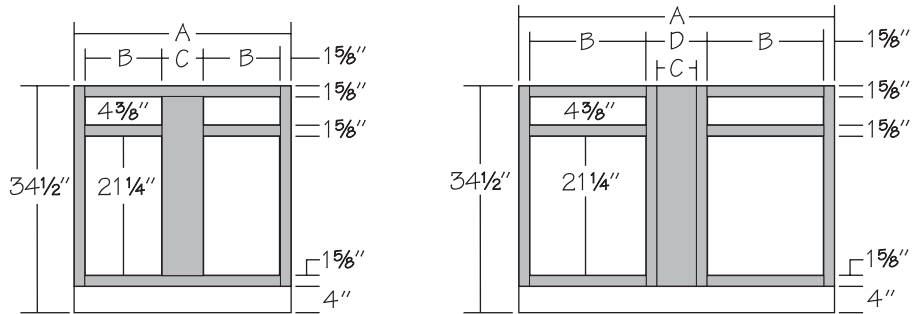
1 Door, 1 Drawer



| | |
|----------|-----|
| BLB36/39 | APC |
| BLB39/42 | CFO |
| BLB42/45 | FE |
| BLB45/48 | PE |
| BLB48/51 | RD |
| | RTK |

- Full-depth adjustable shelf
- Center support for shelf provided (excluding BLB36/39)
- Blind base door and drawer are installed in the left section
- Refer to the chart on following page for installation specifications
- Includes 1/2" panel to cover blind opening (field trim and install)
- Recessed Toe Kick (RTK) only available as Both (RTKB)
- Door and drawer can be reversed in the field as blind sections are identical
- Must order Universal Filler separately

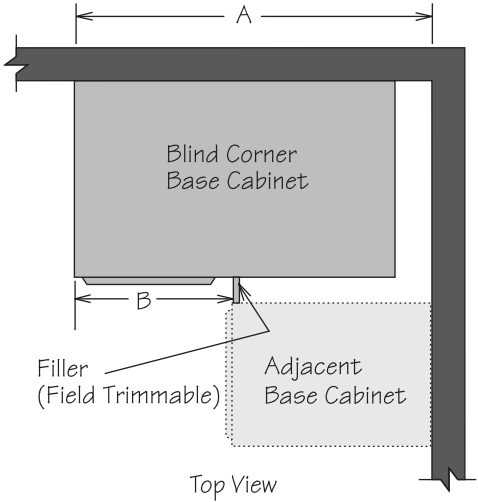
Blind Corner Base Cabinet Dimensions



| Cabinet | Cabinet Width | | | Door Opening | | |
|----------|---------------|---------|--------|--------------|---------|--------|
| | A | B | C | A | B | C |
| BLB36/39 | 27" | 8 3/4" | 6 1/4" | 27" | 8 3/4" | 6 1/4" |
| BLB39/42 | 33" | 11 3/4" | 6 1/4" | 33" | 11 3/4" | 6 1/4" |
| BLB42/45 | 39" | 14 3/4" | 6 1/4" | 39" | 14 3/4" | 6 1/4" |
| BLB45/48 | 45" | 17 3/4" | 6 1/4" | 45" | 17 3/4" | 6 1/4" |

| Cabinet | Cabinet Width | | | Door Opening | | |
|----------|---------------|---------|----|--------------|---------|----|
| | A | B | C | A | B | C |
| BLB48/51 | 48" | 17 3/4" | 6" | 48" | 17 3/4" | 6" |

Blind Corner Base Installation Chart



Full Overlay (FOL) Door Styles

Full Overlay Door Styles require decorative hardware, which has been calculated into dimensions.
 *Dimension requirements do not include optional Overlay Fillers – add ½" if Overlay Fillers will be used, except for BLB48/51 add ¼".
 **Additional pull may be required for appliances deeper than 24".

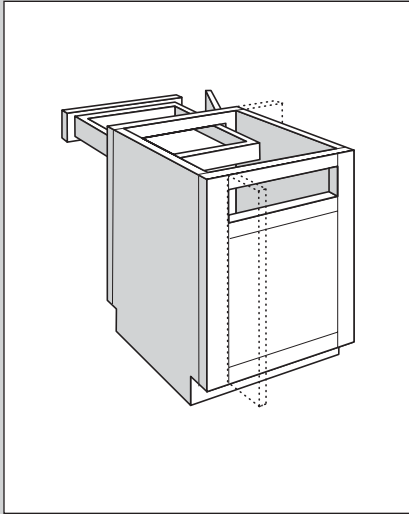
| Cabinet | Actual Cabinet Width | Door Opening | Door | Wall Space A | | | Exposed Frame B | |
|----------|----------------------|--------------|--------|----------------|----------------|---------------|-----------------|---------------|
| | | | | Minimum Space* | Maximum Pull** | Maximum Space | Minimum Space* | Maximum Space |
| BLB36/39 | 27" | 8 ¾" | DR1224 | 38 ¼" | 1 ¾" | 40" | 14 ¼" | 16" |
| BLB39/42 | 33" | 11 ¾" | DR1524 | 41 ¼" | 1 ¾" | 43" | 17 ¼" | 19" |
| BLB42/45 | 39" | 14 ¾" | DR1824 | 44 ¼" | 1 ¾" | 46" | 20 ¼" | 22" |
| BLB45/48 | 45" | 17 ¾" | DR2124 | 47 ¼" | 1 ¾" | 49" | 23 ¼" | 25" |
| BLB48/51 | 48" | 17 ¾" | DR2124 | 48" | 4" | 52" | 24" | 28" |

Partial Overlay (POL) Door Styles

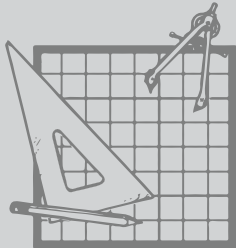
Wall Space A requirements include optional decorative hardware clearance.
 *1 ¼" may be deducted if decorative hardware is not used.

| Cabinet | Actual Cabinet Width | Door Opening | Door | Wall Space A | | | Exposed Frame B | |
|----------|----------------------|--------------|--------|----------------|---------------|----------------|-----------------|---------------|
| | | | | Minimum Space* | Maximum Pull* | Maximum Space* | Minimum Space | Maximum Space |
| BLB36/39 | 27" | 8 ¾" | DR1224 | 37 ¾" | 2 ¾" | 40" | 13 ¾" | 16" |
| BLB39/42 | 33" | 11 ¾" | DR1524 | 40 ¾" | 2 ¾" | 43" | 16 ¾" | 19" |
| BLB42/45 | 39" | 14 ¾" | DR1824 | 43 ¾" | 2 ¾" | 46" | 19 ¾" | 22" |
| BLB45/48 | 45" | 17 ¾" | DR2124 | 46 ¾" | 2 ¾" | 49" | 22 ¾" | 25" |
| BLB48/51 | 48" | 17 ¾" | DR2124 | 48" | 4" | 52" | 24" | 28" |

**Blind Peninsula Corner
Base Cabinets**



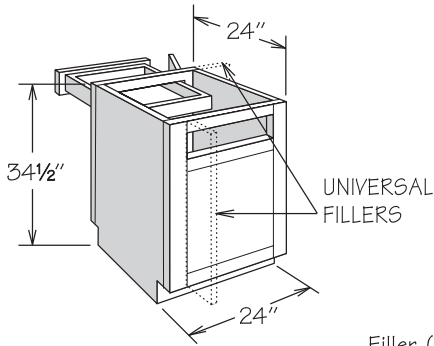
Blind Peninsula Corner Base cabinets are 34½" high by 24" deep.
Inset toe kick construction requires **BTK8** matching toe kick - must be ordered separately.



When a Blind Corner Base cabinet is used in a design, remember to include the appropriate filler. For a finished, decorative look add an Overlay Filler (Full Overlay Door Styles) to Universal Fillers or Decorative Blocks to a Fluted Beaded Filler.

When placing a Blind Corner Base cabinet near an appliance, extra filler space may be required to clear appliance doors and handles. Refer to appliance manufacturer's specifications for adequate clearance requirements.

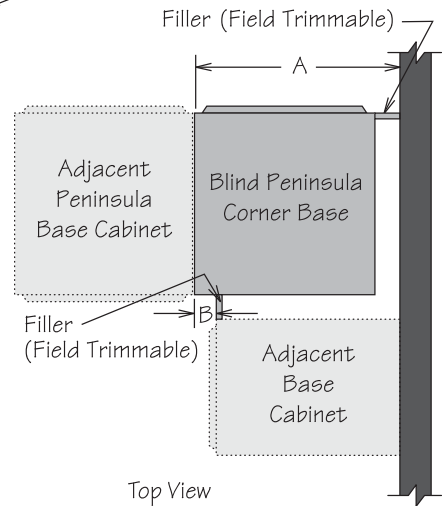
Blind Peninsula Corner Base



PBC24
PBC24 BUTT

APC
FE
PE
RD

- Full-depth adjustable shelf
- Can be installed left or right
- Universal Fillers are recommended for use between PBC24 and wall and adjoining base cabinet or appliance for hardware clearance and proper door operation
- Refer to the chart below for installation specifications
- Roll out accessories are not recommended
- Must order Universal Fillers separately



Blind Peninsula Corner Base Installation Chart

Full Overlay (FOL) Door Styles

Full Overlay door styles require decorative hardware, which has been calculated into dimensions.
*Must use these dimensions if optional Overlay Fillers will be used.
**Additional pull may be required for appliances deeper than 24".

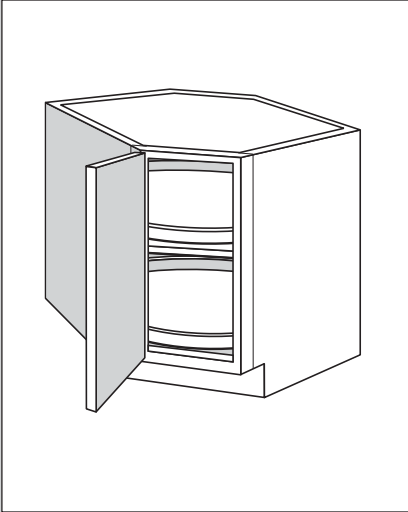
| Cabinet | Actual Cabinet Width | Door Opening | Door(s) | Wall Space A | | | Exposed Frame B | | Filler (at wall) | |
|------------|----------------------|--------------|-----------------|--------------|-------------|-------------|-----------------|-------------|------------------|-------|
| | | | | Min. Space | Max. Pull** | Max. Space* | Min. Space | Max. Space* | Min. | Max.* |
| PBC24 | 24" | 20 ¾" | DR2424 | 26 ¼" | ¾" | 27" | 2 ¼" | 3" | 2 ¼" | 3" |
| PBC24 BUTT | 24" | 20 ¾" | DR1224 BUTT (2) | 26 ¼" | ¾" | 27" | 2 ¼" | 3" | 2 ¼" | 3" |

Partial Overlay (POL) Door Styles

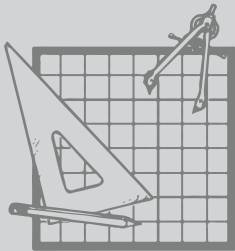
Wall Space A requirements include optional decorative hardware clearance.
* 1 ¼" may be deducted if decorative hardware is not used.

| Cabinet | Actual Cabinet Width | Door Opening | Door(s) | Wall Space A | | | Exposed Frame B | | Filler (at wall) | |
|------------|----------------------|--------------|-----------------|--------------|------------|-------------|-----------------|------------|------------------|------|
| | | | | Min. Space* | Max. Pull* | Max. Space* | Min. Space | Max. Space | Min. | Max. |
| PBC24 | 24" | 20 ¾" | DR2424 | 25 ¾" | 1 ½" | 27" | 1 ¾" | 3" | 1 ¾" | 3" |
| PBC24 BUTT | 24" | 20 ¾" | DR1224 BUTT (2) | 25 ¾" | 1 ½" | 27" | 1 ¾" | 3" | 1 ¾" | 3" |

Corner Base Cabinets



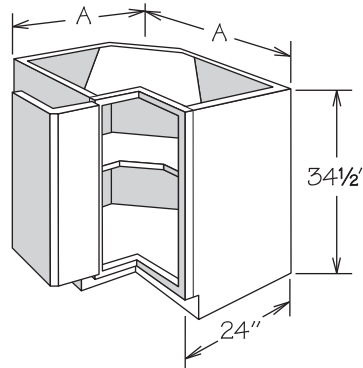
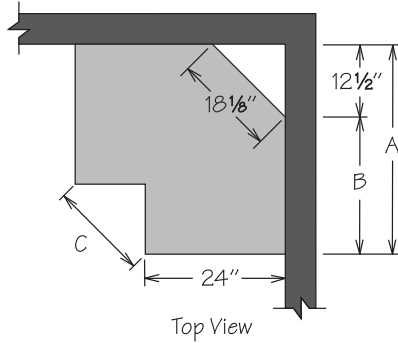
Inset toe kick construction requires BTK8 matching toe kick - must be ordered separately.
 Corner Base Cabinets, excluding CAR36, require a minimum of 34" to fit through doorway (removal of cabinet door recommended).



To ensure proper door function on a Corner Base cabinet, a 3" Filler or Dishwasher Return is recommended for placement between the cabinet and any appliance or other design element deeper than 24".

In addition the Corner Base cabinet should be hinged opposite (e.g., if a range is placed to the right of a Corner Base, the cabinet should be hinged left).

Base Easy Reach

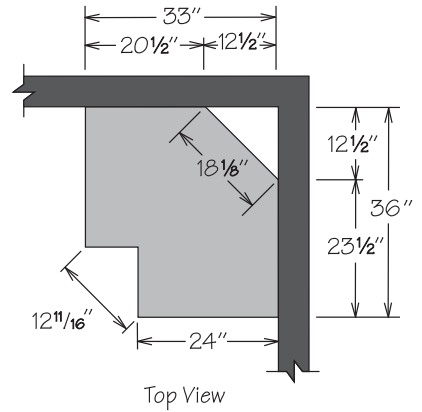


| | A | B | C |
|-------|-----|---------|---------|
| BER33 | 33" | 20 1/2" | 10 1/8" |
| BER36 | 36" | 23 1/2" | 14 5/8" |

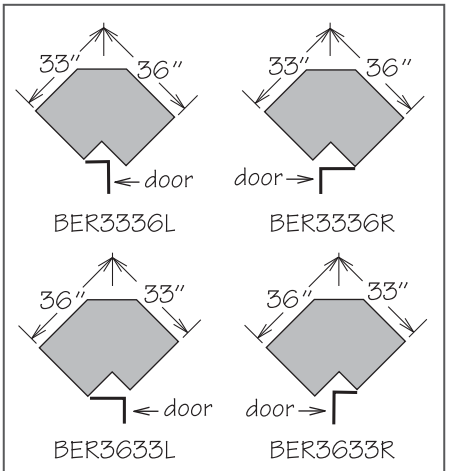
| | | |
|--------|--------|-----|
| BER33L | BER36L | APC |
| BER33R | BER36R | FE |
| | | PE |

- One adjustable half-depth shelf (non-removable)
- All door styles must be ordered hinged left or right
- BER33 features two solid recessed panel doors for Savannah door style
- Sides are finished
- Doors open 170 degrees
- Cabinet requires a minimum of 34" to fit through doorway (removal of cabinet door recommended)
- Additional space recommended if appliance is installed on the hinge side of this cabinet for proper door operation
- Cabinet features partial top

Asymmetrical Base Easy Reach



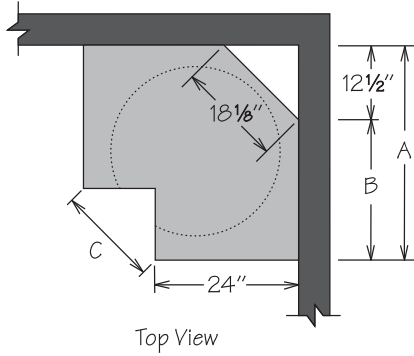
NOTE: For front view illustration, refer to Designer's Choice 2020 catalog.



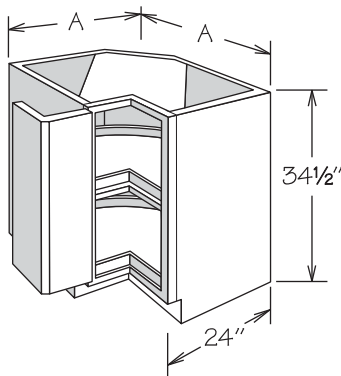
| | | |
|----------|----------|-----|
| BER3336R | BER3633R | APC |
| BER3336L | BER3633L | FE |
| | | PE |

- One adjustable half-depth shelf (non-removable)
- All door styles must be ordered hinged left or right
- Savannah door style features one solid recessed panel door (33" side) and one solid raised panel door (36" side)
- Sides are finished
- Doors open 170 degrees
- Cabinet requires a minimum of 34" to fit through doorway (removal of cabinet door recommended)
- Additional space recommended if appliance is installed on the hinge side of this cabinet for proper door operation
- Cabinet features partial top

**Base Super Susan
With Wood Spin Units**



Top View

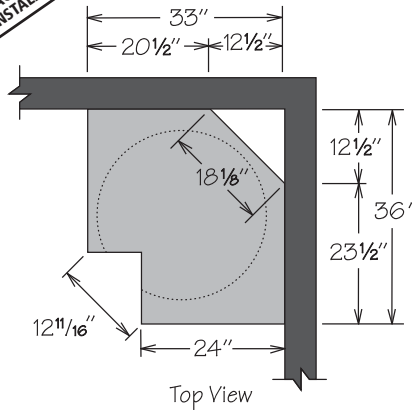


| | A | B | C |
|----------|-----|---------|---------|
| BSS33 WD | 33" | 20 1/2" | 10 7/8" |
| BSS36 WD | 36" | 23 1/2" | 14 5/8" |

| | | |
|-----------|-----------|-----|
| BSS33L WD | BSS36L WD | APC |
| BSS33R WD | BSS36R WD | FE |
| | | PE |

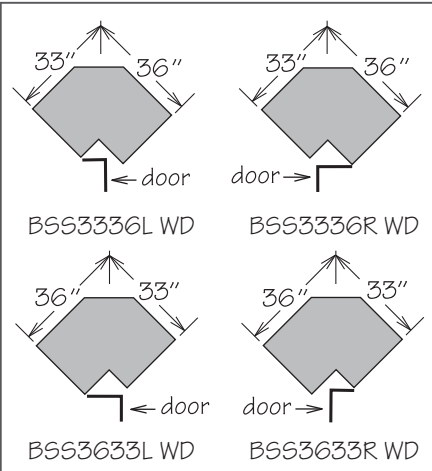
- Fixed wood spin unit mounted on cabinet floor
- Features one wood spin unit attached to 3/4" adjustable shelf
- Natural finish wood spin units feature 1" lip
- Wood spin diameter is 28" for BSS33 and 32" for BSS36
- All door styles must be ordered hinged left or right
- BSS33 WD features two solid recessed panel doors for Savannah door style
- Sides are finished
- Doors open 170 degrees
- Cabinet requires a minimum of 34" to fit through doorway (removal of cabinet door recommended)
- Additional space recommended if appliance is installed on the hinge side of this cabinet for proper door operation
- Cabinet features partial top

**Asymmetrical Base Super Susan
With Wood Spin Units**



Top View

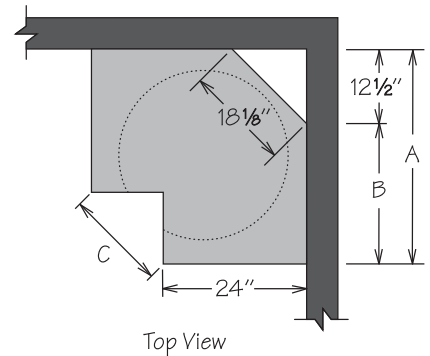
NOTE: For front view illustration, refer to Designer's Choice 2020 catalog.



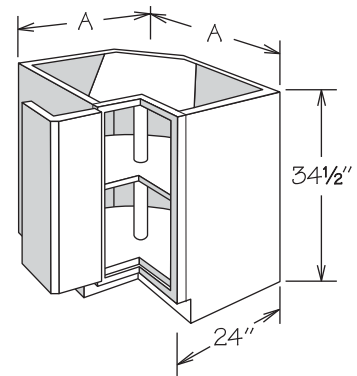
| | | |
|-------------|-------------|-----|
| BSS3336R WD | BSS3633R WD | APC |
| BSS3336L WD | BSS3633L WD | FE |
| | | PE |

- Fixed wood spin unit mounted on cabinet floor
- Features one wood spin unit attached to 3/4" adjustable shelf
- Natural finish wood spin units feature 1" lip and are 28" in diameter
- All door styles must be ordered hinged left or right
- Savannah door style features one solid recessed panel door (33" side) and one solid raised panel door (36" side)
- Sides are finished
- Doors open 170 degrees
- Cabinet requires a minimum of 34" to fit through doorway (removal of cabinet door recommended)
- Additional space recommended if appliance is installed on the hinge side of this cabinet for proper door operation
- Cabinet features partial top

**Base Super Susan
With Plastic Spin Shelves**



Top View

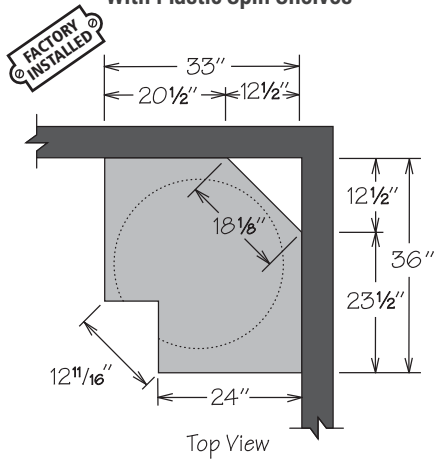


| | A | B | C |
|-------|-----|---------|---------|
| BSS33 | 33" | 20 1/2" | 10 7/8" |
| BSS36 | 36" | 23 1/2" | 14 5/8" |

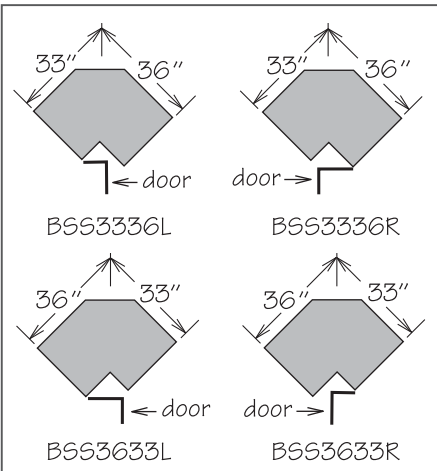
| | | |
|--------|--------|-----|
| BSS33L | BSS36L | APC |
| BSS33R | BSS36R | FE |
| | | PE |

- BSS33 features two 28" diameter white spin shelves with pole (top shelf adjustable)
- BSS36 features two 32" diameter white spin shelves with pole (top shelf adjustable)
- All door styles must be ordered hinged left or right
- BSS33 features two solid recessed panel doors for Savannah door style
- Sides are finished
- Doors open 170 degrees
- Cabinet requires a minimum of 34" to fit through doorway (removal of cabinet door recommended)
- Additional space recommended if appliance is installed on the hinge side of this cabinet for proper door operation
- Cabinet features partial top

Asymmetrical Base Super Susan
With Plastic Spin Shelves



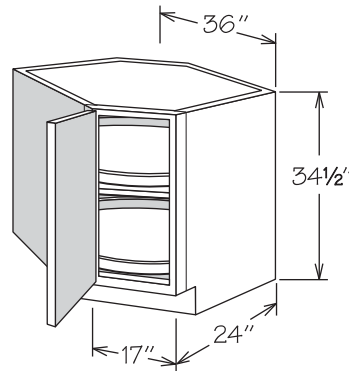
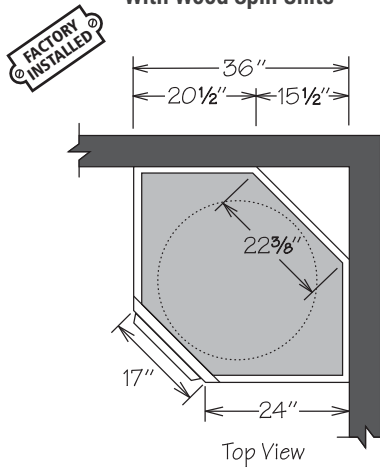
NOTE: For front view illustration, refer to Designer's Choice 2020 catalog.



| | | |
|----------|----------|-----|
| BSS3336L | BSS3633L | APC |
| BSS3336R | BSS3633R | FE |
| | | PE |

- Features two 28" diameter white spin shelves with pole (top shelf adjustable)
- All door styles must be ordered hinged left or right
- Savannah door style features one solid recessed panel door (33" side) and one solid raised panel door (36" side)
- Sides are finished
- Doors open 170 degrees
- Cabinet requires a minimum of 34" to fit through doorway (removal of cabinet door recommended)
- Additional space recommended if appliance is installed on the hinge side of this cabinet for proper door operation
- Cabinet features partial top

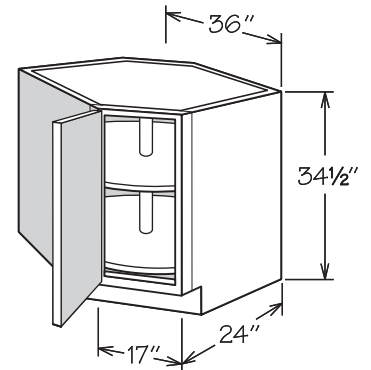
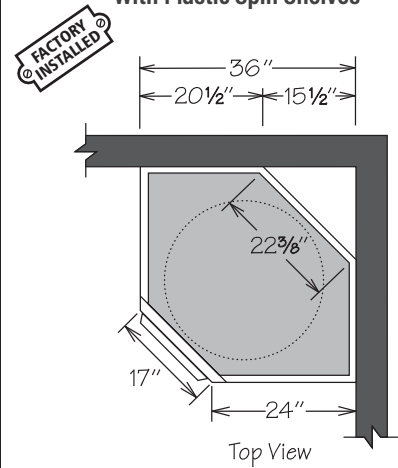
Corner Base
With Wood Spin Units



| | |
|----------|-----|
| CBS36 WD | APC |
| | FE |
| | PE |

- Fixed wood spin unit mounted on cabinet floor
- Features one wood spin unit attached to 3/4" adjustable shelf
- Natural finish wood spin units feature 1" lip and are 28" in diameter
- Sides are finished
- Cabinet requires a minimum of 34" to fit through doorway (removal of cabinet door recommended)
- Additional space recommended if appliance is installed on the hinge side of this cabinet for proper door operation
- Cabinet features solid top

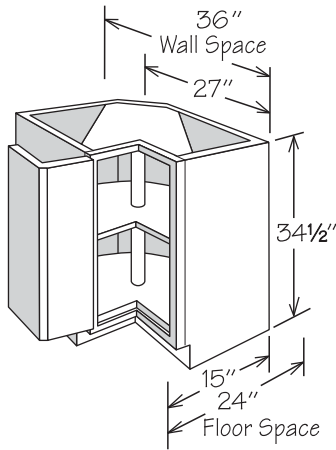
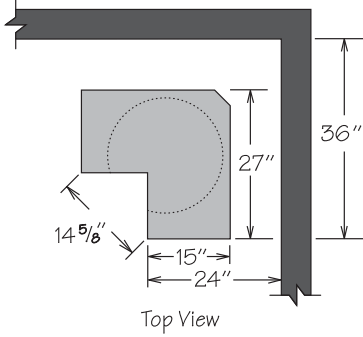
Corner Base
With Plastic Spin Shelves



| | |
|-------|-----|
| CBS36 | APC |
| | FE |
| | PE |

- Features two 28" diameter full round white spin shelves with pole (top shelf adjustable)
- Sides are finished
- Cabinet requires a minimum of 34" to fit through doorway (removal of cabinet door recommended)
- Additional space recommended if appliance is installed on the hinge side of this cabinet for proper door operation
- Cabinet features solid top

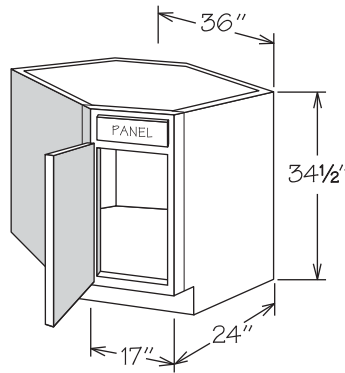
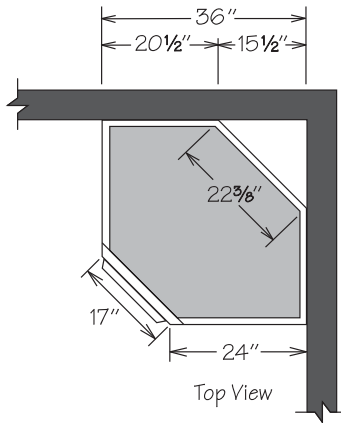
Corner Base Carousel



CAR36L CAR36L WD
CAR36R CAR36R WD

- CAR36 features two 24" diameter white spin shelves with pole (top shelf adjustable)
- CAR36 WD features two 24" diameter natural finish solid hardwood spin shelves with pole (top shelf adjustable)
- All door styles must be ordered hinged left or right
- Sides are unfinished
- Doors open 170 degrees
- If unit has an exposed side, order end panel separately
- Additional support for countertop in back is necessary
- Additional space recommended if appliance is installed on the hinge side of this cabinet for proper door operation
- Unit must be pulled to install in a 36" x 36" space
- Cabinet features partial top

Corner Sink Base

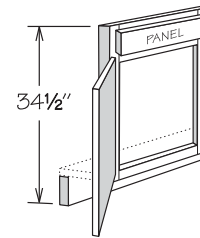
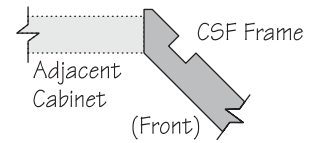
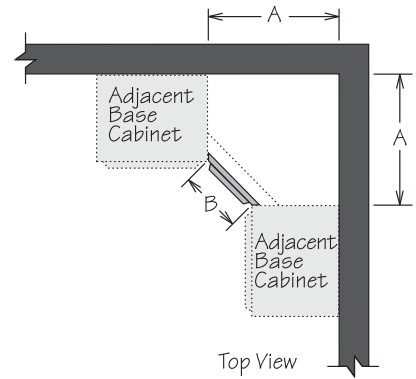


CSB36

APC
FE
PE

- No shelf
- Sides are finished
- Cabinet requires a minimum of 34" to fit through doorway (removal of cabinet door recommended)
- Additional space recommended if appliance is installed on either side of this cabinet for proper appliance door operation
- Cabinet features solid top which must be field cut for sink installation as per manufacturer's specifications
- Maximum sink-cut out width is 22 3/8" if cut-out is 4" back from face of front frame
- Refer to sink manufacturer's specifications for adequate clearance and required installation materials

Corner Sink Front

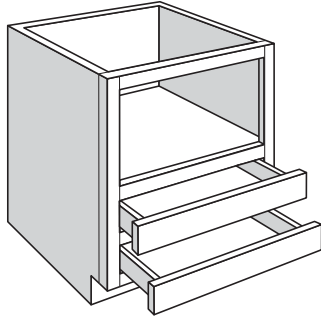


| | A | B |
|-------|----------|----------|
| CSF36 | 35 3/32" | 16 5/16" |
| CSF42 | 42 1/32" | 25 5/16" |

CSF36
CSF42

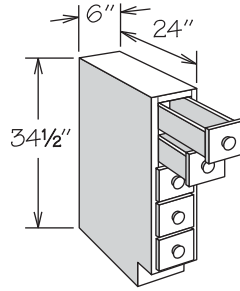
- Corner Sink Front not trimmable
- Vertical edges of frame are mitered to attach to adjacent cabinet frames
- Toe kick shipped loose
- Order floors and returns separately (trimming may be required) - refer to Panel section for availability

Specialty Base Cabinets



Inset toe kick construction requires BTK8 matching toe kick - must be ordered separately.

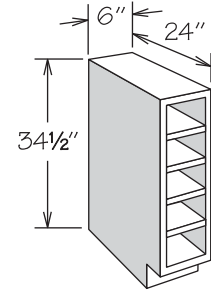
Base Spice Drawer Cabinet



BSDC6

- Drawer fronts are finished to match cabinet box exterior
- Features veneered engineered wood
- Five individual full-depth drawers
- Flush sides
- All wood drawer body with dovetail construction
- Breeze, Pewter Glaze and Linen (Duraform and Painted) finishes feature white porcelain knobs, all other finishes feature matching wood knobs
- Features 1/2" thick slab drawer fronts for all door styles

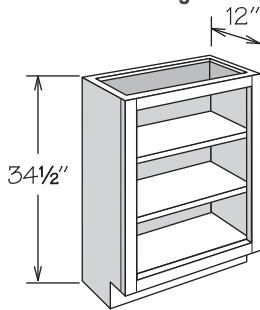
Base Wine Rack Cabinet



BWRC6

- Features veneered engineered wood finished to match cabinet box exterior
- Interior finished to match cabinet box exterior
- Accommodates five wine bottles
- Each opening measures 5" high by 4 1/2" wide
- 3/4" thick sides and shelves
- Flush sides
- Cannot be retrofitted with Base Spice Drawer Cabinet drawers

Base Bookshelf
34 1/2" High

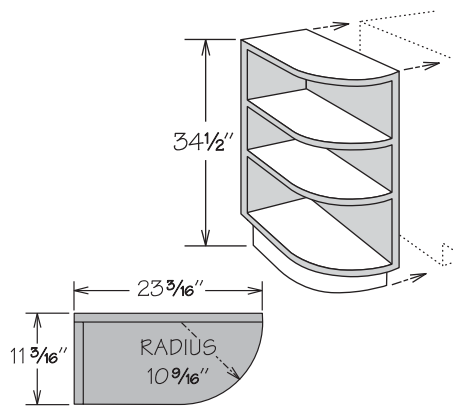


BSPLY2434

FE
ID
RD
RTK

- All Plywood Construction standard
- Interior finished to match cabinet box exterior
- Features two adjustable 3/4" plywood shelves
- Shelving packaged separately for field installation

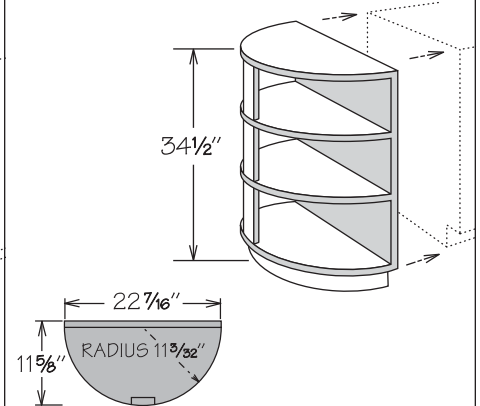
Shelf End Base



SEB

- Features veneered engineered wood finished to match cabinet box exterior
- Interior finished to match cabinet box exterior
- 3/4" shelves
- Distance between shelves is 9 3/8"
- 7/8" screw recommended from inside of adjacent cabinet for installation
- Toe kick is removable - invert unit for right or left
- Cabinet dimensions are for reference purposes ONLY - countertop must be measured and fabricated after cabinet installation

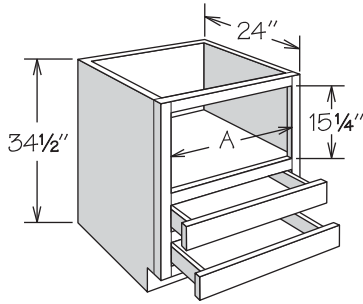
Shelf End Peninsula Base



SEPB

- Features veneered engineered wood finished to match cabinet box exterior
- Interior finished to match cabinet box exterior
- 3/4" shelves
- Distance between shelves is 9 3/8"
- 7/8" screw recommended from inside of adjacent cabinet for installation
- Cabinet dimensions are for reference purposes ONLY - countertop must be measured and fabricated after cabinet installation

Base Microwave Cabinet

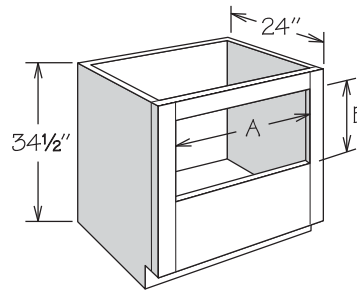


| | A |
|-------|---------|
| BMC24 | 20 3/4" |
| BMC27 | 23 3/4" |
| BMC30 | 26 3/4" |

| | |
|-------|-----|
| BMC24 | APC |
| BMC27 | FE |
| BMC30 | PE |
| | RD |
| | RTK |

- Microwave opening finished to match cabinet box exterior
- Designed to accommodate countertop style microwave
- Features two standard depth drawers
- Accent Molding recommended - order separately
- Refer to appliance manufacturer's specifications for adequate clearances

Base Oven Cabinet Universal



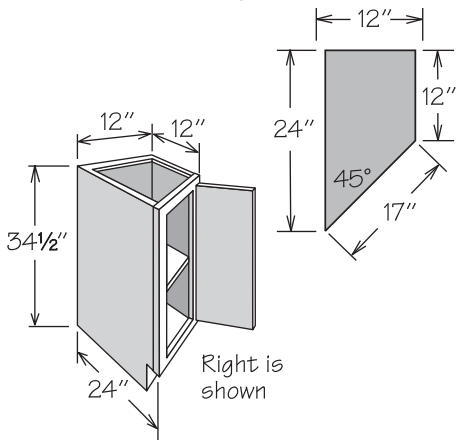
| Cut Out | A | | B | |
|---------|---------|---------|---------|-------|
| | Min. | Max. | Min. | Max.* |
| BOCU27 | 20 3/4" | 24 3/8" | 18 1/4" | 29" |
| BOCU30 | 23 3/4" | 27 5/8" | 18 1/4" | 29" |
| BOCU33 | 26 3/4" | 30 5/8" | 18 1/4" | 29" |

*Trimming/removal of top rail required

| | |
|--------|-----|
| BOCU27 | APC |
| BOCU30 | FE |
| BOCU33 | PE |
| | RD |
| | RTK |

- Designed for mounting single oven below countertop
- 3" top rail is field removable and field trimmable
- 3/8" stiles
- Will accommodate certain cooktops (in conjunction with undercounter oven) or drop-in ranges
- Most ovens require a top rail of varying heights to create a finished look and to allow for the oven door to clear the countertop when opened
- Refer to appliance manufacturer's specifications for adequate clearances and required installation materials

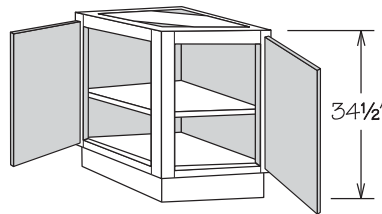
**Base End Angle
1 Full-Height Door**



| | |
|-----------|-----|
| BEA12L FH | APC |
| BEA12R FH | FE |
| | PE |
| | RD |
| | RTK |

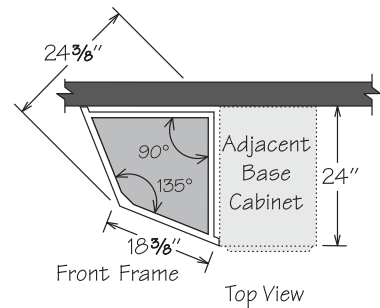
- One adjustable shelf
- Must order left or right
- Recessed Toe Kick (RTK) only available on 12" side
- Only available with RD-23 through RD-18
- Cabinet dimensions are for reference purposes ONLY - countertop must be measured and fabricated after cabinet installation

**Base End Angle
2 Full-Height Doors**

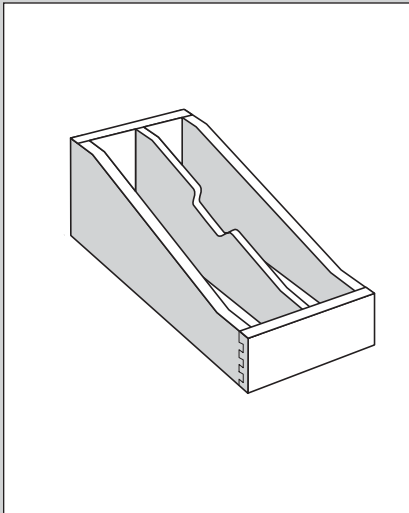


| | |
|----------|-----|
| BEA24 FH | APC |
| | PE |

- Requires 24" x 24" space
- One adjustable shelf
- Cabinet dimensions are for reference purposes ONLY - countertop must be measured and fabricated after cabinet installation

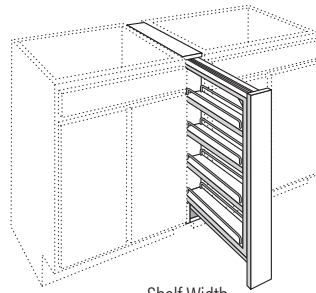


Base Cabinet Accessories



Base Filler Pull Out

NEW! **SIZE**



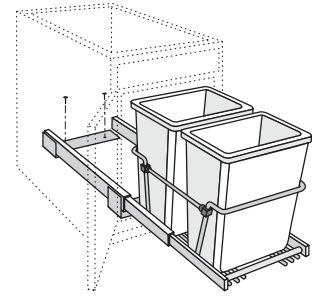
Shelf Width

| | |
|------|--------|
| BFP3 | 2 1/8" |
| BFP6 | 4 3/4" |

BFP3
BFP6

- Must be installed between two base cabinets behind the face frames in 3" (BFP3) or 6" (BFP6) of floor space
- Cannot be installed next to an appliance or at the end of a run
- No side panels or toe kick
- Filler shipped unattached for field installation
- An overlay filler is recommended for Full Overlay door styles - order separately
- One fixed and three adjustable shelves in natural finish with chrome rails
- Decorative hardware strongly recommended

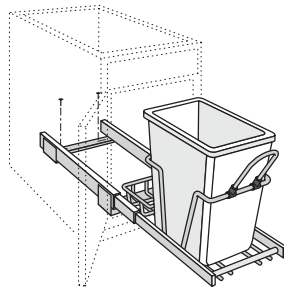
Base Recycling Kit



BR2B15

- Field installation accessory
- Features two white 27-quart plastic bins, chrome wire rack and Full-Access glides
- Mounts in B18 (14 3/4") or wider cabinet opening
- Unit measures 11 5/8" W x 19 1/8" H x 22 3/4" D
- Not sized to fit cabinets with Reduced Depth

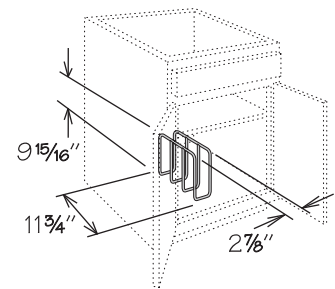
Wastebasket Unit



WBU15

- Field installation accessory
- Features one white 35-quart plastic bin, chrome wire rack with storage bin and Full-Access glides
- Mounts in B15 (11 3/4") or wider cabinet opening
- Unit measures 10 5/8" W x 19 1/4" H x 22" D
- Not sized to fit cabinets with Reduced Depth

Cabinet Tray Divider

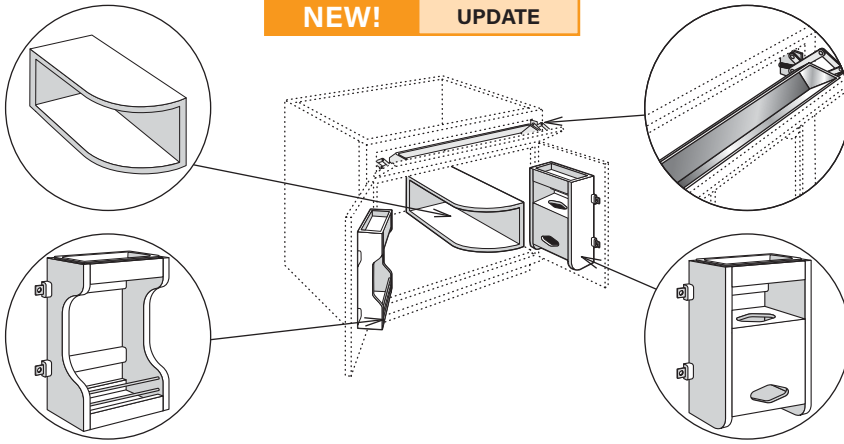


TD3

- Field installation accessory
- Chrome finish
- For use in 24" deep cabinets or cabinets with RD-23 through RD-14
- Mounting hardware included

Sink Base Multi-Storage Kit

NEW! **UPDATE**

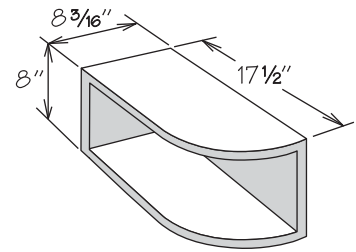


SBMS30 KIT
SBMS36 KIT

- **UPDATE: SBMS36 KIT now features one Stainless Tilt-Out Tray Kit (STO TRAY 22)**
- Field installation accessory
- Not sized to fit cabinets with Reduced Depth
- Tilt-Out Trays and Door Storage Unit Trays are NOT dishwasher safe

- SBMS30 KIT for 30" sink base only and features:
 - 15" Sink Base Door Storage Unit (SBDSU15)
 - 15" Plastic Bag Door Storage Unit (PBDSU15)
 - Sink Base Multi-Storage Shelf (SBMSS)
 - One Stainless Tilt-Out Tray Kit (STO TRAY 22)
- SBMS36 KIT for 36" sink base only and features:
 - 18" Sink Base Door Storage Unit (SBDSU18)
 - 18" Plastic Bag Door Storage Unit (PBDSU18)
 - Sink Base Multi-Storage Shelf (SBMSS)
 - One Stainless Tilt-Out Tray Kit (STO TRAY 22)

Sink Base Multi-Storage Shelf

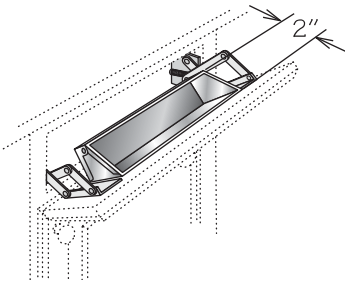


SBMSS

- Field installation accessory
- 3/4" plywood with natural finish
- Invert for left or right installation

BASE CABINETS

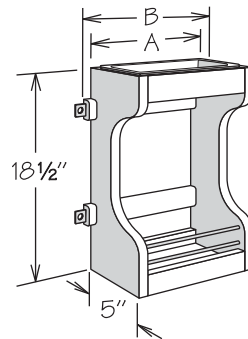
Tilt-Out Tray Kit



| | |
|------------|-------------|
| Plastic: | Stainless: |
| TO TRAY 11 | STO TRAY 11 |
| TO TRAY 14 | STO TRAY 14 |
| TO TRAY 22 | STO TRAY 22 |

- Field installation accessory
- Kit features tray and one pair of scissor hinges
- Order trays individually
- TO TRAY 11 or STO TRAY 11:
 - Order one tray for SB18
- TO TRAY 14 or STO TRAY 14:
 - Order one tray for SB21, SB24, SB27 BUTT or CSF42
 - Order two trays for SB39, SB42 or SB48
- TO TRAY 22 or STO TRAY 22:
 - Order one tray for SB30 BUTT, SB33 BUTT or SB36 BUTT
- Cabinet Sink Fronts use same quantity of trays as Sink Base cabinets
- Tilt-Out Trays are NOT dishwasher safe

Sink Base Door Storage Unit

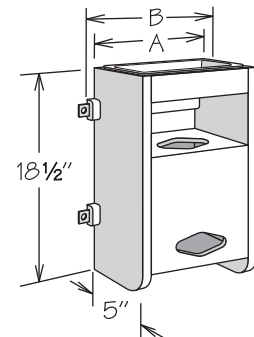


| | A | B |
|---------|---------|---------|
| SBDSU15 | 9" | 10 1/2" |
| SBDSU18 | 10 1/2" | 13 1/2" |

SBDSU15
SBDSU18

- Field installation accessory
- Natural finish solid wood
- Two fixed shelves
- Cannot be used with Deep Roll Out Trays
- Full-depth shelf must be field trimmed to half-depth
- Removable white plastic tray is NOT dishwasher safe
- SBDSU15 mounts to 15" or 16" wide base doors
- SBDSU18 mounts to 18" or 19" wide base doors

Plastic Bag Door Storage Unit

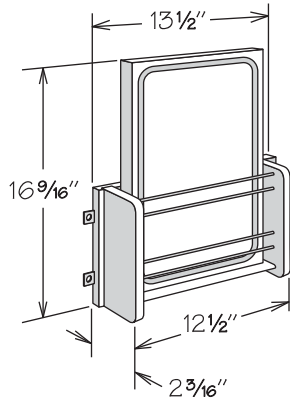


| | A | B |
|---------|---------|---------|
| PBDSU15 | 9" | 10 1/2" |
| PBDSU18 | 10 1/2" | 13 1/2" |

PBDSU15
PBDSU18

- Field installation accessory
- Natural finish solid wood and wood veneer
- Cannot be used with Deep Roll Out Trays
- Full-depth shelf must be field trimmed to half-depth
- Removable white plastic tray is NOT dishwasher safe
- PBDSU15 mounts to 15" or 16" wide base doors
- PBDSU18 mounts to 18" or 19" wide base doors

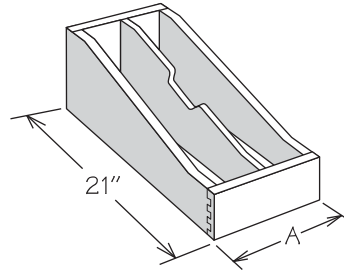
Cutting Board Door Rack Kit



CBDRK18

- Field installation accessory
- Natural finish solid wood with chrome rails
- Cannot be used with Deep Roll Out Trays
- Full-depth shelf must be field trimmed to half-depth
- Solid wood cutting board is NOT dishwasher safe
- Cutting board measures 15 3/8" x 10 3/4" x 1 3/8"
- CBDRK18 mounts to 18" or 19" wide base doors

Roll Out Tray Divider Kit



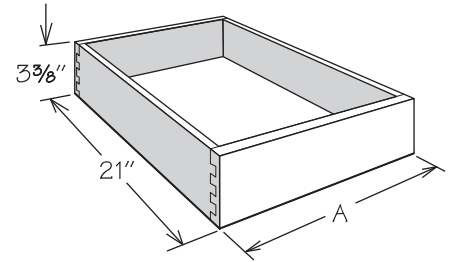
| | A | Cabinet Size |
|---------|---------|--------------|
| ROTDK12 | 7 3/4" | 12" |
| ROTDK15 | 10 3/4" | 15" |

ROTDK12
ROTDK15

- Field installation accessory
- ROTDK12 features two compartments (one partition)
- ROTDK15 features three compartments (two partitions)
- Partition(s) are field installed
- Not sized to fit cabinets with Reduced Depth
- Features natural finish solid wood and wood veneer with engineered wood bottom
- Front of organizer features dovetail construction

Deep Roll Out Tray Kit

NEW! SIZES



| | A | Base Cabinet Size | Oven Cabinet Size |
|--------|---------|-------------------|-------------------|
| DROT12 | 7 3/4" | 12" | - |
| DROT15 | 10 3/4" | 15" | - |
| DROT18 | 13 3/4" | 18" | - |
| DROT19 | 15 3/4" | 19" | - |
| DROT21 | 16 3/4" | 21" | - |
| DROT24 | 19 3/4" | 24" | 27" |
| DROT27 | 22 3/4" | 27" | 30" |
| DROT30 | 25 3/4" | 30" | 33" |
| DROT33 | 28 3/4" | 33" | - |
| DROT36 | 31 3/4" | 36" | - |

Deep Roll Out Tray Kit

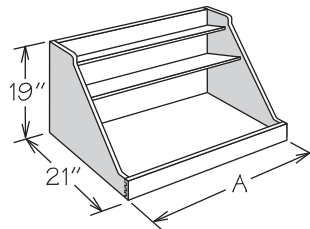
DROT12
DROT15
DROT18
DROT19
DROT21
DROT24
DROT27
DROT30
DROT33
DROT36

4 Pack Deep Roll Out Tray Kit

DROT12-4K
DROT15-4K
DROT18-4K
DROT21-4K
DROT24-4K
DROT27-4K
DROT30-4K
DROT33-4K
DROT36-4K

- Field installation accessory
- Natural finish dovetail drawer with engineered wood bottom
- Includes tray, all glide hardware and installation instructions
- Reduced Depth DROT will not fit in standard 21" deep Vanity or Desk Cabinets
- DROT drill template is required for all two door cabinets that have a fixed center stile - contact Customer Care for drill template

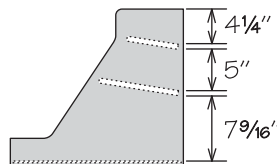
Base Pot & Pan Organizer Kit



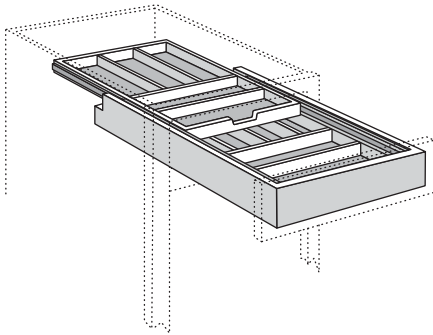
| | A | Base Cabinet Size | Oven Cabinet Size |
|---------|---------|-------------------|-------------------|
| BPPOK24 | 19 3/4" | 24" | 27" |
| BPPOK27 | 22 3/4" | 27" | 30" |
| BPPOK30 | 25 3/4" | 30" | 33" |
| BPPOK33 | 28 3/4" | 33" | - |
| BPPOK36 | 31 3/4" | 36" | - |

BPPOK24
BPPOK27
BPPOK30
BPPOK33
BPPOK36

- Field installation accessory
- Features natural finish solid wood and wood veneer with engineered wood bottom
- Front of organizer features dovetail construction
- Top shelf measures 6 3/8" deep
- Middle shelf measures 9 3/4" deep
- Not sized to fit cabinets with Reduced Depth



Wood Tiered Cutlery Divider Kit

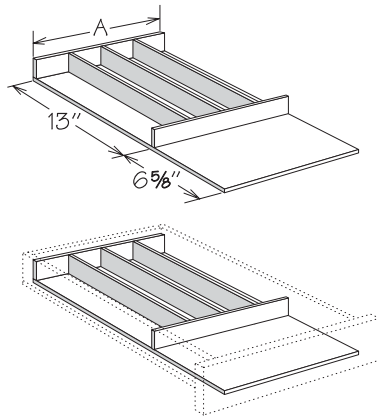


| | Upper Sections | Lower Sections |
|-----------|----------------|----------------|
| WTCDKFD15 | 5 | 5 |
| WTCDKFD18 | 5 | 6 |
| WTCDKFD21 | 6 | 7 |
| WTCDKFD24 | 7 | 7 |

WTCDKFD15
WTCDKFD18
WTCDKFD21
WTCDKFD24

- Available as Factory Installed for all door styles
- Field installed accessory replaces existing drawer box
- Glides are not included: reuse existing drawer glides
- Solid hardwood and plywood in natural finish
- Double tiered cutlery divider slides independently from drawer
- Can be installed in cabinets with single drawer or side-by-side drawer configurations
- Not sized to fit cabinets with Reduced Depth
- Not field trimmable

Cutlery Divider Kit

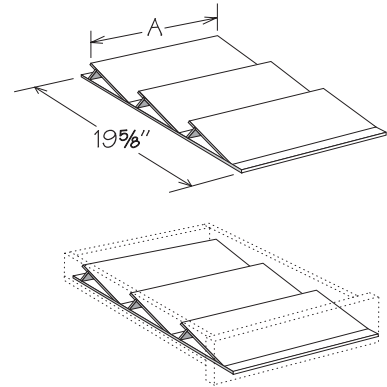


| | Number of Sections | A |
|--------|--------------------|---------|
| CDAK15 | 3 | 9 3/4" |
| CDAK18 | 4 | 12 3/4" |
| CDAK21 | 5 | 15 3/4" |
| CDAK24 | 5 | 18 3/4" |

CDAK15
CDAK18
CDAK21
CDAK24

- Available as Factory Installed for all door styles
- Field installation accessory
- Solid hardwood and plywood in natural finish
- Not sized to fit cabinets with Reduced Depth
- Not field trimmable

Spice Drawer Insert Kit

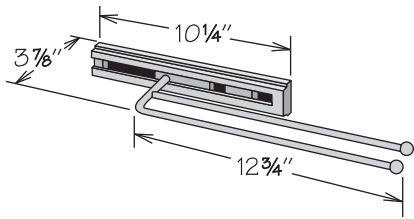


| | A |
|---------|---------|
| SDIAK15 | 9 3/4" |
| SDIAK18 | 12 3/4" |
| SDIAK21 | 15 3/4" |
| SDIAK24 | 18 3/4" |

SDIAK15
SDIAK18
SDIAK21
SDIAK24

- Available as Factory Installed for all door styles
- Field installation accessory
- Solid hardwood and plywood in natural finish
- Accommodates most spice containers (not included)
- Not sized to fit cabinets with Reduced Depth
- Not field trimmable

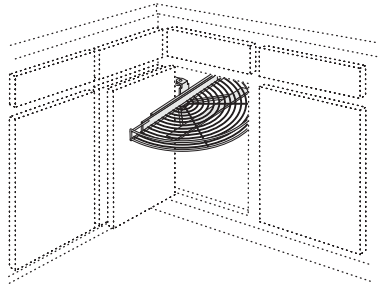
Sliding Towel Bar



STB

- Field installation accessory
- Two chrome finish towel bars
- Mounts to cabinet side panel
- Pulls out 7" for easy access
- For use in 24" deep cabinets or cabinets with RD-23 through RD-14

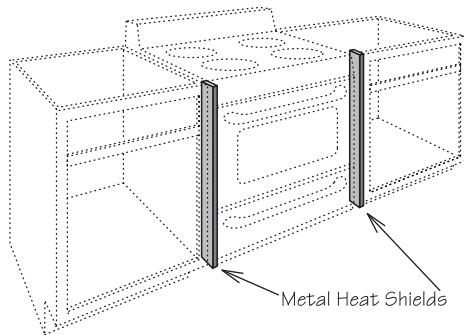
Corner Lazy Susan



CLS45F

- Field installation accessory
- One 2½" high chrome wire shelf per unit
- For use with BLB45/48 or BLB48/51
- More than one unit can be installed
- Order units individually
- 34" long x 16" deep from center
- Attaches to back of face frame
- Not sized to fit cabinets with Reduced Depth

Heat Shield Kit



HSK

- Field installation accessory
- For use as heat shield on Portola Duraform
- Protects doors and drawer fronts from adjacent heat source (built-in ovens, under counter ovens, drop-in or free-standing ranges)
- Kit features:
 - Two ½" metal heat shields finished to match cabinet box exterior
 - One strip of QM8 molding shield finished to match cabinet box exterior

Tall Cabinets



Dimensions

| Width | Depth | Height |
|------------|---|------------|
| 12" to 36" | 12" to 24" (Reduced Depth optional on select cabinets) | 84" to 96" |

SKU Coding

| | | | | |
|--|---------------------------------|---------------------------------|----------|----------------------------------|
| UT Cabinet Type (e.g., UT= Utility Cabinet) | 18 Width in Inches | 24 Depth in Inches | X | 90 Height in Inches |
|--|---------------------------------|---------------------------------|----------|----------------------------------|

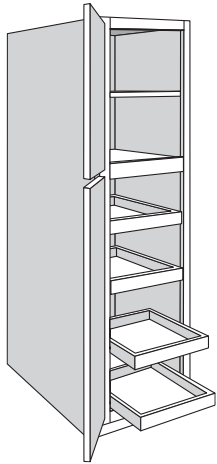
Construction Options & Modifications

| | |
|------------------|--------------------------|
| APC | All Plywood Construction |
| CFO | Cabinet Front Only |
| FE | Furniture Ends |
| MI | Matching Interior |
| PE | Plywood Ends |
| RD | Reduced Depth |

Specialty Door (SD) Cabinet Options

| | |
|------------------|--------------------|
| MFD | Mullion Frame Door |
| OFD | Open Frame Door |

Utility Cabinets



Utility cabinets range in size from 12" to 36" wide, 84" to 96" high and 12" to 24" deep.

Single door Utility cabinets are hinged left or right and can be reversed in the field.

Specialty doors will apply to top doors only.

Utility cabinet bottom doors have a center rail for select door styles - refer to door style section.

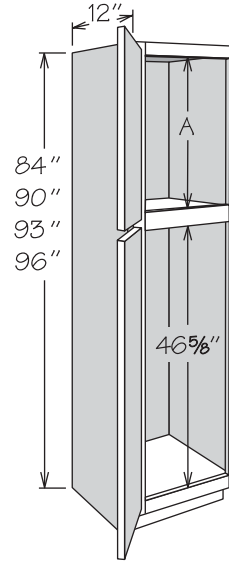
Inset Toe Kick construction requires BTK8 matching toe kick - must be ordered separately.

See page 45 for Ceiling Height Requirements information.

Utility Cabinet

12" Deep • 2 Doors • No Shelves

NEW! SIZES



| | A |
|----------|---------|
| 84" High | 26 7/8" |
| 90" High | 32 7/8" |
| 93" High | 35 7/8" |
| 96" High | 38 7/8" |

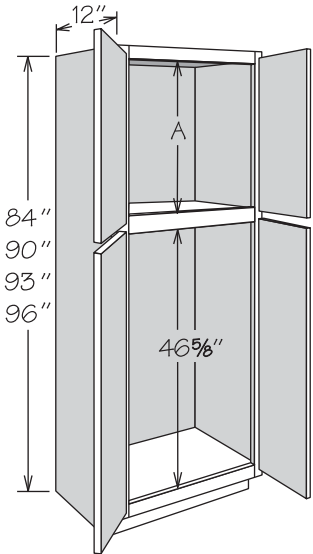
- | | |
|---------------|----------------|
| ■ UT1212 X 84 | UT1212 X 84 SD |
| ■ UT1512 X 84 | UT1512 X 84 SD |
| ■ UT1812 X 84 | UT1812 X 84 SD |
| ■ UT2112 X 84 | UT2112 X 84 SD |
| ■ UT1212 X 90 | UT1212 X 90 SD |
| ■ UT1512 X 90 | UT1812 X 90 SD |
| ■ UT1812 X 90 | UT1812 X 90 SD |
| ■ UT2112 X 90 | UT2112 X 90 SD |
| ■ UT1212 X 93 | UT1212 X 93 SD |
| ■ UT1512 X 93 | UT1812 X 93 SD |
| ■ UT1812 X 93 | UT1812 X 93 SD |
| ■ UT2112 X 93 | UT2112 X 93 SD |
| ■ UT1212 X 96 | UT1212 X 96 SD |
| ■ UT1512 X 96 | UT1812 X 96 SD |
| ■ UT1812 X 96 | UT1812 X 96 SD |
| ■ UT2112 X 96 | UT2112 X 96 SD |

| |
|------|
| APC |
| CFO |
| FE |
| ■ MI |
| PE |
| RD |

- Shelving and optional interior accessories may be ordered separately - refer to Utility Cabinet Accessories for details
- 4" inset toe kick assembly shipped inside 93" and 96" high cabinets - seam will be visible between toe kick box and side of cabinet

Utility Cabinet

12" Deep • 4 Butt Doors • No Shelves



| | A |
|----------|---------|
| 84" High | 26 1/8" |
| 90" High | 32 1/8" |
| 93" High | 35 1/8" |
| 96" High | 38 1/8" |

- | | |
|--------------------|---------------------|
| ■ UT2412 X 84 BUTT | UT2412 X 84 BUTT SD |
| ■ UT2412 X 90 BUTT | UT2412 X 90 BUTT SD |
| ■ UT2412 X 93 BUTT | UT2412 X 93 BUTT SD |
| ■ UT2412 X 96 BUTT | UT2412 X 96 BUTT SD |

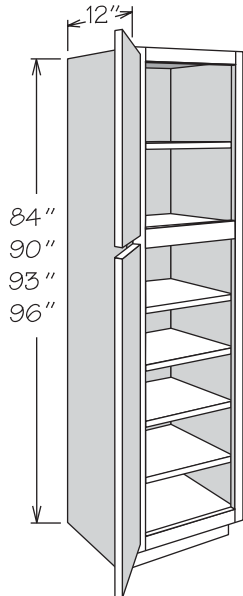
| |
|------|
| APC |
| CFO |
| FE |
| ■ MI |
| PE |
| RD |

- Shelving and optional interior accessories may be ordered separately - refer to Utility Cabinet Accessories for details
- 4" inset toe kick assembly shipped inside 93" and 96" high cabinets - seam will be visible between toe kick box and side of cabinet

Utility Cabinet

12" Deep • 2 Doors • With Adjustable Shelves

NEW! SIZES



| | Number Shelves | |
|----------|----------------|---------------|
| | Top Section | Lower Section |
| 84" High | 1 | 4 |
| 90" High | 2 | 4 |
| 93" High | 3 | 4 |
| 96" High | 3 | 4 |

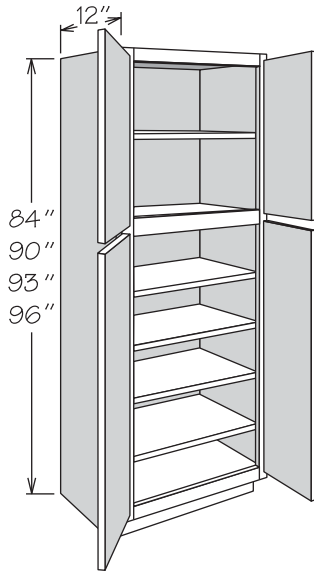
- | | |
|------------------|-------------------|
| ■ UT1212 X 84 AS | UT1212 X 84 AS SD |
| ■ UT1512 X 84 AS | UT1512 X 84 AS SD |
| ■ UT1812 X 84 AS | UT1812 X 84 AS SD |
| ■ UT2112 X 84 AS | UT2112 X 84 AS SD |
| ■ UT1212 X 90 AS | UT1212 X 90 AS SD |
| ■ UT1512 X 90 AS | UT1512 X 90 AS SD |
| ■ UT1812 X 90 AS | UT1812 X 90 AS SD |
| ■ UT2112 X 90 AS | UT2112 X 90 AS SD |
| ■ UT1212 X 93 AS | UT1212 X 93 AS SD |
| ■ UT1512 X 93 AS | UT1512 X 93 AS SD |
| ■ UT1812 X 93 AS | UT1812 X 93 AS SD |
| ■ UT2112 X 93 AS | UT2112 X 93 AS SD |
| ■ UT1212 X 96 AS | UT1212 X 96 AS SD |
| ■ UT1512 X 96 AS | UT1512 X 96 AS SD |
| ■ UT1812 X 96 AS | UT1812 X 96 AS SD |
| ■ UT2112 X 96 AS | UT2112 X 96 AS SD |

| |
|------|
| APC |
| FE |
| ■ MI |
| PE |
| RD |

- Full-depth adjustable shelves are 3/4" engineered wood and edge banded on front edge only
- All shelving packaged separately for field installation
- 4" inset toe kick assembly shipped inside 93" and 96" high cabinets - seam will be visible between toe kick box and side of cabinet

Utility Cabinet

12" Deep • 4 Butt Doors • With Adjustable Shelves



| | Number Shelves Top Section | Number Shelves Lower Section |
|----------|-------------------------------|---------------------------------|
| 84" High | 1 | 4 |
| 90" High | 2 | 4 |
| 93" High | 3 | 4 |
| 96" High | 3 | 4 |

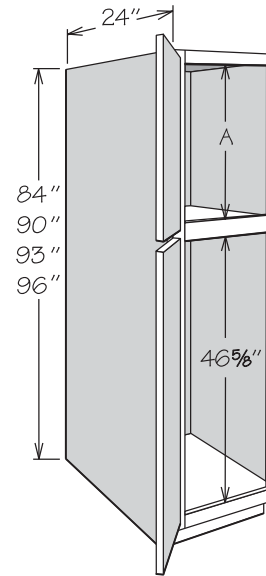
| | | | | | | | |
|-----------------------|------------------------|---|-----|----|----|----|----|
| ■ UT2412 X 84 AS BUTT | UT2412 X 84 AS BUTT SD | <table border="1"> <tr><td>APC</td></tr> <tr><td>FE</td></tr> <tr><td>MI</td></tr> <tr><td>PE</td></tr> <tr><td>RD</td></tr> </table> | APC | FE | MI | PE | RD |
| APC | | | | | | | |
| FE | | | | | | | |
| MI | | | | | | | |
| PE | | | | | | | |
| RD | | | | | | | |
| ■ UT2412 X 90 AS BUTT | UT2412 X 90 AS BUTT SD | | | | | | |
| ■ UT2412 X 93 AS BUTT | UT2412 X 93 AS BUTT SD | | | | | | |
| ■ UT2412 X 96 AS BUTT | UT2412 X 96 AS BUTT SD | | | | | | |

- Full-depth adjustable shelves are 3/4" engineered wood and edge banded on front edge only
- All shelving packaged separately for field installation
- 4" inset toe kick assembly shipped inside 93" and 96" high cabinets - seam will be visible between toe kick box and side of cabinet

Utility Cabinet

24" Deep • 2 Doors • No Shelves

NEW! SIZES



| | A |
|----------|---------|
| 84" High | 26 7/8" |
| 90" High | 32 7/8" |
| 93" High | 35 7/8" |
| 96" High | 38 7/8" |

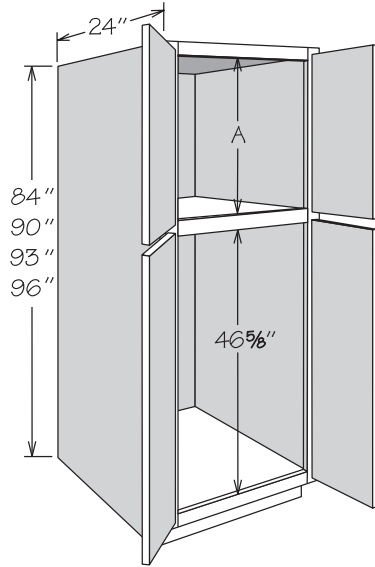
| | | | | | | | | |
|---------------|----------------|---|-----|-----|----|----|----|----|
| ■ UT1224 X 84 | UT1224 X 84 SD | <table border="1"> <tr><td>APC</td></tr> <tr><td>CFO</td></tr> <tr><td>FE</td></tr> <tr><td>MI</td></tr> <tr><td>PE</td></tr> <tr><td>RD</td></tr> </table> | APC | CFO | FE | MI | PE | RD |
| APC | | | | | | | | |
| CFO | | | | | | | | |
| FE | | | | | | | | |
| MI | | | | | | | | |
| PE | | | | | | | | |
| RD | | | | | | | | |
| ■ UT1524 X 84 | UT1524 X 84 SD | | | | | | | |
| ■ UT1824 X 84 | UT1824 X 84 SD | | | | | | | |
| ■ UT2124 X 84 | UT2124 X 84 SD | | | | | | | |
| ■ UT1224 X 90 | UT1224 X 90 SD | | | | | | | |
| ■ UT1524 X 90 | UT1524 X 90 SD | | | | | | | |
| ■ UT1824 X 90 | UT1824 X 90 SD | | | | | | | |
| ■ UT2124 X 90 | UT2124 X 90 SD | | | | | | | |
| ■ UT1224 X 93 | UT1224 X 93 SD | | | | | | | |
| ■ UT1524 X 93 | UT1524 X 93 SD | | | | | | | |
| ■ UT1824 X 93 | UT1824 X 93 SD | | | | | | | |
| ■ UT2124 X 93 | UT2124 X 93 SD | | | | | | | |
| ■ UT1224 X 96 | UT1224 X 96 SD | | | | | | | |
| ■ UT1524 X 96 | UT1524 X 96 SD | | | | | | | |
| ■ UT1824 X 96 | UT1824 X 96 SD | | | | | | | |
| ■ UT2124 X 96 | UT2124 X 96 SD | | | | | | | |

- Shelving and optional interior accessories may be ordered separately - refer to Utility Cabinet Accessories for details
- Cabinet backs are pre-drilled to accept up to four Deep Roll Out Trays in lower section
- 4" inset toe kick assembly shipped inside 93" and 96" high cabinets - seam will be visible between toe kick box and side of cabinet

Utility Cabinet

24" Deep • 4 Butt Doors • No Shelves

NEW! SIZES



| | A |
|----------|---------|
| 84" High | 26 7/8" |
| 90" High | 32 7/8" |
| 93" High | 35 7/8" |
| 96" High | 38 7/8" |

- | | |
|---------------------------|----------------------------|
| ■ UT2424 X 84 BUTT | UT2424 X 84 BUTT SD |
| ■ UT2724 X 84 BUTT | UT2724 X 84 BUTT SD |
| ■ UT3024 X 84 BUTT | UT3024 X 84 BUTT SD |
| ■ UT3324 X 84 BUTT | UT3324 X 84 BUTT SD |
| ■ UT3624 X 84 BUTT | UT3624 X 84 BUTT SD |
| ■ UT2424 X 90 BUTT | UT2424 X 90 BUTT SD |
| ■ UT2724 X 90 BUTT | UT2724 X 90 BUTT SD |
| ■ UT3024 X 90 BUTT | UT3024 X 90 BUTT SD |
| ■ UT3324 X 90 BUTT | UT3324 X 90 BUTT SD |
| ■ UT3624 X 90 BUTT | UT3624 X 90 BUTT SD |
| ■ UT2424 X 93 BUTT | UT2424 X 93 BUTT SD |
| ■ UT2724 X 93 BUTT | UT2724 X 93 BUTT SD |
| ■ UT3024 X 93 BUTT | UT3024 X 93 BUTT SD |
| ■ UT3324 X 93 BUTT | UT3324 X 93 BUTT SD |
| ■ UT3624 X 93 BUTT | UT3624 X 93 BUTT SD |
| ■ UT2424 X 96 BUTT | UT2424 X 96 BUTT SD |
| ■ UT2724 X 96 BUTT | UT2724 X 96 BUTT SD |
| ■ UT3024 X 96 BUTT | UT3024 X 96 BUTT SD |
| ■ UT3324 X 96 BUTT | UT3324 X 96 BUTT SD |
| ■ UT3624 X 96 BUTT | UT3624 X 96 BUTT SD |

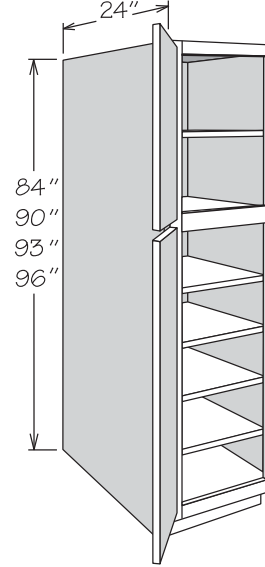
- APC
- CFO
- FE
- MI
- PE
- RD

- Shelving and optional interior accessories may be ordered separately - refer to Utility Cabinet Accessories for details
- Cabinet backs are pre-drilled to accept up to four Deep Roll Out Trays in lower section
- 4" inset toe kick assembly shipped inside 93" and 96" high cabinets - seam will be visible between toe kick box and side of cabinet

Utility Cabinet

24" Deep • 2 Doors • With Adjustable Shelves

NEW! SIZES



| | Number Shelves | Number Shelves |
|----------|----------------|----------------|
| | Top Section | Lower Section |
| 84" High | 1 | 4 |
| 90" High | 2 | 4 |
| 93" High | 3 | 4 |
| 96" High | 3 | 4 |

- | | |
|-------------------------|--------------------------|
| ■ UT1224 X 84 AS | UT1224 X 84 AS SD |
| ■ UT1524 X 84 AS | UT1524 X 84 AS SD |
| ■ UT1824 X 84 AS | UT1824 X 84 AS SD |
| ■ UT2124 X 84 AS | UT2124 X 84 AS SD |
| ■ UT1224 X 90 AS | UT1224 X 90 AS SD |
| ■ UT1524 X 90 AS | UT1524 X 90 AS SD |
| ■ UT1824 X 90 AS | UT1824 X 90 AS SD |
| ■ UT2124 X 90 AS | UT2124 X 90 AS SD |
| ■ UT1224 X 93 AS | UT1224 X 93 AS SD |
| ■ UT1524 X 93 AS | UT1524 X 93 AS SD |
| ■ UT1824 X 93 AS | UT1824 X 93 AS SD |
| ■ UT2124 X 93 AS | UT2124 X 93 AS SD |
| ■ UT1224 X 96 AS | UT1224 X 96 AS SD |
| ■ UT1524 X 96 AS | UT1524 X 96 AS SD |
| ■ UT1824 X 96 AS | UT1824 X 96 AS SD |
| ■ UT2124 X 96 AS | UT2124 X 96 AS SD |

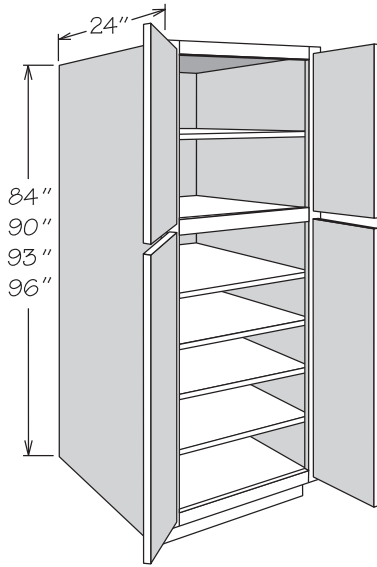
- APC
- FE
- MI
- PE
- RD

- Full-depth adjustable shelves are 3/4" engineered wood and edge banded on front edge only
- All shelving packaged separately for field installation
- 4" inset toe kick assembly shipped inside 93" and 96" high cabinets - seam will be visible between toe kick box and side of cabinet

Utility Cabinet

24" Deep • 4 Butt Doors • With Adjustable Shelves

NEW! SIZES



| | Number Shelves Top Section | Number Shelves Lower Section |
|----------|-------------------------------|---------------------------------|
| 84" High | 1 | 4 |
| 90" High | 2 | 4 |
| 93" High | 3 | 4 |
| 96" High | 3 | 4 |

- | | |
|------------------------------|-------------------------------|
| ■ UT2424 X 84 AS BUTT | UT2424 X 84 AS BUTT SD |
| ■ UT2724 X 84 AS BUTT | UT2724 X 84 AS BUTT SD |
| ■ UT3024 X 84 AS BUTT | UT3024 X 84 AS BUTT SD |
| ■ UT3324 X 84 AS BUTT | UT3324 X 84 AS BUTT SD |
| ■ UT3624 X 84 AS BUTT | UT3624 X 84 AS BUTT SD |
| ■ UT2424 X 90 AS BUTT | UT2424 X 90 AS BUTT SD |
| ■ UT2724 X 90 AS BUTT | UT2724 X 90 AS BUTT SD |
| ■ UT3024 X 90 AS BUTT | UT3024 X 90 AS BUTT SD |
| ■ UT3324 X 90 AS BUTT | UT3324 X 90 AS BUTT SD |
| ■ UT3624 X 90 AS BUTT | UT3624 X 90 AS BUTT SD |
| ■ UT2424 X 93 AS BUTT | UT2424 X 93 AS BUTT SD |
| ■ UT2724 X 93 AS BUTT | UT2724 X 93 AS BUTT SD |
| ■ UT3024 X 93 AS BUTT | UT3024 X 93 AS BUTT SD |
| ■ UT3324 X 93 AS BUTT | UT3324 X 93 AS BUTT SD |
| ■ UT3624 X 93 AS BUTT | UT3624 X 93 AS BUTT SD |
| ■ UT2424 X 96 AS BUTT | UT2424 X 96 AS BUTT SD |
| ■ UT2724 X 96 AS BUTT | UT2724 X 96 AS BUTT SD |
| ■ UT3024 X 96 AS BUTT | UT3024 X 96 AS BUTT SD |
| ■ UT3324 X 96 AS BUTT | UT3324 X 96 AS BUTT SD |
| ■ UT3624 X 96 AS BUTT | UT3624 X 96 AS BUTT SD |

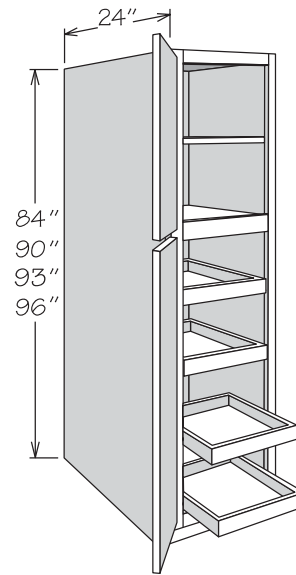
| |
|------|
| APC |
| FE |
| ■ MI |
| PE |
| RD |

- Full-depth adjustable shelves are 3/4" engineered wood and edge banded on front edge only
- All shelving packaged separately for field installation
- 4" inset toe kick assembly shipped inside 93" and 96" high cabinets, 33" wide x 93" high toe kicks ship as two pieces - seam will be visible between toe kick box and side of cabinet

Utility Cabinet

24" Deep • 2 Doors • With Deep Roll Out Trays

NEW! SIZES



| | Number Shelves Top Section | Number Deep Roll Out Trays |
|----------|-------------------------------|-------------------------------|
| 84" High | 1 | 4 |
| 90" High | 2 | 4 |
| 93" High | 3 | 4 |
| 96" High | 3 | 4 |

- | | |
|---------------------------|----------------------------|
| ■ UT1224 X 84 4ROT | UT1224 X 84 4ROT SD |
| ■ UT1524 X 84 4ROT | UT1524 X 84 4ROT SD |
| ■ UT1824 X 84 4ROT | UT1824 X 84 4ROT SD |
| ■ UT2124 X 84 4ROT | UT2124 X 84 4ROT SD |
| ■ UT1224 X 90 4ROT | UT1224 X 90 4ROT SD |
| ■ UT1524 X 90 4ROT | UT1524 X 90 4ROT SD |
| ■ UT1824 X 90 4ROT | UT1824 X 90 4ROT SD |
| ■ UT2124 X 90 4ROT | UT2124 X 90 4ROT SD |
| ■ UT1224 X 93 4ROT | UT1224 X 93 4ROT SD |
| ■ UT1524 X 93 4ROT | UT1524 X 93 4ROT SD |
| ■ UT1824 X 93 4ROT | UT1824 X 93 4ROT SD |
| ■ UT2124 X 93 4ROT | UT2124 X 93 4ROT SD |
| ■ UT1224 X 96 4ROT | UT1224 X 96 4ROT SD |
| ■ UT1524 X 96 4ROT | UT1524 X 96 4ROT SD |
| ■ UT1824 X 96 4ROT | UT1824 X 96 4ROT SD |
| ■ UT2124 X 96 4ROT | UT2124 X 96 4ROT SD |

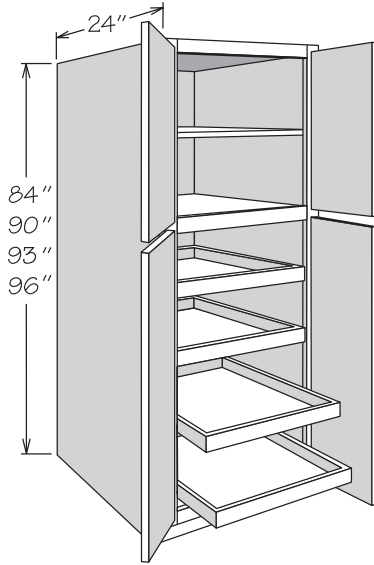
| |
|------|
| APC |
| FE |
| ■ MI |
| PE |
| RD |

- Full-depth adjustable shelves are 3/4" engineered wood and edge banded on front edge only
- All shelving and Deep Roll Out Trays packaged separately for field installation
- 4" inset toe kick assembly shipped inside 93" and 96" high cabinets - seam will be visible between toe kick box and side of cabinet

Utility Cabinet

24" Deep • 4 Butt Doors • With Deep Roll Out Trays

NEW! SIZES



| | Number Shelves Top Section | Number Deep Roll Out Trays |
|----------|-------------------------------|-------------------------------|
| 84" High | 1 | 4 |
| 90" High | 2 | 4 |
| 93" High | 3 | 4 |
| 96" High | 3 | 4 |

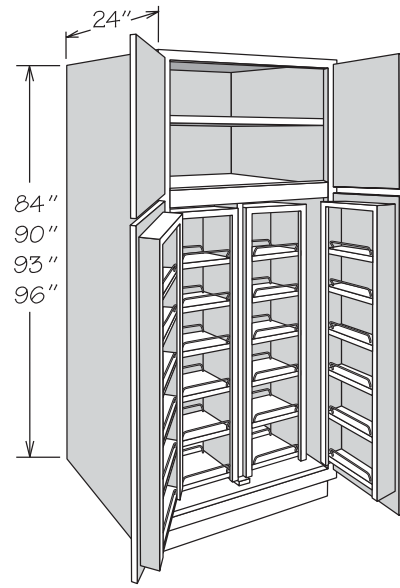
- | | |
|--------------------------------|---------------------------------|
| ■ UT2424 X 84 4ROT BUTT | UT2424 X 84 4ROT BUTT SD |
| ■ UT2724 X 84 4ROT BUTT | UT2724 X 84 4ROT BUTT SD |
| ■ UT3024 X 84 4ROT BUTT | UT3024 X 84 4ROT BUTT SD |
| ■ UT3324 X 84 4ROT BUTT | UT3324 X 84 4ROT BUTT SD |
| ■ UT3624 X 84 4ROT BUTT | UT3624 X 84 4ROT BUTT SD |
| ■ UT2424 X 90 4ROT BUTT | UT2424 X 90 4ROT BUTT SD |
| ■ UT2724 X 90 4ROT BUTT | UT2724 X 90 4ROT BUTT SD |
| ■ UT3024 X 90 4ROT BUTT | UT3024 X 90 4ROT BUTT SD |
| ■ UT3324 X 90 4ROT BUTT | UT3324 X 90 4ROT BUTT SD |
| ■ UT3624 X 90 4ROT BUTT | UT3624 X 90 4ROT BUTT SD |
| ■ UT2424 X 93 4ROT BUTT | UT2424 X 93 4ROT BUTT SD |
| ■ UT2724 X 93 4ROT BUTT | UT2724 X 93 4ROT BUTT SD |
| ■ UT3024 X 93 4ROT BUTT | UT3024 X 93 4ROT BUTT SD |
| ■ UT3324 X 93 4ROT BUTT | UT3324 X 93 4ROT BUTT SD |
| ■ UT3624 X 93 4ROT BUTT | UT3624 X 93 4ROT BUTT SD |
| ■ UT2424 X 96 4ROT BUTT | UT2424 X 96 4ROT BUTT SD |
| ■ UT2724 X 96 4ROT BUTT | UT2724 X 96 4ROT BUTT SD |
| ■ UT3024 X 96 4ROT BUTT | UT3024 X 96 4ROT BUTT SD |
| ■ UT3324 X 96 4ROT BUTT | UT3324 X 96 4ROT BUTT SD |
| ■ UT3624 X 96 4ROT BUTT | UT3624 X 96 4ROT BUTT SD |

| |
|------|
| APC |
| FE |
| ■ MI |
| PE |
| RD |

- Full-depth adjustable shelves are ¾" engineered wood and edge banded on front edge only
- All shelving and Deep Roll Out Trays packaged separately for field installation
- 4" inset toe kick assembly shipped inside 93" and 96" high cabinets - seam will be visible between toe kick box and side of cabinet

Utility Cabinet

24" Deep • 4 Butt Doors
With Pantry Storage



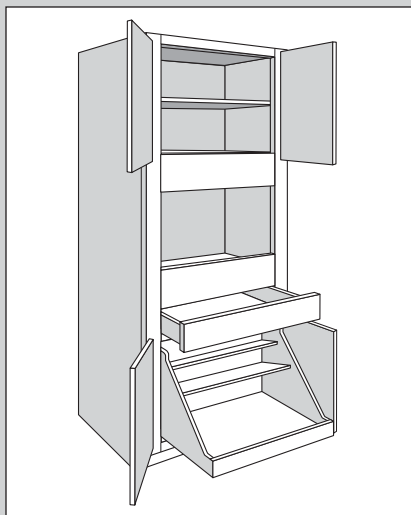
| | Number Shelves Top Section |
|----------|-------------------------------|
| 84" High | 1 |
| 90" High | 2 |
| 93" High | 3 |
| 96" High | 3 |

- | | |
|-------------------------|--------------------------|
| ■ UT3624 X 84 PCDS BUTT | UT3624 X 84 PCDS BUTT SD |
| ■ UT3624 X 90 PCDS BUTT | UT3624 X 90 PCDS BUTT SD |
| ■ UT3624 X 93 PCDS BUTT | UT3624 X 93 PCDS BUTT SD |
| ■ UT3624 X 96 PCDS BUTT | UT3624 X 96 PCDS BUTT SD |

| |
|------|
| APC |
| FE |
| ■ MI |
| PE |

- Accessories and shelving packaged separately for field installation and include:
 - Pantry Swing Out Kit (PCSK36)
 - Two Pantry Door Shelf Kits (PDSK18)
 - Utility Cabinet Shelf and Pilaster Kit (PSK36)
- Full-depth adjustable shelves are ¾" engineered wood and edge banded on front edge only
- 4" inset toe kick assembly shipped inside 93" and 96" high cabinets, 33" wide x 93" high toe kicks ship as two pieces - seam will be visible between toe kick box and side of cabinet
- Minimum filler width of 4½" recommended for installation of this cabinet next to deeper adjacent objects including cabinets, walls, appliances and countertops

Oven Cabinets



Oven cabinets range in size from 27" to 33" wide, from 84" to 96" high and are 24" deep.

Inset toe kick construction requires BTK8 matching toe kick - must be ordered separately.

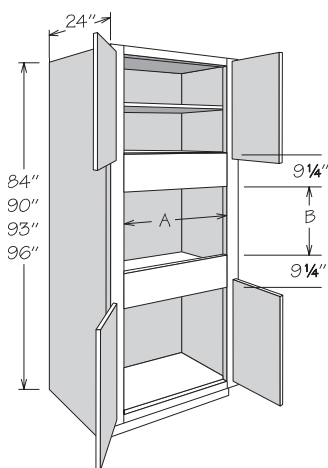
Oven cabinets have 3/8" wide stiles and face-mounted hinges. All oven cabinets feature a solid back.

Shelves are full-depth 3/4" engineered wood and edge banded on front edge only.

Shelves and accessories are packaged separately for field installation.

See page 45 for Ceiling Height Requirements information.

Single Oven Cabinet
4 Butt Doors



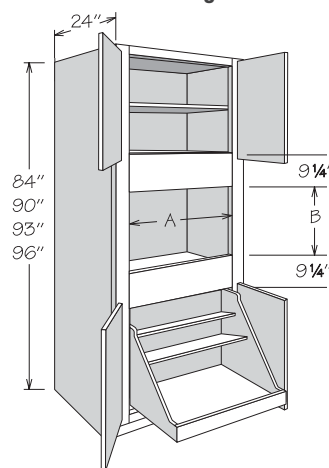
| Cut Out Dimensions | A Actual | A Max. | B Actual | B Max. |
|--------------------|----------|--------|----------|--------|
| 84" High | 0 | | | |
| 90" High | 1 | | | |
| 93" High | 2 | | | |
| 96" High | 2 | | | |

| Cut Out Dimensions | A Actual | A Max. | B Actual | B Max. |
|--------------------|----------|--------|----------|---------|
| OVS2784 BUTT | 20 3/4" | 25" | 22 1/2" | 37 3/8" |
| OVS3084 BUTT | 23 3/4" | 28" | 22 1/2" | 37 3/8" |
| OVS3384 BUTT | 26 3/4" | 31" | 22 1/2" | 37 3/8" |
| OVS2790 AS BUTT | 20 3/4" | 25" | 21 3/4" | 37" |
| OVS3090 AS BUTT | 23 3/4" | 28" | 21 3/4" | 37" |
| OVS3390 AS BUTT | 26 3/4" | 31" | 21 3/4" | 37" |
| OVS2793 AS BUTT | 20 3/4" | 25" | 22 1/2" | 37 3/8" |
| OVS3093 AS BUTT | 23 3/4" | 28" | 22 1/2" | 37 3/8" |
| OVS3393 AS BUTT | 26 3/4" | 31" | 22 1/2" | 37 3/8" |
| OVS2796 AS BUTT | 20 3/4" | 25" | 22 1/2" | 37 3/8" |
| OVS3096 AS BUTT | 23 3/4" | 28" | 22 1/2" | 37 3/8" |
| OVS3396 AS BUTT | 26 3/4" | 31" | 22 1/2" | 37 3/8" |

| | |
|-----------------|-----|
| OVS2784 BUTT | APC |
| OVS3084 BUTT | CFO |
| OVS3384 BUTT | FE |
| OVS2790 AS BUTT | PE |
| OVS3090 AS BUTT | RD |
| OVS3390 AS BUTT | |
| OVS2793 AS BUTT | |
| OVS3093 AS BUTT | |
| OVS3393 AS BUTT | |
| OVS2796 AS BUTT | |
| OVS3096 AS BUTT | |
| OVS3396 AS BUTT | |

- Refer to appliance manufacturer's specifications for adequate clearances and required installation materials
- Heat Shield Kit (HSK) recommended for Duraform thermofoil door styles
- 4" inset toe kick assembly shipped inside 93" and 96" high cabinets, 33" wide x 93" high toe kicks ship as two pieces - seam will be visible between toe kick box and side of cabinet

Single Oven Cabinet
4 Butt Doors
1 Pot & Pan Organizer



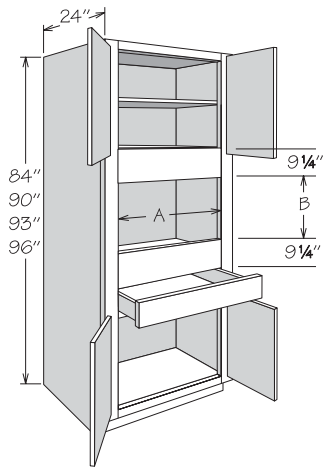
| Cut Out Dimensions | A Actual | A Max. | B Actual | B Max. |
|--------------------|----------|--------|----------|--------|
| 84" High | 0 | | | |
| 90" High | 1 | | | |
| 93" High | 2 | | | |
| 96" High | 2 | | | |

| Cut Out Dimensions | A Actual | A Max. | B Actual | B Max. |
|--------------------|----------|--------|----------|---------|
| OVS2784 BUTT BPP0 | 20 3/4" | 25" | 22 1/2" | 37 3/8" |
| OVS3084 BUTT BPP0 | 23 3/4" | 28" | 22 1/2" | 37 3/8" |
| OVS3384 BUTT BPP0 | 26 3/4" | 31" | 22 1/2" | 37 3/8" |
| OVS2790 BUTT BPP0 | 20 3/4" | 25" | 21 3/4" | 37" |
| OVS3090 BUTT BPP0 | 23 3/4" | 28" | 21 3/4" | 37" |
| OVS3390 BUTT BPP0 | 26 3/4" | 31" | 21 3/4" | 37" |
| OVS2793 BUTT BPP0 | 20 3/4" | 25" | 22 1/2" | 37 3/8" |
| OVS3093 BUTT BPP0 | 23 3/4" | 28" | 22 1/2" | 37 3/8" |
| OVS3393 BUTT BPP0 | 26 3/4" | 31" | 22 1/2" | 37 3/8" |
| OVS2796 BUTT BPP0 | 20 3/4" | 25" | 22 1/2" | 37 3/8" |
| OVS3096 BUTT BPP0 | 23 3/4" | 28" | 22 1/2" | 37 3/8" |
| OVS3396 BUTT BPP0 | 26 3/4" | 31" | 22 1/2" | 37 3/8" |

| | |
|-------------------|-----|
| OVS2784 BUTT BPP0 | APC |
| OVS3084 BUTT BPP0 | FE |
| OVS3384 BUTT BPP0 | PE |
| OVS2790 BUTT BPP0 | |
| OVS3090 BUTT BPP0 | |
| OVS3390 BUTT BPP0 | |
| OVS2793 BUTT BPP0 | |
| OVS3093 BUTT BPP0 | |
| OVS3393 BUTT BPP0 | |
| OVS2796 BUTT BPP0 | |
| OVS3096 BUTT BPP0 | |
| OVS3396 BUTT BPP0 | |

- Organizer in natural finish solid wood and wood veneer construction
- Organizer top shelf measures 6 3/8" deep
- Organizer middle shelf measures 9 3/4" deep
- Refer to appliance manufacturer's specifications for adequate clearances and required installation materials
- Heat Shield Kit (HSK) recommended for Duraform thermofoil door styles
- 4" inset toe kick assembly shipped inside 93" and 96" high cabinets, 33" wide x 93" high toe kicks ship as two pieces - seam will be visible between toe kick box and side of cabinet

Single Oven Cabinet
4 Butt Doors • 1 Drawer



Number Shelves

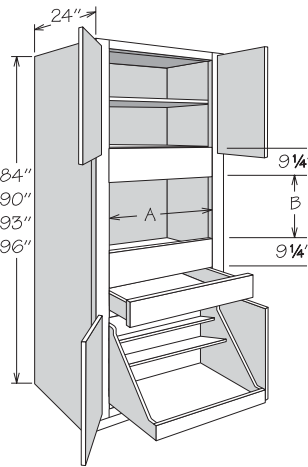
| | |
|----------|---|
| 84" High | 0 |
| 90" High | 1 |
| 93" High | 2 |
| 96" High | 2 |

| Cut Out Dimensions | A | | B | |
|----------------------|---------|------|---------|---------|
| | Actual | Max. | Actual | Max. |
| OVS2784 BUTT 1DWR | 20 3/4" | 25" | 16 1/2" | 31 3/8" |
| OVS3084 BUTT 1DWR | 23 3/4" | 28" | 16 1/2" | 31 3/8" |
| OVS3384 BUTT 1DWR | 26 3/4" | 31" | 16 1/2" | 31 3/8" |
| OVS2790 AS BUTT 1DWR | 20 3/4" | 25" | 15 3/4" | 31" |
| OVS3090 AS BUTT 1DWR | 23 3/4" | 28" | 15 3/4" | 31" |
| OVS3390 AS BUTT 1DWR | 26 3/4" | 31" | 15 3/4" | 31" |
| OVS2793 AS BUTT 1DWR | 20 3/4" | 25" | 16 1/2" | 31 3/8" |
| OVS3093 AS BUTT 1DWR | 23 3/4" | 28" | 16 1/2" | 31 3/8" |
| OVS3393 AS BUTT 1DWR | 26 3/4" | 31" | 16 1/2" | 31 3/8" |
| OVS2796 AS BUTT 1DWR | 20 3/4" | 25" | 16 1/2" | 31 3/8" |
| OVS3096 AS BUTT 1DWR | 23 3/4" | 28" | 16 1/2" | 31 3/8" |
| OVS3396 AS BUTT 1DWR | 26 3/4" | 31" | 16 1/2" | 31 3/8" |

| | |
|----------------------|-----|
| OVS2784 BUTT 1DWR | APC |
| OVS3084 BUTT 1DWR | CFO |
| OVS3384 BUTT 1DWR | FE |
| | PE |
| | RD |
| OVS2790 AS BUTT 1DWR | |
| OVS3090 AS BUTT 1DWR | |
| OVS3390 AS BUTT 1DWR | |
| OVS2793 AS BUTT 1DWR | |
| OVS3093 AS BUTT 1DWR | |
| OVS3393 AS BUTT 1DWR | |
| OVS2796 AS BUTT 1DWR | |
| OVS3096 AS BUTT 1DWR | |
| OVS3396 AS BUTT 1DWR | |

- One standard drawer
- Refer to appliance manufacturer's specifications for adequate clearances and required installation materials
- Heat Shield Kit (HSK) recommended for Duraform thermofoil door styles
- 4" inset toe kick assembly shipped inside 93" and 96" high cabinets, 33" wide x 93" high toe kicks ship as two pieces - seam will be visible between toe kick box and side of cabinet

Single Oven Cabinet
4 Butt Doors • 1 Drawer
1 Pot & Pan Organizer



Number Shelves

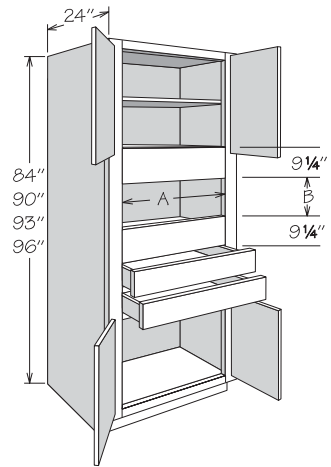
| | |
|----------|---|
| 84" High | 0 |
| 90" High | 1 |
| 93" High | 2 |
| 96" High | 2 |

| Cut Out Dimensions | A | | B | |
|------------------------|---------|------|---------|---------|
| | Actual | Max. | Actual | Max. |
| OVS2784 BUTT 1DWR BPPO | 20 3/4" | 25" | 16 1/2" | 31 3/8" |
| OVS3084 BUTT 1DWR BPPO | 23 3/4" | 28" | 16 1/2" | 31 3/8" |
| OVS3384 BUTT 1DWR BPPO | 26 3/4" | 31" | 16 1/2" | 31 3/8" |
| OVS2790 BUTT 1DWR BPPO | 20 3/4" | 25" | 15 3/4" | 31" |
| OVS3090 BUTT 1DWR BPPO | 23 3/4" | 28" | 15 3/4" | 31" |
| OVS3390 BUTT 1DWR BPPO | 26 3/4" | 31" | 15 3/4" | 31" |
| OVS2793 BUTT 1DWR BPPO | 20 3/4" | 25" | 16 1/2" | 31 3/8" |
| OVS3093 BUTT 1DWR BPPO | 23 3/4" | 28" | 16 1/2" | 31 3/8" |
| OVS3393 BUTT 1DWR BPPO | 26 3/4" | 31" | 16 1/2" | 31 3/8" |
| OVS2796 BUTT 1DWR BPPO | 20 3/4" | 25" | 16 1/2" | 31 3/8" |
| OVS3096 BUTT 1DWR BPPO | 23 3/4" | 28" | 16 1/2" | 31 3/8" |
| OVS3396 BUTT 1DWR BPPO | 26 3/4" | 31" | 16 1/2" | 31 3/8" |

| | |
|------------------------|-----|
| OVS2784 BUTT 1DWR BPPO | APC |
| OVS3084 BUTT 1DWR BPPO | FE |
| OVS3384 BUTT 1DWR BPPO | PE |
| OVS2790 BUTT 1DWR BPPO | |
| OVS3090 BUTT 1DWR BPPO | |
| OVS3390 BUTT 1DWR BPPO | |
| OVS2793 BUTT 1DWR BPPO | |
| OVS3093 BUTT 1DWR BPPO | |
| OVS3393 BUTT 1DWR BPPO | |
| OVS2796 BUTT 1DWR BPPO | |
| OVS3096 BUTT 1DWR BPPO | |
| OVS3396 BUTT 1DWR BPPO | |

- One standard drawer
- Organizer in natural finish solid wood and wood veneer construction
- Organizer top shelf measures 6 3/8" deep
- Organizer middle shelf measures 9 3/4" deep
- Refer to appliance manufacturer's specifications for adequate clearances and required installation materials
- Heat Shield Kit (HSK) recommended for Duraform thermofoil door styles
- 4" inset toe kick assembly shipped inside 93" and 96" high cabinets, 33" wide x 93" high toe kicks ship as two pieces - seam will be visible between toe kick box and side of cabinet

Single Oven Cabinet
4 Butt Doors • 2 Drawers



Number Shelves

| | |
|----------|---|
| 84" High | 0 |
| 90" High | 1 |
| 93" High | 2 |
| 96" High | 2 |

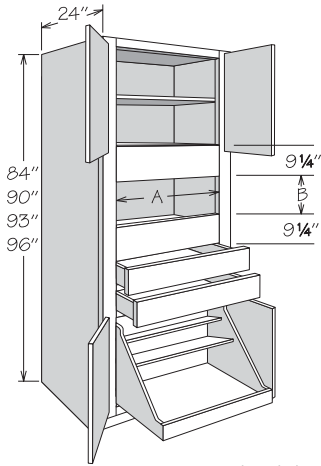
| Cut Out Dimensions | A | | B | |
|----------------------|---------|------|---------|---------|
| | Actual | Max. | Actual | Max. |
| OVS2784 BUTT 2DWR | 20 3/4" | 25" | 10 1/2" | 25 3/8" |
| OVS3084 BUTT 2DWR | 23 3/4" | 28" | 10 1/2" | 25 3/8" |
| OVS3384 BUTT 2DWR | 26 3/4" | 31" | 10 1/2" | 25 3/8" |
| OVS2790 AS BUTT 2DWR | 20 3/4" | 25" | 9 3/4" | 25" |
| OVS3090 AS BUTT 2DWR | 23 3/4" | 28" | 9 3/4" | 25" |
| OVS3390 AS BUTT 2DWR | 26 3/4" | 31" | 9 3/4" | 25" |
| OVS2793 AS BUTT 2DWR | 20 3/4" | 25" | 10 1/2" | 25 3/8" |
| OVS3093 AS BUTT 2DWR | 23 3/4" | 28" | 10 1/2" | 25 3/8" |
| OVS3393 AS BUTT 2DWR | 26 3/4" | 31" | 10 1/2" | 25 3/8" |
| OVS2796 AS BUTT 2DWR | 20 3/4" | 25" | 10 1/2" | 25 3/8" |
| OVS3096 AS BUTT 2DWR | 23 3/4" | 28" | 10 1/2" | 25 3/8" |
| OVS3396 AS BUTT 2DWR | 26 3/4" | 31" | 10 1/2" | 25 3/8" |

| | |
|----------------------|-----|
| OVS2784 BUTT 2DWR | APC |
| OVS3084 BUTT 2DWR | CFO |
| OVS3384 BUTT 2DWR | FE |
| | PE |
| | RD |
| OVS2790 AS BUTT 2DWR | |
| OVS3090 AS BUTT 2DWR | |
| OVS3390 AS BUTT 2DWR | |
| OVS2793 AS BUTT 2DWR | |
| OVS3093 AS BUTT 2DWR | |
| OVS3393 AS BUTT 2DWR | |
| OVS2796 AS BUTT 2DWR | |
| OVS3096 AS BUTT 2DWR | |
| OVS3396 AS BUTT 2DWR | |

- Two standard drawers
- Refer to appliance manufacturer's specifications for adequate clearances and required installation materials
- Heat Shield Kit (HSK) recommended for Duraform thermofoil door styles
- 4" inset toe kick assembly shipped inside 93" and 96" high cabinets, 33" wide x 93" high toe kicks ship as two pieces - seam will be visible between toe kick box and side of cabinet

Single Oven Cabinet

4 Butt Doors • 2 Drawers
1 Pot & Pan Organizer



Number Shelves

| | |
|----------|---|
| 84" High | 0 |
| 90" High | 1 |
| 93" High | 2 |
| 96" High | 2 |

| Cut Out Dimensions | A | | B | |
|------------------------|---------|------|---------|---------|
| | Actual | Max. | Actual | Max. |
| OVS2784 BUTT 2DWR BPPO | 20 3/4" | 25" | 10 1/8" | 25 3/8" |
| OVS3084 BUTT 2DWR BPPO | 23 3/4" | 28" | 10 1/8" | 25 3/8" |
| OVS3384 BUTT 2DWR BPPO | 26 3/4" | 31" | 10 1/8" | 25 3/8" |
| OVS2790 BUTT 2DWR BPPO | 20 3/4" | 25" | 9 3/4" | 25" |
| OVS3090 BUTT 2DWR BPPO | 23 3/4" | 28" | 9 3/4" | 25" |
| OVS3390 BUTT 2DWR BPPO | 26 3/4" | 31" | 9 3/4" | 25" |
| OVS2793 BUTT 2DWR BPPO | 20 3/4" | 25" | 10 1/8" | 25 3/8" |
| OVS3093 BUTT 2DWR BPPO | 23 3/4" | 28" | 10 1/8" | 25 3/8" |
| OVS3393 BUTT 2DWR BPPO | 26 3/4" | 31" | 10 1/8" | 25 3/8" |
| OVS2796 BUTT 2DWR BPPO | 20 3/4" | 25" | 10 1/8" | 25 3/8" |
| OVS3096 BUTT 2DWR BPPO | 23 3/4" | 28" | 10 1/8" | 25 3/8" |
| OVS3396 BUTT 2DWR BPPO | 26 3/4" | 31" | 10 1/8" | 25 3/8" |

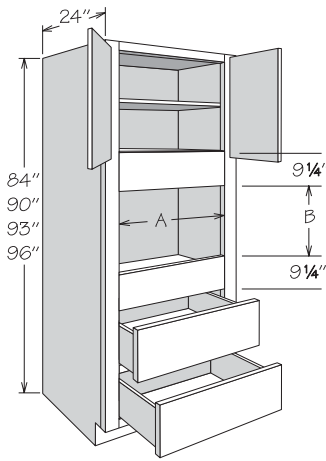
| |
|-----|
| APC |
| FE |
| PE |

- OVS2784 BUTT 2DWR BPPO
- OVS3084 BUTT 2DWR BPPO
- OVS3384 BUTT 2DWR BPPO
- OVS2790 BUTT 2DWR BPPO
- OVS3090 BUTT 2DWR BPPO
- OVS3390 BUTT 2DWR BPPO
- OVS2793 BUTT 2DWR BPPO
- OVS3093 BUTT 2DWR BPPO
- OVS3393 BUTT 2DWR BPPO
- OVS2796 BUTT 2DWR BPPO
- OVS3096 BUTT 2DWR BPPO
- OVS3396 BUTT 2DWR BPPO

- Two standard drawers
- Organizer in natural finish solid wood and wood veneer construction
- Organizer top shelf measures 6 3/8" deep
- Organizer middle shelf measures 9 3/4" deep
- Refer to appliance manufacturer's specifications for adequate clearances and required installation materials
- Heat Shield Kit (HSK) recommended for Duraform thermofoil door styles
- 4" inset toe kick assembly shipped inside 93" and 96" high cabinets, 33" wide x 93" high toe kicks ship as two pieces - seam will be visible between toe kick box and side of cabinet

Single Oven Cabinet

2 Butt Doors • 2 Large Drawers



Number Shelves

| | |
|----------|---|
| 84" High | 0 |
| 90" High | 1 |
| 93" High | 2 |
| 96" High | 2 |

| Cut Out Dimensions | A | | B | |
|-----------------------|---------|------|---------|---------|
| | Actual | Max. | Actual | Max. |
| OVS2784 BUTT 2DDWR | 20 3/4" | 25" | 22 1/4" | 37 3/8" |
| OVS3084 BUTT 2DDWR | 23 3/4" | 28" | 22 1/4" | 37 3/8" |
| OVS3384 BUTT 2DDWR | 26 3/4" | 31" | 22 1/4" | 37 3/8" |
| OVS2790 AS BUTT 2DDWR | 20 3/4" | 25" | 21 1/4" | 37" |
| OVS3090 AS BUTT 2DDWR | 23 3/4" | 28" | 21 1/4" | 37" |
| OVS3390 AS BUTT 2DDWR | 26 3/4" | 31" | 21 1/4" | 37" |
| OVS2793 AS BUTT 2DDWR | 20 3/4" | 25" | 22 1/4" | 37 3/8" |
| OVS3093 AS BUTT 2DDWR | 23 3/4" | 28" | 22 1/4" | 37 3/8" |
| OVS3393 AS BUTT 2DDWR | 26 3/4" | 31" | 22 1/4" | 37 3/8" |
| OVS2796 AS BUTT 2DDWR | 20 3/4" | 25" | 22 1/4" | 37 3/8" |
| OVS3096 AS BUTT 2DDWR | 23 3/4" | 28" | 22 1/4" | 37 3/8" |
| OVS3396 AS BUTT 2DDWR | 26 3/4" | 31" | 22 1/4" | 37 3/8" |

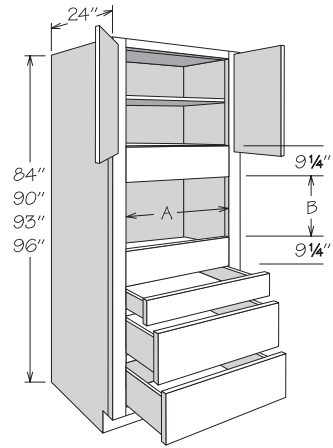
| |
|-----|
| APC |
| CFO |
| FE |
| PE |
| RD |

- OVS2784 BUTT 2DDWR
- OVS3084 BUTT 2DDWR
- OVS3384 BUTT 2DDWR
- OVS2790 AS BUTT 2DDWR
- OVS3090 AS BUTT 2DDWR
- OVS3390 AS BUTT 2DDWR
- OVS2793 AS BUTT 2DDWR
- OVS3093 AS BUTT 2DDWR
- OVS3393 AS BUTT 2DDWR
- OVS2796 AS BUTT 2DDWR
- OVS3096 AS BUTT 2DDWR
- OVS3396 AS BUTT 2DDWR

- Two large drawers
- Refer to appliance manufacturer's specifications for adequate clearances and required installation materials
- Heat Shield Kit (HSK) recommended for Duraform thermofoil door styles
- 4" inset toe kick assembly shipped inside 93" and 96" high cabinets, 33" wide x 93" high toe kicks ship as two pieces - seam will be visible between toe kick box and side of cabinet

Single Oven Cabinet

2 Butt Doors • 3 Drawers



Number Shelves

| | |
|----------|---|
| 84" High | 0 |
| 90" High | 1 |
| 93" High | 2 |
| 96" High | 2 |

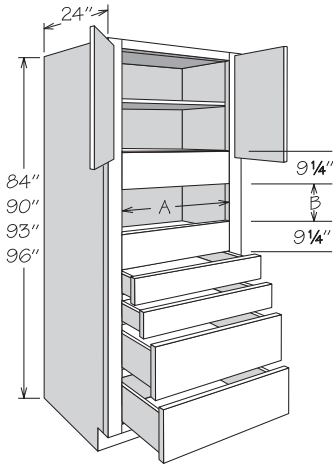
| Cut Out Dimensions | A | | B | |
|----------------------|---------|------|---------|---------|
| | Actual | Max. | Actual | Max. |
| OVS2784 BUTT 3DWR | 20 3/4" | 25" | 16 1/8" | 31 3/8" |
| OVS3084 BUTT 3DWR | 23 3/4" | 28" | 16 1/8" | 31 3/8" |
| OVS3384 BUTT 3DWR | 26 3/4" | 31" | 16 1/8" | 31 3/8" |
| OVS2790 AS BUTT 3DWR | 20 3/4" | 25" | 15 3/4" | 31" |
| OVS3090 AS BUTT 3DWR | 23 3/4" | 28" | 15 3/4" | 31" |
| OVS3390 AS BUTT 3DWR | 26 3/4" | 31" | 15 3/4" | 31" |
| OVS2793 AS BUTT 3DWR | 20 3/4" | 25" | 16 1/8" | 31 3/8" |
| OVS3093 AS BUTT 3DWR | 23 3/4" | 28" | 16 1/8" | 31 3/8" |
| OVS3393 AS BUTT 3DWR | 26 3/4" | 31" | 16 1/8" | 31 3/8" |
| OVS2796 AS BUTT 3DWR | 20 3/4" | 25" | 16 1/8" | 31 3/8" |
| OVS3096 AS BUTT 3DWR | 23 3/4" | 28" | 16 1/8" | 31 3/8" |
| OVS3396 AS BUTT 3DWR | 26 3/4" | 31" | 16 1/8" | 31 3/8" |

| |
|-----|
| APC |
| CFO |
| FE |
| PE |
| RD |

- OVS2784 BUTT 3DWR
- OVS3084 BUTT 3DWR
- OVS3384 BUTT 3DWR
- OVS2790 AS BUTT 3DWR
- OVS3090 AS BUTT 3DWR
- OVS3390 AS BUTT 3DWR
- OVS2793 AS BUTT 3DWR
- OVS3093 AS BUTT 3DWR
- OVS3393 AS BUTT 3DWR
- OVS2796 AS BUTT 3DWR
- OVS3096 AS BUTT 3DWR
- OVS3396 AS BUTT 3DWR

- One standard and two large drawers
- Refer to appliance manufacturer's specifications for adequate clearances and required installation materials
- Heat Shield Kit (HSK) recommended for Duraform thermofoil door styles
- 4" inset toe kick assembly shipped inside 93" and 96" high cabinets, 33" wide x 93" high toe kicks ship as two pieces - seam will be visible between toe kick box and side of cabinet

Single Oven Cabinet
2 Butt Doors • 4 Drawers



Number Shelves

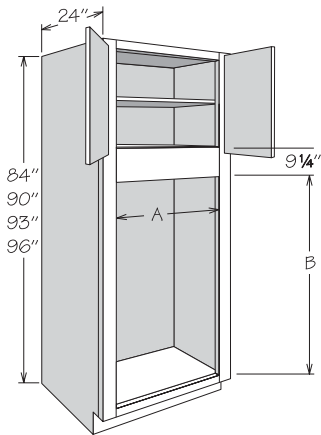
| | |
|----------|---|
| 84" High | 0 |
| 90" High | 1 |
| 93" High | 2 |
| 96" High | 2 |

| Cut Out Dimensions | A | | B | |
|----------------------|---------|------|---------|---------|
| | Actual | Max. | Actual | Max. |
| OVS2784 BUTT 4DWR | 20 3/4" | 25" | 10 1/8" | 25 3/8" |
| OVS3084 BUTT 4DWR | 23 3/4" | 28" | 10 1/8" | 25 3/8" |
| OVS3384 BUTT 4DWR | 26 3/4" | 31" | 10 1/8" | 25 3/8" |
| OVS2790 AS BUTT 4DWR | 20 3/4" | 25" | 9 3/4" | 25" |
| OVS3090 AS BUTT 4DWR | 23 3/4" | 28" | 9 3/4" | 25" |
| OVS3390 AS BUTT 4DWR | 26 3/4" | 31" | 9 3/4" | 25" |
| OVS2793 AS BUTT 4DWR | 20 3/4" | 25" | 10 1/8" | 25 3/8" |
| OVS3093 AS BUTT 4DWR | 23 3/4" | 28" | 10 1/8" | 25 3/8" |
| OVS3393 AS BUTT 4DWR | 26 3/4" | 31" | 10 1/8" | 25 3/8" |
| OVS2796 AS BUTT 4DWR | 20 3/4" | 25" | 10 1/8" | 25 3/8" |
| OVS3096 AS BUTT 4DWR | 23 3/4" | 28" | 10 1/8" | 25 3/8" |
| OVS3396 AS BUTT 4DWR | 26 3/4" | 31" | 10 1/8" | 25 3/8" |

| | |
|----------------------|-----|
| OVS2784 BUTT 4DWR | APC |
| OVS3084 BUTT 4DWR | CFO |
| OVS3384 BUTT 4DWR | FE |
| | PE |
| | RD |
| OVS2790 AS BUTT 4DWR | |
| OVS3090 AS BUTT 4DWR | |
| OVS3390 AS BUTT 4DWR | |
| OVS2793 AS BUTT 4DWR | |
| OVS3093 AS BUTT 4DWR | |
| OVS3393 AS BUTT 4DWR | |
| OVS2796 AS BUTT 4DWR | |
| OVS3096 AS BUTT 4DWR | |
| OVS3396 AS BUTT 4DWR | |

- Two standard and two large drawers
- Refer to appliance manufacturer's specifications for adequate clearances and required installation materials
- Heat Shield Kit (HSK) recommended for Duraform thermofoil door styles
- 4" inset toe kick assembly shipped inside 93" and 96" high cabinets, 33" wide x 93" high toe kicks ship as two pieces - seam will be visible between toe kick box and side of cabinet

Double Oven Cabinet
2 Butt Doors • No Drawer



Number Shelves

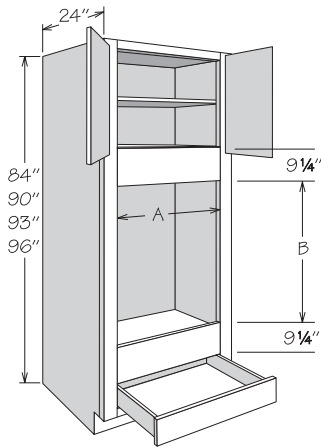
| | |
|----------|---|
| 84" High | 0 |
| 90" High | 1 |
| 93" High | 2 |
| 96" High | 2 |

| Cut Out Dimensions | A | | B | |
|----------------------|---------|------|---------|---------|
| | Actual | Max. | Actual | Max. |
| OVD2784 BUTT NDWR | 20 3/4" | 25" | 52 3/8" | 60 1/4" |
| OVD3084 BUTT NDWR | 23 3/4" | 28" | 52 3/8" | 60 1/4" |
| OVD3384 BUTT NDWR | 26 3/4" | 31" | 52 3/8" | 60 1/4" |
| OVD2790 AS BUTT NDWR | 20 3/4" | 25" | 52 1/4" | 59 7/8" |
| OVD3090 AS BUTT NDWR | 23 3/4" | 28" | 52 1/4" | 59 7/8" |
| OVD3390 AS BUTT NDWR | 26 3/4" | 31" | 52 1/4" | 59 7/8" |
| OVD2793 AS BUTT NDWR | 20 3/4" | 25" | 52 3/8" | 60 1/4" |
| OVD3093 AS BUTT NDWR | 23 3/4" | 28" | 52 3/8" | 60 1/4" |
| OVD3393 AS BUTT NDWR | 26 3/4" | 31" | 52 3/8" | 60 1/4" |
| OVD2796 AS BUTT NDWR | 20 3/4" | 25" | 52 3/8" | 60 1/4" |
| OVD3096 AS BUTT NDWR | 23 3/4" | 28" | 52 3/8" | 60 1/4" |
| OVD3396 AS BUTT NDWR | 26 3/4" | 31" | 52 3/8" | 60 1/4" |

| | | | | | |
|----------------------|---|-----|-----|----|----|
| OVD2784 BUTT NDWR | <table border="1"> <tr><td>APC</td></tr> <tr><td>CFO</td></tr> <tr><td>FE</td></tr> <tr><td>RD</td></tr> </table> | APC | CFO | FE | RD |
| APC | | | | | |
| CFO | | | | | |
| FE | | | | | |
| RD | | | | | |
| OVD3084 BUTT NDWR | | | | | |
| OVD3384 BUTT NDWR | | | | | |
| OVD2790 AS BUTT NDWR | | | | | |
| OVD3090 AS BUTT NDWR | | | | | |
| OVD3390 AS BUTT NDWR | | | | | |
| OVD2793 AS BUTT NDWR | | | | | |
| OVD3093 AS BUTT NDWR | | | | | |
| OVD3393 AS BUTT NDWR | | | | | |
| OVD2796 AS BUTT NDWR | | | | | |
| OVD3096 AS BUTT NDWR | | | | | |
| OVD3396 AS BUTT NDWR | | | | | |

- No drawer
- Refer to appliance manufacturer's specifications for adequate clearances and required installation materials
- Heat Shield Kit (HSK) recommended for Duraform thermofoil door styles
- 4" inset toe kick assembly shipped inside 93" and 96" high cabinets, 33" wide x 93" high toe kicks ship as two pieces - seam will be visible between toe kick box and side of cabinet

Double Oven Cabinet
2 Butt Doors • 1 Drawer



Number Shelves

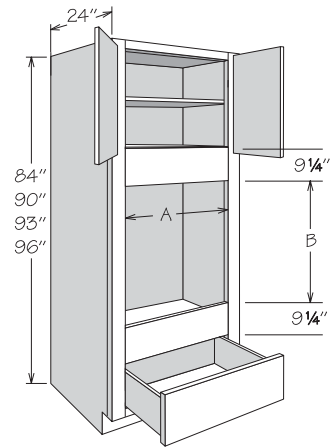
| | |
|----------|---|
| 84" High | 0 |
| 90" High | 1 |
| 93" High | 2 |
| 96" High | 2 |

| Cut Out Dimensions | A | | B | |
|--------------------|---------|------|---------|---------|
| | Actual | Max. | Actual | Max. |
| OVD2784 BUTT | 20 3/4" | 25" | 39" | 54 1/4" |
| OVD3084 BUTT | 23 3/4" | 28" | 39" | 54 1/4" |
| OVD3384 BUTT | 26 3/4" | 31" | 39" | 54 1/4" |
| OVD2790 AS BUTT | 20 3/4" | 25" | 38 5/8" | 53 7/8" |
| OVD3090 AS BUTT | 23 3/4" | 28" | 38 5/8" | 53 7/8" |
| OVD3390 AS BUTT | 26 3/4" | 31" | 38 5/8" | 53 7/8" |
| OVD2793 AS BUTT | 20 3/4" | 25" | 39" | 54 1/4" |
| OVD3093 AS BUTT | 23 3/4" | 28" | 39" | 54 1/4" |
| OVD3393 AS BUTT | 26 3/4" | 31" | 39" | 54 1/4" |
| OVD2796 AS BUTT | 20 3/4" | 25" | 39" | 54 1/4" |
| OVD3096 AS BUTT | 23 3/4" | 28" | 39" | 54 1/4" |
| OVD3396 AS BUTT | 26 3/4" | 31" | 39" | 54 1/4" |

| | | | | | |
|-----------------|---|-----|-----|----|----|
| OVD2784 BUTT | <table border="1"> <tr><td>APC</td></tr> <tr><td>CFO</td></tr> <tr><td>FE</td></tr> <tr><td>RD</td></tr> </table> | APC | CFO | FE | RD |
| APC | | | | | |
| CFO | | | | | |
| FE | | | | | |
| RD | | | | | |
| OVD3084 BUTT | | | | | |
| OVD3384 BUTT | | | | | |
| OVD2790 AS BUTT | | | | | |
| OVD3090 AS BUTT | | | | | |
| OVD3390 AS BUTT | | | | | |
| OVD2793 AS BUTT | | | | | |
| OVD3093 AS BUTT | | | | | |
| OVD3393 AS BUTT | | | | | |
| OVD2796 AS BUTT | | | | | |
| OVD3096 AS BUTT | | | | | |
| OVD3396 AS BUTT | | | | | |

- One standard drawer
- Refer to appliance manufacturer's specifications for adequate clearances and required installation materials
- Heat Shield Kit (HSK) recommended for Duraform thermofoil door styles
- 4" inset toe kick assembly shipped inside 93" and 96" high cabinets, 33" wide x 93" high toe kicks ship as two pieces - seam will be visible between toe kick box and side of cabinet

Double Oven Cabinet
2 Butt Doors • 1 Large Drawer



Number Shelves

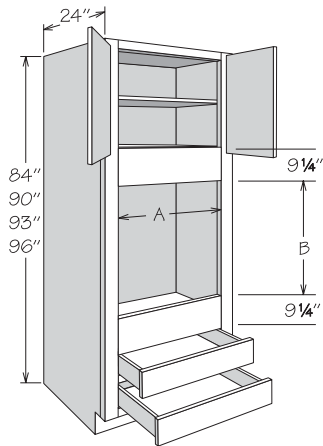
| | |
|----------|---|
| 84" High | 0 |
| 90" High | 1 |
| 93" High | 2 |
| 96" High | 2 |

| Cut Out Dimensions | A | | B | |
|-----------------------|---------|------|---------|---------|
| | Actual | Max. | Actual | Max. |
| OVD2784 BUTT 1DDWR | 20 3/4" | 25" | 33 3/8" | 48 3/8" |
| OVD3084 BUTT 1DDWR | 23 3/4" | 28" | 33 3/8" | 48 3/8" |
| OVD3384 BUTT 1DDWR | 26 3/4" | 31" | 33 3/8" | 48 3/8" |
| OVD2790 AS BUTT 1DDWR | 20 3/4" | 25" | 33 3/8" | 48 7/8" |
| OVD3090 AS BUTT 1DDWR | 23 3/4" | 28" | 33 3/8" | 48 7/8" |
| OVD3390 AS BUTT 1DDWR | 26 3/4" | 31" | 33 3/8" | 48 7/8" |
| OVD2793 AS BUTT 1DDWR | 20 3/4" | 25" | 33 3/8" | 48 3/8" |
| OVD3093 AS BUTT 1DDWR | 23 3/4" | 28" | 33 3/8" | 48 3/8" |
| OVD3393 AS BUTT 1DDWR | 26 3/4" | 31" | 33 3/8" | 48 3/8" |
| OVD2796 AS BUTT 1DDWR | 20 3/4" | 25" | 33 3/8" | 48 3/8" |
| OVD3096 AS BUTT 1DDWR | 23 3/4" | 28" | 33 3/8" | 48 3/8" |
| OVD3396 AS BUTT 1DDWR | 26 3/4" | 31" | 33 3/8" | 48 3/8" |

| | | | | | |
|-----------------------|---|-----|-----|----|----|
| OVD2784 BUTT 1DDWR | <table border="1"> <tr><td>APC</td></tr> <tr><td>CFO</td></tr> <tr><td>FE</td></tr> <tr><td>RD</td></tr> </table> | APC | CFO | FE | RD |
| APC | | | | | |
| CFO | | | | | |
| FE | | | | | |
| RD | | | | | |
| OVD3084 BUTT 1DDWR | | | | | |
| OVD3384 BUTT 1DDWR | | | | | |
| OVD2790 AS BUTT 1DDWR | | | | | |
| OVD3090 AS BUTT 1DDWR | | | | | |
| OVD3390 AS BUTT 1DDWR | | | | | |
| OVD2793 AS BUTT 1DDWR | | | | | |
| OVD3093 AS BUTT 1DDWR | | | | | |
| OVD3393 AS BUTT 1DDWR | | | | | |
| OVD2796 AS BUTT 1DDWR | | | | | |
| OVD3096 AS BUTT 1DDWR | | | | | |
| OVD3396 AS BUTT 1DDWR | | | | | |

- One large drawer
- Refer to appliance manufacturer's specifications for adequate clearances and required installation materials
- Heat Shield Kit (HSK) recommended for Duraform thermofoil door styles
- 4" inset toe kick assembly shipped inside 93" and 96" high cabinets, 33" wide x 93" high toe kicks ship as two pieces - seam will be visible between toe kick box and side of cabinet

Double Oven Cabinet
2 Butt Doors • 2 Drawers



Number Shelves

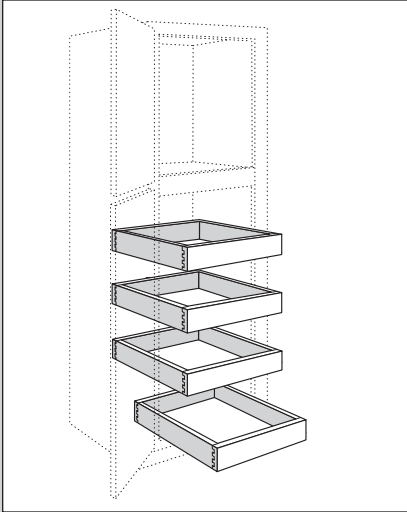
| | |
|----------|---|
| 84" High | 0 |
| 90" High | 1 |
| 93" High | 2 |
| 96" High | 2 |

| Cut Out Dimensions | A | | B | |
|----------------------|---------|------|---------|---------|
| | Actual | Max. | Actual | Max. |
| OVD2784 BUTT 2DWR | 20 3/4" | 25" | 33" | 48 1/4" |
| OVD3084 BUTT 2DWR | 23 3/4" | 28" | 33" | 48 1/4" |
| OVD3384 BUTT 2DWR | 26 3/4" | 31" | 33" | 48 1/4" |
| OVD2790 AS BUTT 2DWR | 20 3/4" | 25" | 32 5/8" | 47 7/8" |
| OVD3090 AS BUTT 2DWR | 23 3/4" | 28" | 32 5/8" | 47 7/8" |
| OVD3390 AS BUTT 2DWR | 26 3/4" | 31" | 32 5/8" | 47 7/8" |
| OVD2793 AS BUTT 2DWR | 20 3/4" | 25" | 33" | 48 1/4" |
| OVD3093 AS BUTT 2DWR | 23 3/4" | 28" | 33" | 48 1/4" |
| OVD3393 AS BUTT 2DWR | 26 3/4" | 31" | 33" | 48 1/4" |
| OVD2796 AS BUTT 2DWR | 20 3/4" | 25" | 33" | 48 1/4" |
| OVD3096 AS BUTT 2DWR | 23 3/4" | 28" | 33" | 48 1/4" |
| OVD3396 AS BUTT 2DWR | 26 3/4" | 31" | 33" | 48 1/4" |

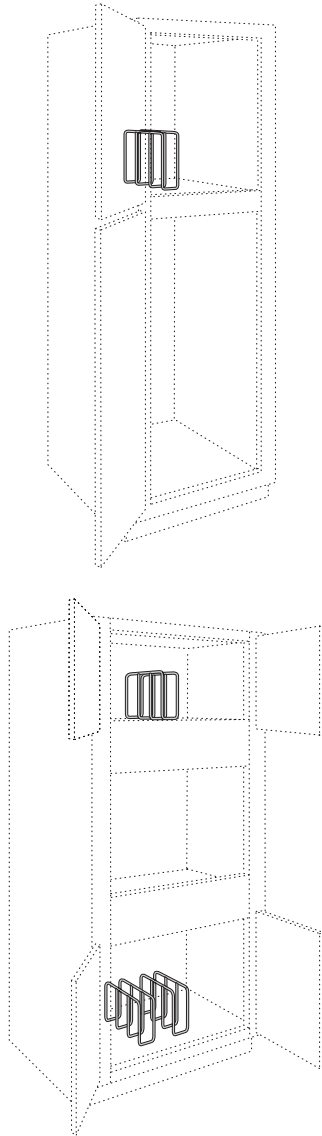
| | |
|----------------------|------------|
| OVD2784 BUTT 2DWR | APC |
| OVD3084 BUTT 2DWR | CFO |
| OVD3384 BUTT 2DWR | FE |
| | RD |
| OVD2790 AS BUTT 2DWR | |
| OVD3090 AS BUTT 2DWR | |
| OVD3390 AS BUTT 2DWR | |
| OVD2793 AS BUTT 2DWR | |
| OVD3093 AS BUTT 2DWR | |
| OVD3393 AS BUTT 2DWR | |
| OVD2796 AS BUTT 2DWR | |
| OVD3096 AS BUTT 2DWR | |
| OVD3396 AS BUTT 2DWR | |

- Two standard drawers
- Refer to appliance manufacturer's specifications for adequate clearances and required installation materials
- Heat Shield Kit (HSK) recommended for Duraform thermofoil door styles
- 4" inset toe kick assembly shipped inside 93" and 96" high cabinets, 33" wide x 93" high toe kicks ship as two pieces - seam will be visible between toe kick box and side of cabinet

Utility Cabinet Accessories



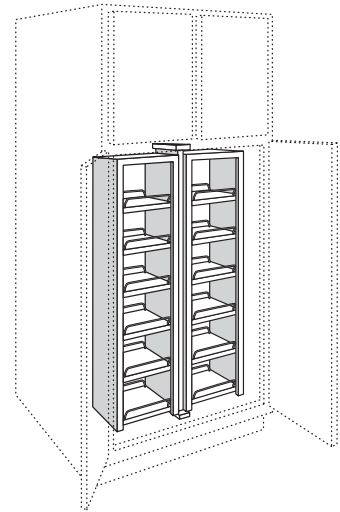
Cabinet Tray Divider



TD3

- Field installation accessory
- Chrome finish
- Mounting hardware included
- Overall dimensions:
2 7/8" wide x 9 1/8" high x 11 3/4" deep
- Order Cabinet Tray Dividers individually
- For use in 24" deep cabinets or cabinets with RD-23 through RD-13

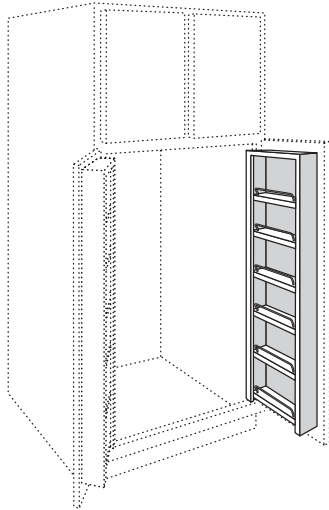
Pantry Swing Out Kit



PCSK36

- Field installation accessory
- For use inside UT3624 X ___ BUTT
- Can be used with PDSK18 and/or PSK36
- Natural finish unit features two fixed and ten adjustable shelves with chrome rail
- Overall dimensions:
25 3/4" wide x 45" high x 7 1/2" deep
- Not sized to fit cabinets with Reduced Depth
- Minimum filler width of 4 1/2" recommended for installation of a cabinet with this accessory next to deeper adjacent objects including cabinets, walls, appliances and countertops

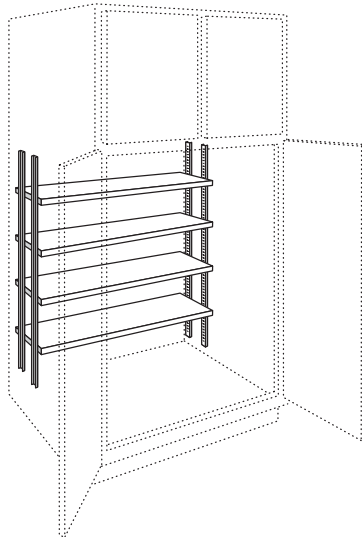
Pantry Door Shelf Kit



PDSK18

- Field installation accessory
- For use inside UT3624 X ___ BUTT
- Order each door unit separately
- Can be used with PCSK36 and/or PSK36
- Natural finish unit features one fixed and five adjustable shelves with chrome rail
- Overall dimensions:
12" wide x 45" high x 4" deep
- Not recommended for cabinets with Reduced Depth
- Minimum filler width of 4½" recommended for installation of a cabinet with this accessory next to deeper adjacent objects including cabinets, walls, appliances and countertops

Utility Cabinet Shelf & Pilaster Kit



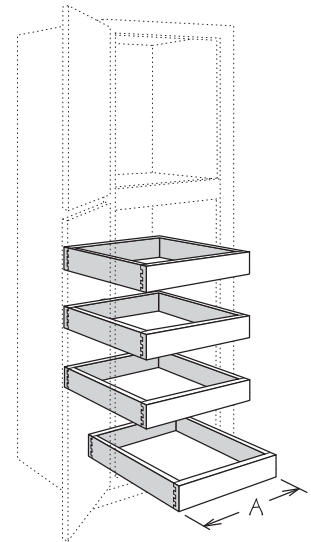
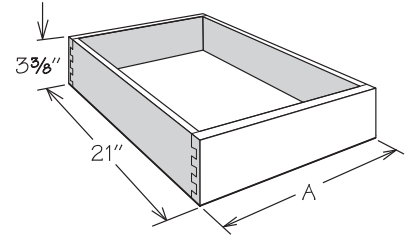
PSK36

APC
RD

- Field installation accessory
- Kit features four 9" deep shelves edge banded on front edge only, four 36" zinc pilasters, screws and installation instructions
- For use inside UT3624 X ___ BUTT
- Field trimmable in width for use inside UT1824
- Can be used with PCSK36 and/or PDSK18

**Tall Cabinet
Deep Roll Out Tray Kit or
4 Pack Deep Roll Out Tray Kit**

NEW! SIZES



| | A |
|--------|-------|
| DROT12 | 7 ¾" |
| DROT15 | 10 ¼" |
| DROT18 | 13 ¾" |
| DROT24 | 19 ¾" |
| DROT30 | 25 ¾" |
| DROT36 | 31 ¾" |

Deep Roll Out Tray Kit

- DROT12
- DROT15
- DROT18
- DROT21
- DROT24
- DROT27
- DROT30
- DROT33
- DROT36

4 Pack Deep Roll Out Tray Kit

- DROT12-4K
- DROT15-4K
- DROT18-4K
- DROT21-4K**
- DROT24-4K**
- DROT27-4K**
- DROT30-4K**
- DROT33-4K**
- DROT36-4K**

- Field installation accessory
- Natural finish dovetail drawer with engineered wood bottom
- Includes Deep Roll Out Tray, all glide hardware and installation instructions

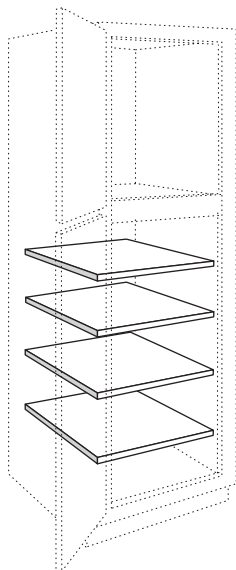
RD

Tall Cabinet

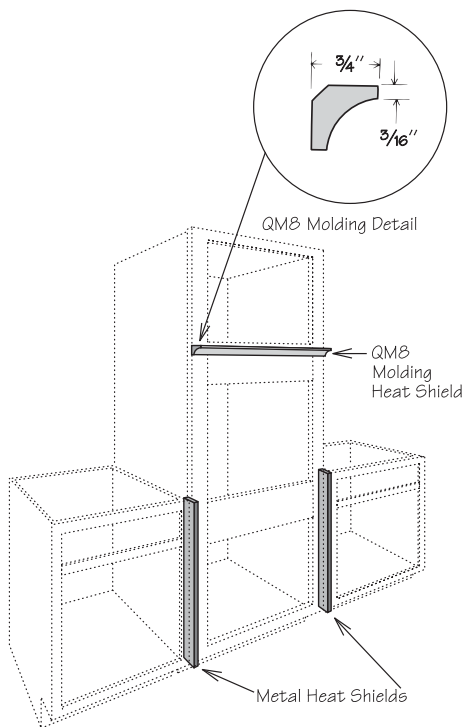
Adjustable Shelf or 4 Pack Shelf Kit

NEW! SIZES

NEW! UPDATE



Heat Shield Kit



Adjustable Shelf 12" Deep

24" Deep

| | |
|--------------|--------------|
| S1212 | S1224 |
| S1512 | S1524 |
| S1812 | S1824 |
| S2112 | S2124 |
| S2412 | S2424 |
| S3612 | S2724 |
| | S3024 |
| | S3324 |
| | S3624 |

4 Pack Shelf Kit 12" Deep

24" Deep

| | |
|---------------|---------------|
| SK1212 | SK1224 |
| SK1512 | SK1524 |
| SK1812 | SK1824 |
| SK2112 | SK2124 |
| SK2412 | SK2424 |
| SK3612 | SK2724 |
| | SK3024 |
| | SK3324 |
| | SK3624 |

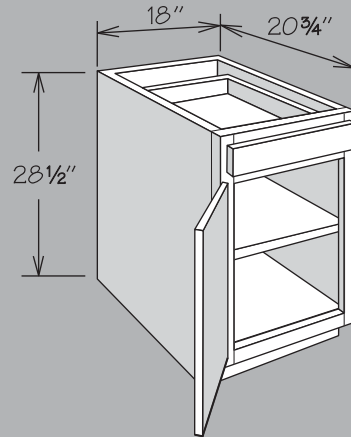
| |
|-----|
| APC |
| MI |
| RD |

- **UPDATE:** All adjustable shelves now available with MI
- Field installation accessory
- 3/4" engineered wood in natural finish
- Edge banded on front edge only
- CLIP LOCK shelf rests included

HSK

- Field installation accessory
- For use as heat shield on Portola Duraform
- Protects doors and drawer fronts from adjacent heat source (built-in ovens, under counter ovens, drop-in or free-standing ranges)
- Kit features:
 - Two 1/8" metal heat shields finished to match cabinet box exterior
 - One strip of QM8 molding shield finished to match cabinet box exterior

Desk Cabinets & Bookshelves



Dimensions

| Width | Height | Depth |
|------------|-------------|---|
| 12" to 36" | 28½" to 96" | 12" to 24" (Reduced Depth optional on select cabinets) |

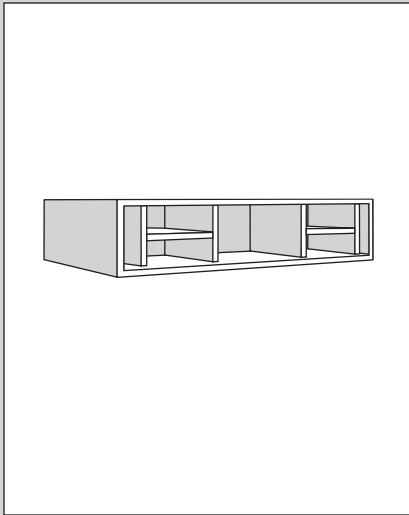
SKU Coding

| DDO | 18 | 21 |
|--|--------------------|--------------------|
| Cabinet Type (e.g., DDO= Desk Door Cabinet) | Width in Inches | Depth in Inches |

Construction Options & Modifications

- APC**..... All Plywood Construction
- CFO**..... Cabinet Front Only
- FE**..... Furniture Ends
- ID**..... Increased Depth (Bookshelves Only)
- PE**..... Plywood Ends
- RD**..... Reduced Depth
- RTK**..... Recessed Toe Kick

Desk Base Cabinets



Desk Base cabinets are 12" to 24" wide, 28½" high and 20¾" or 24" deep.

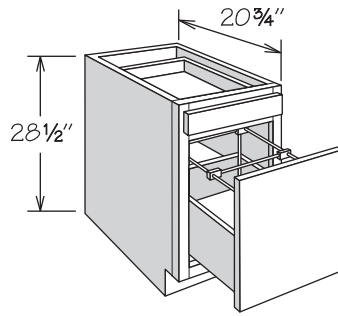
Single door Desk Base cabinets are hinged left and can be reversed in the field.

Inset toe kick construction requires BTK8 matching toe kick - must be ordered separately.

DESK CABINETS & BOOKSHELVES

Desk File Pull Out

1 Drawer, 1 Door Pull Out
21" Deep

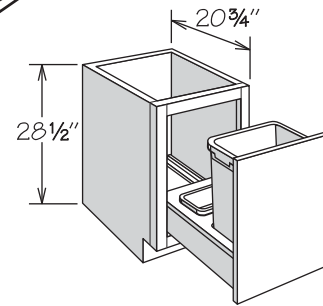


| | |
|----------|-----|
| DFDC1821 | APC |
| | FE |
| | PE |
| | RTK |

- One standard top drawer
- File unit installs in a natural finish drawer body
- File unit packaged separately for field installation
- Accepts letter or legal-size hanging files

Desk Wastebasket Cabinet

1 Bottom Mount Wastebasket
21" Deep

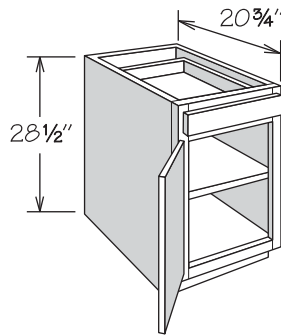


| | |
|----------|-----|
| DWBB1821 | APC |
| | FE |
| | PE |
| | RTK |

- Full-height door
- Features one silver plastic 35-quart capacity bin
- Wastebasket rests in a natural finish wood frame
- Feature heavy-duty 132-pound rated glides
- Includes bag storage tray at rear
- Decorative hardware strongly recommended
- Storage tray NOT dishwasher safe

Desk Door Cabinet

1 Door, 1 Drawer
21" Deep

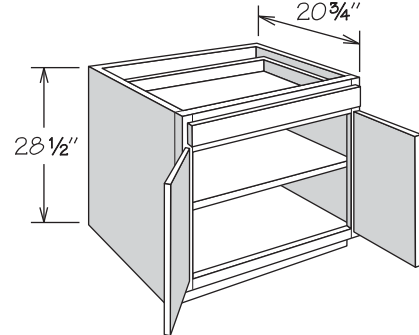


| | |
|--|-----|
| DD01221 DD01521 DD01821 DD02121 | APC |
| | CFO |
| | FE |
| | PE |
| | RD |
| | RTK |

- One full-depth adjustable shelf

Desk Door Cabinet

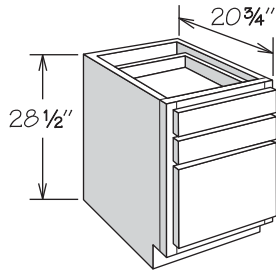
2 Butt Doors, 1 Drawer
21" Deep



| | |
|--------------|-----|
| DD02421 BUTT | APC |
| | CFO |
| | FE |
| | PE |
| | RD |
| | RTK |

- One full-depth adjustable shelf

Desk Drawer Cabinet
3 Drawers
21" Deep

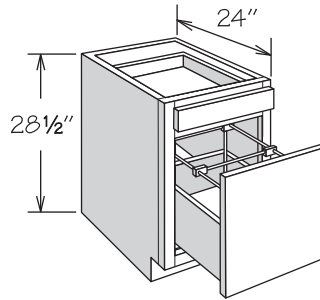


DDR1221
DDR1521
DDR1821
DDR2121
DDR2421

| |
|-----|
| APC |
| CFO |
| FE |
| PE |
| RD |
| RTK |

- One large and two standard drawers
- Large drawer cannot be used as a file drawer

Desk File Pull Out
1 Drawer, 1 Door Pull Out
24" Deep

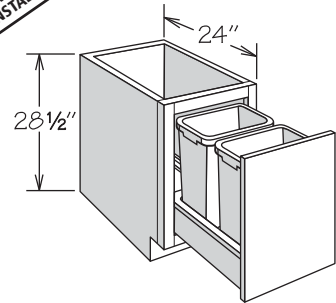


DFDC1824

| |
|-----|
| APC |
| FE |
| PE |
| RTK |

- One standard top drawer
- File unit installs in a natural finish drawer body
- File unit packaged separately for field installation
- Accepts letter or legal-size hanging files

Desk Wastebasket Cabinet
2 Bottom Mount Wastebaskets
24" Deep

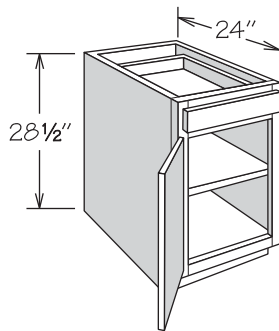


DWBB1824

| |
|-----|
| APC |
| FE |
| PE |
| RTK |

- Full-height door
- Features two silver plastic 35-quart capacity bins
- Wastebasket rests in a natural finish wood frame
- Features heavy-duty 132-pound rated glides
- Decorative hardware strongly recommended

Desk Door Cabinet
1 Door, 1 Drawer
24" Deep

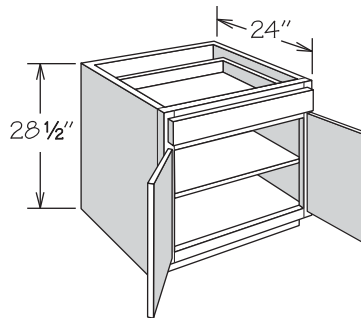


DD01224
DD01524
DD01824
DD02124

| |
|-----|
| APC |
| CFO |
| FE |
| PE |
| RD |
| RTK |

- One full-depth adjustable shelf

Desk Door Cabinet
2 Butt Doors, 1 Drawer
24" Deep

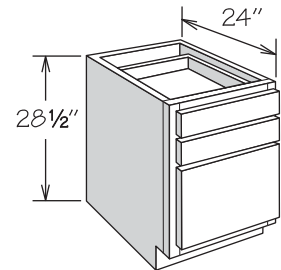


DD02424 BUTT

| |
|-----|
| APC |
| CFO |
| FE |
| PE |
| RD |
| RTK |

- One full-depth adjustable shelf

Desk Drawer Cabinet
3 Drawers
24" Deep

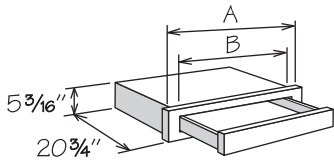


DDR1224
DDR1524
DDR1824
DDR2124
DDR2424

| |
|-----|
| APC |
| CFO |
| FE |
| PE |
| RD |
| RTK |

- One large and two standard drawers
- Large drawer cannot be used as a file drawer

Kneehole Drawer Cabinet

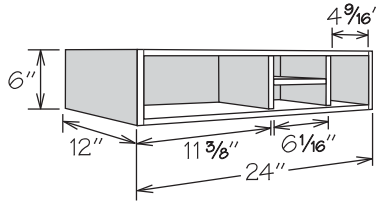


| | A | B | Max. Trim |
|----------|-----|---------|------------------------|
| KDC27/21 | 27" | 17 3/4" | 21" (3" each side) |
| KDC33/27 | 33" | 23 3/4" | 27" (3" each side) |
| KDC36/33 | 36" | 29 3/4" | 33" (1 1/2" each side) |

| | |
|----------------------------------|-----------|
| KDC27/21 KDC33/27 KDC36/33 | RD |
| | |
| | |
| | |

- Designed for Desk or Vanity installation
- Drawer front complements door style
- Field trimmable in depth to 18" or available with RD-20 through RD-12
- Field trimmable in height to 4 3/4"

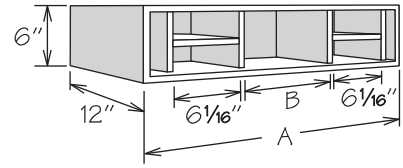
**Shelf Under Cabinet Organizer
24" Wide**



| |
|--------|
| SUC024 |
|--------|

- SUC024 installs below 24" wide Wall cabinet
- Features 1/2" veneered engineered wood finished to match cabinet box exterior
- Flush sides
- Opening is 5" high

**Shelf Under Cabinet Organizer
27" & 30" Wide**

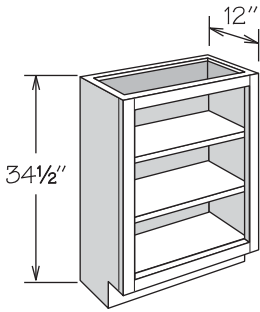


| | A | B |
|--------|-----|---------|
| SUC027 | 27" | 8 7/8" |
| SUC030 | 30" | 11 1/8" |

| |
|------------------|
| SUC027 SUC030 |
|------------------|

- SUC027 installs below 27" wide Wall cabinet
- SUC030 installs below 30" wide Wall cabinet
- Features 1/2" veneered engineered wood finished to match cabinet box exterior
- Flush sides
- Opening is 5" high

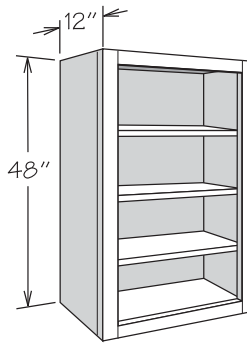
**Base Bookshelf
34 1/2" High**



| | |
|-----------|------------|
| BSPLY2434 | FE |
| | ID |
| | RD |
| | RTK |

- All Plywood Construction standard
- Interior finished to match cabinet box exterior
- Features two adjustable 3/4" plywood shelves
- Shelving packaged separately for field installation

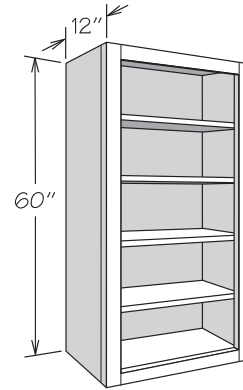
**Wall Bookshelves
48" High**



| | |
|--|-----------|
| BSPLY1848 BSPLY2448 BSPLY3048 BSPLY3648 | FE |
| | ID |
| | RD |
| | |

- All Plywood Construction standard
- Interior finished to match cabinet box exterior
- Features three adjustable 3/4" plywood shelves
- Shelving packaged separately for field installation

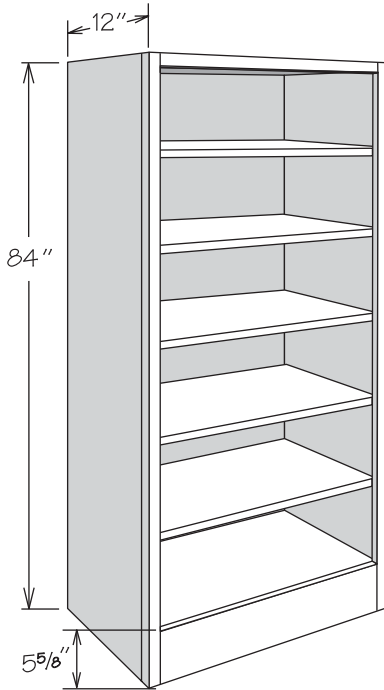
**Wall Bookshelves
60" High**



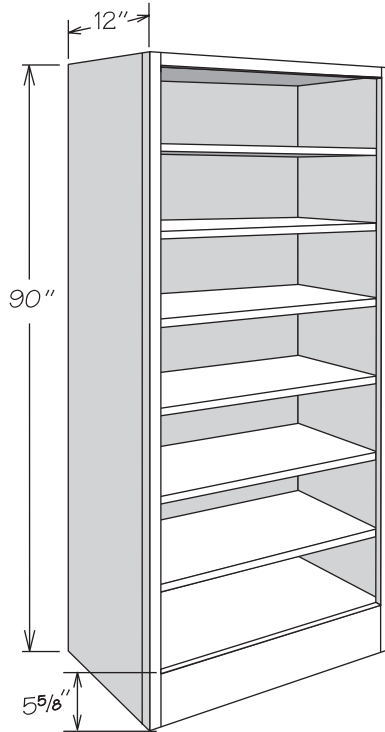
| | |
|--|-----------|
| BSPLY1860 BSPLY2460 BSPLY3060 BSPLY3660 | FE |
| | ID |
| | RD |
| | |

- All Plywood Construction standard
- Interior finished to match cabinet box exterior
- Features four adjustable 3/4" plywood shelves
- Shelving packaged separately for field installation

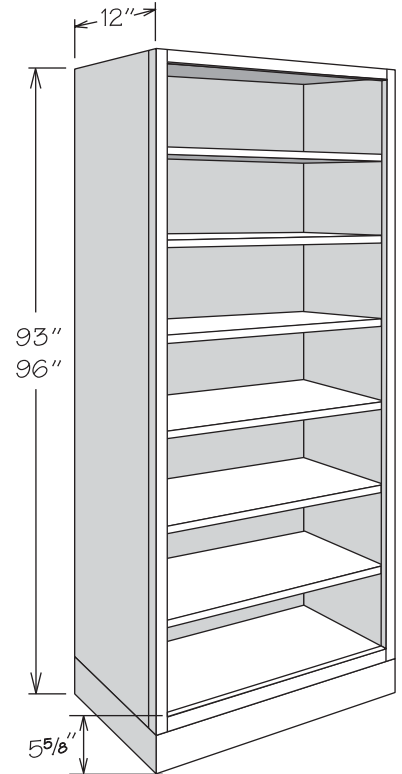
Tall Bookshelves
84" High



Tall Bookshelves
90" High



Tall Bookshelves
93" & 96" High



BSPLY1884
BSPLY2484
BSPLY3084
BSPLY3684

| |
|----|
| FE |
| ID |
| RD |

- All Plywood Construction standard
- Interior finished to match cabinet box exterior
- Flush furniture toe kick
- Features five adjustable 3/4" plywood shelves
- Shelving packaged separately for field installation

BSPLY1890
BSPLY2490
BSPLY3090
BSPLY3690

| |
|----|
| FE |
| ID |
| RD |

- All Plywood Construction standard
- Interior finished to match cabinet box exterior
- Flush furniture toe kick
- Features six adjustable 3/4" plywood shelves
- Shelving packaged separately for field installation

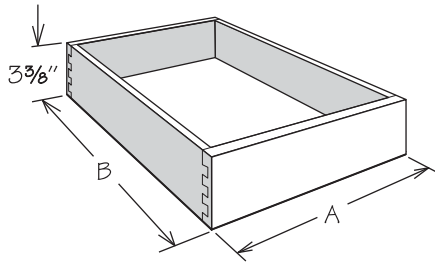
BSPLY1893
BSPLY2493
BSPLY3093
BSPLY3693

BSPLY1896
BSPLY2496
BSPLY3096
BSPLY3696

| |
|----|
| FE |
| ID |
| RD |

- All Plywood Construction standard
- Interior finished to match cabinet box exterior
- Flush furniture toe kick shipped unattached - seam will be visible between toe kick box and side of bookshelf
- Features six adjustable 3/4" plywood shelves
- Shelving packaged separately for field installation

Deep Roll Out Tray Kit

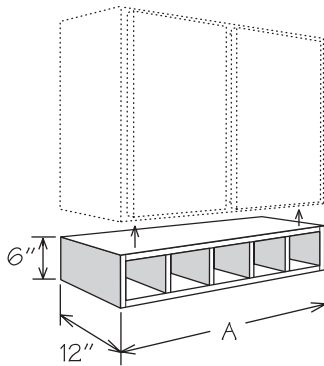


| | | |
|--------|----------|-----------|
| DROT12 | DROT1221 | RD |
| DROT15 | DROT1521 | |
| DROT18 | DROT1821 | |
| DROT21 | DROT2421 | |
| DROT24 | | |
| | | |

| | A | B |
|----------|---------|-----|
| DROT12 | 7 3/4" | 21" |
| DROT15 | 10 3/4" | 21" |
| DROT18 | 13 3/4" | 21" |
| DROT21 | 16 3/4" | 21" |
| DROT24 | 19 3/4" | 21" |
| DROT1221 | 7 3/4" | 18" |
| DROT1521 | 10 3/4" | 18" |
| DROT1821 | 13 3/4" | 18" |
| DROT2421 | 19 3/4" | 18" |

- Field installation accessory
- Includes tray, all glide hardware and installation instructions
- Natural finish dovetail drawer with engineered wood bottom
- DROT_21 for use in 21" deep desk or vanity cabinets

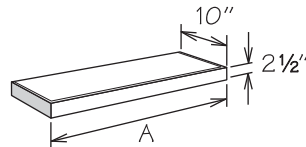
Storage Cube



| | A |
|------|-----|
| SC30 | 30" |
| SC36 | 36" |
| SC42 | 42" |

- Designed for horizontal or vertical installation
- Vertical installation may require the use of fillers and/or molding which must be ordered separately
- Opening size is 5" wide x 4 1/2" high (horizontal) which will accommodate various storage needs
- Features 3/4" veneered engineered wood finished to match cabinet box exterior
- Interior finished to match cabinet box exterior
- Flush sides
- Cannot be retrofitted with Spice Drawer cabinet drawers

Floating Shelf

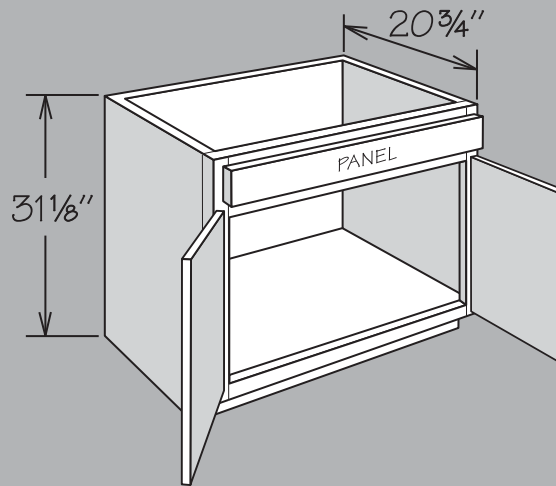


| SKU | A | Max. Load |
|----------|-----|-----------|
| FLSH2410 | 24" | 30 lbs. |
| FLSH3010 | 30" | 37 lbs. |
| FLSH3610 | 36" | 45 lbs. |
| FLSH4210 | 42" | 52 lbs. |
| FLSH4810 | 48" | 60 lbs. |

| |
|----------|
| FLSH2410 |
| FLSH3010 |
| FLSH3610 |
| FLSH4210 |
| FLSH4810 |

- Not trimmable
- Finished on all sides to match cabinet box exterior
- Features veneered engineered wood top and bottom and solid wood front and sides
- When installed between two cabinets, Furniture Ends (FE) is recommended for adjacent cabinets
- Must be secured to studs in wall
- Installation instructions, mounting brackets and screws included

Vanity Cabinets



Dimensions

Width

12" to 60"

Height

31 1/8" to 84"

Depth

18" to 20 3/4"
(Reduced Depth optional
on select cabinets)

SKU Coding

VSB

Cabinet Type
(e.g., VSB=Vanity Sink Base)

36

Width in Inches

BUTT

Door Type

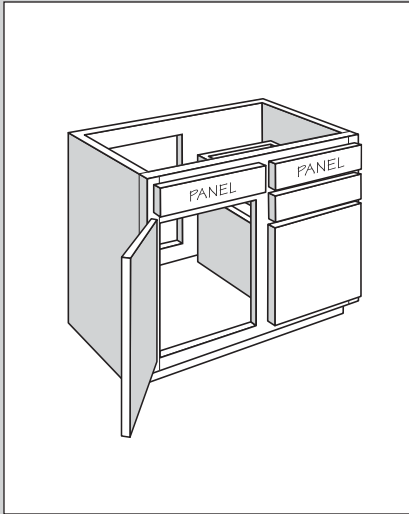
Construction Options & Modifications

- APC**.....All Plywood Construction
- CFO**..... Cabinet Front Only
- FE**..... Furniture Ends
- MI**.....Matching Interior
- PE**.....Plywood Ends
- RD**..... Reduced Depth
- RTK**..... Recessed Toe Kick

Specialty Door (SD) Cabinet Options

- MFD** Mullion Frame Door
- OFD** Open Frame Door

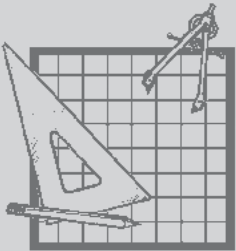
**31 1/8" Standard Height
Vanity Cabinets**



Standard Height Vanity cabinets are 31 1/8" high, 12" to 60" wide and 18" or 20 3/4" deep.

Single door Standard Height Vanity cabinets are hinged left and can be reversed in the field.

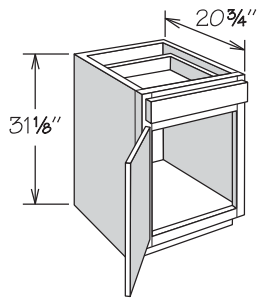
Inset toe kick construction requires BTK8 matching toe kick - must be ordered separately.



Refer to sink manufacturer's specifications for adequate clearance and required installation materials.

When placing a Standard Height Vanity Sink Base cabinet in a design, select a cabinet at least 3" wider than the sink to allow for installation clips. Review manufacturer's specifications for dimensions and adequate clearance requirements.

**Vanity Base
1 Door, 1 Drawer • 31 1/8" High**

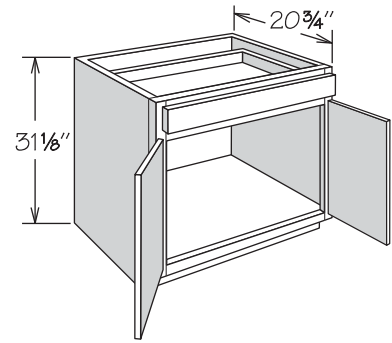


VB12
VB15
VB18
VB21

| |
|-----|
| APC |
| CFO |
| FE |
| PE |
| RD |
| RTK |

- No shelf
- Not drilled for adjustable shelf

**Vanity Base
2 Butt Doors, 1 Drawer • 31 1/8" High**

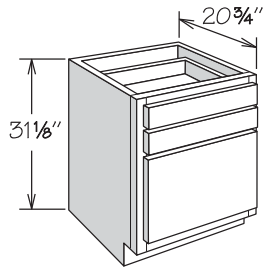


VB24 BUTT
VB27 BUTT
VB30 BUTT
VB33 BUTT
VB36 BUTT

| |
|-----|
| APC |
| CFO |
| FE |
| PE |
| RD |
| RTK |

- No shelf
- Not drilled for adjustable shelf

**Vanity Drawer Base
3 Drawers • 31 1/8" High**



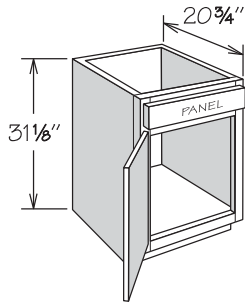
VDB12
VDB15
VDB18
VDB21
VDB24

| |
|-----|
| APC |
| CFO |
| FE |
| PE |
| RD |
| RTK |

- One large and two standard drawers

Vanity Sink Base

1 Door, 1 Panel • 31¹/₈" High



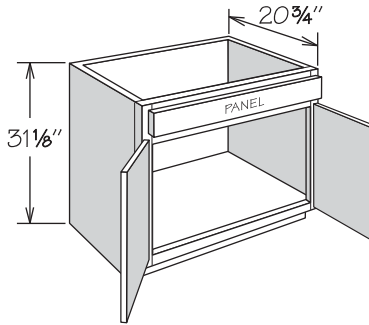
VSB15
VSB18
VSB21

| |
|-----|
| APC |
| CFO |
| FE |
| PE |
| RD |
| RTK |

- No shelf
- Subtract 1¹/₂" from depth and width for available sink bowl opening

Vanity Sink Base

2 Butt Doors, 1 Panel • 31¹/₈" High



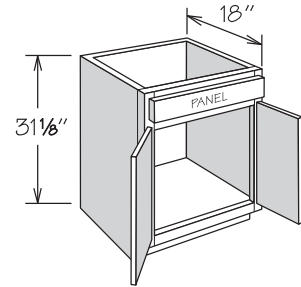
VSB24 BUTT
VSB27 BUTT
VSB30 BUTT
VSB33 BUTT
VSB36 BUTT

| |
|-----|
| APC |
| CFO |
| FE |
| PE |
| RD |
| RTK |

- No shelf
- Subtract 1¹/₂" from depth and width for available sink bowl opening

Vanity Sink Base - 18" Deep

2 Butt Doors, 1 Panel • 31¹/₈" High



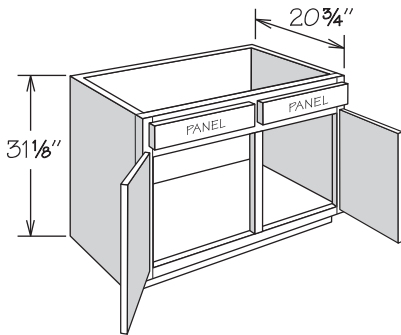
VSB2418 BUTT
VSB3018 BUTT
VSB3618 BUTT

| |
|-----|
| APC |
| CFO |
| FE |
| PE |
| RD |
| RTK |

- No shelf
- Subtract 1¹/₂" from depth and width for available sink bowl opening

Vanity Sink Base

2 Doors, 2 Panels • 31¹/₈" High



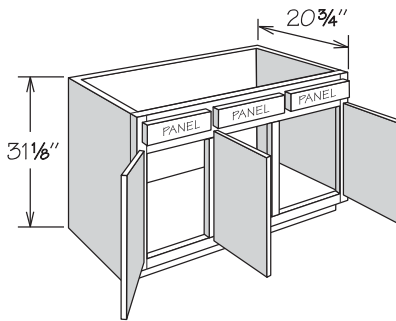
VSB39
VSB42

| |
|-----|
| APC |
| CFO |
| FE |
| PE |
| RD |
| RTK |

- No shelf
- Subtract 1¹/₂" from depth and width for available sink bowl opening

Vanity Sink Base

3 Doors, 3 Panels • 31¹/₈" High



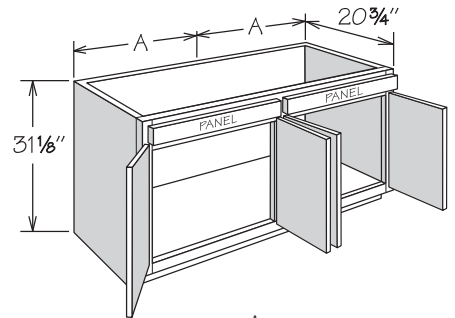
VSB48

| |
|-----|
| APC |
| CFO |
| FE |
| PE |
| RD |
| RTK |

- No shelf
- Subtract 1¹/₂" from depth and width for available sink bowl opening
- Hinged as shown - center door may be reversed in field

Vanity Sink Base

4 Butt Doors, 2 Panels • 31¹/₈" High



| | |
|------------|-----|
| | A |
| VSB54 BUTT | 27" |
| VSB60 BUTT | 30" |

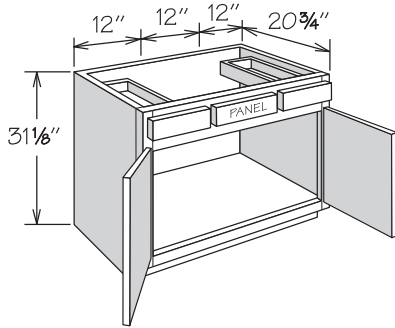
VSB54 BUTT
VSB60 BUTT

| |
|-----|
| APC |
| CFO |
| FE |
| PE |
| RD |
| RTK |

- No shelf
- Subtract 1¹/₂" from depth and dimension A for available sink bowl openings

Vanity Sink Base

2 Butt Doors, 2 Drawers • 31 1/8" High



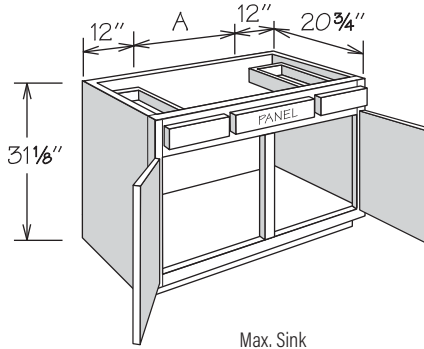
VAN36 BUTT

- APC
- CFO
- FE
- PE
- RD
- RTK

- No shelf
- Top drawer on each side of sink bowl opening
- Subtract 1/2" from depth for available sink bowl opening
- Maximum sink opening is 18"

Vanity Sink Base

2 Doors, 2 Drawers • 31 1/8" High



| | A | Max. Sink Opening |
|-------|-----|-------------------|
| VAN39 | 15" | 18" |
| VAN42 | 18" | 21" |

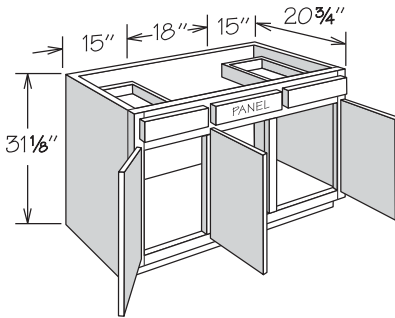
VAN39
VAN42

- APC
- CFO
- FE
- PE
- RD
- RTK

- No shelf
- Top drawer on each side of sink bowl opening
- Subtract 1/2" from depth for available sink bowl opening

Vanity Sink Base

3 Doors, 2 Drawers • 31 1/8" High



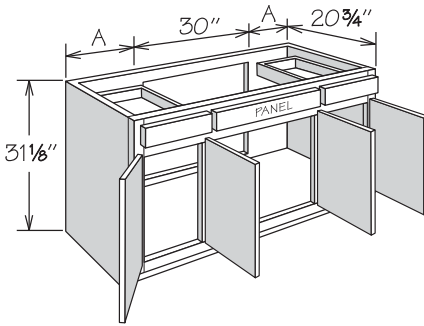
VAN48

- APC
- CFO
- FE
- PE
- RD
- RTK

- No shelf
- Top drawer on each side of sink bowl opening
- Subtract 1/2" from depth for available sink bowl opening
- Hinged as shown - center door may be reversed in field
- Maximum sink opening is 21"

Vanity Sink Base

4 Doors, 2 Drawers • 31 1/8" High



| | A |
|------------|-----|
| VAN54 BUTT | 12" |
| VAN60 BUTT | 15" |

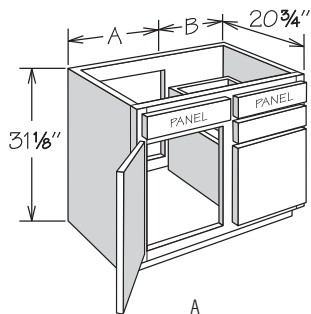
VAN54 BUTT
VAN60 BUTT

- APC
- CFO
- FE
- PE
- RD
- RTK

- No shelf
- Features Butt doors at sink bowl opening
- Top drawer on each side of sink bowl opening
- Subtract 1/2" from depth for available sink bowl opening
- Maximum sink opening is 33"
- Open area for plumbing access

Vanity Combo Sink Base

1 Door, 2 Drawers • 31 1/8" High



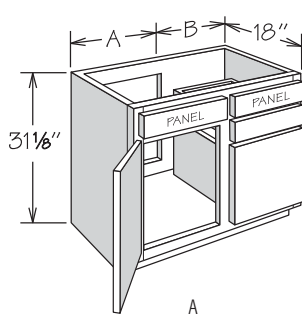
| | A | B |
|--------|-----|-----|
| VSDB24 | 12" | 12" |
| VSDB27 | 15" | 12" |
| VSDB30 | 18" | 12" |
| VSDB33 | 21" | 12" |
| VSDB36 | 21" | 15" |

| | | |
|--------|--------|-----|
| VSDB24 | VSDB33 | APC |
| VSDB27 | VSDB36 | CFO |
| VSDB30 | | FE |
| | | PE |
| | | RD |
| | | RTK |

- No shelf
- Open area for plumbing access
- Allow for plumbing placement to clear drawers
- Drawers available on right or left side (please specify)
- Cabinet shown is right indicating drawers on the right side of the cabinet
- Subtract 1 1/2" from depth and overall cabinet width for available sink bowl opening

Vanity Combo Sink Base 18" Deep

1 Door, 2 Drawers • 31 1/8" High



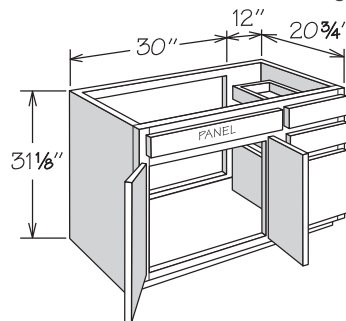
| | A | B |
|----------|-----|-----|
| VSDB2418 | 12" | 12" |
| VSDB2718 | 15" | 12" |
| VSDB3018 | 18" | 12" |
| VSDB3318 | 21" | 12" |
| VSDB3618 | 21" | 15" |

| | | |
|----------|----------|-----|
| VSDB2418 | VSDB3318 | APC |
| VSDB2718 | VSDB3618 | CFO |
| VSDB3018 | | FE |
| | | PE |
| | | RD |
| | | RTK |

- No shelf
- Open area for plumbing access
- Allow for plumbing placement to clear drawers
- Drawers available on right or left side (please specify)
- Cabinet shown is right indicating drawers on the right side of the cabinet
- Subtract 1 1/2" from depth and overall cabinet width for available sink bowl opening

Vanity Combo Sink Base

2 Butt Doors, 3 Drawers • 31 1/8" High

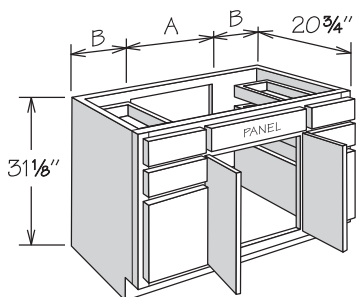


| | |
|-------------|-----|
| VSDB42 BUTT | APC |
| | CFO |
| | FE |
| | PE |
| | RD |
| | RTK |

- No shelf
- Open area for plumbing access
- Allow for plumbing placement to clear drawers
- Drawers available on right or left side (please specify)
- Cabinet shown is right indicating drawers on the right side of the cabinet
- Subtract 1 1/2" from depth and 30" dimension for available sink bowl opening
- Requires off-center sink bowl opening

Vanity Combo Sink Base

2 Butt Doors, 6 Drawers • 31 1/8" High



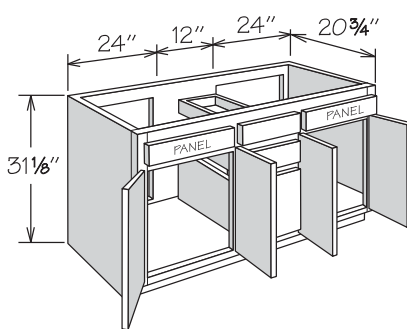
| | A | B |
|--------------|-----|-----|
| VSDB48D BUTT | 24" | 12" |
| VSDB54D BUTT | 24" | 15" |
| VSDB60D BUTT | 30" | 15" |

| | |
|--------------|-----|
| VSDB48D BUTT | APC |
| VSDB54D BUTT | CFO |
| VSDB60D BUTT | FE |
| | PE |
| | RD |
| | RTK |

- No shelf
- Open area for plumbing access
- Subtract 1 1/2" from depth and dimension A for available sink bowl opening

Vanity Combo Sink Base

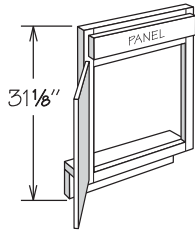
4 Butt Doors, 3 Drawers • 31 1/8" High



| | |
|--------------|-----|
| VSDB60C BUTT | APC |
| | CFO |
| | FE |
| | PE |
| | RD |
| | RTK |

- No shelf
- Open areas for plumbing access
- Subtract 1 1/2" from depth and each 24" dimension for available sink bowl openings

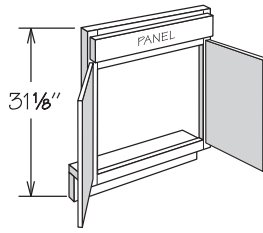
Vanity Sink Front
1 Door, 1 Panel • 31¹/₈" High



VSF21

- Vanity Sink Front not trimmable
- Order floors and returns separately (trimming may be required) – refer to Panel Section for availability

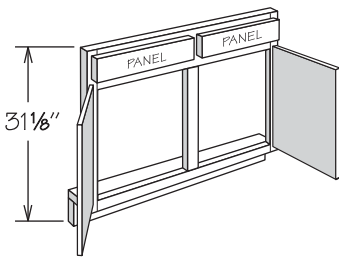
Vanity Sink Front
2 Butt Doors, 1 Panel • 31¹/₈" High



VSF24 BUTT
VSF30 BUTT
VSF36 BUTT

- Vanity Sink Front not trimmable
- Order floors and returns separately (trimming may be required) – refer to Panel Section for availability

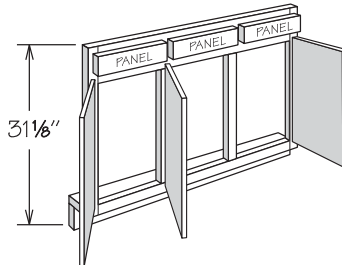
Vanity Sink Front
2 Doors, 2 Panels • 31¹/₈" High



VSF39
VSF42

- Vanity Sink Front not trimmable
- Order floors and returns separately (trimming may be required) – refer to Panel Section for availability

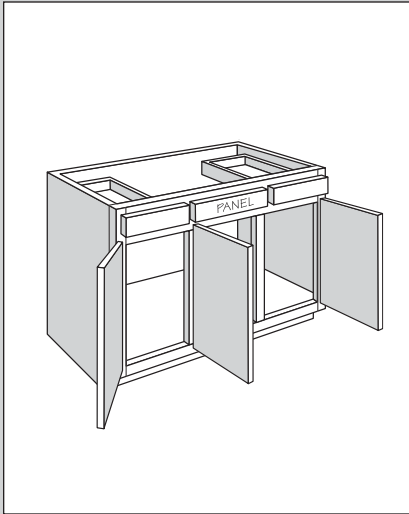
Vanity Sink Front
3 Doors, 3 Panels • 31¹/₈" High



VSF48

- Vanity Sink Front not trimmable
- Hinged as shown – center door may be reversed in field
- Order floors and returns separately (trimming may be required) – refer to Panel Section for availability

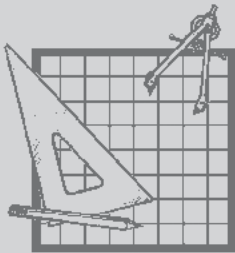
**34½" Base Height
Vanity Cabinets**



Base Height Vanity cabinets are 34½" high, 12" to 60" wide and 18" or 20¾" deep.

Single door Base Height Vanity cabinets are hinged left and can be reversed in the field.

Inset toe kick construction requires BTK8 matching toe kick - must be ordered separately.

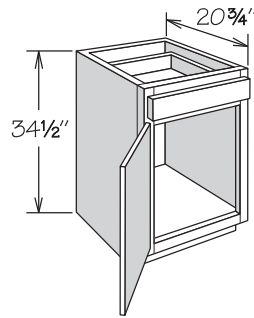


Check sink manufacturer's specifications for adequate clearance and required installation materials.

When placing a Base Height Vanity Sink Base cabinet in a design, select a cabinet at least 3" wider than the sink to allow for installation clips. Review manufacturer's specifications for dimensions and adequate clearance requirements.

Vanity Base

1 Door, 1 Drawer • 34½" High

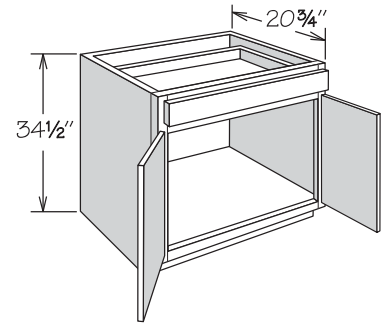


| | |
|---------|-----|
| VB1234H | APC |
| VB1534H | CFO |
| VB1834H | FE |
| VB2134H | PE |
| | RD |
| | RTK |

- No shelf
- Not drilled for adjustable shelf

Vanity Base

2 Butt Doors, 1 Drawer • 34½" High

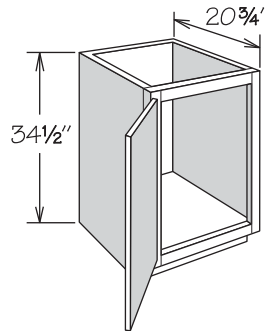


| | |
|--------------|-----|
| VB2434H BUTT | APC |
| VB2734H BUTT | CFO |
| VB3034H BUTT | FE |
| VB3334H BUTT | PE |
| VB3634H BUTT | RD |
| | RTK |

- No shelf
- Not drilled for adjustable shelf

Vanity Base

1 Full-Height Door • 34½" High

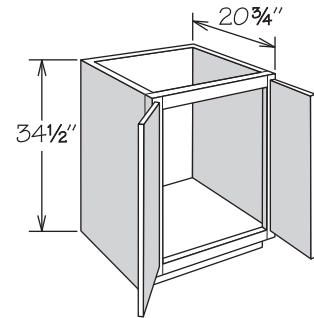


| | |
|------------|-----|
| VB1234H FH | APC |
| VB1534H FH | CFO |
| VB1834H FH | FE |
| VB2134H FH | PE |
| | RD |
| | RTK |

- Full-height door
- No shelf
- Not drilled for adjustable shelf

Vanity Base

2 Full-Height Butt Doors • 34½" High

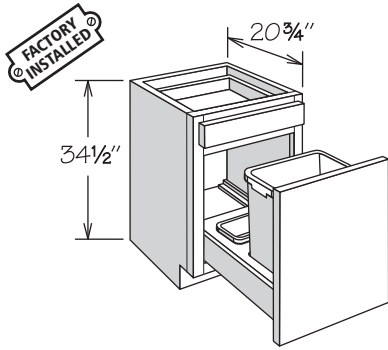


| | |
|-----------------|-----|
| VB2434H BUTT FH | APC |
| VB3034H BUTT FH | CFO |
| VB3634H BUTT FH | FE |
| | PE |
| | RD |
| | RTK |

- Full-height doors
- No shelf
- Not drilled for adjustable shelf

Vanity Wastebasket

1 Bottom Mount Wastebasket • 34½" High



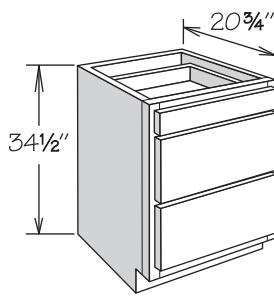
VWBB1834H

- APC
- FE
- PE
- RTK

- Features one silver plastic 35-quart capacity bin
- Wastebasket rests in a natural finish wood frame
- Includes bag storage tray at rear
- Decorative hardware strongly recommended
- Storage tray NOT dishwasher safe
- Features heavy-duty 132-pound rated glides

Vanity Drawer Base

3 Drawers • 34½" High



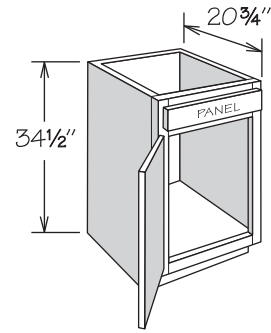
VDB1234H
VDB1534H
VDB1834H
VDB2134H
VDB2434H

- APC
- CFO
- FE
- PE
- RD
- RTK

- One standard and two large drawers

Vanity Sink Base

1 Door, 1 Panel • 34½" High



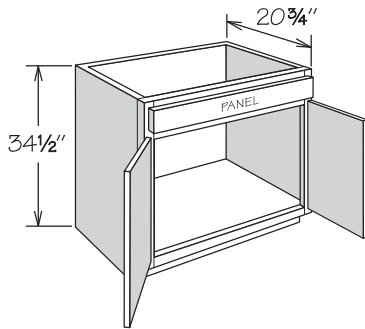
VSBI534H
VSB1834H
VSB2134H

- APC
- CFO
- FE
- PE
- RD
- RTK

- No shelf
- Subtract 1½" from depth and width for available sink bowl opening

Vanity Sink Base

2 Butt Doors, 1 Panel • 34½" High



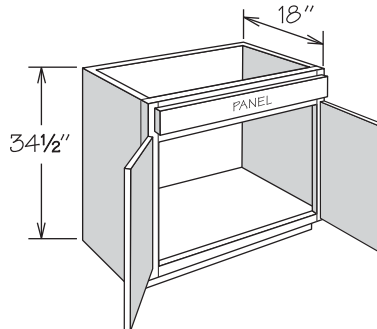
VSB2434H BUTT
VSB2734H BUTT
VSB3034H BUTT
VSB3334H BUTT
VSB3634H BUTT

- APC
- CFO
- FE
- PE
- RD
- RTK

- No shelf
- Subtract 1½" from depth and width for available sink bowl opening

Vanity Sink Base - 18" Deep

2 Butt Doors, 1 Panel • 34½" High



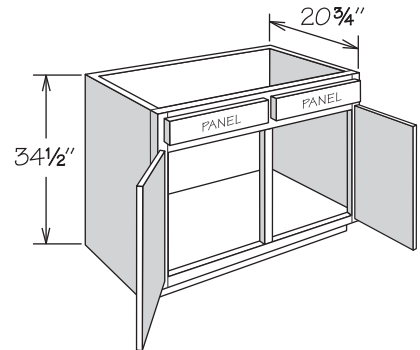
VSB241834H BUTT
VSB301834H BUTT
VSB361834H BUTT

- APC
- CFO
- FE
- PE
- RD
- RTK

- No shelf
- Subtract 1½" from depth and width for available sink bowl opening

Vanity Sink Base

2 Doors, 2 Panels • 34½" High



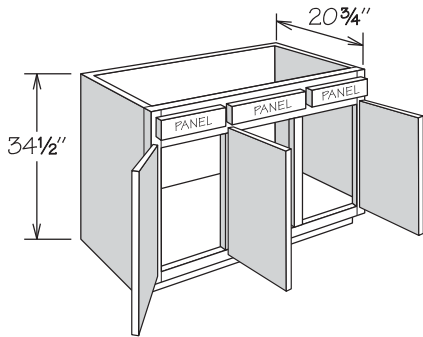
VSB3934H
VSB4234H

- APC
- CFO
- FE
- PE
- RD
- RTK

- No shelf
- Subtract 1½" from depth and width for available sink bowl opening

Vanity Sink Base

3 Doors, 3 Panels • 34½" High



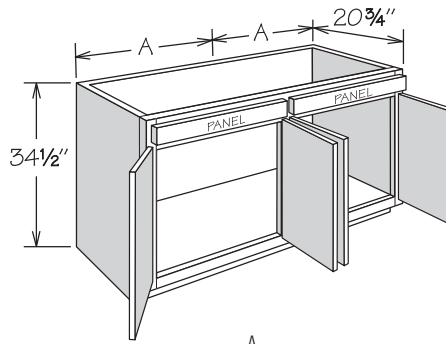
VSB4834H

| |
|-----|
| APC |
| CFO |
| FE |
| PE |
| RD |
| RTK |

- No shelf
- Subtract 1½" from depth and width for available sink bowl opening
- Hinged as shown - center door may be reversed in field

Vanity Sink Base

4 Butt Doors, 2 Panels • 34½" High



| | |
|---------------|-----|
| VSB5434H BUTT | 27" |
| VSB6034H BUTT | 30" |

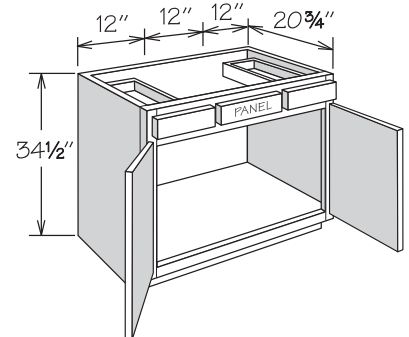
VSB5434H BUTT
VSB6034H BUTT

| |
|-----|
| APC |
| CFO |
| FE |
| PE |
| RD |
| RTK |

- No shelf
- Subtract 1½" from depth and dimension A for available sink bowl openings

Vanity Sink Base

2 Butt Doors, 2 Drawers • 34½" High



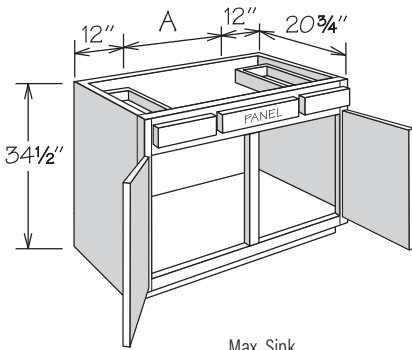
VAN3634H BUTT

| |
|-----|
| APC |
| CFO |
| FE |
| PE |
| RD |
| RTK |

- No shelf
- Top drawer on each side of sink bowl opening
- Subtract 1½" from depth for available sink bowl opening
- Maximum sink opening is 18"

Vanity Sink Base

2 Doors, 2 Drawers • 34½" High



| | A | Max. Sink Opening |
|----------|-----|-------------------|
| VAN3934H | 15" | 18" |
| VAN4234H | 18" | 21" |

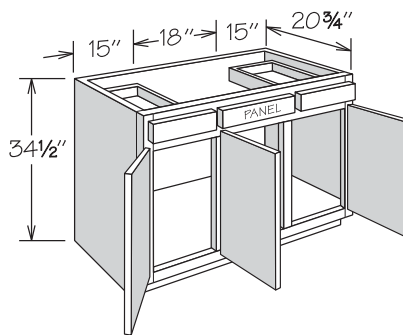
VAN3934H
VAN4234H

| |
|-----|
| APC |
| CFO |
| FE |
| PE |
| RD |
| RTK |

- No shelf
- Top drawer on each side of sink bowl opening
- Subtract 1½" from depth for available sink bowl opening

Vanity Sink Base

3 Doors, 2 Drawers • 34½" High



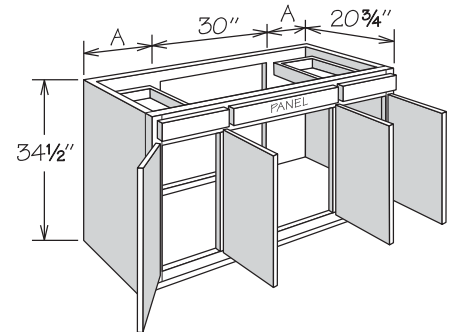
VAN4834H

| |
|-----|
| APC |
| CFO |
| FE |
| PE |
| RD |
| RTK |

- No shelf
- Top drawer on each side of sink bowl opening
- Subtract 1½" from depth for available sink bowl opening
- Maximum sink opening is 21"
- Hinged as shown - center door may be reversed in field

Vanity Sink Base

4 Doors, 2 Drawers • 34½" High



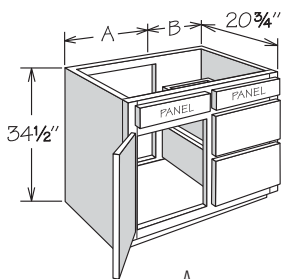
| | A |
|---------------|-----|
| VAN5434H BUTT | 12" |
| VAN6034H BUTT | 15" |

VAN5434H BUTT
VAN6034H BUTT

| |
|-----|
| APC |
| CFO |
| FE |
| PE |
| RD |
| RTK |

- Features Butt doors at sink bowl opening
- No shelf
- Top drawer on each side of sink bowl opening
- Subtract 1½" from depth for available sink bowl opening
- Maximum sink opening is 33"
- Open area for plumbing access

Vanity Combo Sink Base
1 Door, 2 Drawers • 34½" High

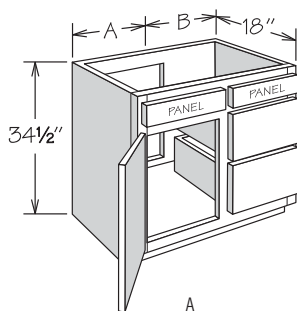


| | A | B |
|-----------|-----|-----|
| VSDB2434H | 12" | 12" |
| VSDB2734H | 15" | 12" |
| VSDB3034H | 18" | 12" |
| VSDB3334H | 21" | 12" |
| VSDB3634H | 21" | 15" |
| VSDB3934H | 21" | 18" |

| | |
|-----------|-----|
| VSDB2434H | APC |
| VSDB2734H | CFO |
| VSDB3034H | FE |
| VSDB3334H | PE |
| VSDB3634H | RD |
| VSDB3934H | RTK |

- No shelf
- Open area for plumbing access
- Allow for plumbing placement to clear drawers
- Drawers available on right or left side (please specify)
- Cabinet shown is right indicating drawers on the right side of the cabinet
- Subtract 1½" from depth and overall cabinet width for available sink bowl opening

Vanity Combo Sink Base 18" Deep
1 Door, 2 Drawers • 34½" High

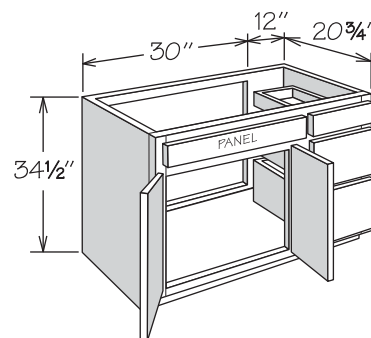


| | A | B |
|-------------|-----|-----|
| VSDB241834H | 12" | 12" |
| VSDB271834H | 15" | 12" |
| VSDB301834H | 18" | 12" |
| VSDB331834H | 21" | 12" |
| VSDB361834H | 21" | 15" |

| | |
|-------------|-----|
| VSDB241834H | APC |
| VSDB271834H | CFO |
| VSDB301834H | FE |
| VSDB331834H | PE |
| VSDB361834H | RD |
| | RTK |

- No shelf
- Open area for plumbing access
- Allow for plumbing placement to clear drawers
- Drawers available on right or left side (please specify)
- Cabinet shown is right indicating drawers on the right side of the cabinet
- Subtract 1½" from depth and overall cabinet width for available sink bowl opening

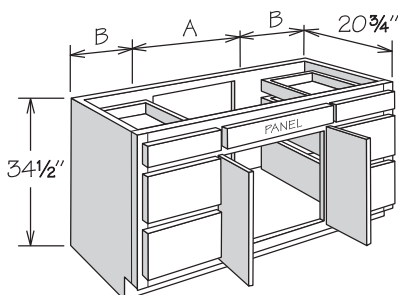
Vanity Combo Sink Base
2 Butt Doors, 3 Drawers • 34½" High



| | |
|----------------|-----|
| VSDB4234H BUTT | APC |
| | CFO |
| | FE |
| | PE |
| | RD |
| | RTK |

- No shelf
- Open area for plumbing access
- Allow for plumbing placement to clear drawers
- Drawers available on right or left side (please specify)
- Cabinet shown is right indicating drawers on the right side of the cabinet
- Subtract 1½" from depth and 30" dimension for available sink bowl opening
- Requires off-center sink bowl opening

Vanity Combo Sink Base
2 Butt Doors, 6 Drawers • 34½" High

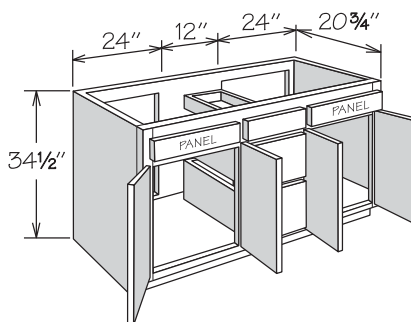


| | A | B |
|-----------------|-----|-----|
| VSDB4834HD BUTT | 24" | 12" |
| VSDB5434HD BUTT | 24" | 15" |
| VSDB6034HD BUTT | 30" | 15" |

| | |
|-----------------|-----|
| VSDB4834HD BUTT | APC |
| VSDB5434HD BUTT | CFO |
| VSDB6034HD BUTT | FE |
| | PE |
| | RD |
| | RTK |

- No shelf
- Open area for plumbing access
- Subtract 1½" from depth and dimension A for available sink bowl opening

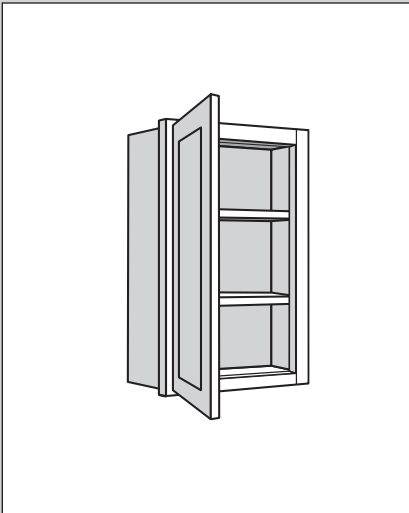
Vanity Combo Sink Base
4 Butt Doors, 3 Drawers • 34½" High



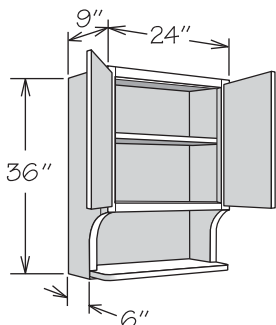
| | |
|-----------------|-----|
| VSDB6034HC BUTT | APC |
| | CFO |
| | FE |
| | PE |
| | RD |
| | RTK |

- No shelf
- Open areas for plumbing access
- Subtract 1½" from depth and each 24" dimension for available sink bowl openings

Specialty Vanity Cabinets



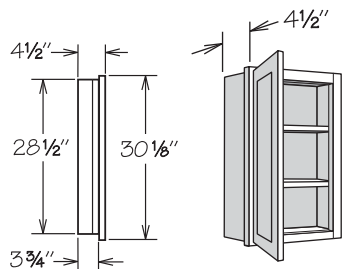
Valet Cabinet
2 Butt Doors



VC2436 BUTT

- Matching Interior standard
- Flush sides
- Bottom opening: 22½" x 10⅞"
- Features a fixed shelf
- Sides and bottom shelf feature ¼" engineered wood veneered on both sides
- For Duraform door styles, only the doors will be Duraform, all other finished surfaces will match cabinet box exterior

Medicine Cabinet

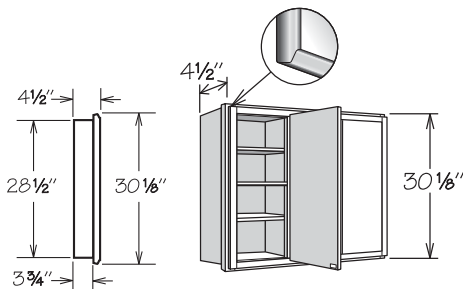


| | Overall Width | Overall Height | Cut Out Width Recess Mount | Cut Out Height Recess Mount |
|---------|---------------|----------------|----------------------------|-----------------------------|
| MC1530 | 15" | 30 ⅞" | 14 ½" | 28 ½" |
| MCM1530 | 15" | 30 ⅞" | 14 ½" | 28 ½" |

MC1530
MCM1530

- Two adjustable engineered wood shelves
- Surface or recess mount
- MCM1530 features a mirrored door
- For surface mount installation, trim and apply WEP30 to match finish on exterior sides to cabinet frame - order separately
- Breeze, Pewter Glaze and Linen (Duraform and Painted) door styles feature Matching Interior standard

Tri-View Mirror

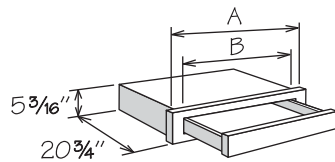


| | Overall Width | Overall Height | Cut Out Width Recess Mount | Cut Out Height Recess Mount |
|--------|---------------|----------------|----------------------------|-----------------------------|
| TV3030 | 30" | 30 ⅞" | 28 ½" | 28 ½" |
| TV3630 | 36" | 30 ⅞" | 34 ½" | 28 ½" |

TV3030
TV3630

- Features one large opening with two left hinged doors and one small opening with a right hinged door - can be flipped in the field
- Six adjustable shelves (3 per section)
- Surface or recess mount
- For surface mount installation, trim and apply WEP30 to match finish on exterior sides to cabinet frame - order separately
- Breeze, Pewter Glaze and Linen (Duraform and Painted) door styles feature Matching Interior standard
- Chrome hardware

Kneehole Drawer Cabinet



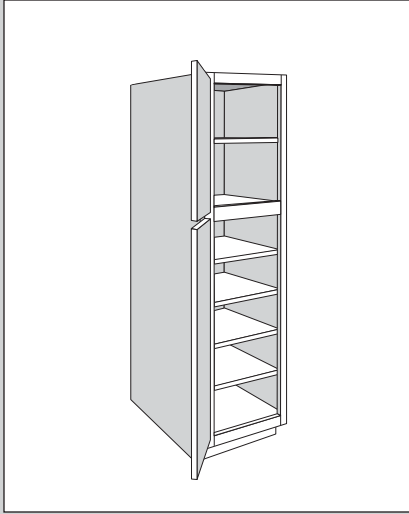
| | A | B | Max. Trim |
|----------|-----|------|---------------------|
| KDC27/21 | 27" | 17¾" | 21" (3" each side) |
| KDC33/27 | 33" | 23¾" | 27" (3" each side) |
| KDC36/33 | 36" | 29¾" | 33" (1½" each side) |

KDC27/21
KDC33/27
KDC36/33

RD

- Designed for Desk or Vanity application
- Drawer front complements door style
- Field trimmable in height to 4¼"
- Field trimmable in depth to 18" or available with RD-20 through RD-12

Vanity Linen Cabinets



Vanity Linen cabinets range in size from 12" to 24" wide, are 84" high and 20 3/4" deep.

Single door Vanity Linen cabinets are hinged left or right and can be reversed in the field.

Specialty doors will apply to top doors only.

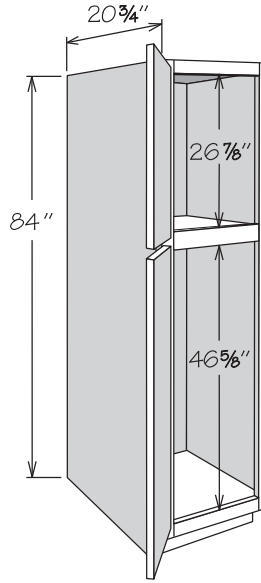
Vanity Linen cabinet bottom doors have a center rail for select door styles - refer to door style section.

Inset toe kick construction requires BTK8 matching toe kick - must be ordered separately.

See see page 45 for Ceiling Height Requirements information.

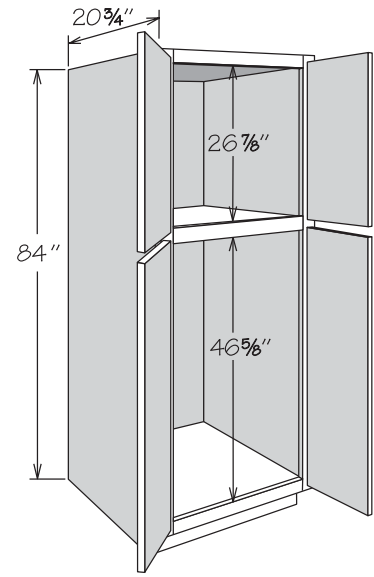
Vanity Linen Cabinet

2 Doors
No Shelves



Vanity Linen Cabinet

4 Butt Doors
No Shelves



VANITY CABINETS

- VLC122184
- VLC152184
- VLC182184
- VLC122184 SD
- VLC152184 SD
- VLC182184 SD

| |
|------|
| APC |
| CFO |
| FE |
| ■ MI |
| PE |
| RD |

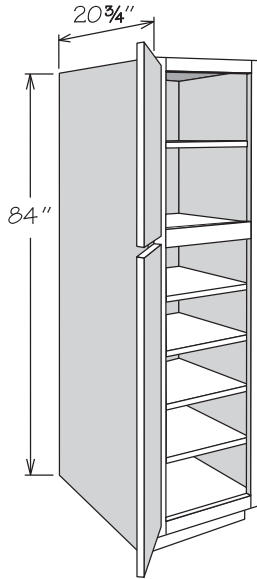
- Shelving and optional interior accessories may be ordered separately - refer to Vanity Linen Accessories for details
- Cabinet backs are pre-drilled to accept up to four Deep Roll Out Trays in lower section

- VLC242184 BUTT
- VLC242184 BUTT SD

| |
|------|
| APC |
| CFO |
| FE |
| ■ MI |
| PE |
| RD |

- Shelving and optional interior accessories may be ordered separately - refer to Vanity Linen Accessories for details
- Cabinet backs are pre-drilled to accept up to four Deep Roll Out Trays in lower section

Vanity Linen Cabinet
2 Doors with Adjustable Shelves

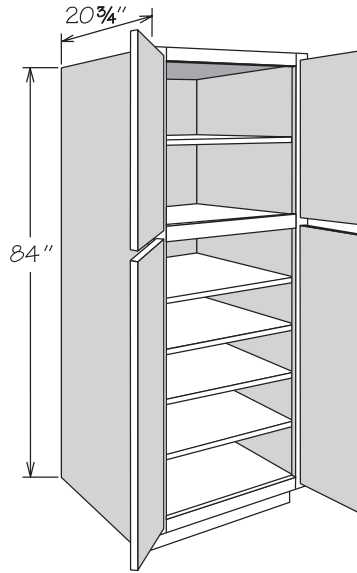


- VLC122184 AS
 - VLC152184 AS
 - VLC182184 AS
- VLC122184 AS SD
VLC152184 AS SD
VLC182184 AS SD

| |
|------|
| APC |
| FE |
| ■ MI |
| PE |
| RD |

- Features one full-depth adjustable shelf in top section and four full-depth shelves in lower section
- Full-depth adjustable shelves are 3/4" engineered wood and edge banded on front edge only
- Adjustable shelves packaged separately for field installation

Vanity Linen Cabinet
4 Butt Doors with Adjustable Shelves

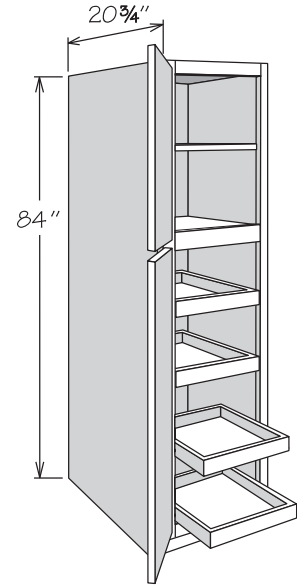


- VLC242184 AS BUTT
- VLC242184 AS BUTT SD

| |
|------|
| APC |
| FE |
| ■ MI |
| PE |
| RD |

- Features one full-depth adjustable shelf in top section and four full-depth shelves in lower section
- Full-depth adjustable shelves are 3/4" engineered wood and edge banded on front edge only
- Adjustable shelves packaged separately for field installation

Vanity Linen Cabinet
2 Doors with Deep Roll Out Trays



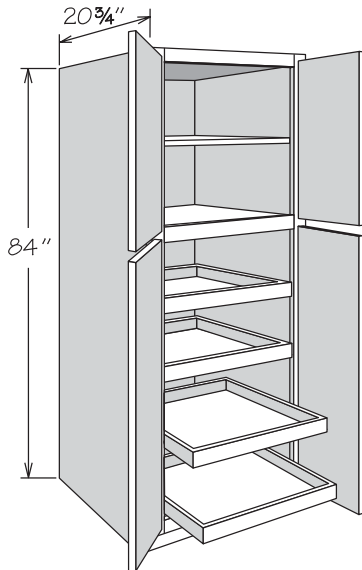
- VLC122184 4ROT
 - VLC152184 4ROT
 - VLC182184 4ROT
- VLC122184 4ROT SD
VLC152184 4ROT SD
VLC182184 4ROT SD

| |
|------|
| APC |
| FE |
| ■ MI |
| PE |
| RD |

- Features one full-depth adjustable shelf in top section and four Deep Roll Out Trays in lower section
- Full-depth adjustable shelf is 3/4" engineered wood and edge banded on front edge only
- Adjustable shelf and Deep Roll Out Trays packaged separately for field installation

Vanity Linen Cabinet

4 Butt Doors with Deep Roll Out Trays



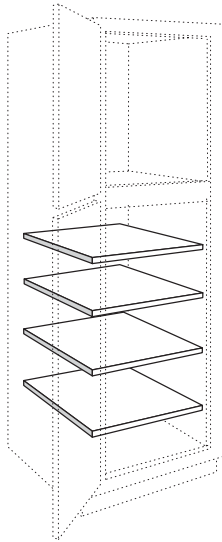
- VLC242184 4ROT BUTT
- VLC242184 4ROT BUTT SD

| |
|------|
| APC |
| FE |
| ■ MI |
| PE |
| RD |

- Features one full-depth adjustable shelf in top section and four Deep Roll Out Trays in lower section
- Full-depth adjustable shelf is 3/4" engineered wood and edge banded on front edge only
- Adjustable shelf and Deep Roll Out Trays packaged separately for field installation

Vanity Linen Cabinet

Adjustable Shelf or 4 Pack Shelf Kit



Adjustable Shelf

- S1221
- S1521
- S1821
- S2421

4 Pack Shelf Kit

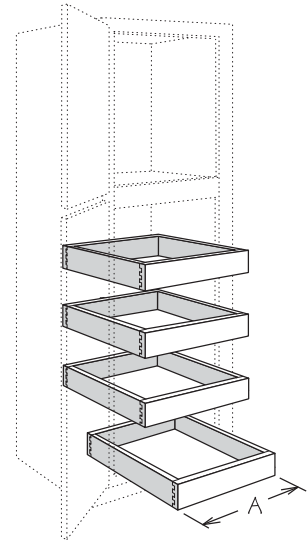
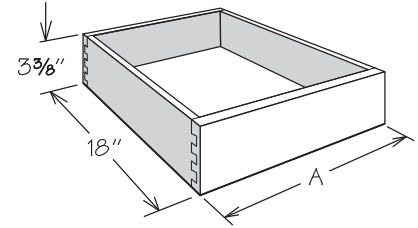
- SK1221
- SK1521
- SK1821
- SK2421

| |
|-----|
| APC |
| MI |
| RD |

- Field installation accessory
- 3/4" engineered wood in natural finish
- Edge banded on front edge only
- CLIP LOCK shelf rests included

Vanity Linen Cabinet

Deep Roll Out Tray Kit or
4 Pack Deep Roll Out Tray Kit



| | A |
|----------|---------|
| DROT1221 | 7 3/4" |
| DROT1521 | 10 3/4" |
| DROT1821 | 13 3/4" |
| DROT2421 | 19 3/4" |

Deep Roll Out Tray Kit

- DROT1221
- DROT1521
- DROT1821
- DROT2421

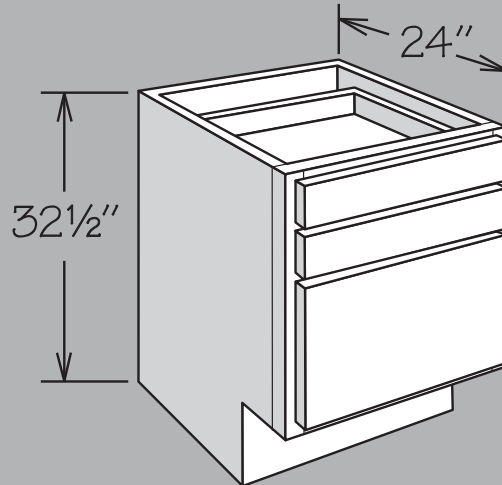
4 Pack Deep Roll Out Tray Kit

- DROT1221-4K
- DROT1521-4K
- DROT1821-4K
- DROT2421-4K

| |
|----|
| RD |
|----|

- Field installation accessory
- Natural finish dovetail drawer with engineered wood bottom
- Includes Deep Roll Out Tray, all glide hardware and installation instructions

Universal Design Cabinets for Accessible Kitchen Layouts



Dimensions

| Width | Height | Depth | Inset Toe Kick |
|------------|--------|---|---------------------|
| 12" to 45" | 32½" | 24" (Reduced Depth optional on select cabinets) | 8" High 6½" Deep |

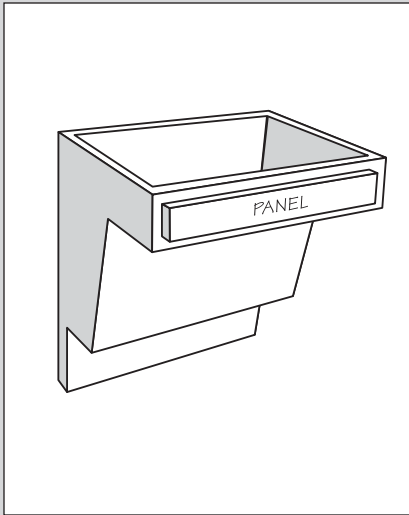
SKU Coding

| DB | 21 | UD |
|--|-----------------|--------------|
| Cabinet Type (e.g., DB = Drawer Base) | Width in Inches | Cabinet Type |

Construction Options & Modifications

| | | |
|------------|-------|--------------------------|
| APC | | All Plywood Construction |
| CFO | | Cabinet Front Only |
| FE | | Furniture Ends |
| PE | | Plywood Ends |
| RD | | Reduced Depth |
| RTK | | Recessed Toe Kick |
| VTD | | Void Top Drawer |

Universal Design Cabinets



Universal Design Base Cabinets are 32½" high by 20¾" or 24" deep. The toe kick is 8" high and 6½" deep to accommodate most wheelchair footrests.

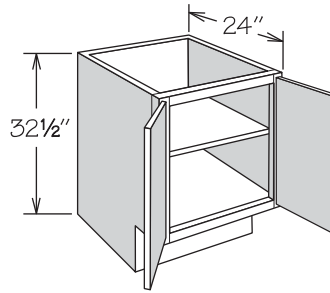
Single-door Universal Design Base Cabinets are hinged left and can be reversed in the field.

Inset toe kick construction requires use of BTK8 UD matching toe kick - must be ordered separately.

UNIVERSAL DESIGN CABINETS

Universal Design Base Cabinet

2 Butt Doors, 1 Adjustable Shelf

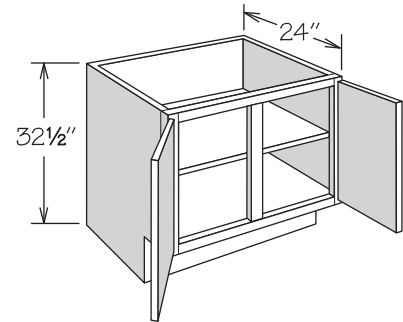


| | |
|-------------|-----|
| B24 UD BUTT | APC |
| B27 UD BUTT | CFO |
| B30 UD BUTT | FE |
| B33 UD BUTT | PE |
| B36 UD BUTT | RD |
| | RTK |

- ¾" full-depth adjustable shelf
- Center support for shelf provided

Universal Design Base Cabinet

2 Doors, 1 Adjustable Shelf

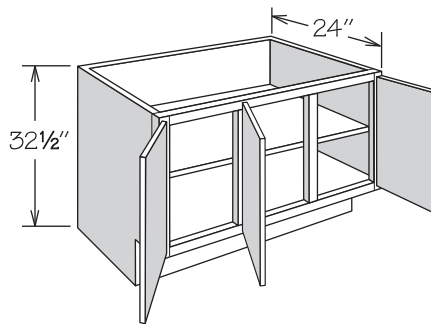


| | |
|--------|-----|
| B39 UD | APC |
| B42 UD | CFO |
| | FE |
| | PE |
| | RD |
| | RTK |

- ¾" full-depth adjustable shelf
- Center support for shelf provided

Universal Design Base Cabinet

3 Doors, 1 Adjustable Shelf

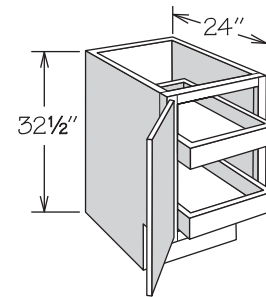


| | |
|--------|-----|
| B45 UD | APC |
| | CFO |
| | FE |
| | PE |
| | RD |
| | RTK |

- ¾" full-depth adjustable shelf
- Center support for shelf provided
- Hinged as shown - can be reversed in the field

Universal Design Base Cabinet

1 Door, 2 Deep Roll Out Trays

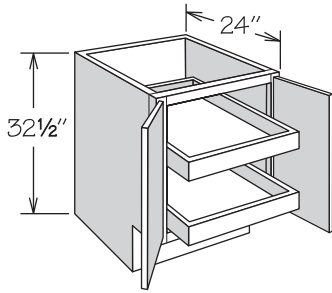


| | |
|-------------|-----|
| B12 2FWT UD | APC |
| B15 2FWT UD | FE |
| B18 2FWT UD | PE |
| B21 2FWT UD | RD |
| | RTK |

- Two Deep Roll Out Trays (DROT)
- Deep Roll Out Trays are not adjustable
- Recessed Toe Kick Both (RTKB) not available for B12 2FWT UD and B15 2FWT UD

**Universal Design
Base Cabinet**

2 Butt Doors, 2 Deep Roll Out Trays



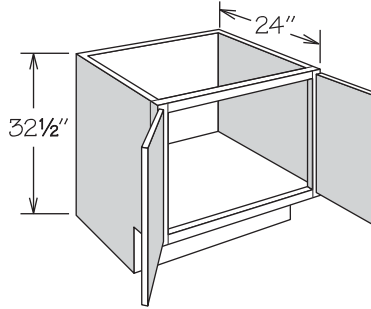
B24 2FWT UD BUTT

| |
|-----|
| APC |
| FE |
| PE |
| RD |
| RTK |

- Two Deep Roll Out Trays (DROT)
- Deep Roll Out Trays are not adjustable

**Universal Design
Sink/Cooktop Base**

2 Butt Doors



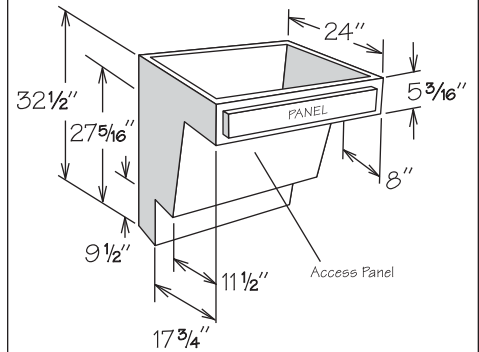
SB30 BUTT UD
SB33 BUTT UD
SB36 BUTT UD

| |
|-----|
| APC |
| CFO |
| FE |
| PE |
| RD |
| RTK |

- No shelf
- Full-height back
- Subtract 1 1/2" from width and depth for available sink bowl opening
- Refer to sink or appliance manufacturer's specifications for adequate clearance and required installation materials

**Universal Design
Base Plumbing Skirt**

1 Panel



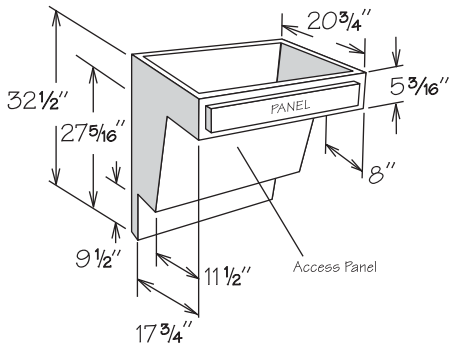
BPS30 UD
BPS36 UD

| |
|-----|
| APC |
| FE |

- Features plywood sides
- Removable front access panel
- Subtract 1 1/2" from width and depth for available sink bowl opening
- Maximum available depth inside cabinet for sink bowl is 5"
- Water lines, drains and P-Trap must be installed at 6" maximum from wall
- Refer to sink manufacturer's specifications for adequate clearance and required installation materials
- Matching toe kick included - BTK8 UD not required

**Universal Design
Vanity Plumbing Skirt**

1 Panel



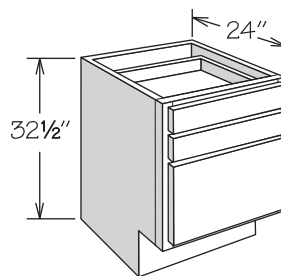
VPS30 UD
VPS36 UD

| |
|-----|
| APC |
| FE |

- Features plywood sides
- Removable front access panel
- Subtract 1 1/2" from width and depth for available sink bowl opening
- Maximum available depth inside cabinet for sink bowl is 5"
- Water lines, drains and P-Trap must be installed at 6" maximum from wall
- Refer to sink manufacturer's specifications for adequate clearance and required installation materials
- Matching toe kick included - BTK8 UD not required

**Universal Design
Drawer Base Cabinet**

3 Drawers



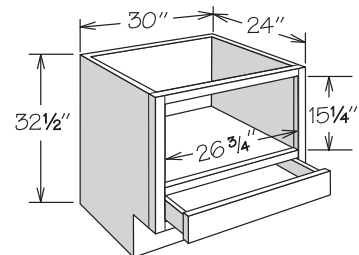
DB12 UD
DB15 UD
DB18 UD
DB21 UD
DB24 UD

| |
|-----|
| APC |
| CFO |
| FE |
| PE |
| RD |
| RTK |
| VTD |

- One large and two standard drawers
- Recessed Toe Kick Both (RTKB) not available for the DB12 UD and DB15 UD

**Universal Design
Base Multi-Use**

1 Drawer

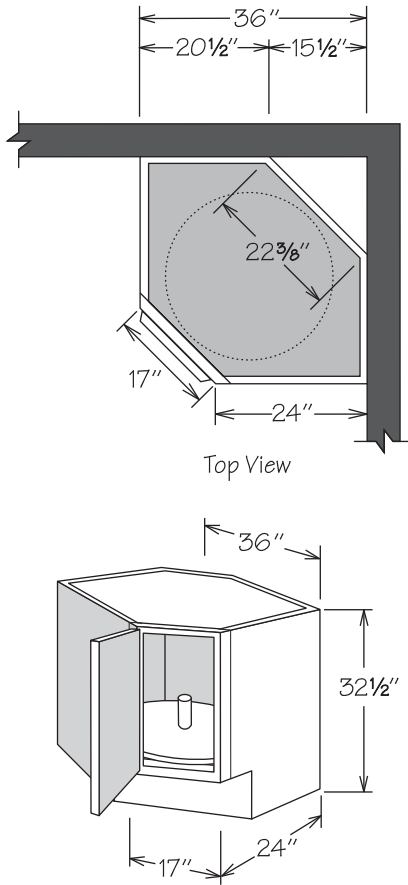


BMU30 UD

| |
|-----|
| APC |
| CFO |
| FE |
| PE |
| RD |
| RTK |

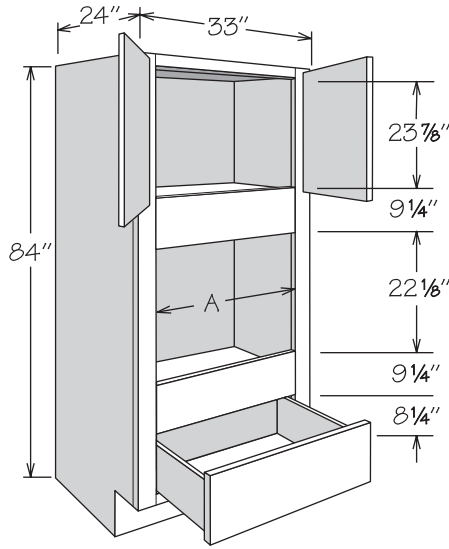
- Designed to accommodate countertop style microwaves or small appliances below countertop
- Interior finished to match cabinet exterior
- Accent Molding recommended (order separately)
- Refer to appliance manufacturer's specifications for adequate clearances and required installation materials

**Universal Design
Corner Base Susan**



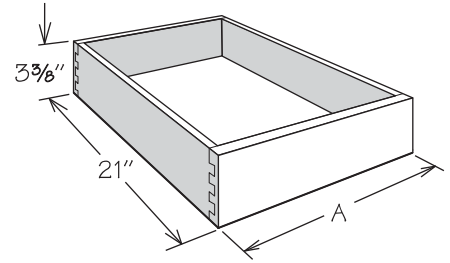
Top View

**Universal Design
Oven Cabinet
2 Butt Doors, 1 Drawer**



| Cut Out Dimensions | A | A | B | B |
|-----------------------|---------|------|---------|---------|
| | Actual | Max. | Actual | Max. |
| OVS3384 UD BUTT | 26 3/4" | 31" | 22 1/4" | 37 3/8" |

Deep Roll Out Tray Kit



| | A | Base Cabinet Size |
|--------|---------|----------------------|
| DROT12 | 7 3/4" | 12" |
| DROT15 | 10 3/4" | 15" |
| DROT18 | 13 3/4" | 18" |
| DROT19 | 15 1/4" | 19" |
| DROT21 | 16 3/4" | 21" |
| DROT24 | 19 3/4" | 24" |
| DROT27 | 22 3/4" | 27" |
| DROT30 | 25 3/4" | 30" |
| DROT33 | 28 3/4" | 33" |
| DROT36 | 31 3/4" | 36" |

UNIVERSAL DESIGN CABINETS

CBS36 UD

| |
|-----|
| APC |
| FE |
| PE |

- Features one 28" diameter full round white spin shelf mounted on floor
- Sides are finished
- Cabinet requires a minimum of 34" to fit through doorway (removal of cabinet door recommended)
- Additional space recommended if appliance is installed on the hinge side of this cabinet for proper door operation

OVS3384 UD BUTT

| |
|-----|
| APC |
| CFO |
| FE |
| PE |
| RD |

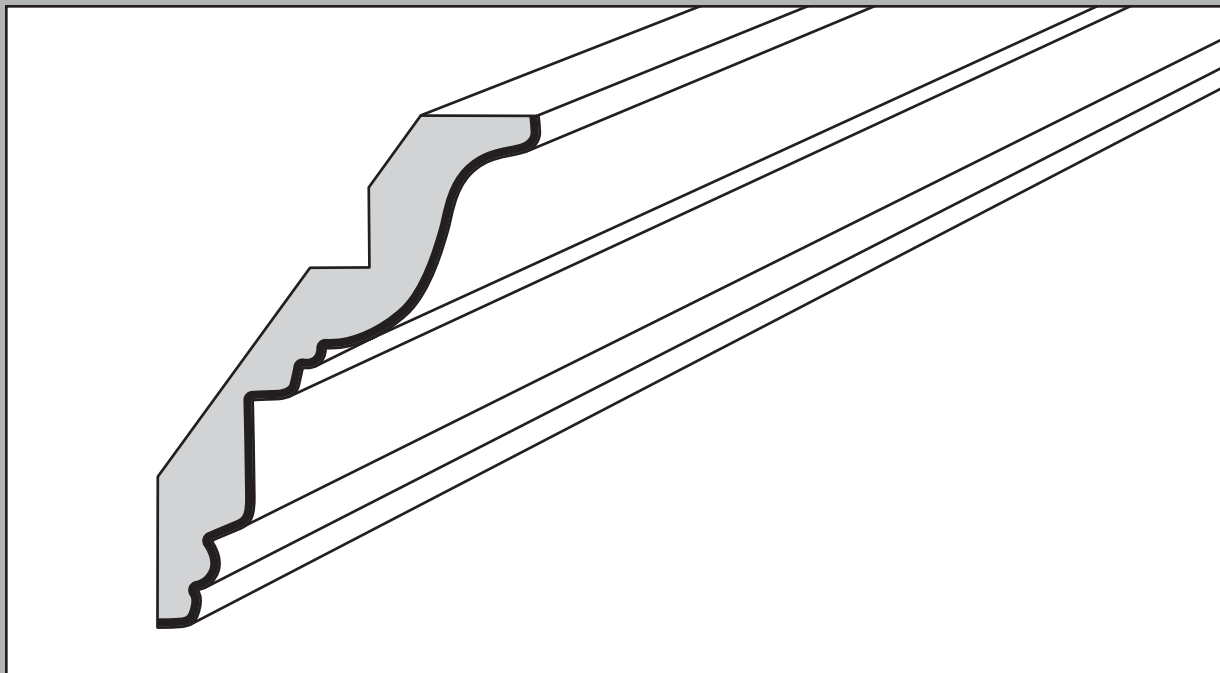
- No shelf
- 3 1/8" stiles
- Features a solid back
- Full overlay door styles feature face-mount hinges
- Refer to appliance manufacturer's specifications for adequate clearances and required installation materials
- Heat Shield Kit (HSK) recommended for Duraform thermofoil door styles

DROT12
DROT15
DROT18
DROT19
DROT21
DROT24
DROT27
DROT30
DROT33
DROT36

RD

- Field installation accessory
- Natural finish dovetail drawer with engineered wood bottom
- Includes tray, all glide hardware and installation instructions
- DROT drill template is required for all two door cabinets that have a fixed center stile - contact Customer Care for drill template

Molding



All moldings are available in all finishes, unless otherwise noted.

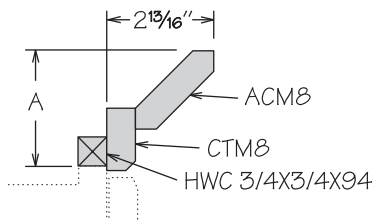
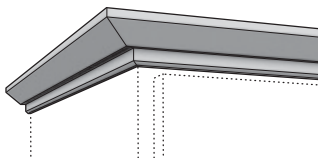
Bold line indicates finished surfaces.

Moldings are made from individual pieces of wood and may vary in color.

Molding stacks are ordered as a kit and if returned, must be returned as a kit.

For molding build-ups inspired by door style, visit Designer Resources at <http://resources.woodmarkcabinetry.com/>.

Molding Stack
MS MODERN 100

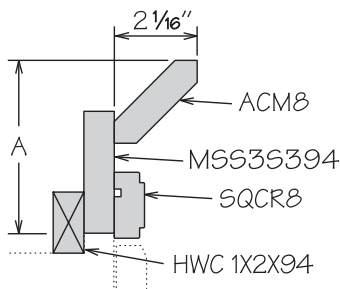
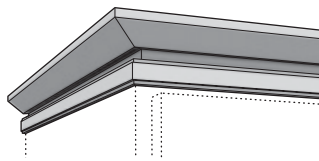


| | Height Shown | A Min. | A Max. |
|---------------|--------------|---------|--------|
| MS MODERN 100 | 3" | 2 3/16" | 3" |

MS MODERN 100

- 94" long
- Height dimensions are the above-face-frame height when used as shown
- Pre-packaged molding kit includes:
 - ACM8
 - CTM8
 - HWC 3/4X3/4X94
- Molding Stacks shipped unassembled
- Molding Stacks to be cut, assembled and field installed at job site
- Only one finish can be specified per Molding Stack
- All door styles feature solid wood finished to match cabinet box exterior
- Molding Stack diagram included
- Refer to specifications on individual molding included in molding stack

Molding Stack
MS MODERN 200

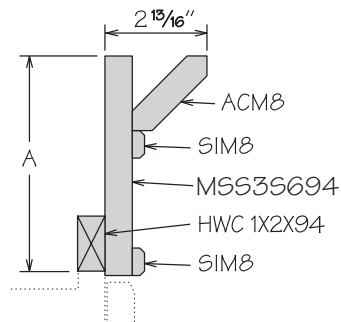
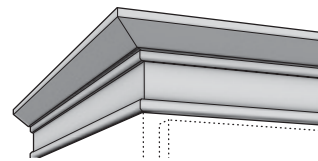


| | Height Shown | A Min. | A Max. |
|---------------|--------------|---------|--------|
| MS MODERN 200 | 4 1/4" | 3 3/16" | 4 1/2" |

MS MODERN 200

- 94" long
- Height dimensions are the above-face-frame height when used as shown
- Pre-packaged molding kit includes:
 - ACM8
 - MSS3S394
 - SQCR8
 - HWC 1X2X94
- Molding Stacks shipped unassembled
- Molding Stacks to be cut, assembled and field installed at job site
- Only one finish can be specified per Molding Stack
- All door styles feature solid wood finished to match cabinet box exterior
- Molding Stack diagram included
- Refer to specifications on individual molding included in molding stack

Molding Stack
MS MODERN 300

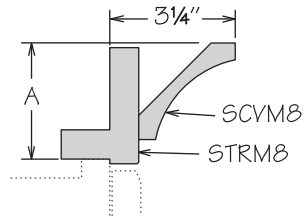
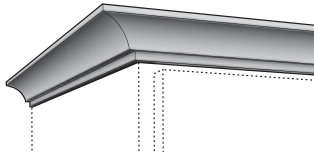


| | Height Shown | A Min. | A Max. |
|---------------|--------------|--------|--------|
| MS MODERN 300 | 5 7/8" | 5 3/8" | 7 3/8" |

MS MODERN 300

- 94" long
- Height dimensions are the above-face-frame height when used as shown
- Pre-packaged molding kit includes:
 - ACM8
 - SIM8 (2)
 - MSS3S694
 - HWC 1X2X94
- Molding Stacks shipped unassembled
- Molding Stacks to be cut, assembled and field installed at job site
- Only one finish can be specified per Molding Stack
- All door styles feature solid wood finished to match cabinet box exterior
- Molding Stack diagram included
- Refer to specifications on individual molding included in molding stack

**Molding Stack
MS TRANSITIONAL 100**

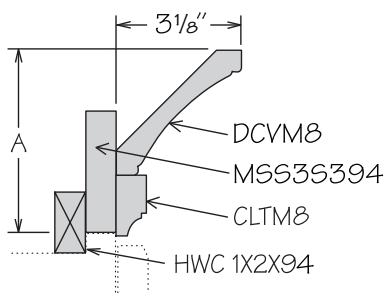
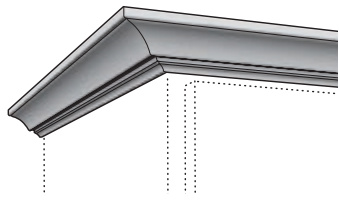


| | Height Shown | A Min. | A Max. |
|---------------------|--------------|--------|--------|
| MS TRANSITIONAL 100 | 3" | 2 7/8" | 4 3/4" |

MS TRANSITIONAL 100

- 94" long
- Height dimensions are the above-face-frame height when used as shown
- Pre-packaged molding kit includes:
 - SCVM8
 - STRM8
- Molding Stacks shipped unassembled
- Molding Stacks to be cut, assembled and field installed at job site
- Only one finish can be specified per Molding Stack
- All door styles feature solid wood finished to match cabinet box exterior
- Molding Stack diagram included
- Refer to specifications on individual molding included in molding stack

**Molding Stack
MS TRANSITIONAL 200**

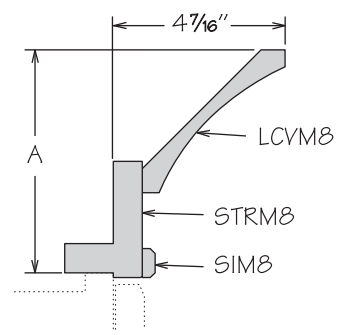
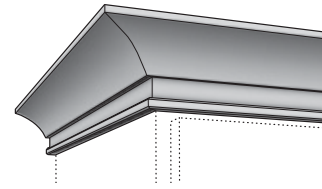


| | Height Shown | A Min. | A Max. |
|---------------------|--------------|--------|--------|
| MS TRANSITIONAL 200 | 4 1/2" | 4 1/2" | 5 1/2" |

MS TRANSITIONAL 200

- 94" long
- Height dimension is the above-face-frame height when used as shown
- Pre-packaged molding kit includes:
 - DCVM8
 - CLTM8
 - MSS3S394
 - HWC 1X2X94
- Molding Stacks shipped unassembled
- Molding Stacks to be cut, assembled and field installed at job site
- Only one finish can be specified per Molding Stack
- All door styles feature solid wood finished to match cabinet box exterior
- Molding Stack diagram included
- Refer to specifications on individual molding included in molding stack

**Molding Stack
MS TRANSITIONAL 300**

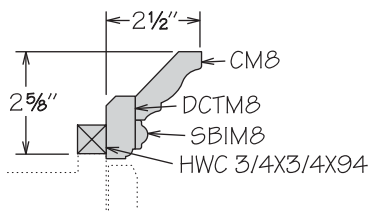
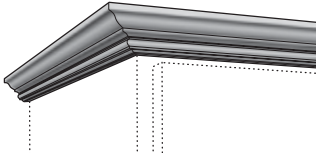


| | Height Shown | A Min. | A Max. |
|---------------------|--------------|--------|----------|
| MS TRANSITIONAL 300 | 5 3/4" | 4 3/8" | 5 15/16" |

MS TRANSITIONAL 300

- 94" long
- Height dimensions are the above-face-frame height when used as shown
- Pre-packaged molding kit includes:
 - LCVMB
 - STRM8
 - SIM8
- Molding Stacks shipped unassembled
- Molding Stacks to be cut, assembled and field installed at job site
- Only one finish can be specified per Molding Stack
- All door styles feature solid wood finished to match cabinet box exterior
- Molding Stack diagram included
- Refer to specifications on individual molding included in molding stack

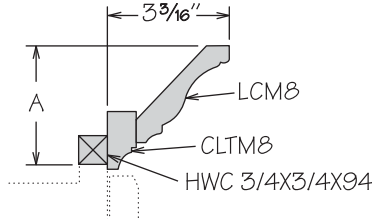
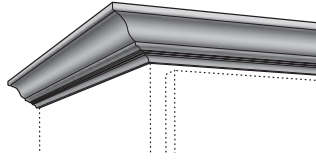
Molding Stack
MS CLASSIC 100



MS CLASSIC 100

- 94" long
- Height dimension is the above-face-frame height when used as shown
- Pre-packaged molding kit includes:
 - CM8
 - DCTM8
 - SBIM8
 - HWC 3/4X3/4X94
- Molding Stacks shipped unassembled
- Molding Stacks to be cut, assembled and field installed at job site
- Only one finish can be specified per Molding Stack
- All door styles feature solid wood finished to match cabinet box exterior
- Molding Stack diagram included
- Refer to specifications on individual molding included in molding stack

Molding Stack
MS CLASSIC 200

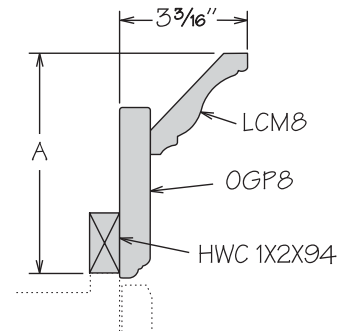
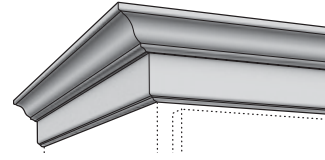


| | Height Shown | A Min. | A Max. |
|----------------|--------------|--------|--------|
| MS CLASSIC 200 | 3 1/8" | 2 1/8" | 3 3/8" |

MS CLASSIC 200

- 94" long
- Height dimensions are the above-face-frame height when used as shown
- Pre-packaged molding kit includes:
 - LCM8
 - CLTM8
 - HWC 3/4X3/4X94
- Molding Stacks shipped unassembled
- Molding Stacks to be cut, assembled and field installed at job site
- Only one finish can be specified per Molding Stack
- All door styles feature solid wood finished to match cabinet box exterior
- Molding Stack diagram included
- Refer to specifications on individual molding included in molding stack

Molding Stack
MS CLASSIC 300

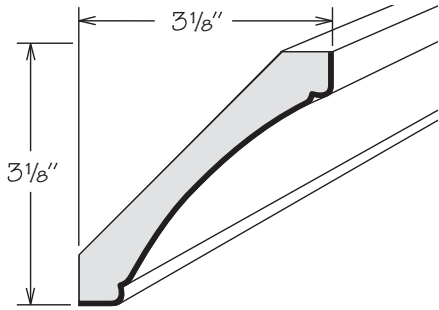


| | Height Shown | A Min. | A Max. |
|----------------|--------------|--------|--------|
| MS CLASSIC 300 | 5 1/2" | 4 1/4" | 6" |

MS CLASSIC 300

- 94" long
- Height dimensions are the above-face-frame height when used as shown
- Pre-packaged molding kit includes:
 - LCM8
 - OGP8
 - HWC 1X2X94
- Molding Stacks shipped unassembled
- Molding Stacks to be cut, assembled and field installed at job site
- Only one finish can be specified per Molding Stack
- All door styles feature solid wood finished to match cabinet box exterior
- Molding Stack diagram included
- Refer to specifications on individual molding included in molding stack

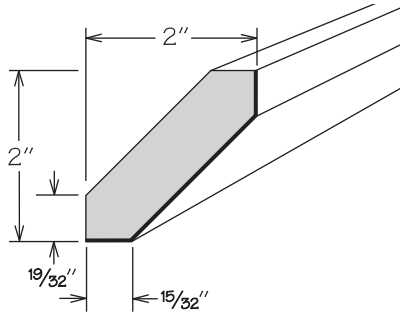
Decorative Cove Molding



DCVM8

- 94" long
- All door styles feature solid wood finished to match cabinet box exterior

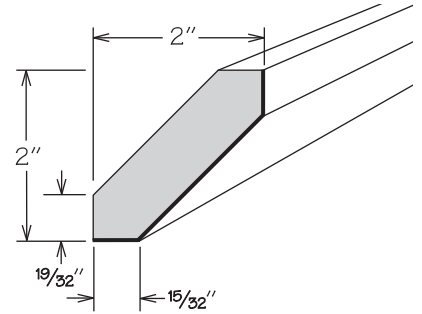
Angle Crown Molding



ACM8

- 94" long
- Wood, Painted and Duraform (Breeze and Drift) door styles feature solid wood finished to match cabinet box exterior
- Duraform (Espresso, Harbor, Linen, Stone) door styles feature Duraform wrapped MDF
- When ordered as a Molding Stack, Duraform door styles are finished to match cabinet box exterior

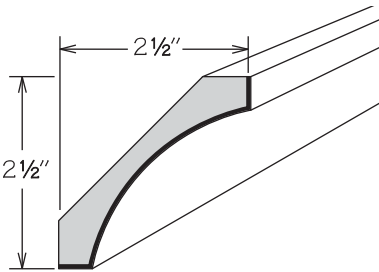
**Angle Crown Molding
Duraform Textured**



ACM8 DT

- 94" long
- For Breeze and Drift finishes only
- Features textured PVC-wrapped engineered wood finished to match cabinet door

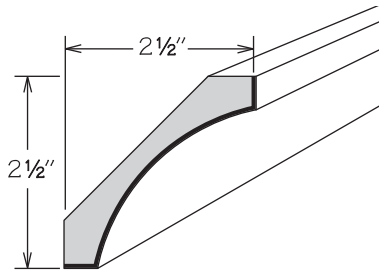
Small Cove Molding



SCVM8

- 94" long
- All door styles feature solid wood finished to match cabinet box exterior

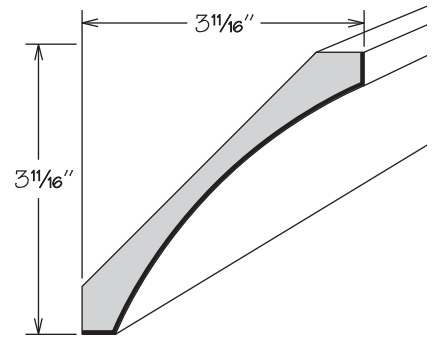
**Small Cove Molding
Duraform Textured**



SCVM8 DT

- 94" long
- For Breeze and Drift finishes only
- Features textured PVC-wrapped engineered wood finished to match cabinet door

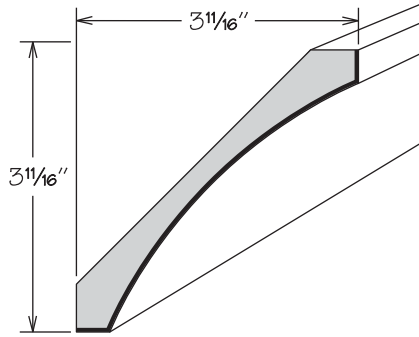
Large Cove Molding



LCVM8

- 94" long
- All door styles feature solid wood finished to match cabinet box exterior

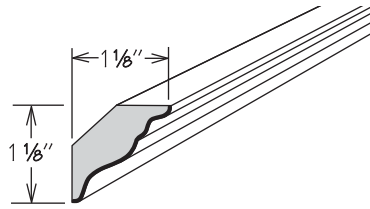
Large Cove Molding
Duraform Textured



LCVM8 DT

- 94" long
- For Breeze and Drift finishes only
- Features textured PVC-wrapped engineered wood finished to match cabinet door

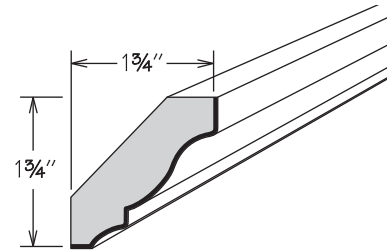
Soffit Crown Molding



SCM8

- 94" long
- Wood, Painted and Duraform (Breeze and Drift) door styles feature solid wood finished to match cabinet box exterior
- Duraform (Espresso, Harbor, Linen, Stone) door styles feature Duraform wrapped MDF

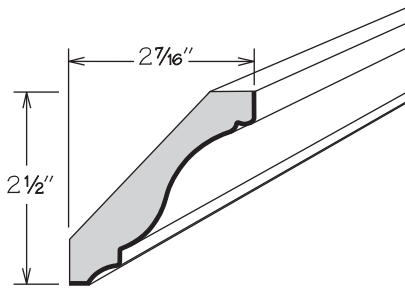
Crown Molding



CM8

- 94" long
- Wood, Painted and Duraform (Breeze and Drift) door styles feature solid wood finished to match cabinet box exterior
- Duraform (Espresso, Harbor, Linen, Stone) door styles feature Duraform wrapped MDF
- When ordered as a Molding Stack, Duraform door styles are finished to match cabinet box exterior

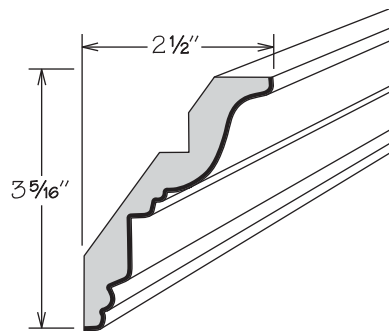
Large Crown Molding



LCM8

- 94" long
- All door styles feature solid wood finished to match cabinet box exterior

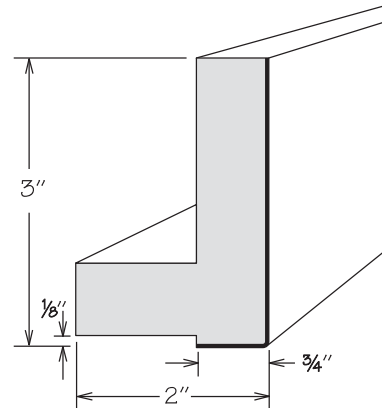
Traditional Classic Crown Molding



TCCM8

- 94" long
- Wood, Painted and Duraform (Breeze and Drift) door styles feature solid wood finished to match cabinet box exterior
- Duraform (Espresso, Harbor, Linen, Stone) door styles feature Duraform wrapped MDF
- May use SBIM8 and SIM8 as accent

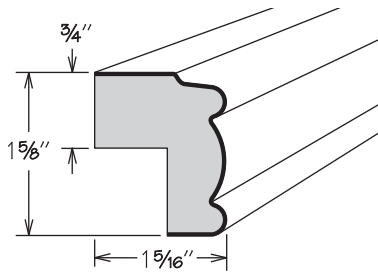
Starter Molding



STRM8

- 94" long
- All door styles feature solid wood finished to match cabinet box exterior

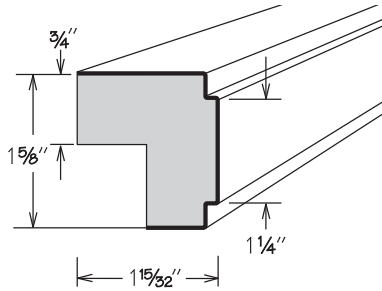
Small Traditional Light Rail Molding



STLR8

- 94" long
- All door styles feature solid wood finished to match cabinet box exterior

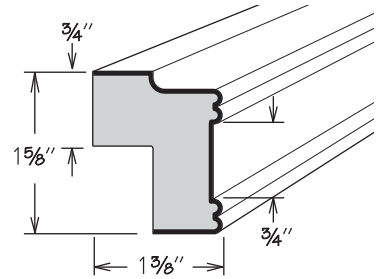
Square Light Rail Molding



SQLR8

- 94" long
- All door styles feature solid wood finished to match cabinet box exterior

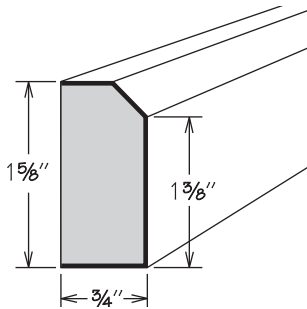
Inset Light Rail Molding



ILR8

- 94" long
- All door styles feature solid wood finished to match cabinet box exterior
- May use SBIM8 and SIM8 as accent

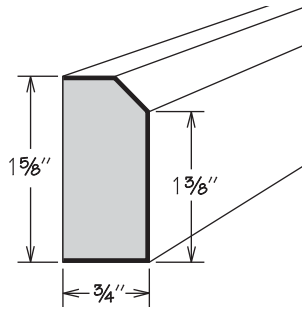
Contemporary Trim Molding



CTM8

- 94" long
- All door styles feature solid wood finished to match cabinet box exterior
- Can be used as light rail molding

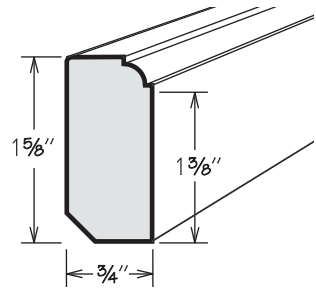
**Contemporary Trim Molding
Duraform Textured**



CTM8 DT

- 94" long
- For Breeze and Drift finishes only
- Features textured PVC-wrapped engineered wood finished to match cabinet door
- Can be used as light rail molding

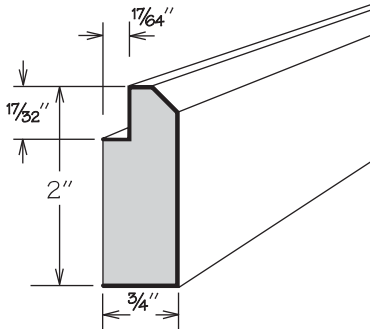
Decorative Trim Molding



DCTM8

- 94" long
- All door styles feature solid wood finished to match cabinet box exterior
- Can be used as light rail molding

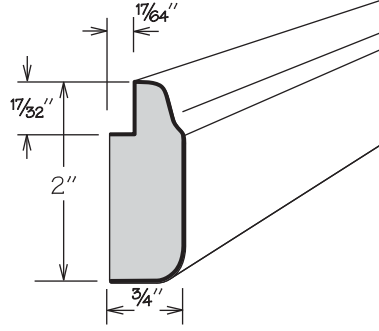
Shaker Mirror Molding



SMM8

- 94" long
- All door styles feature solid wood finished to match cabinet box exterior

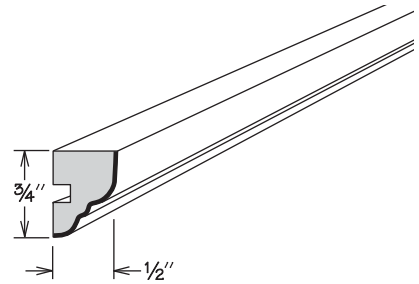
Mirror Molding



MM8

- 94" long
- All door styles feature solid wood finished to match cabinet box exterior

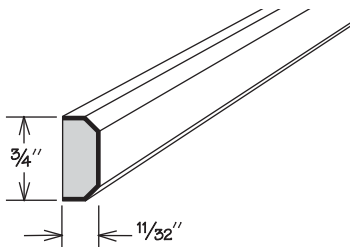
Ogee Molding



OGE8

- 94" long
- All door styles feature solid wood finished to match cabinet box exterior

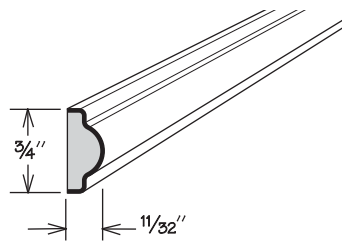
Shaker Insert Molding



SIM8

- 94" long
- All door styles feature solid wood finished to match cabinet box exterior
- May be used as accent on TCCM8 and ILR8

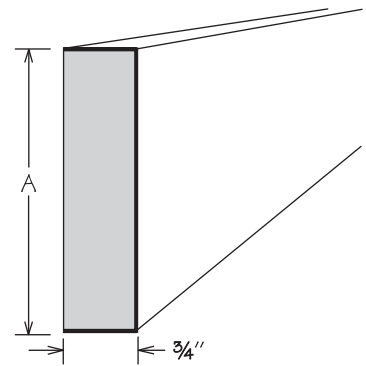
Single Bead Insert Molding



SBIM8

- 94" long
- All door styles feature solid wood finished to match cabinet box exterior
- May be used as accent on TCCM8 and ILR8

3-Sided Molding Stock

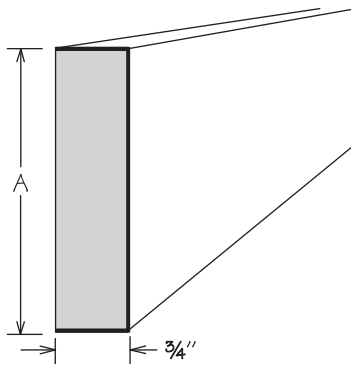


| | A |
|----------|----|
| MSS3S394 | 3" |
| MSS3S694 | 6" |

MSS3S394
MSS3S694

- 94" long
- All door styles feature solid wood finished to match cabinet box exterior

3-Sided Stock
Duraform Textured

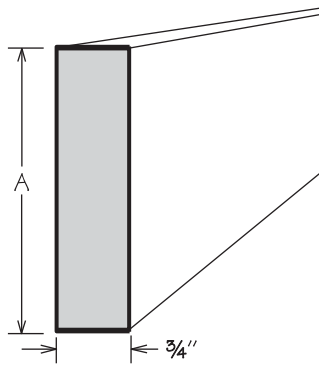


| | |
|-----------|----|
| | A |
| S3S396 DT | 3" |
| S3S696 DT | 6" |

S3S396 DT
S3S696 DT

- 96" long
- For Breeze and Drift finishes only
- Features textured PVC-wrapped engineered wood finished to match cabinet door
- May also be used in vertical applications (as a filler) or horizontal applications (as furniture toe)

4-Sided Stock

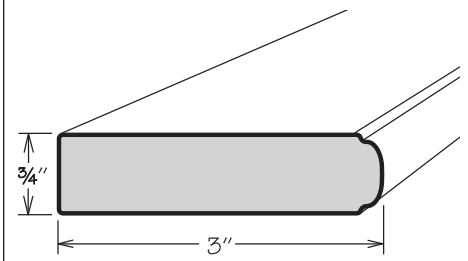


| | |
|--------|----|
| | A |
| S4S396 | 3" |
| S4S696 | 6" |

S4S396
S4S696

- 96" long
- All door styles feature solid wood finished to match cabinet box exterior
- May also be used in vertical applications (as a filler) or horizontal applications (as furniture toe)

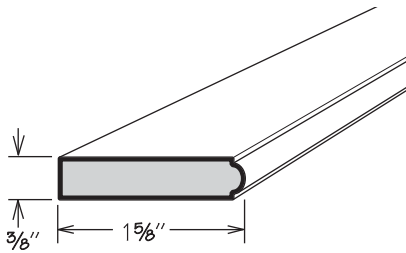
Single Bead Molding



SBM8

- 94" long
- All door styles feature solid wood finished to match cabinet box exterior

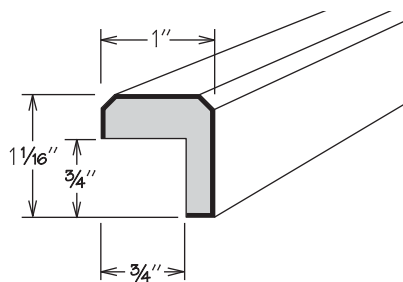
Small Single Bead Molding



SSBM8

- 94" long
- All door styles feature solid wood finished to match cabinet box exterior

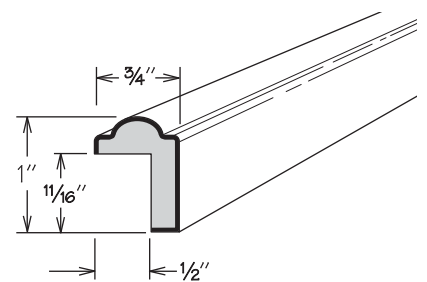
Shaker Accent Molding



SAM8

- 94" long
- All door styles feature solid wood finished to match cabinet box exterior
- May be used as accent on Wall China, Wine Storage, Base Microwave and Void Door cabinets

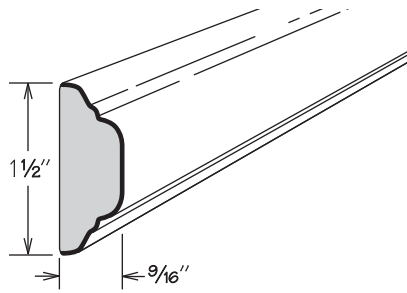
Single Bead Accent Molding



SBAM8

- 94" long
- All door styles feature solid wood finished to match cabinet box exterior
- May be used as accent on Wall China, Wine Storage, Base Microwave and Void Door cabinets

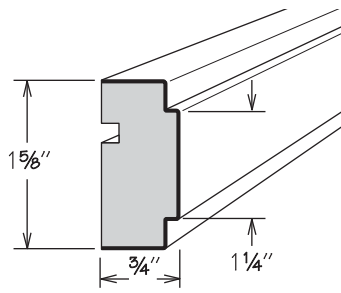
Chair Rail Molding



CR8

- 94" long
- All door styles feature solid wood finished to match cabinet box exterior

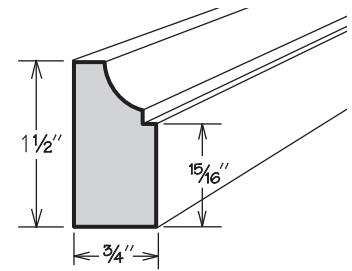
Square Chair Rail Molding



SQCR8

- 94" long
- All door styles feature solid wood finished to match cabinet box exterior

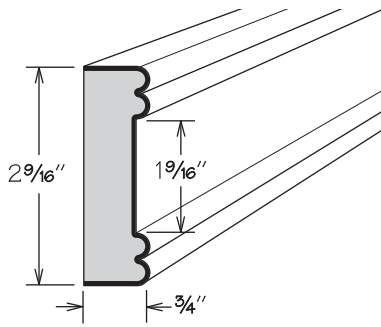
Classic Trim Molding



CLTM8

- 94" long
- All door styles feature solid wood finished to match cabinet box exterior
- Can be used as light rail molding

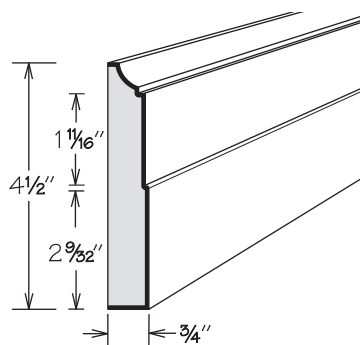
Library Molding



LBM8

- 94" long
- All door styles feature solid wood finished to match cabinet box exterior
- May use SBIM8 and SIM8 as accent

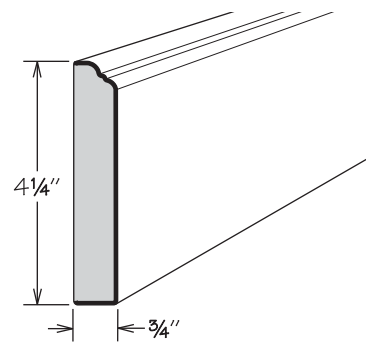
Classic Baseboard Molding



CLBM8

- 94" long
- All door styles feature solid wood finished to match cabinet box exterior
- For use in furniture toe or top molding applications

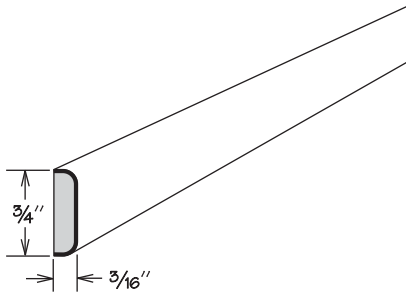
Ogee Pilaster Molding



OGP8

- 94" long
- Wood, Painted and Duraform (Breeze and Drift) door styles feature solid wood finished to match cabinet box exterior
- Duraform (Espresso, Harbor, Linen, Stone) door styles feature Duraform wrapped MDF
- When ordered as a Molding Stack, Duraform door styles are finished to match cabinet box exterior
- For use in furniture toe or top molding applications

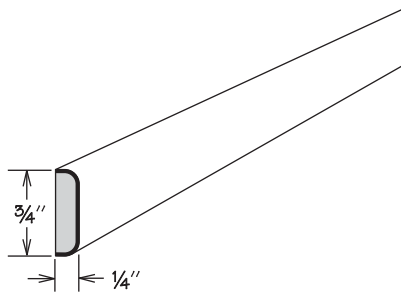
Batten Molding



BM8

- 94" long
- All door styles feature solid wood finished to match cabinet box exterior

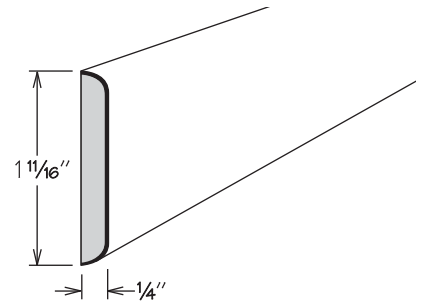
**Batten Molding
Duraform Textured**



BM8 DT

- 94" long
- For Breeze and Drift finishes only
- Features textured PVC-wrapped engineered wood finished to match cabinet door

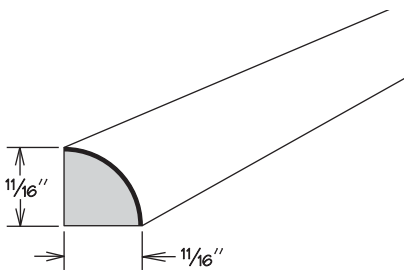
Wide Batten Molding



WBM8

- 94" long
- All door styles feature solid wood finished to match cabinet box exterior

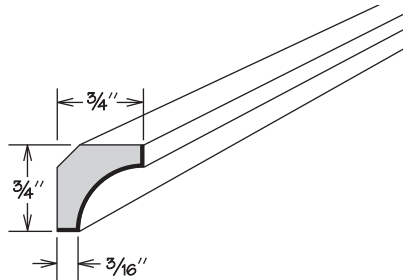
Quarter Round Molding



QR8

- 94" long
- All door styles feature solid wood finished to match cabinet box exterior

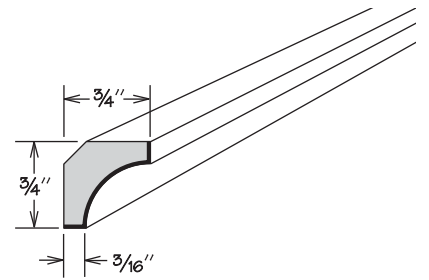
Inside Corner Molding



QM8

- 94" long
- All door styles feature solid wood finished to match cabinet box exterior

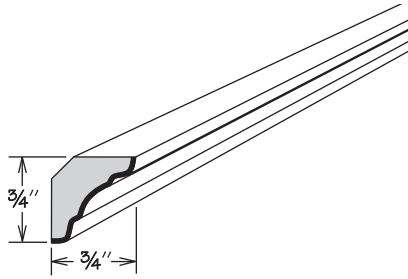
**Inside Corner Molding
Duraform Textured**



QM8 DT

- 94" long
- For Breeze and Drift finishes only
- Features textured PVC-wrapped engineered wood finished to match cabinet door

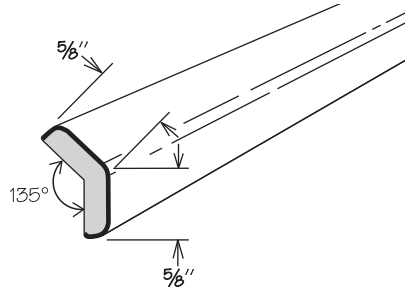
Decorative Inside Corner Molding



ICM8

- 94" long
- All door styles feature solid wood finished to match cabinet box exterior

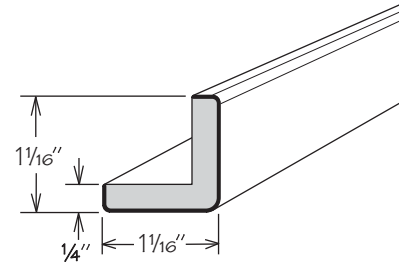
Angled Outside Corner Molding



AOSC8

- 94" long
- All door styles feature solid wood finished to match cabinet box exterior

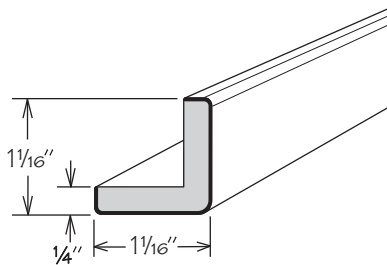
Outside Corner Molding



OTCM8

- 94" long
- All door styles feature solid wood finished to match cabinet box exterior

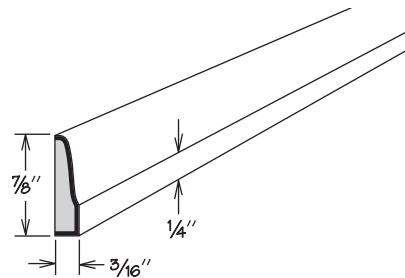
**Outside Corner Molding
Duraform Textured**



OTCM8 DT

- 94" long
- For Breeze and Drift finishes only
- Features textured PVC-wrapped engineered wood finished to match cabinet door

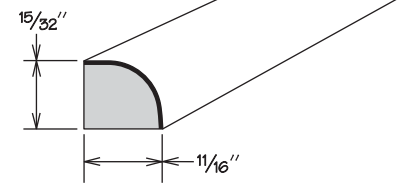
Straight Trim Molding



UM8

- 94" long
- All door styles feature solid wood finished to match cabinet box exterior

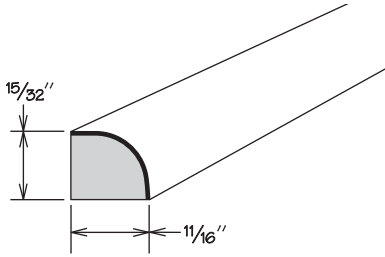
Shoe Molding



SHM8

- 94" long
- All door styles feature solid wood finished to match cabinet box exterior

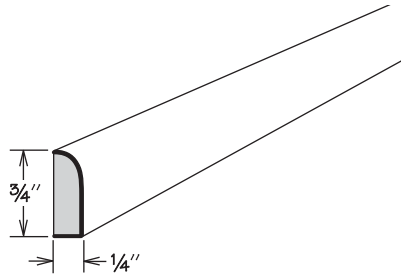
Shoe Molding
Duraform Textured



SHM8 DT

- 94" long
- For Breeze and Drift finishes only
- Features textured PVC-wrapped engineered wood finished to match cabinet door

Scribe Molding

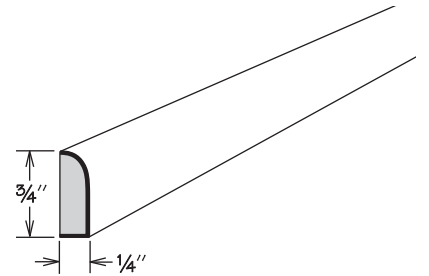


| | A |
|------|------|
| SM8 | 94" |
| SM10 | 120" |

SM8
SM10

- All door styles feature solid wood finished to match cabinet box exterior

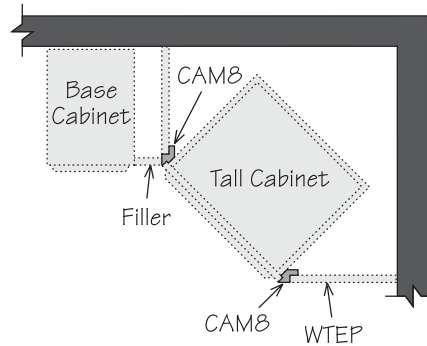
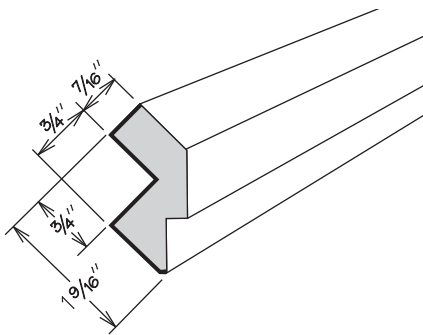
Scribe Molding
Duraform Textured



SM8 DT

- 94" long
- For Breeze and Drift finishes only
- Features textured PVC-wrapped engineered wood finished to match cabinet door

Cabinet Angle Molding

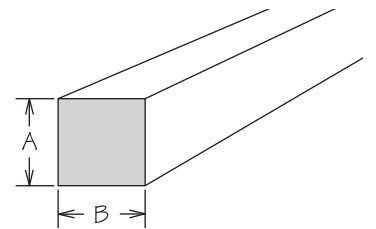


Top View

CAM8

- 94" long
- All door styles feature solid wood finished to match cabinet box exterior
- Used in corner application to place cabinet at 45-degree angle
- Cannot be installed on cabinets with the Furniture Ends Option

Cleat

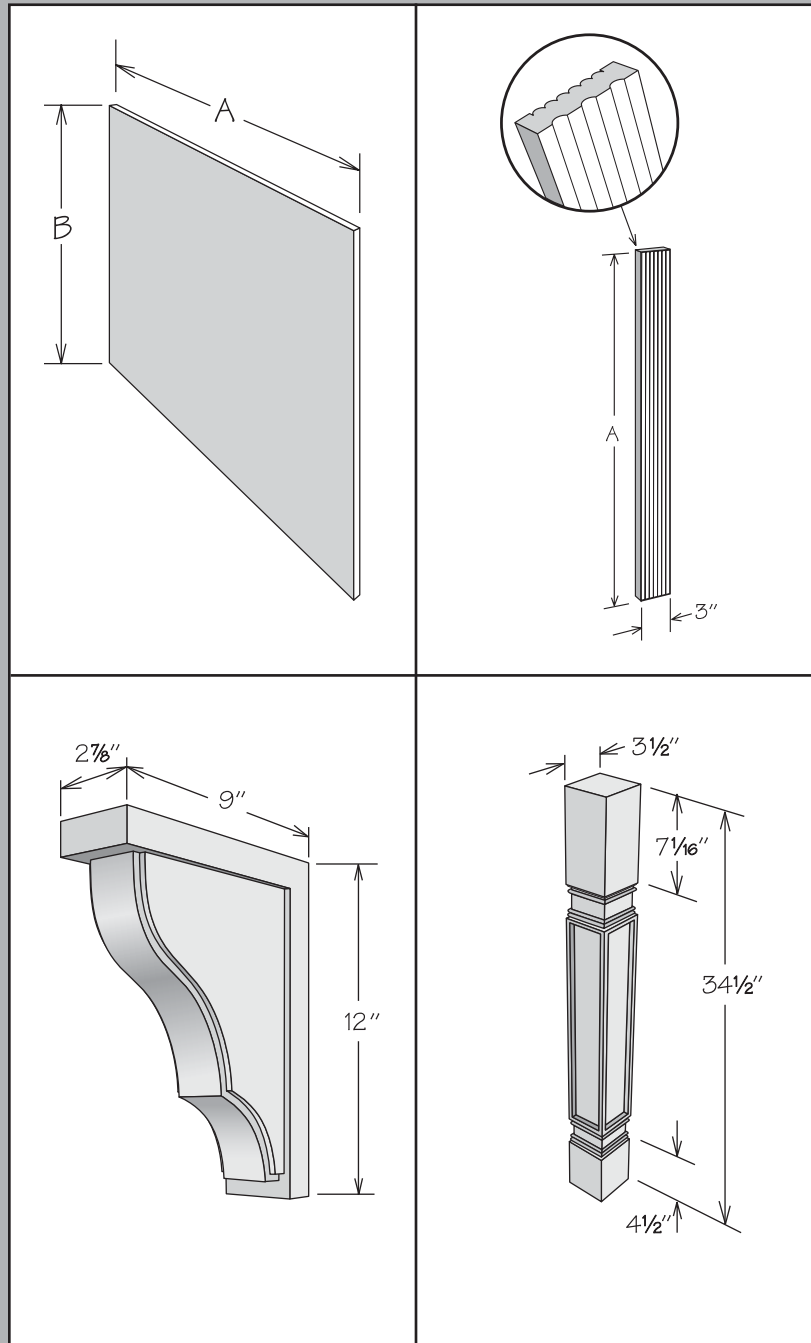


| | A | B | Length |
|----------------|--------|--------|--------|
| HWC 1/2X1/2X94 | 1/2" | 1/2" | 94" |
| HWC 3/4X3/4X94 | 3/4" | 3/4" | 94" |
| HWC 1X2X94 | 3/4" | 1 1/2" | 94" |
| HWC 2X4X96 | 1 1/2" | 3 1/2" | 96" |

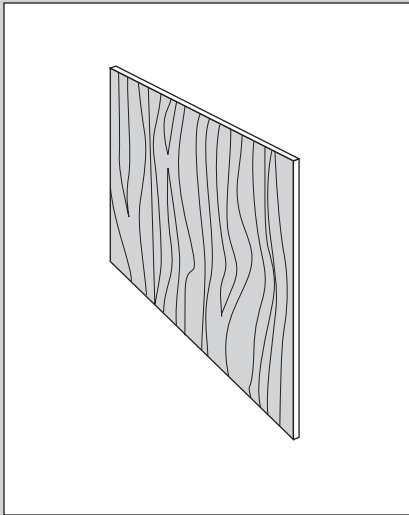
HWC 1/2X1/2X94
HWC 3/4X3/4X94
HWC 1X2X94
HWC 2X4X96

- HWC 1/2X1/2X94 and HWC 3/4X3/4X94 are shipped in two 47" long pieces
- Unfinished

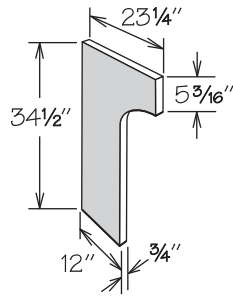
Panels, Fillers & Decorative Items



Panels



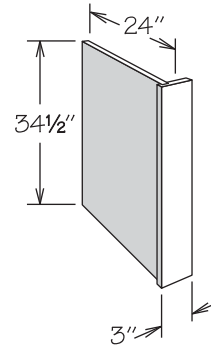
Desk End Panel



DEP

- Features 3/4" engineered wood with both sides finished to match cabinet exterior
- Recommend QM8 be ordered for installation to ensure proper attachment to wall
- Edge banded on front
- Field trimmable

Dishwasher Return

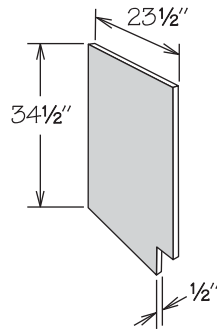


DWR3

| |
|-----|
| APC |
| FE |
| PE |

- Reversible for left or right installation
- Solid wood front
- Features 1/2" engineered wood with outside to match cabinet exterior and inside with a natural woodgrain look
- Attaching blocks included
- Field trimmable to 1" in width
- Can be notched for toe kick in the field

Sink / Vanity Front Return

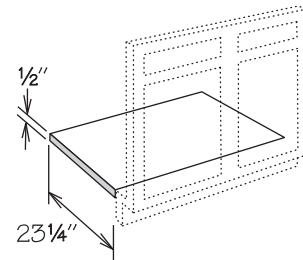


SFRR
SFRL

| |
|-----|
| APC |
| FE |
| PE |

- Features 1/2" engineered wood with outside to match cabinet exterior and inside with a natural woodgrain look
- SKU signifies left or right return
- Attaching blocks included
- When ordered with Furniture Ends Option (FE) return will feature a rabbeted front edge
- Field trimmable

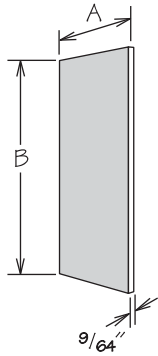
Sink / Vanity Front Floor



| | |
|---------|---------|
| FL24 | FL48X48 |
| FL36 | FL60 |
| FL36X36 | FL72 |
| FL48 | |

- Features 1/2" engineered wood with one side finished with a natural woodgrain look
- 1/2" oversize in width
- FL36X36 to be used for CSF36 (trim to fit)
- FL48X48 to be used for CSF42 (trim to fit)
- Field trimmable

End Panel

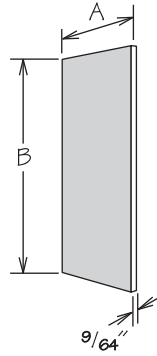


| | A | B |
|---------|------|------|
| WEP30 | 11¼" | 30¾" |
| WEP42 | 11¼" | 42½" |
| WEP48 | 11¼" | 48" |
| WEP1542 | 14¼" | 42½" |
| BEP34 | 23¼" | 34½" |
| TEP84 | 23¼" | 84" |
| TEP96 | 23¼" | 96" |
| TEP120 | 23¼" | 120" |

WEP30
WEP42
WEP48
WEP1542
BEP34
TEP84
TEP96
TEP120

- Features plywood or engineered wood finished on one side to match cabinet box exterior
- Field trimmable, can be notched for toe kick

**End Panel
Duraform Textured**

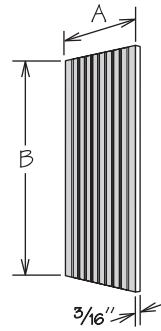


| | A | B |
|------------|------|------|
| WEP30 DT | 11¼" | 30¾" |
| WEP42 DT | 11¼" | 42½" |
| WEP48 DT | 11¼" | 48" |
| WEP1542 DT | 14¼" | 42½" |
| BEP34 DT | 23¼" | 34½" |
| TEP84 DT | 23¼" | 84" |
| TEP96 DT | 23¼" | 96" |
| TEP120 DT | 23¼" | 120" |

WEP30 DT
WEP42 DT
WEP48 DT
WEP1542 DT
BEP34 DT
TEP84 DT
TEP96 DT
TEP120 DT

- Available for Breeze and Drift finishes only
- Features textured PVC-wrapped engineered wood finished on one side to match cabinet door
- Field trimmable, can be notched for toe kick

Grooved End Panel

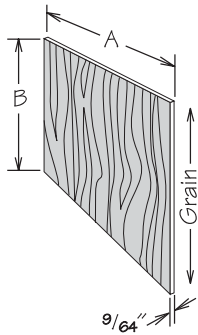


| | A | B |
|-----------------|------|------|
| WEP30 GROOVED | 11¼" | 30¾" |
| WEP42 GROOVED | 11¼" | 42½" |
| WEP48 GROOVED | 11¼" | 48" |
| WEP1542 GROOVED | 14¼" | 42½" |
| BEP34 GROOVED | 23¼" | 34½" |
| TEP84 GROOVED | 23¼" | 84" |
| TEP96 GROOVED | 23¼" | 96" |

WEP30 GROOVED
WEP42 GROOVED
WEP48 GROOVED
WEP1542 GROOVED
BEP34 GROOVED
TEP84 GROOVED
TEP96 GROOVED

- Grooved every 1½" on one side
- Features ¾" plywood finished to match cabinet box exterior on one side
- Grooves are beaded to complement the Shorebrook door style
- Field trimmable, can be notched for toe kick

Finished Paneling

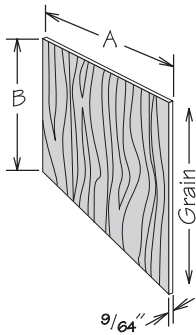


| | A | B |
|--------|-----|------|
| FP4834 | 48" | 34½" |
| FP4896 | 48" | 96" |
| FP9634 | 96" | 34½" |
| FP9648 | 96" | 48" |

FP4834
FP4896
FP9634
FP9648

- Features plywood or engineered wood finished on one side to match cabinet box exterior
- Field trimmable, can be notched for toe kick

**Finished Paneling
Duraform Textured**

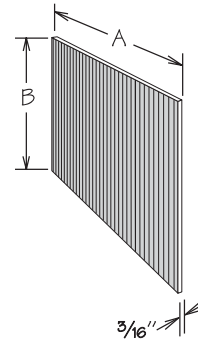


| | A | B |
|-----------|-----|------|
| FP4834 DT | 48" | 34½" |
| FP4896 DT | 48" | 96" |
| FP9634 DT | 96" | 34½" |

FP4834 DT
FP4896 DT
FP9634 DT

- Available for Breeze and Drift finishes only
- Features textured PVC-wrapped engineered wood finished on one side to match cabinet door
- FP9634 DT is shipped as two 48" wide x 34½" high panels
- Field trimmable, can be notched for toe kick

Grooved Finished Paneling

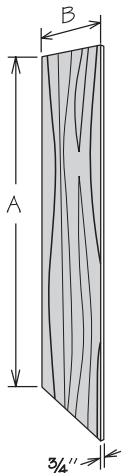


| | A | B |
|----------------|-----|------|
| FP4834 GROOVED | 48" | 34½" |
| FP4896 GROOVED | 48" | 96" |
| FP9634 GROOVED | 96" | 34½" |

FP4834 GROOVED
FP4896 GROOVED
FP9634 GROOVED

- Grooved every 1½" on one side
- Features ¾" plywood finished to match cabinet box exterior on one side
- FP9634 GROOVED is shipped as two 48" wide x 34½" high panels
- Grooves are beaded to complement the Shorebrook door style
- Field trimmable, can be notched for toe kick

**Wood End Panel
Duraform Textured**

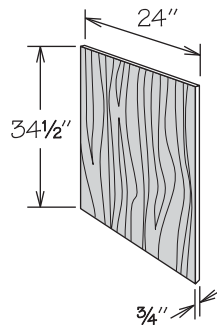


| | A | B |
|-------------|------|-----|
| WWEP1330 DT | 30⅞" | 13" |
| WWEP1336 DT | 36⅞" | 13" |
| WWEP1339 DT | 39⅞" | 13" |
| WWEP1342 DT | 42⅞" | 13" |
| WBEP2534 DT | 34½" | 25" |
| DWTEP84 DT | 84" | 32" |
| DWTEP96 DT | 96" | 32" |
| DWTEP120 DT | 120" | 32" |

WWEP1330 DT
WWEP1336 DT
WWEP1339 DT
WWEP1342 DT
WBEP2534 DT
DWTEP84 DT
DWTEP96 DT
DWTEP120 DT

- Available for Breeze and Drift finishes only
- Features textured PVC-wrapped engineered wood finished on both sides to match cabinet door
- WBEP_DT and DWTEP_DT are edge banded on both long sides
- WWEP_DT is edge banded on all four sides
- Field trimmable, can be notched for toe kick

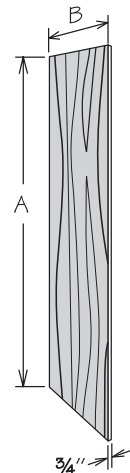
Wood Base End Panel



WBEP

- Engineered wood finished to match cabinet box exterior on both sides
- Edge banded on both long edges
- Field trimmable, can be notched for toe kick

Wood Tall End Panel

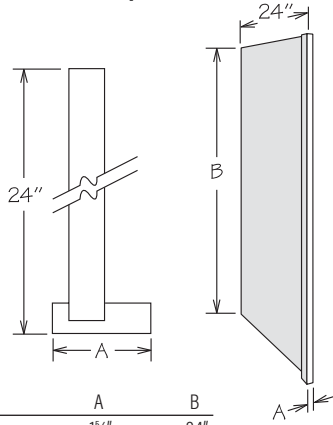


| | A | B |
|---------|------|-----|
| WTEP84 | 84" | 24" |
| WTEP96 | 96" | 24" |
| WTEP120 | 120" | 24" |
| DWTEP84 | 84" | 32" |
| DWTEP96 | 96" | 32" |

WTEP84
WTEP96
WTEP120
DWTEP84
DWTEP96

- Engineered wood finished to match cabinet box exterior on both sides
- Edge banded on both long edges
- Field trimmable, can be notched for toe kick

Refrigerator Return
24" Deep, 1/2" Panel

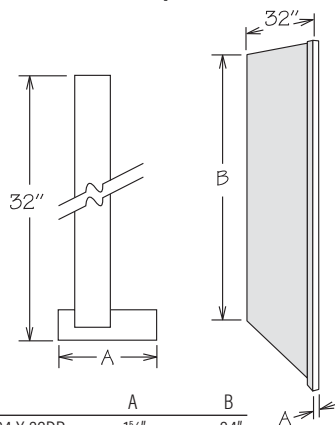


| | A | B |
|-------|--------|-----|
| RR84 | 1 1/8" | 84" |
| RR384 | 3" | 84" |
| RR96 | 1 1/8" | 96" |
| RR396 | 3" | 96" |

| | | |
|------|-------|-----|
| RR84 | RR384 | APC |
| RR96 | RR396 | FE |
| | | MI |
| | | PE |

- Reversible for left or right installation
- Solid wood front
- Features 1/2" engineered wood with outside finished to match cabinet exterior and inside with a natural woodgrain look
- Field trimmable, can be notched for toe kick

Refrigerator Return
32" Deep, 1/2" Panel

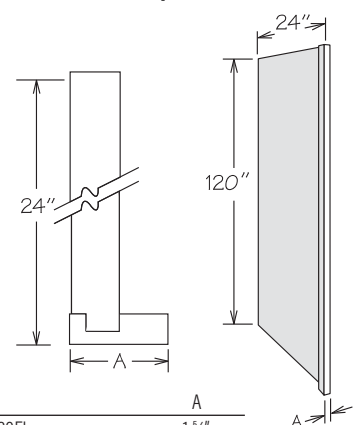


| | A | B |
|--------------|--------|-----|
| RR84 X 32DP | 1 1/8" | 84" |
| RR384 X 32DP | 3" | 84" |
| RR96 X 32DP | 1 1/8" | 96" |
| RR396 X 32DP | 3" | 96" |

| | | |
|-------------|--------------|----|
| RR84 X 32DP | RR384 X 32DP | FE |
| RR96 X 32DP | RR396 X 32DP | MI |
| | | RD |

- Reversible for left or right installation
- Solid wood front
- Features 1/2" plywood finished on outside to match cabinet exterior and natural woodgrain look on inside
- Field trimmable, can be notched for toe kick

Refrigerator Return
24" Deep, 3/4" Panel

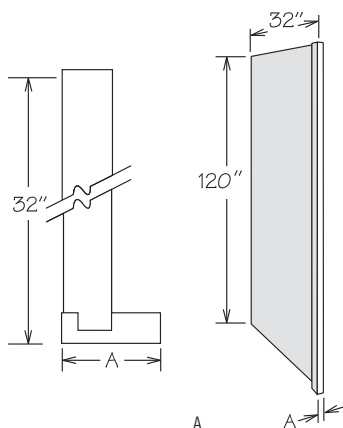


| | A |
|----------|--------|
| RR120FL | 1 1/8" |
| RR3120FL | 3" |

| | |
|----------|-----|
| RR120FL | APC |
| RR3120FL | |

- Reversible for left or right installation
- Solid wood front
- Features 3/4" engineered wood with both sides finished to match cabinet exterior
- Field trimmable, can be notched for toe kick

Refrigerator Return
32" Deep, 3/4" Panel

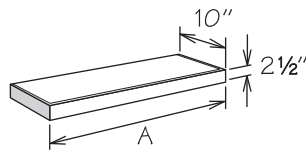


| | A |
|-----------------|--------|
| RR120FL X 32DP | 1 1/8" |
| RR3120FL X 32DP | 3" |

| | |
|-----------------|----|
| RR120FL X 32DP | RD |
| RR3120FL X 32DP | |

- Reversible for left or right installation
- Solid wood front
- Features 3/4" plywood finished to match cabinet box exterior on both sides
- Field trimmable, can be notched for toe kick

Floating Shelf

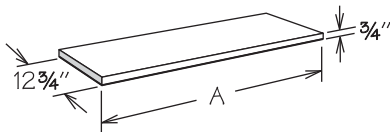


| | A | Max. Load |
|----------|-----|-----------|
| FLSH2410 | 24" | 30 lbs. |
| FLSH3010 | 30" | 37 lbs. |
| FLSH3610 | 36" | 45 lbs. |
| FLSH4210 | 42" | 52 lbs. |
| FLSH4810 | 48" | 60 lbs. |

| |
|----------|
| FLSH2410 |
| FLSH3010 |
| FLSH3610 |
| FLSH4210 |
| FLSH4810 |

- Not trimmable
- Finished on all sides to match cabinet box exterior
- Features veneered engineered wood top and bottom and solid wood front and sides
- When installed between two cabinets, Furniture Ends (FE) is recommended for adjacent cabinets
- Must be secured to studs in wall
- Installation instructions, mounting brackets and screws included

Finished Shelf

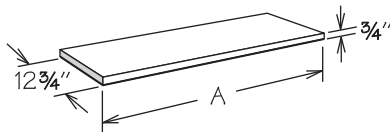


| | A |
|--------|---------|
| FS4812 | 48 1/4" |
| FS6012 | 60 1/4" |
| FS7212 | 72 1/4" |

FS4812
FS6012
FS7212

- Field trimmable
- Veneered engineered wood, edge banded all sides
- Finished to match cabinet box exterior

**Finished Shelf
Duraform Textured**

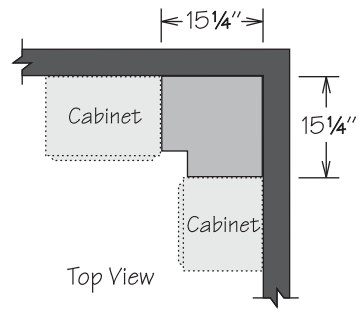
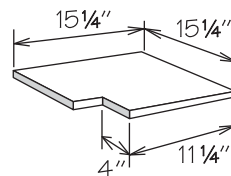


| | A |
|-----------|---------|
| FS4812 DT | 48 1/4" |
| FS6012 DT | 60 1/4" |
| FS7212 DT | 72 1/4" |

FS4812 DT
FS6012 DT
FS7212 DT

- Available for Breeze and Drift finishes only
- Field trimmable
- Features textured PVC-wrapped engineered wood finished on both sides to match cabinet door
- Edge banded on all sides

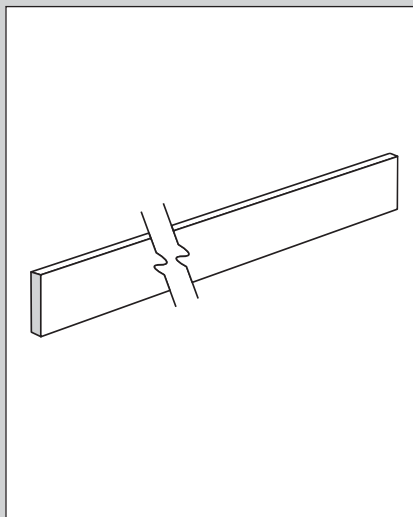
Blind Corner Closure



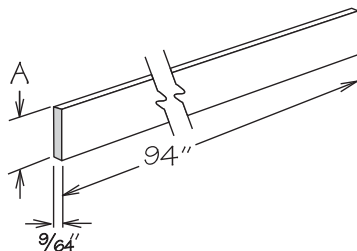
BLC1515

- Features 1/2" engineered wood with both sides finished with a natural woodgrain look
- Field trimmable

Toe Kicks



Base Toe Kick

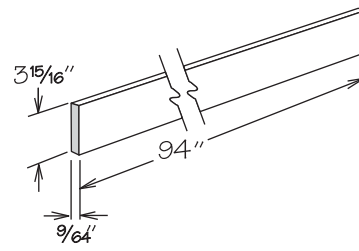


| | A |
|---------|----------|
| BTK8 | 3 15/16" |
| BTK8 UD | 8" |

BTK8
BTK8 UD

- Features plywood or engineered wood finished on one side to match cabinet box exterior
- Putty Stick and TU Marker are recommended for exposed ends

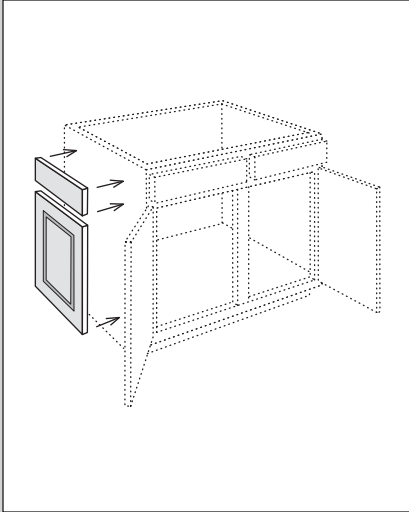
**Base Toe Kick
Duraform Textured**



BTK8 DT

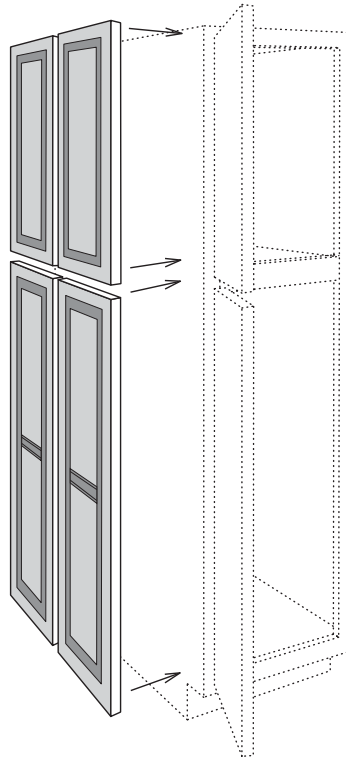
- Available for Breeze and Drift finishes only
- Features textured PVC-wrapped engineered wood finished on one side to match cabinet door
- Putty Stick and TU Marker are recommended for exposed ends

Decorator Matching Doors



Decorator Matching Doors are not sized for Reduced Depth (RD) or Increased Depth (ID) cabinets.

**Decorator Matching Doors
Tall Cabinets**

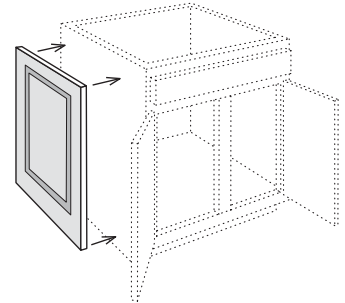


DMDT8412
DMDT8424
DMDT9012
DMDT9024
DMDT9312
DMDT9324
DMDT9612
DMDT9624

- Furniture Ends Option (FE) or TEP84/TEP96 panel is required for installation
- Attaches to side of Utility or Oven cabinet
- Matches style and finish of cabinet doors
- 24" deep features four doors (as shown)
- 12" deep features two doors
- Bottom doors have a center rail for select door styles - refer to door style section
- Refer to the Parts Directory section of this guide for dimensions

**Decorator Matching Doors
Base Cabinets**

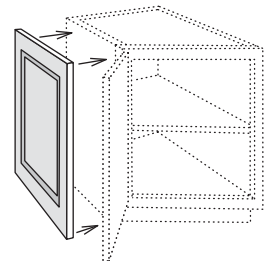
NEW! **UPDATE**



DMDB

- **UPDATE:** Full Overlay door styles use DR24FH
- Furniture Ends Option (FE) or BEP34 panel is required for installation
- Attaches to side of Base cabinet
- Matches style and finish of cabinet doors
- Refer to the Parts Directory section of this guide for dimensions

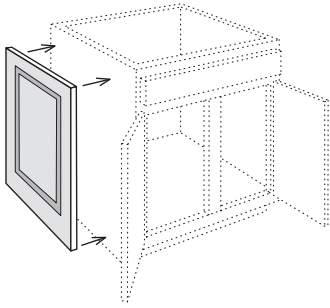
**Decorator Matching Doors
BEA12FH Base Cabinets**



DMDBEA12

- Furniture Ends Option (FE) or WEP42 panel is required for installation
- Attaches to side of BEA12FH or BSPLY2434
- Matches style and finish of cabinet doors
- Refer to the Parts Directory section of this guide for dimensions

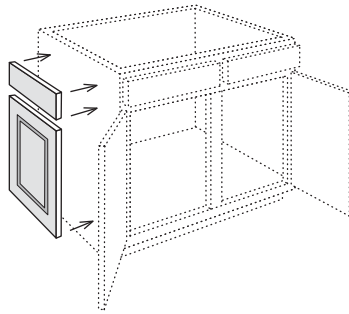
Decorator Matching Doors
Desk Cabinets



DMDD21
DMDD24

- Furniture Ends Option (FE) or BEP34 panel is required for installation
- Attaches to side of 21" or 24" deep Desk cabinet
- Matches style and finish of cabinet doors
- Refer to the Parts Directory section of this guide for dimensions

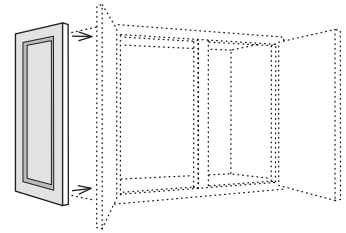
Decorator Matching Doors
Vanity Cabinets



DMDV

- Furniture Ends Option (FE) or BEP34 panel is required for installation
- Attaches to side of 20 3/4" deep x 31 1/2" high Vanity cabinet
- For 18" deep x 31 1/2" high vanity cabinets order DR1821 ND and DDF18
- For base-height vanity cabinets order DR21FH ND door for 20 3/4" deep or DR18FH ND door for 18" deep cabinets
- Matches style and finish of cabinet doors
- Refer to the Parts Directory section of this guide for dimensions

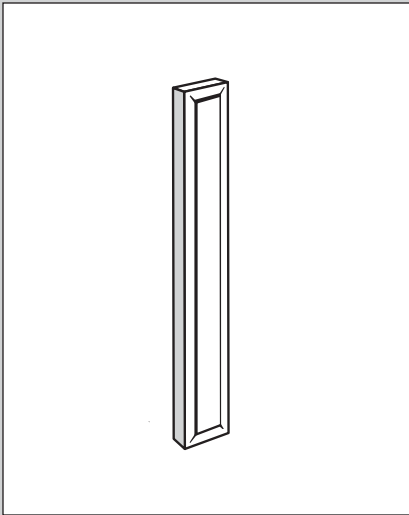
Decorator Matching Doors
Wall Cabinets



DMDW18
DMDW24
DMDW30
DMDW36
DMDW39
DMDW42

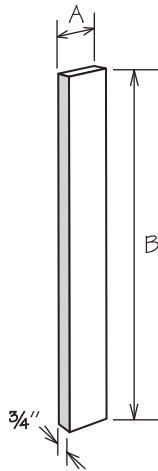
- Furniture Ends Option (FE) or WEP30/WEP42 panel is required for installation
- Attaches to side of wall cabinet
- Matches style and finish of cabinet doors
- Refer to the Parts Directory section of this guide for dimensions

Fillers



To facilitate proper door operation, include at least a 1" filler between the hinged side of Full Overlay door styles and deeper adjacent objects including cabinets, walls, appliances and countertops.

Universal Filler

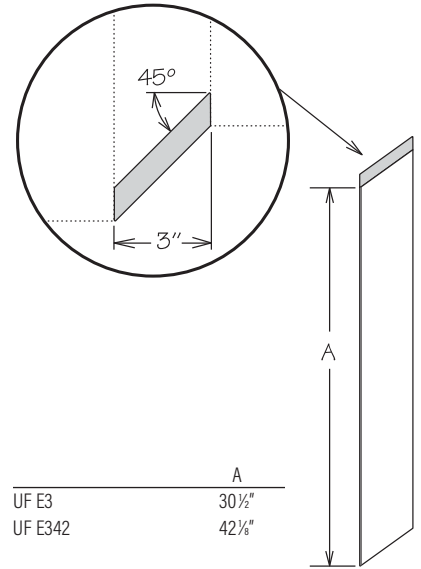


| | A | B |
|--------|----|---------|
| UF3 | 3" | 30 1/2" |
| UF6 | 6" | 30 1/2" |
| UF342 | 3" | 42 1/8" |
| UF642 | 6" | 42 1/8" |
| UF380 | 3" | 80" |
| UF680 | 6" | 80" |
| UF392 | 3" | 92" |
| UF692 | 6" | 92" |
| UF3120 | 3" | 120" |
| S3S396 | 3" | 96" |
| S3S696 | 6" | 96" |
| S4S396 | 3" | 96" |
| S4S696 | 6" | 96" |

| | |
|--------|--------|
| UF3 | UF6 |
| UF342 | UF642 |
| UF380 | UF680 |
| UF392 | UF692 |
| UF3120 | S3S696 |
| S3S396 | S4S696 |
| S4S396 | |

- 3/4" solid wood
- UF__ are finished on front, both long edges and one short end to match cabinet exterior
- S3S__ are finished on front and all four edges to match cabinet exterior
- S4S__ is finished on front, back and all four edges to match cabinet box exterior
- Field trimmable

Universal Filler Extension

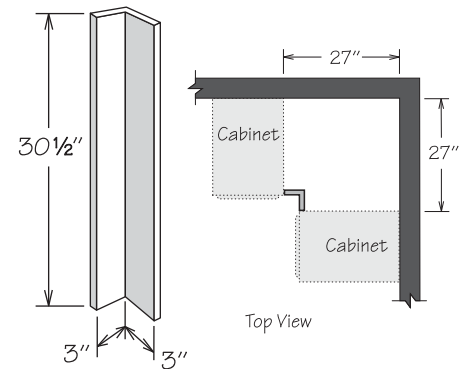


| | A |
|---------|---------|
| UF E3 | 30 1/2" |
| UF E342 | 42 1/8" |

UF E3
UF E342

- For wall or base application
- 3/4" solid wood
- Finished on front, both long edges and one short end to match cabinet exterior
- Field trimmable

Base Corner Filler

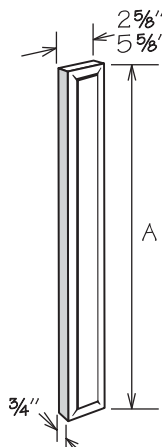


BCF27

- 3/4" solid wood
- Finished on front and all four edges to match cabinet box exterior
- Field trimmable

Overlay Filler

NEW! **SIZE**



| | A |
|--------|----------|
| BOF3 | 29 7/8" |
| BOF6 | 29 7/8" |
| DOF3 | 23 3/8" |
| TOF384 | 79 3/8" |
| TOF390 | 85 3/8" |
| TOF393 | 88 3/8" |
| TOF396 | 91 3/8" |
| VOF3 | 26 1/2" |
| WOF312 | 11 1/16" |
| WOF315 | 14 3/16" |
| WOF318 | 17 1/16" |
| WOF321 | 20" |
| WOF324 | 23 3/8" |
| WOF327 | 26 1/2" |
| WOF330 | 29 1/2" |
| WOF336 | 35 1/2" |
| WOF339 | 38 1/2" |
| WOF342 | 41 1/2" |

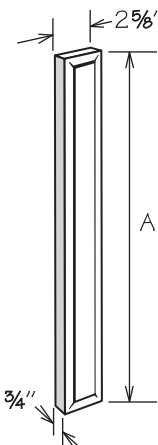
| | |
|-------------|--------|
| BOF3 | WOF312 |
| BOF6 | WOF315 |
| DOF3 | WOF318 |
| | WOF321 |
| TOF384 | WOF324 |
| TOF390 | WOF327 |
| TOF393 | WOF330 |
| TOF396 | WOF336 |
| | WOF339 |
| VOF3 | WOF342 |

- For Full Overlay door styles only
- Outside profile matches door
- Wood, Painted and Duraform (Breeze and Drift) door styles feature solid wood finished to match cabinet box exterior
- Duraform (Espresso, Harbor, Linen, Stone) door styles feature Duraform wrapped MDF
- All edges are finished
- Not field trimmable
- Must be mounted to a Universal Filler – order separately

Overlay Filler

Duraform Textured

NEW! **SIZE**



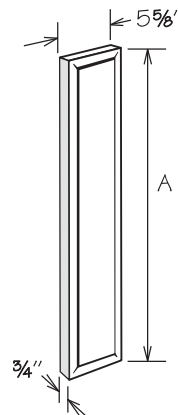
| | A |
|-----------|----------|
| BOF3 DT | 29 7/8" |
| BOF6 DT | 29 7/8" |
| DOF3 DT | 23 3/8" |
| TOF384 DT | 79 3/8" |
| TOF390 DT | 85 3/8" |
| TOF393 DT | 88 3/8" |
| TOF396 DT | 91 3/8" |
| VOF3 DT | 26 1/2" |
| WOF312 DT | 11 1/16" |
| WOF315 DT | 14 3/16" |
| WOF318 DT | 17 1/16" |
| WOF321 DT | 20" |
| WOF324 DT | 23 3/8" |
| WOF327 DT | 26 1/2" |
| WOF330 DT | 29 1/2" |
| WOF336 DT | 35 1/2" |
| WOF339 DT | 38 1/2" |
| WOF342 DT | 41 1/2" |

| | |
|----------------|-----------|
| BOF3 DT | WOF312 DT |
| BOF6 DT | WOF315 DT |
| DOF3 DT | WOF318 DT |
| | WOF321 DT |
| TOF384 DT | WOF324 DT |
| TOF390 DT | WOF327 DT |
| TOF393 DT | WOF330 DT |
| TOF396 DT | WOF336 DT |
| | WOF339 DT |
| VOF3 DT | WOF342 DT |

- Available for Breeze and Drift finishes only
- Outside profile matches door
- Features textured PVC-wrapped engineered wood finished to match cabinet door
- All edges are finished
- Not field trimmable
- Must be mounted to a Universal Filler – order separately

Overlay Filler

Duraform



| | A |
|--------|---------|
| WOF630 | 29 1/2" |
| WOF636 | 35 1/2" |
| WOF639 | 38 1/2" |
| WOF642 | 41 1/2" |

WOF630
WOF636
WOF639
WOF642

- For Full Overlay Duraform (Espresso, Harbor, Linen, Stone) door styles only
- Outside profile matches door
- All edges are finished to match cabinet box exterior
- Features Duraform wrapped MDF
- Not field trimmable
- Must be mounted to a Universal Filler – order separately

Overlay Filler Profiles

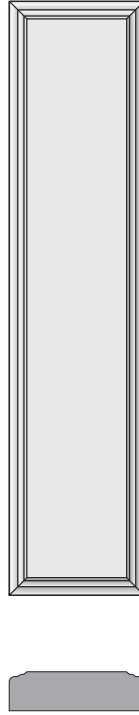
Profile for:

- MacArthur
- Savannah



Profile for:

- Brookland
- Brookland w/ DFO



Profile for:

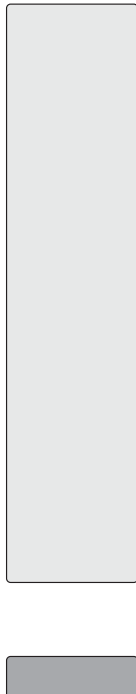
- Portola*
- Portola w/ DFO



*Excluding Portola Duraform

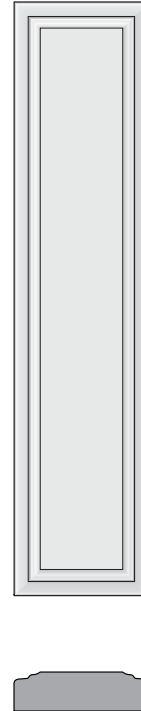
Profile for:

- Adelaide
- Adelaide w/ DFO
- Garner
- Garner w/ DFO
- Hanover
- Leesburg
- Leesburg w/ DFO
- Reading
- Reading w/ DFO
- Shorebrook
- Westerly

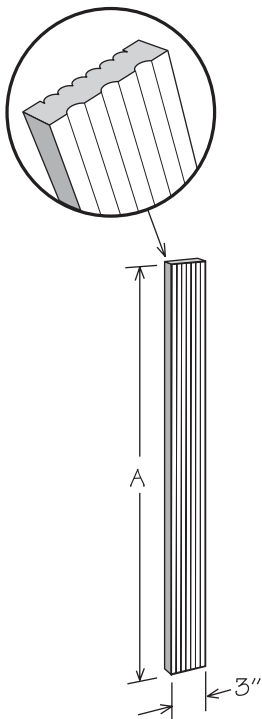


Profile for:

- Portola Duraform



Fluted Beaded Filler
Reversible - 3" Wide

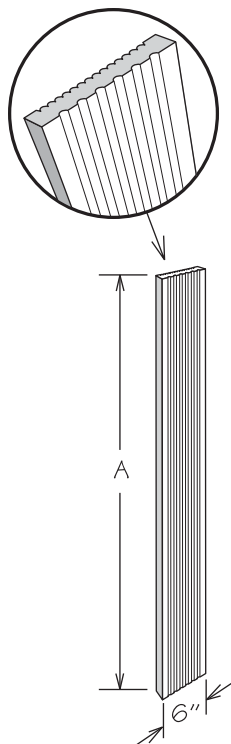


| | A |
|--------|------|
| FBF3 | 30½" |
| FBF342 | 42½" |
| FBF384 | 84" |
| FBF396 | 96" |

FBF3
FBF342
FBF384
FBF396

- Filler is fluted on one side and beaded on reverse side
- Finished on all sides to match cabinet box exterior
- Field trimmable
- ¾" solid wood
- Apply 3" wide decorative blocks for accent
- Designer note: Ensure correct side is exposed when installed

Fluted Beaded Filler
Reversible - 6" Wide

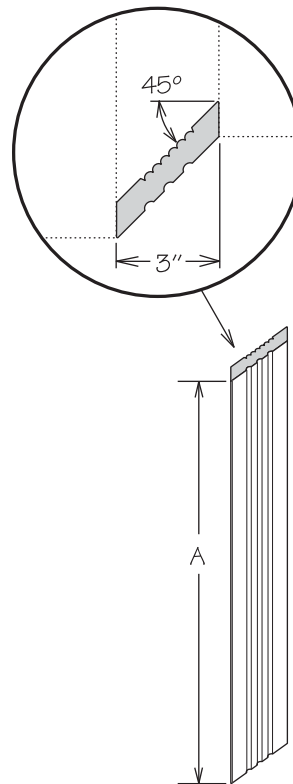


| | A |
|--------|------|
| FBF6 | 30½" |
| FBF642 | 42½" |
| FBF684 | 84" |
| FBF696 | 96" |

FBF6
FBF642
FBF684
FBF696

- Filler is fluted on one side and beaded on reverse side
- Finished on all sides to match cabinet box exterior
- Field trimmable
- ¾" solid wood
- Apply 6" wide decorative blocks for accent
- Designer note: Ensure correct side is exposed when installed

Fluted Beaded Filler Extension
Reversible

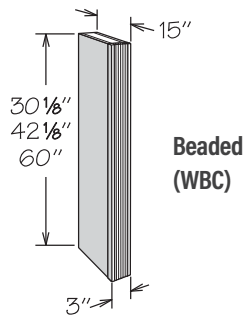


| | A |
|----------|------|
| FBF E3 | 30½" |
| FBF E342 | 42½" |

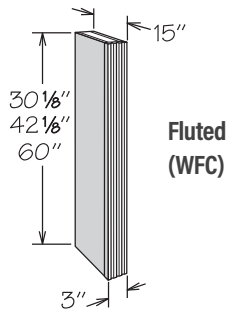
FBF E3
FBF E342

- For wall or base application
- Filler is fluted on one side and beaded on reverse side
- Finished on all sides to match cabinet box exterior
- Field trimmable
- ¾" solid wood
- Apply 3" wide decorative blocks for accent
- Designer note: Ensure correct side is exposed when installed

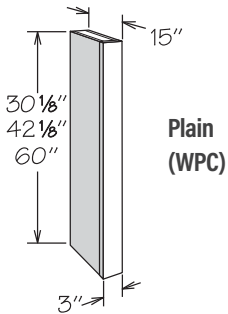
Wall Column Filler



Beaded (WBC)

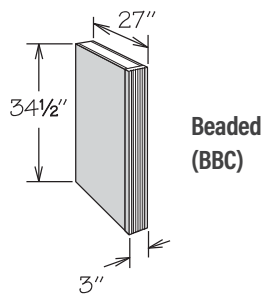


Fluted (WFC)

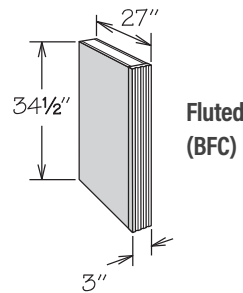


Plain (WPC)

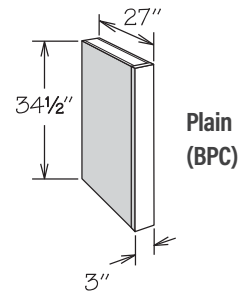
Base Column Filler



Beaded (BBC)

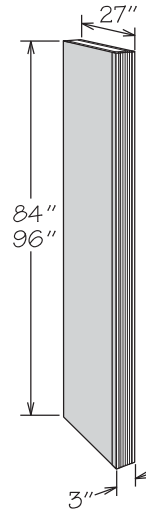


Fluted (BFC)

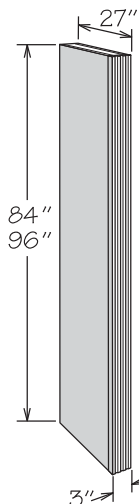


Plain (BPC)

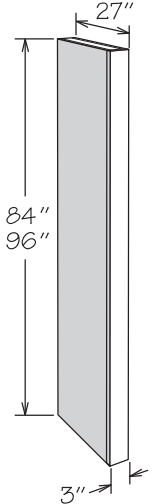
Tall Column Filler



Beaded (TBC)



Fluted (TFC)



Plain (TPC)

WBC31530
WBC31542
WBC31560
WFC31530
WFC31542
WFC31560
WPC31530
WPC31542
WPC31560

- 3" wide x 3/4" thick solid wood front
- Finished veneered engineered wood sides are flush with face
- Reversible for left or right installation
- Top and bottom edges of returns are edge banded to match cabinet box exterior
- Field trimmable to any depth
- Field trimmable in height as noted below:
 - W_C31530 field trimmable to 27", 24", 20", 18", 15" or 12"
 - W_C31542 field trimmable to 36" or 39"
 - W_C31560 field trimmable to 48" or 54"

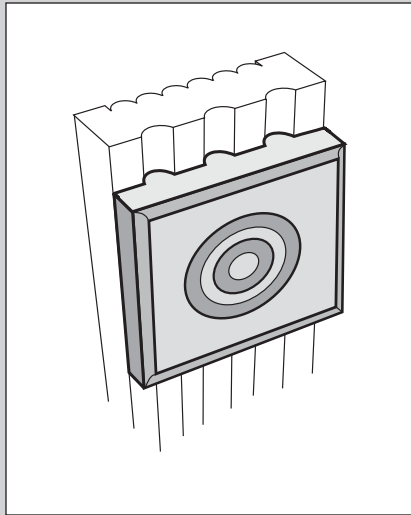
BBC32734
BFC32734
BPC32734

- 3" wide x 3/4" thick solid wood front
- Finished veneered engineered wood sides are flush with face
- Reversible for left or right installation
- Top and bottom edges of returns are edge banded to match cabinet box exterior
- Field trimmable to any depth
- Field trimmable in height as noted below:
 - B_C32734 field trimmable to 31" or 28"

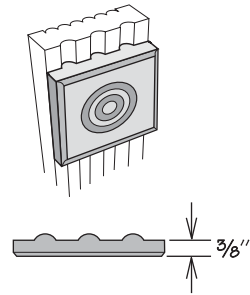
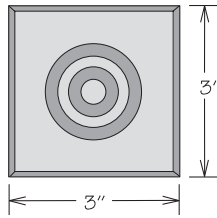
TBC32784
TBC32796
TFC32784
TFC32796
TPC32784
TPC32796

- 3" wide x 3/4" thick solid wood front
- Finished veneered engineered wood sides are flush with face
- Reversible for left or right installation
- Top and bottom edges of returns are edge banded to match cabinet box exterior
- Field trimmable to any depth
- Field trimmable in height as noted below:
 - T_C32796 field trimmable to 90" or 93"
 - T_C32784 is not field trimmable in height

Decorative Blocks



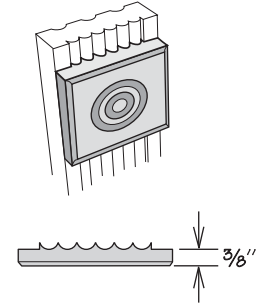
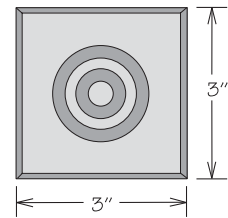
Rosette Block - 3" Fluted



FB3X3 ROSETTE

- Apply to FLUTED side of 3" reversible filler, reversible filler extension or fluted column filler
- Solid wood finished to match cabinet box exterior

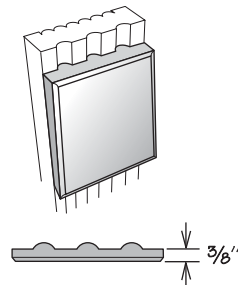
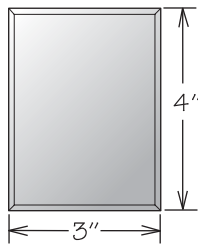
Rosette Block - 3" Beaded



BB3X3 ROSETTE

- Apply to BEADED side of 3" reversible filler, reversible filler extension or beaded column filler
- Solid wood finished to match cabinet box exterior

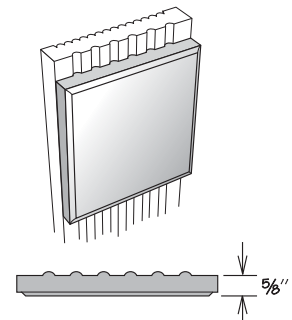
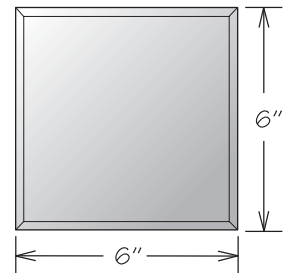
Plinth Block - 3" Fluted



FB3X4 PLINTH

- Apply to FLUTED side of 3" reversible filler, reversible filler extension or fluted column filler
- Solid wood finished to match cabinet box exterior

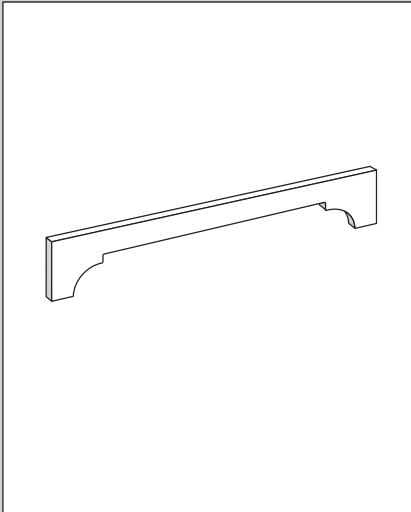
Plinth Block - 6" Fluted



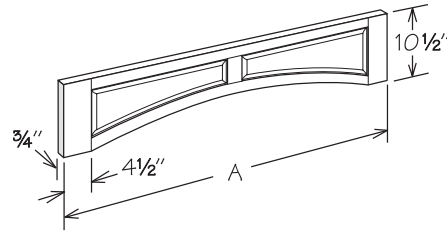
FB6X6 PLINTH

- Apply to FLUTED side of 6" reversible filler
- Solid wood finished to match cabinet box exterior

Valances



Raised Panel Arched Valance

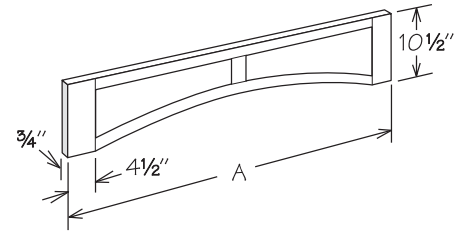


| | A | Maximum Trim (3" Each End) | Number of Panels |
|--------|-----|-------------------------------|---------------------|
| V36 RP | 36" | 30" | 2 |
| V42 RP | 42" | 36" | 2 |
| V48 RP | 48" | 42" | 2 |
| V54 RP | 54" | 48" | 3 |
| V60 RP | 60" | 54" | 3 |
| V66 RP | 66" | 60" | 3 |
| V72 RP | 72" | 66" | 3 |

| | |
|--------|--------|
| V36 RP | V60 RP |
| V42 RP | V66 RP |
| V48 RP | V72 RP |
| V54 RP | |

- Field trimmable
- Solid wood finished to match cabinet box exterior
- Dimension from height of arch to top of valance is 8 1/2"

Flat Panel Arched Valance

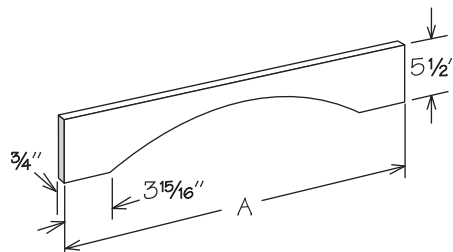


| | A | Maximum Trim (3" Each End) | Number of Panels |
|--------|-----|-------------------------------|---------------------|
| V36 FP | 36" | 30" | 2 |
| V42 FP | 42" | 36" | 2 |
| V48 FP | 48" | 42" | 2 |
| V54 FP | 54" | 48" | 3 |
| V60 FP | 60" | 54" | 3 |
| V66 FP | 66" | 60" | 3 |
| V72 FP | 72" | 66" | 3 |

| | |
|--------|--------|
| V36 FP | V60 FP |
| V42 FP | V66 FP |
| V48 FP | V72 FP |
| V54 FP | |

- Field trimmable
- Solid wood finished to match cabinet box exterior
- Dimension from height of arch to top of valance is 8 1/2"

Shaker Valance

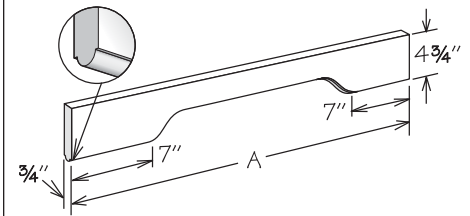


| | A | Maximum Trim (3 3/8" each end) |
|--------|---------|-----------------------------------|
| V30 SH | 30 1/4" | 24" |
| V36 SH | 36 1/4" | 30" |
| V42 SH | 42 1/4" | 36" |
| V48 SH | 48 1/4" | 42" |
| V60 SH | 60 1/4" | 54" |
| V72 SH | 72 1/4" | 66" |

| | |
|--------|--------|
| V30 SH | V48 SH |
| V36 SH | V60 SH |
| V42 SH | V72 SH |

- Field trimmable
- Solid wood finished to match cabinet box exterior
- Dimension from height of arch to top of valance is 2 1/4"

Arched Valance

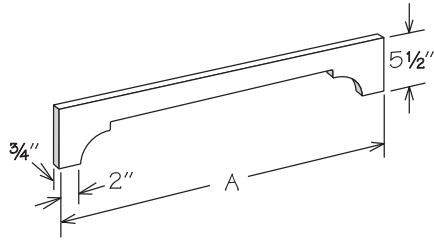


| | A | Maximum Trim (6 3/8" each end) |
|--------|---------|-----------------------------------|
| V36 AR | 36 1/4" | 24" |
| V48 AR | 48 1/4" | 36" |
| V60 AR | 60 1/4" | 48" |
| V72 AR | 72 1/4" | 60" |

| |
|--------|
| V36 AR |
| V48 AR |
| V60 AR |
| V72 AR |

- Field trimmable
- Solid wood finished to match cabinet box exterior
- Dimension from height of arch to top of valance is 2 1/2"

Crown Valance

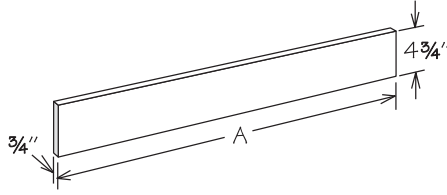


| | A | Maximum Trim (1 1/2" each end) |
|--------|---------|-----------------------------------|
| V30 CR | 30 1/4" | 27 1/4" |
| V36 CR | 36 1/4" | 33 1/4" |
| V42 CR | 42 1/4" | 39 1/4" |
| V48 CR | 48 1/4" | 45 1/4" |
| V60 CR | 60 1/4" | 57 1/4" |
| V72 CR | 72 1/4" | 69 1/4" |

| | |
|--------|--------|
| V30 CR | V48 CR |
| V36 CR | V60 CR |
| V42 CR | V72 CR |

- Field trimmable
- Solid wood finished to match cabinet box exterior
- Dimension from height of arch to top of valance is 2 1/4"

Straight Valance

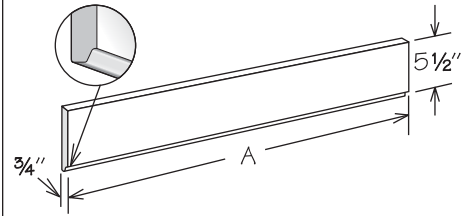


| | A |
|-------|---------|
| V48 S | 48 1/4" |
| V72 S | 72 1/4" |

| |
|-------|
| V48 S |
| V72 S |

- Field trimmable
- Solid wood finished to match cabinet box exterior

Traditional Valance

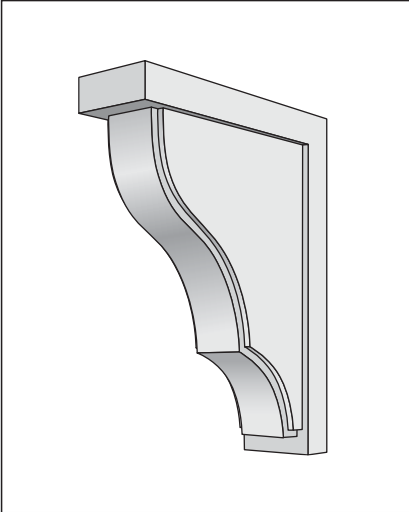


| | A |
|-------|---------|
| V36 T | 36 1/4" |
| V72 T | 72 1/4" |
| V96 T | 96 1/4" |

| |
|-------|
| V36 T |
| V72 T |
| V96 T |

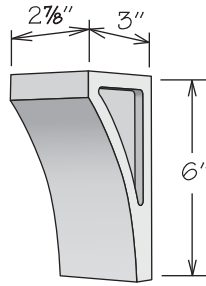
- Field trimmable
- Solid wood finished to match cabinet box exterior

Corbels



For decorative accessory designs, visit
Designer Resources
 (<http://resources.woodmarkcabinetry.com/>).

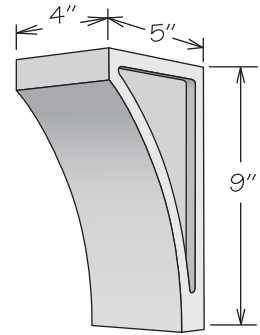
Small Cove Corbel



CC36

- Solid wood finished to match cabinet box exterior
- Recessed key hole brackets included
- For decorative use only

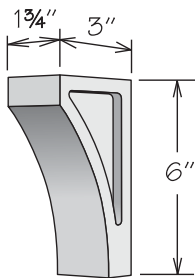
Medium Cove Corbel



CC49

- Solid wood finished to match cabinet box exterior
- Recessed key hole brackets included
- For decorative use only

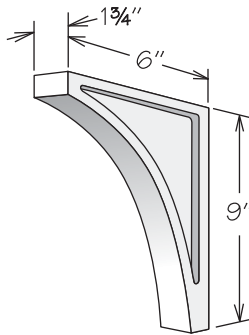
Small Narrow Cove Corbel



CC26

- Solid wood finished to match cabinet box exterior
- Recessed key hole brackets included
- For decorative use only

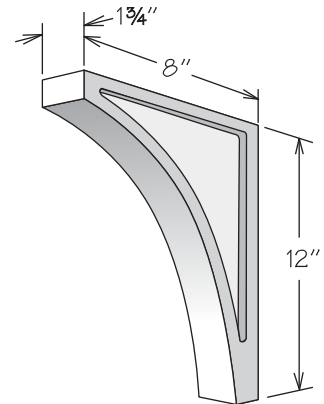
Medium Narrow Cove Corbel



CC29

- Solid wood finished to match cabinet box exterior
- Recessed key hole brackets included
- For decorative use only

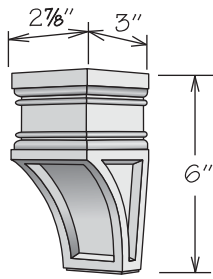
Large Narrow Cove Corbel



CC212

- Solid wood finished to match cabinet box exterior
- Recessed key hole brackets included
- For decorative use only

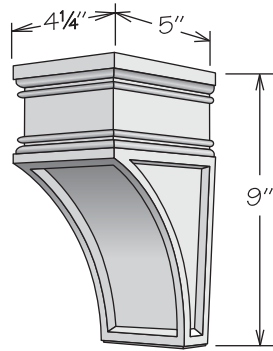
Small Valencia Corbel



VC36

- Solid wood finished to match cabinet box exterior
- Recessed key hole brackets included
- For decorative use only

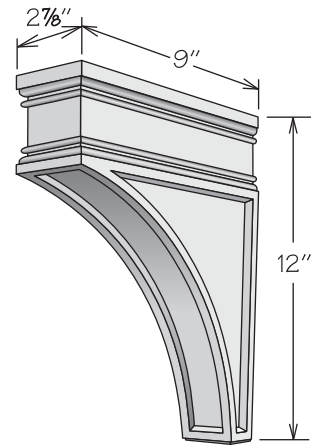
Medium Valencia Corbel



VC49

- Solid wood finished to match cabinet box exterior
- Recessed key hole brackets included
- For decorative use only

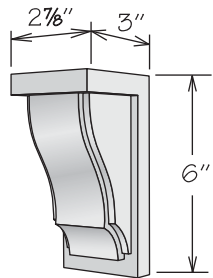
Large Valencia Corbel



VC312

- Solid wood finished to match cabinet box exterior
- Recessed key hole brackets included
- For decorative use only

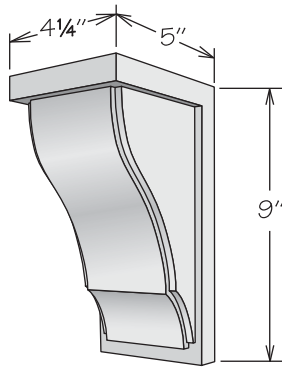
Small Finley Corbel



FC36

- Solid wood finished to match cabinet box exterior
- Recessed key hole brackets included
- For decorative use only

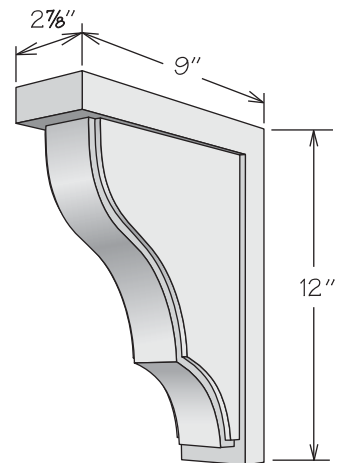
Medium Finley Corbel



FC49

- Solid wood finished to match cabinet box exterior
- Recessed key hole brackets included
- For decorative use only

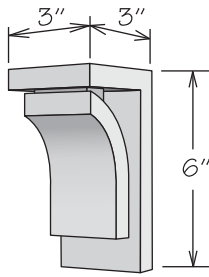
Large Finley Corbel



FC312

- Solid wood finished to match cabinet box exterior
- Recessed key hole brackets included
- For decorative use only

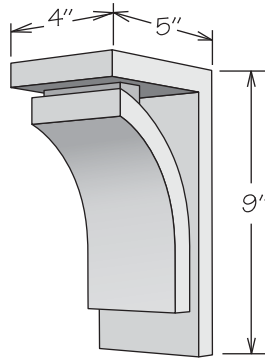
Small Prairie Corbel



PC36

- Solid wood finished to match cabinet box exterior
- Recessed key hole brackets included
- For decorative use only

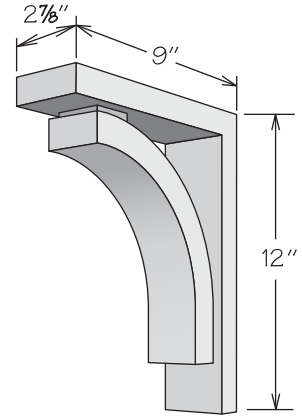
Medium Prairie Corbel



PC49

- Solid wood finished to match cabinet box exterior
- Recessed key hole brackets included
- For decorative use only

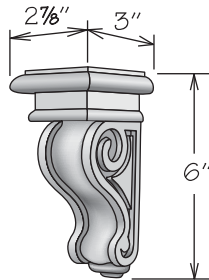
Large Prairie Corbel



PC312

- Solid wood finished to match cabinet box exterior
- Recessed key hole brackets included
- For decorative use only

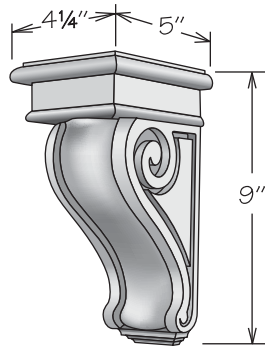
Small Rosette Corbel



RC36

- Solid wood finished to match cabinet box exterior
- Recessed key hole brackets included
- For decorative use only

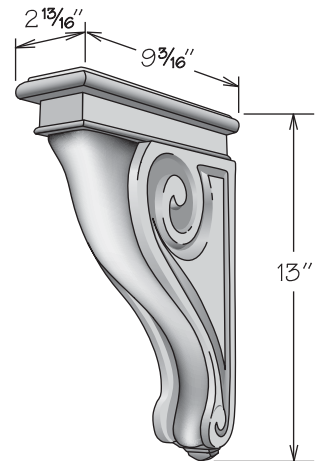
Medium Rosette Corbel



RC49

- Solid wood finished to match cabinet box exterior
- Recessed key hole brackets included
- For decorative use only

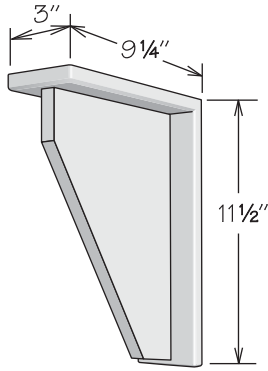
Large Rosette Corbel



RC313

- Solid wood finished to match cabinet box exterior
- Recessed key hole brackets included
- For decorative use only

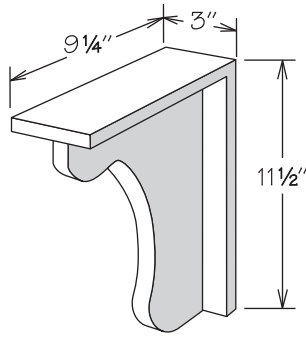
Angled Corbel



AS12

- Field installation accessory
- Decorative use only
- Features 5/8" solid wood finished to match cabinet box exterior

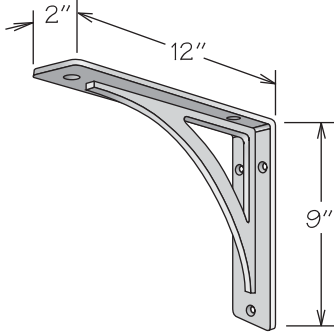
Curved Corbel



CS12

- Field installation accessory
- Decorative use only
- Features 5/8" solid wood finished to match cabinet box exterior

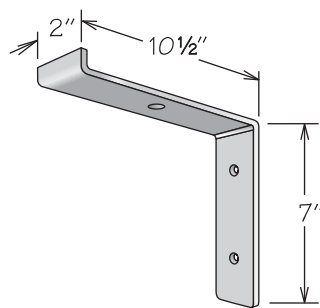
Metal Cove Corbel



METAL COVE 212 VB
 METAL COVE 212 MB
 METAL COVE 212 SN
 METAL COVE 212 PC

- Weight capacity is 100lbs when installed per included installation instructions
- Installation hardware included
- Available in four metal finishes
 - VB - Verona Bronze
 - MB - Matte Black
 - SN - Satin Nickel
 - PC - Polished Chrome
- Can be installed using either height orientation

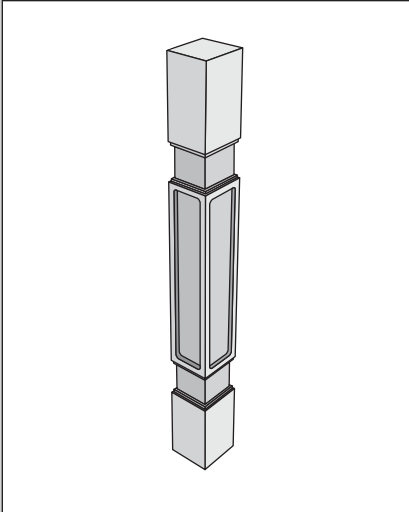
Metal Emerson Corbel



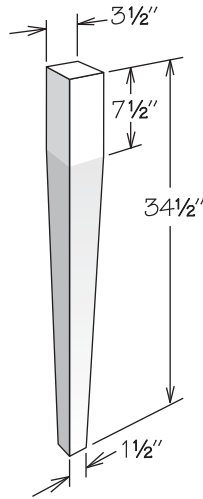
METAL EMERSON 27 VB
 METAL EMERSON 27 MB
 METAL EMERSON 27 SN
 METAL EMERSON 27 PC

- Weight capacity is 100lbs when installed per included installation instructions
- Installation hardware included
- Available in four metal finishes
 - VB - Verona Bronze
 - MB - Matte Black
 - SN - Satin Nickel
 - PC - Polished Chrome
- Can be used with floating shelf

Legs, Feet & Posts



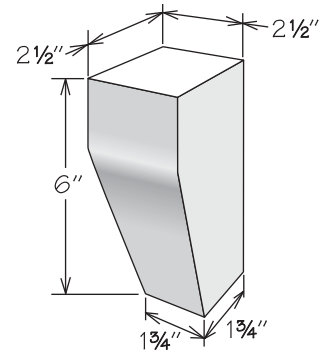
Base Tapered Leg



BTPL

- Features solid wood finished to match cabinet box exterior
- Tapered on all sides
- Field trimmable

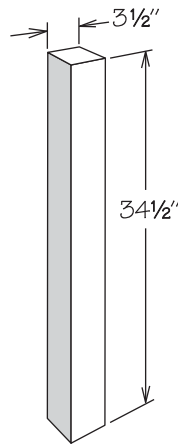
Tapered Foot



TPF

- Features solid wood finished to match cabinet box exterior
- Tapered on two sides
- Field trimmable to 4" high

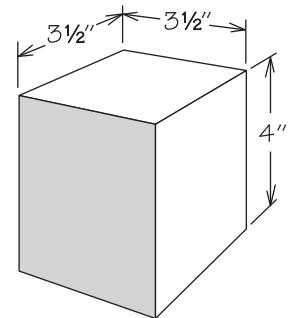
Base Square Leg



BSQL

- Features solid wood finished to match cabinet box exterior
- Field trimmable

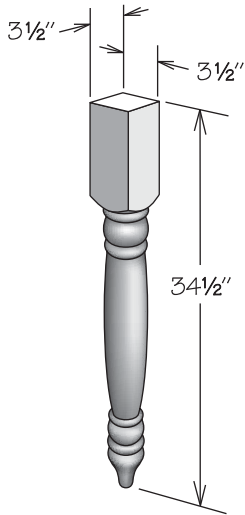
Base Square Foot



BSQF

- Features solid wood finished to match cabinet box exterior
- Designed as toe kick accent

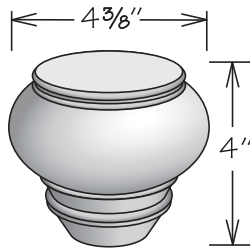
Base Turned Leg



BTL

- Features solid wood finished to match cabinet box exterior
- Field trimmable to 28 3/4" high

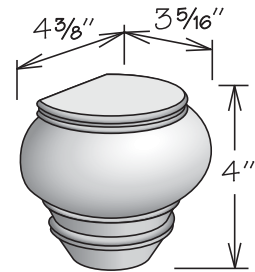
**Accent Turned Foot
Full Round**



ATF-FR

- Features solid wood finished to match cabinet box exterior
- Designed as toe kick accent

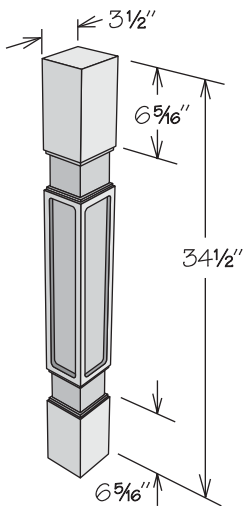
Accent Turned Foot



ATF

- Features solid wood finished to match cabinet box exterior
- Designed as toe kick accent

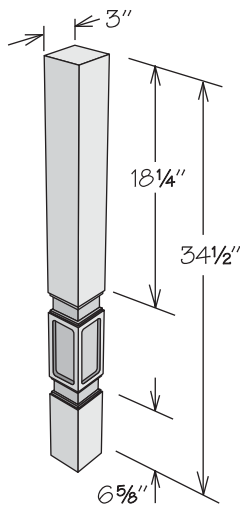
Parker Decorative Leg



PDL

- Features solid wood finished to match cabinet box exterior
- Field trimmable

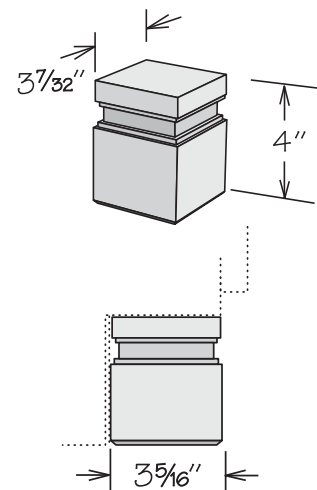
Parker Furniture Leg



PFL

- Features solid wood finished to match cabinet box exterior
- Field trimmable

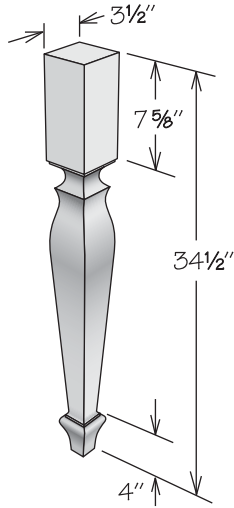
Parker Decorative Foot



PDF

- Features solid wood finished to match cabinet box exterior
- Designed as toe kick accent

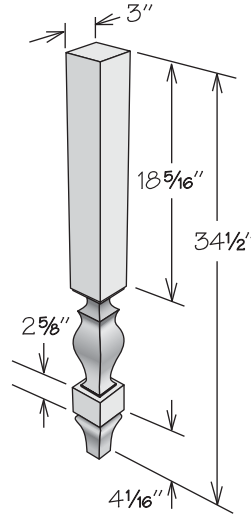
Chantilly Decorative Leg



CDL

- Features solid wood finished to match cabinet box exterior
- Field trimmable

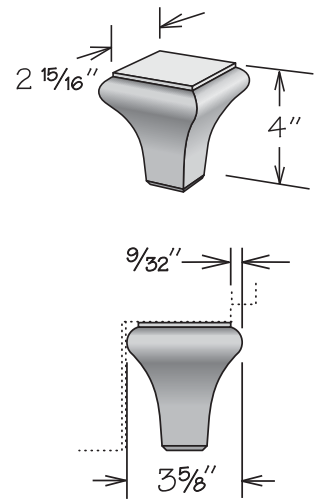
Chantilly Furniture Leg



CFL

- Features solid wood finished to match cabinet box exterior
- Field trimmable

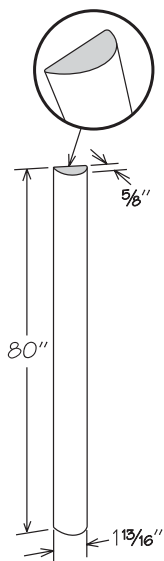
Chantilly Decorative Foot



CDF

- Features solid wood finished to match cabinet box exterior
- Designed as toe kick accent

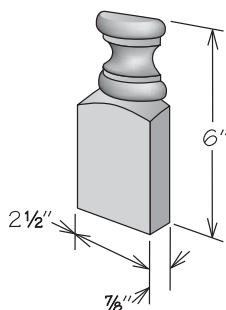
Split Post



SPLT POST80 P

- Features solid wood finished to match cabinet box exterior
- Field trimmable
- Use with Traditional Split Blocks to create design element
- Must be mounted to a Universal Filler - order separately

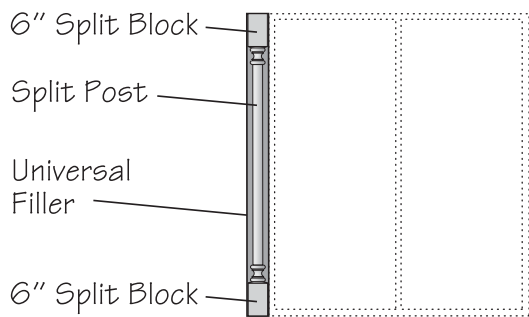
Traditional Split Block - 6"



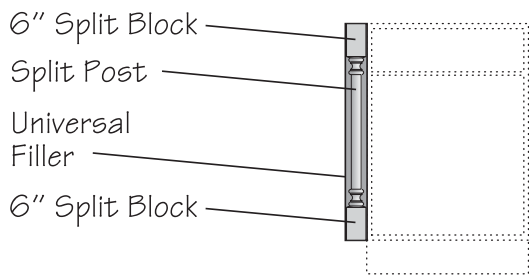
SPLT BLOCK26 T

- Features solid wood finished to match cabinet box exterior
- For floor or wall application
- Must be mounted to a Universal Filler - order separately

Suggested Design Applications

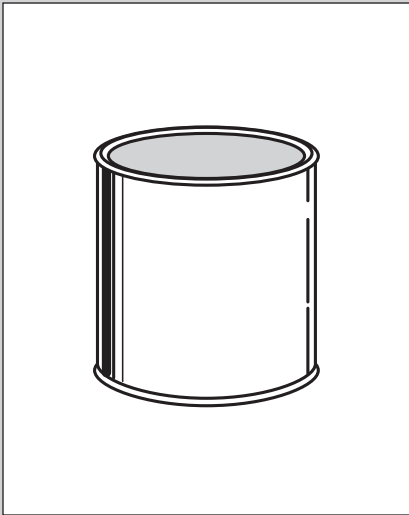


Wall Cabinet

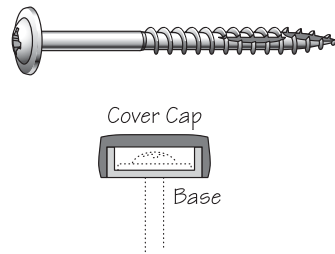


Base Cabinet

Installation Items



Screws & Screw Cover Caps

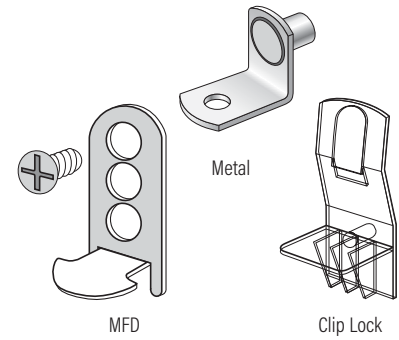


SCREW INST 2.5 BX100
(Box of 100)

COVER CAP TAN
COVER CAP WHT
(Bag of 50)

- Installation screws are Phillips pan head with attached washer 2½" long
- Cover caps used to conceal head of installation screw

Shelf Rests



SHELF REST METAL 4PK
(Package of 4 - Wall cabinets, OFD cabinets or Bookshelves)

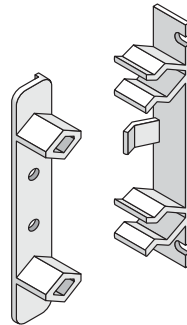
SHELF REST METAL 12
(Package of 12 - Wall cabinets, OFD cabinets or Bookshelves)

SHELF REST MFD PK
(Package of 8 - MFD cabinets)

CLIP LOCK 3/4 4 PK
(Package of 4 - Base or Tall cabinets)

- Metal and MFD shelf rests are nickel-plated steel
- MFD shelf rests are six-position adjustable for alignment of shelf with mullion
- Clip Lock shelf rests are molded clear high-strength polycarbonate

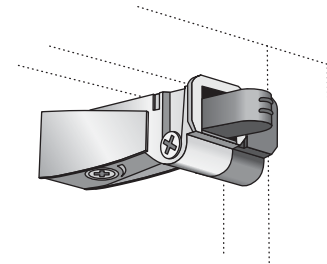
Dummy Drawer Front Fastener



DDF FASTENER

- For installation of one dummy drawer front
- Kit features:
 - Two sets of DDF Fasteners
 - Eight screws
 - One Instruction Sheet
- Please refer to cabinet specifications as some cabinets will require more than one kit

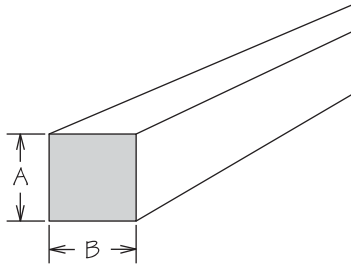
CushionClose Door Buffer



CUSH CLOSE DR BUFFER

- Field installation accessory
- Slow closing system helps reduce slams and noise
- Package includes one unit and installation instructions
- Pre-drilling of face frames recommended
- One unit per door recommended for doors up to 30" high
- Two units per door recommended for doors 36" and higher
- Not for use on the following SKUs: BEA12 FH, BER, BFP3, BFP6, BPP9, BPP12, BPPUS9, BPPUS12, BSS, BTDP9, BWBB, CAR, DFDC, DWBB, VWBB, WEA, WER or WTH

Cleat

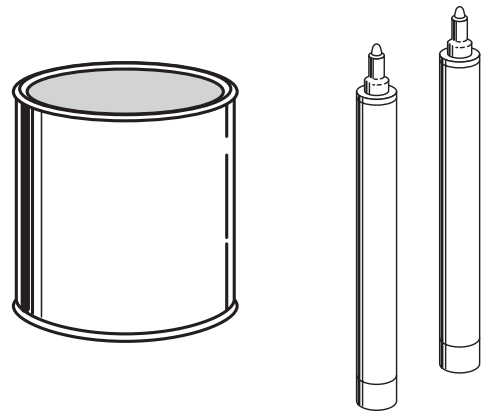


| | A | B | Length |
|----------------|--------|--------|--------|
| HWC 1/2X1/2X94 | 1/2" | 1/2" | 94" |
| HWC 3/4X3/4X94 | 3/4" | 3/4" | 94" |
| HWC 1X2X94 | 3/4" | 1 1/2" | 94" |
| HWC 2X4X96 | 1 1/2" | 3 1/2" | 96" |

HWC 1/2X1/2X94
 HWC 3/4X3/4X94
 HWC 1X2X94
 HWC 2X4X96

- HWC 1/2X1/2X94 and HWC 3/4X3/4X94 are shipped in two 47" long pieces
- Unfinished

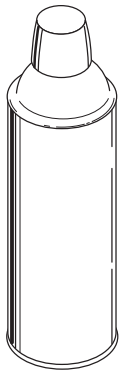
Stain



STAIN PINT
 STAIN QUART
 STAIN GLAZED PINT
 STAIN GLAZED QUART
 STAIN GLAZED PENS
 STAIN TOP COAT PINT
 STAIN TOP COAT QUART

- STAIN PINT (QUART) for use on all non-glazed stains and non-glazed painted finishes
- STAIN GLAZED PINT (QUART) for use on all glazed stains and glazed painted finishes
- STAIN TOP COAT strongly recommended for application over ALL finishes - order separately
- STAIN GLAZED includes STAIN PINT and two STAIN GLAZED PENS per pint
- STAIN GLAZED PENS available for order separately (quantity of two)
- Stains for Duraform Breeze and Drift will match the cabinet box exterior
- Indicate species and finish when ordering
- PINT covers approximately 40 square feet
- QUART covers approximately 80 square feet
- Instructions included
- Glaze comes as pens only - not cans

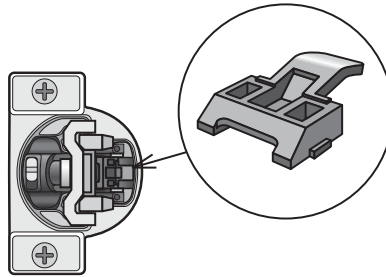
Spray Stain



SPRAY STAIN CLEAR
 SPRAY STAIN TINTED

- SPRAY STAIN TINTED available for all finishes (excluding Maple Truffle, Spice, Cognac and Cherry Java)
- SPRAY STAIN CLEAR for use as top coat for all finishes
- SPRAY STAIN TINTED for Duraform Breeze and Drift will match the cabinet box exterior
- Indicate species and finish when ordering
- 11-ounce aerosol spray can

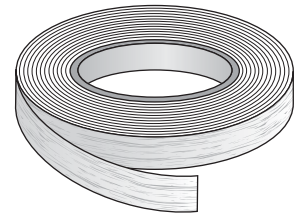
Hinge Restrictor Clip



HINGE CC ANG RES CLP

- Limits door opening to 86 degrees to avoid contact with adjacent objects
- For use on CushionClose hinges only
- Package includes 10 per bag (1 required per hinge)

**Edge Banding
 Duraform Textured**

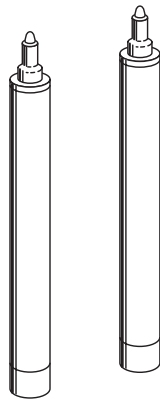


| | Height | Length |
|-------------------|--------|---------|
| EDGE BAND 25 DT | 1/8" | 25 feet |
| EDGE BAND TAPE 50 | 1" | 50 feet |

EDGE BAND 25 DT
 EDGE BAND TAPE 50

- Available for Breeze and Drift finishes only
- Field trimmable
- Tape must be ordered with edge banding for installation

Putty Stick & Marker



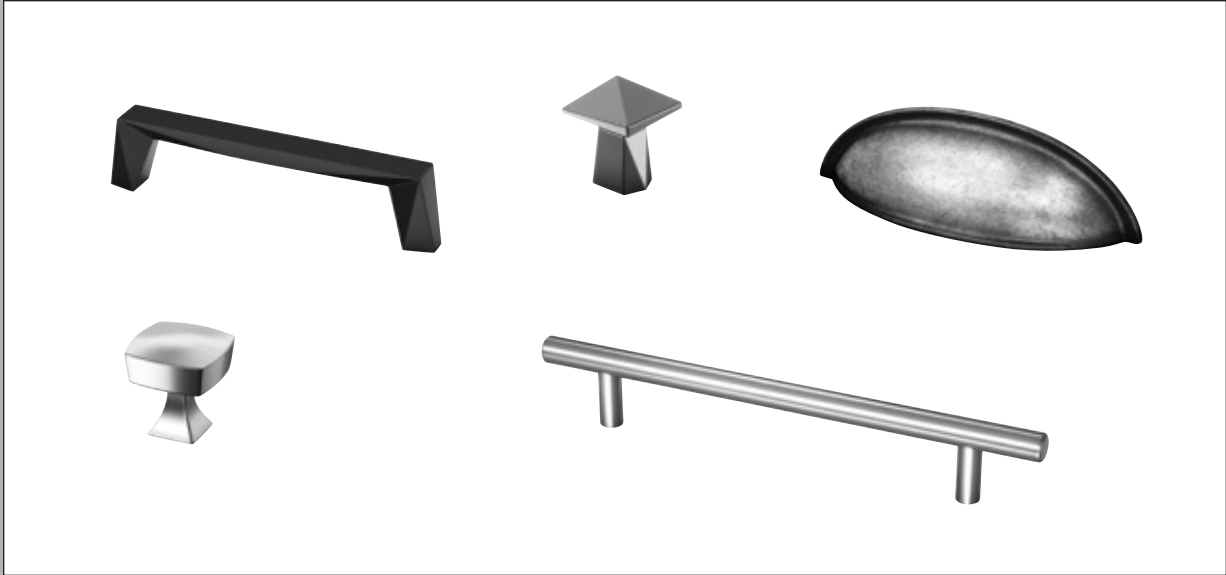
PUTTY STICK EXT QTY1
 PUTTY STICK EXT QTY2
 PUTTY STICK INTERIOR

TU MARKER DURAFORM
 TU MARKER EXT QTY1
 TU MARKER EXT QTY2
 TU MARKER INTERIOR

- Indicate species and finish when ordering
- Refer to chart to order correct QTY
- Putty Stick - for filling minor dents, gouges and scratches made during or after installation
- Touch Up Marker - adds color to minor surface scratches
- Touch Up Markers & Putty Sticks for Duraform Breeze and Drift will match the cabinet box exterior

| Finish | Putty Stick | TU Marker |
|-------------------------|-----------------------------|---------------------------|
| Cherry Java | PUTTY STICK EXT QTY1 | TU MARKER EXT QTY1 |
| Cherry Slate | PUTTY STICK EXT QTY1 | TU MARKER EXT QTY1 |
| Duraform Breeze | PUTTY STICK EXT QTY1 | TU MARKER EXT QTY2 |
| Duraform Drift | PUTTY STICK EXT QTY1 | TU MARKER EXT QTY1 |
| Duraform Espresso | PUTTY STICK EXT QTY1 | TU MARKER DURAFORM |
| Duraform Harbor | PUTTY STICK EXT QTY1 | TU MARKER DURAFORM |
| Duraform Linen | PUTTY STICK EXT QTY2 | TU MARKER DURAFORM |
| Duraform Stone | PUTTY STICK EXT QTY1 | TU MARKER DURAFORM |
| Maple Cognac | PUTTY STICK EXT QTY1 | TU MARKER EXT QTY1 |
| Maple Latte | PUTTY STICK EXT QTY1 | TU MARKER EXT QTY1 |
| Maple Rye | PUTTY STICK EXT QTY1 | TU MARKER EXT QTY1 |
| Maple Slate | PUTTY STICK EXT QTY1 | TU MARKER EXT QTY1 |
| Maple Spice | PUTTY STICK EXT QTY1 | TU MARKER EXT QTY1 |
| Maple Truffle | PUTTY STICK EXT QTY1 | TU MARKER EXT QTY2 |
| Painted Black | PUTTY STICK EXT QTY1 | TU MARKER EXT QTY1 |
| Painted Biscotti | PUTTY STICK EXT QTY1 | TU MARKER EXT QTY2 |
| Painted Boulder | PUTTY STICK EXT QTY1 | TU MARKER EXT QTY1 |
| Painted Ember | PUTTY STICK EXT QTY1 | TU MARKER EXT QTY2 |
| Painted Harbor | PUTTY STICK EXT QTY1 | TU MARKER EXT QTY1 |
| Painted Linen | PUTTY STICK EXT QTY2 | TU MARKER EXT QTY2 |
| Painted Navy | PUTTY STICK EXT QTY1 | TU MARKER EXT QTY1 |
| Painted Pewter | PUTTY STICK EXT QTY1 | TU MARKER EXT QTY2 |
| Painted Sage | PUTTY STICK EXT QTY1 | TU MARKER EXT QTY1 |
| Painted Stone | PUTTY STICK EXT QTY1 | TU MARKER EXT QTY1 |
| Painted Vanilla | PUTTY STICK EXT QTY1 | TU MARKER EXT QTY1 |
| Interior | PUTTY STICK INTERIOR | TU MARKER INTERIOR |

Decorative Hardware



- Knobs and pulls are grouped in three convenient price tiers
- American Woodmark does not recommend drilling through any door/drawer front joint for installation of decorative hardware
- Door and drawer fronts must be adjusted before installing decorative hardware
- Some decorative hardware has restrictions for use on certain door styles, which will be indicated with restriction-specific icons followed by the door style(s) that have the restriction.

| | |
|--------------|--|
| NR12 | not recommended on 12" drawers |
| NR15 | not recommended on drawers 15" or less |
| NR18 | not recommended on drawers 18" or less |
| NR | not recommended for any size drawer |
| NRKDC | not recommended on kneehole drawers |

Example

| | |
|--------------|---|
| Restriction: | NR12 Adelaide w/ DFO, Leesburg w/ DFO, Portola w/ DFO, & Reading w/ DFO |
| | NR15 Brookland w/ DFO, Garner w/ DFO, Glen Ellen w/ DFO, MacArthur, Savannah |

Explanation: This specific hardware is not recommended on 12" drawers for the Adelaide w/ DFO, Leesburg w/ DFO, Portola w/ DFO, or Reading w/ DFO door styles. Also, this specific hardware is not recommended on drawers 15" or less for the Brookland w/ DFO, Garner w/ DFO, Glen Ellen w/ DFO, MacArthur or Savannah door styles.

Antic **NEW!** **HARDWARE**



Tier 3
Antic Pull
Polished Chrome
PULL 6797PC

128mm Center • Overall Length: 5 13/16"



Tier 3
Antic Pull
Satin Nickel
PULL 6797SN

128mm Center • Overall Length: 5 13/16"



Tier 3
Antic Pull
Vintage Nickel
PULL 6797VN

128mm Center • Overall Length: 5 13/16"



Tier 3
Antic Pull
Modern Brushed Gold
PULL 6797MG

128mm Center • Overall Length: 5 13/16"



Tier 3
Antic Pull
Matte Black
PULL 6797MB

128mm Center • Overall Length: 5 13/16"

NR12 Portola w/ DFO, Reading w/ DFO



Tier 3
Antic Knob
Polished Chrome
KNOB 6798PC



Tier 3
Antic Knob
Satin Nickel
KNOB 6798SN



Tier 3
Antic Knob
Vintage Nickel
KNOB 6798VN



Tier 3
Antic Knob
Modern Brushed Gold
KNOB 6798MG



Tier 3
Antic Knob
Matte Black
KNOB 6798MB

Briolette **NEW!** **HARDWARE**



Tier 3
Briolette Pull
Polished Chrome
PULL 2272PC

128mm Center • Overall Length: 5 3/4"



Tier 3
Briolette Pull
Satin Nickel
PULL 2272SN

128mm Center • Overall Length: 5 3/4"



Tier 3
Briolette Pull
Modern Brushed Gold
PULL 2272MG

128mm Center • Overall Length: 5 3/4"



Tier 3
Briolette Pull
Brushed Copper
PULL 2272CP

128mm Center • Overall Length: 5 3/4"



Tier 3
Briolette Pull
Matte Black
PULL 2272MB

128mm Center • Overall Length: 5 3/4"

NR12 Portola w/ DFO, Reading w/ DFO



Tier 3
Briolette Knob
Polished Chrome
KNOB 2271PC



Tier 3
Briolette Knob
Satin Nickel
KNOB 2271SN



Tier 3
Briolette Knob
Modern Brushed Gold
KNOB 2271MG



Tier 3
Briolette Knob
Brushed Copper
KNOB 2271CP



Tier 3
Briolette Knob
Matte Black
KNOB 2271MB

Radiant **NEW!** **HARDWARE**



Tier 3
Radiant Pull
Satin Nickel
PULL 0318SN

128mm Center • Overall Length: 5 3/4"



Tier 3
Radiant Pull
Weathered Nickel
PULL 0318WN

128mm Center • Overall Length: 5 3/4"



Tier 3
Radiant Pull
Modern Brushed Gold
PULL 0318MG

128mm Center • Overall Length: 5 3/4"



Tier 3
Radiant Pull
Verona Bronze
PULL 0318VB

128mm Center • Overall Length: 5 3/4"



Tier 3
Radiant Pull
Matte Black
PULL 0318MB

128mm Center • Overall Length: 5 3/4"

NR12 Portola w/ DFO, Reading w/ DFO



Tier 3
Radiant Knob
Satin Nickel
KNOB 0319SN



Tier 3
Radiant Knob
Weathered Nickel
KNOB 0319WN



Tier 3
Radiant Knob
Modern Brushed Gold
KNOB 0319MG



Tier 3
Radiant Knob
Verona Bronze
KNOB 0319VB



Tier 3
Radiant Knob
Matte Black
KNOB 0319MB

Trillion **NEW!** **HARDWARE**



Tier 3
Trillion Pull
Polished Chrome
PULL 0875PC

128mm Center • Overall Length: 5 1/2"



Tier 3
Trillion Pull
Satin Nickel
PULL 0875SN

128mm Center • Overall Length: 5 1/2"



Tier 3
Trillion Pull
Vintage Nickel
PULL 0875VN

128mm Center • Overall Length: 5 1/2"



Tier 3
Trillion Pull
Modern Brushed Gold
PULL 0875MG

128mm Center • Overall Length: 5 1/2"



Tier 3
Trillion Pull
Matte Black
PULL 0875MB

128mm Center • Overall Length: 5 1/2"

NR12 Reading w/ DFO



Tier 3
Trillion Knob
Polished Chrome
KNOB 0876PC



Tier 3
Trillion Knob
Satin Nickel
KNOB 0876SN



Tier 3
Trillion Knob
Vintage Nickel
KNOB 0876VN



Tier 3
Trillion Knob
Modern Brushed Gold
KNOB 0876MG



Tier 3
Trillion Knob
Matte Black
KNOB 0876MB

Marquise **NEW!** **HARDWARE**



Tier 3
Marquise Pull - 6 7/8"
Polished Chrome
PULL 4213PC

160mm Center • Overall Length: 6 7/8"



Tier 3
Marquise Pull - 6 7/8"
Satin Nickel
PULL 4213SN

160mm Center • Overall Length: 6 7/8"



Tier 3
Marquise Pull - 6 7/8"
Modern Brushed Gold
PULL 4213MG

160mm Center • Overall Length: 6 7/8"



Tier 3
Marquise Pull - 6 7/8"
Brushed Copper
PULL 4213CP

160mm Center • Overall Length: 6 7/8"



Tier 3
Marquise Pull - 6 7/8"
Matte Black
PULL 4213MB

160mm Center • Overall Length: 6 7/8"

NR12 Adelaide w/ DFO, Glen Ellen w/ DFO, Leesburg w/ DFO, Portola w/ DFO, Reading w/ DFO, Savannah



Tier 3
Marquise Pull - 5 9/16"
Polished Chrome
PULL 4212PC

128mm Center • Overall Length: 5 9/16"



Tier 3
Marquise Pull - 5 9/16"
Satin Nickel
PULL 4212SN

128mm Center • Overall Length: 5 9/16"



Tier 3
Marquise Pull - 5 9/16"
Modern Brushed Gold
PULL 4212MG

128mm Center • Overall Length: 5 9/16"



Tier 3
Marquise Pull - 5 9/16"
Brushed Copper
PULL 4212CP

128mm Center • Overall Length: 5 9/16"



Tier 3
Marquise Pull - 5 9/16"
Matte Black
PULL 4212MB

128mm Center • Overall Length: 5 9/16"

NR12 Portola w/ DFO, Reading w/ DFO

Halo **NEW!** **HARDWARE**



Tier 2
Halo Knob
Polished Chrome
KNOB 3106PC



Tier 2
Halo Knob
Satin Nickel
KNOB 3106SN



Tier 2
Halo Knob
Modern Brushed Gold
KNOB 3106MG



Tier 2
Halo Knob
Brushed Copper
KNOB 3106CP



Tier 2
Halo Knob
Matte Black
KNOB 3106MB

Rectangular **NEW!** **HARDWARE**



Tier 2
Rectangular Pull
Polished Chrome
PULL 3502PC

96mm Center • Overall Length: 4 13/16"



Tier 2
Rectangular Pull
Satin Nickel
PULL 3502SN

96mm Center • Overall Length: 4 13/16"



Tier 2
Rectangular Pull
Vintage Nickel
PULL 3502VN

96mm Center • Overall Length: 4 13/16"



Tier 2
Rectangular Pull
Modern Brushed Gold
PULL 3502MG

96mm Center • Overall Length: 4 13/16"



Tier 2
Rectangular Pull
Matte Black
PULL 3502MB

96mm Center • Overall Length: 4 13/16"



Tier 2
Rectangular Knob
Polished Chrome
KNOB 3503PC



Tier 2
Rectangular Knob
Satin Nickel
KNOB 3503SN



Tier 2
Rectangular Knob
Vintage Nickel
KNOB 3503VN



Tier 2
Rectangular Knob
Modern Brushed Gold
KNOB 3503MG



Tier 2
Rectangular Knob
Matte Black
KNOB 3503MB

Beaded **NEW!** **HARDWARE**



Tier 2
Beaded Pull
Satin Nickel
PULL 3562SN

96mm Center • Overall Length: 4 1/2"



Tier 2
Beaded Pull
Weathered Nickel
PULL 3562WN

96mm Center • Overall Length: 4 1/2"



Tier 2
Beaded Pull
Modern Brushed Gold
PULL 3562MG

96mm Center • Overall Length: 4 1/2"



Tier 2
Beaded Pull
Verona Bronze
PULL 3562VB

96mm Center • Overall Length: 4 1/2"



Tier 2
Beaded Pull
Matte Black
PULL 3562MB

96mm Center • Overall Length: 4 1/2"

Stamped **NEW!** **HARDWARE**



Tier 2
Stamped Knob
Satin Nickel
KNOB 3563SN



Tier 2
Stamped Knob
Weathered Nickel
KNOB 3563WN



Tier 2
Stamped Knob
Modern Brushed Gold
KNOB 3563MG



Tier 2
Stamped Knob
Verona Bronze
KNOB 3563VB



Tier 2
Stamped Knob
Matte Black
KNOB 3563MB

Bow **NEW!** **HARDWARE**



Tier 2
Bow Pull - 7 13/16"
Polished Chrome
PULL 3129PC
5" Center • Overall Length: 7 13/16"

Tier 2
Bow Pull - 7 13/16"
Satin Nickel
PULL 3129SN
5" Center • Overall Length: 7 13/16"

Tier 2
Bow Pull - 7 13/16"
Modern Brushed Gold
PULL 3129MG
5" Center • Overall Length: 7 13/16"

Tier 2
Bow Pull - 7 13/16"
Brushed Copper
PULL 3129CP
5" Center • Overall Length: 7 13/16"

Tier 2
Bow Pull - 7 13/16"
Matte Black
PULL 3129MB
5" Center • Overall Length: 7 13/16"

NR12 Adelaide w/ DFO, Garner w/ DFO, Glen Ellen w/ DFO, Leesburg w/ DFO, MacArthur, Portola w/ DFO, Reading w/ DFO, Savannah



Tier 1
Bow Pull - 6 3/16"
Polished Chrome
PULL 3128PC
96mm Center • Overall Length: 6 3/16"

Tier 1
Bow Pull - 6 3/16"
Satin Nickel
PULL 3128SN
96mm Center • Overall Length: 6 3/16"

Tier 1
Bow Pull - 6 3/16"
Modern Brushed Gold
PULL 3128MG
96mm Center • Overall Length: 6 3/16"

Tier 1
Bow Pull - 6 3/16"
Brushed Copper
PULL 3128CP
96mm Center • Overall Length: 6 3/16"

Tier 1
Bow Pull - 6 3/16"
Matte Black
PULL 3128MB
96mm Center • Overall Length: 6 3/16"

NR12 Portola w/ DFO, Reading w/ DFO

Tempo **NEW!** **HARDWARE**



Tier 2
Tempo Pull
Polished Chrome
PULL 0323PC
128mm Center • Overall Length: 5 7/16"

Tier 2
Tempo Pull
Satin Nickel
PULL 03232SN
128mm Center • Overall Length: 5 7/16"

Tier 2
Tempo Pull
Modern Brushed Gold
PULL 0323MG
128mm Center • Overall Length: 5 7/16"

Tier 2
Tempo Pull
Brushed Copper
PULL 0323CP
128mm Center • Overall Length: 5 7/16"

Tier 1
Tempo Pull
Matte Black
PULL 0323MB
128mm Center • Overall Length: 5 7/16"

NR12 Reading w/ DFO



Tier 2
Tempo Knob
Polished Chrome
KNOB 0322PC



Tier 2
Tempo Knob
Satin Nickel
KNOB 0322SN



Tier 2
Tempo Knob
Modern Brushed Gold
KNOB 0322MG



Tier 2
Tempo Knob
Brushed Copper
KNOB 0322CP



Tier 2
Tempo Knob
Matte Black
KNOB 0322MB

Cup NEW! HARDWARE



Tier 2
Cup Pull
Satin Nickel
PULL 3105SN

3" Center • Overall Length: 4 5/8"



Tier 2
Cup Pull
Weathered Nickel
PULL 3105WN

3" Center • Overall Length: 4 5/8"



Tier 2
Cup Pull
Modern Brushed Gold
PULL 3105MG

3" Center • Overall Length: 4 5/8"



Tier 2
Cup Pull
Verona Bronze
PULL 3105VB

3" Center • Overall Length: 4 5/8"



Tier 2
Cup Pull
Matte Black
PULL 3105MB

3" Center • Overall Length: 4 5/8"

| | |
|--------------|--|
| NR | Portola w/ DFO, Savannah |
| NRKDC | Adelaide w/ DFO, Leesburg w/ DFO, Reading w/ DFO |

Classic NEW! HARDWARE



Tier 1
Classic Pull
Satin Nickel
PULL 3172SN

3" Center • Overall Length: 5 5/8"



Tier 1
Classic Pull
Verona Bronze
PULL 3172VB

3" Center • Overall Length: 5 5/8"



Tier 1
Classic Pull
Matte Black
PULL 3172MB

3" Center • Overall Length: 5 5/8"



Tier 1
Classic Knob
Satin Nickel
KNOB 3173SN



Tier 1
Classic Knob
Weathered Nickel
KNOB 3173WN



Tier 1
Classic Knob
Modern Brushed Gold
KNOB 3173MG



Tier 1
Classic Knob
Verona Bronze
KNOB 3173VB



Tier 1
Classic Knob
Matte Black
KNOB 3173MB

Toggle NEW! HARDWARE



Tier 1
Toggle Knob
Satin Nickel
KNOB 3239SN



Tier 1
Toggle Knob
Verona Bronze
KNOB 3239VB



Tier 1
Toggle Knob
Matte Black
KNOB 3239MB

Twisted Crescent **NEW!** **HARDWARE**



Tier 1
Twisted Crescent Pull
Satin Nickel
 PULL 3122SN
 96mm Center • Overall Length: 5 1/16"



Tier 1
Twisted Crescent Pull
Verona Bronze
 PULL 3122VB
 96mm Center • Overall Length: 5 1/16"



Tier 1
Twisted Crescent Pull
Matte Black
 PULL 3122MB
 96mm Center • Overall Length: 5 1/16"

Button **NEW!** **HARDWARE**



Tier 1
Button Knob
Satin Nickel
 KNOB 3213SN



Tier 1
Button Knob
Verona Bronze
 KNOB 3213VB



Tier 1
Button Knob
Matte Black
 KNOB 3213MB

Ringed **NEW!** **HARDWARE**



Tier 1
Ringed Arch Pull
Satin Nickel
 PULL 3672SN
 3" Center • Overall Length: 5 1/2"



Tier 1
Ringed Arch Pull
Verona Bronze
 PULL 3672VB
 3" Center • Overall Length: 5 1/2"



Tier 1
Ringed Arch Pull
Matte Black
 PULL 3672MB
 3" Center • Overall Length: 5 1/2"

NR12 Reading w/ DFO



Tier 1
Ringed Knob
Satin Nickel
 KNOB 3673SN



Tier 1
Ringed Knob
Verona Bronze
 KNOB 3673VB

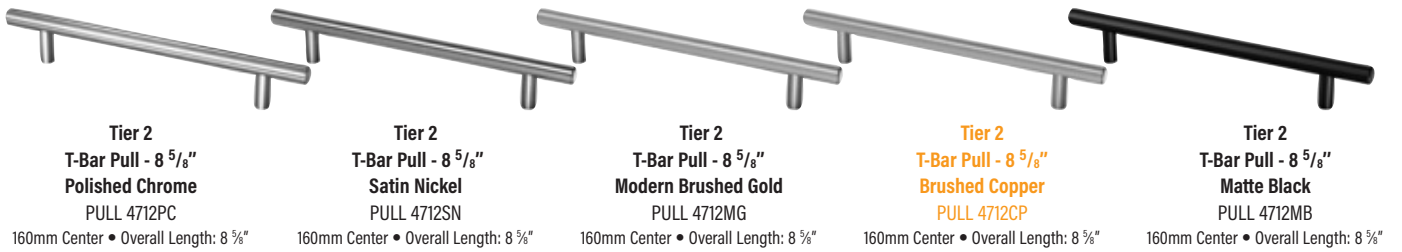


Tier 1
Ringed Knob
Matte Black
 KNOB 3673MB

T-Bar **NEW!** **HARDWARE**



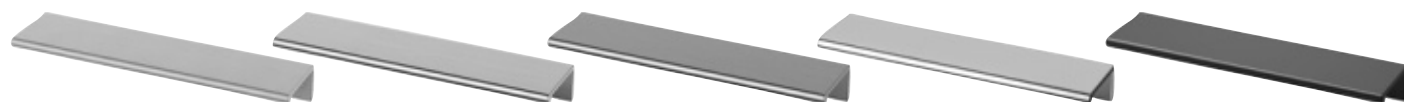
| | |
|-------------|--|
| NR12 | Any door style |
| NR15 | Adelaide w/ DFO, Ashland, Brookland w/ DFO, Garner w/ DFO, Glen Ellen w/ DFO, Leesburg w/ DFO, Portola w/ DFO, Portola, Reading w/ DFO |
| NR18 | MacArthur, Savannah |



| | |
|-------------|--|
| NR12 | Adelaide w/ DFO, Ashland, Brookland w/ DFO, Garner w/ DFO, Glen Ellen w/ DFO, Leesburg w/ DFO, MacArthur, Portola w/ DFO, Reading w/ DFO, Savannah |
|-------------|--|



Tab **NEW!** **HARDWARE**



Tier 3
Tab Pull - 6"
Polished Chrome
 PULL 1060PC
 Overall Length: 6"

Tier 3
Tab Pull - 6"
Satin Nickel
 PULL 1060SN
 Overall Length: 6"

Tier 3
Tab Pull - 6"
Modern Brushed Gold
 PULL 1060MG
 Overall Length: 6"

Tier 3
Tab Pull - 6"
Brushed Copper
 PULL 1060CP
 Overall Length: 6"

Tier 3
Tab Pull - 6"
Matte Black
 PULL 1060MB
 Overall Length: 6"



Tier 2
Tab Pull - 3"
Polished Chrome
 PULL 1055PC
 Overall Length: 3"



Tier 2
Tab Pull - 3"
Satin Nickel
 PULL 1055SN
 Overall Length: 3"



Tier 2
Tab Pull - 3"
Modern Brushed Gold
 PULL 1055MG
 Overall Length: 3"



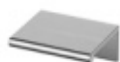
Tier 2
Tab Pull - 3"
Brushed Copper
 PULL 1055CP
 Overall Length: 3"



Tier 2
Tab Pull - 3"
Matte Black
 PULL 1055MB
 Overall Length: 3"



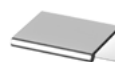
Tier 1
Tab Pull - 1 3/4"
Polished Chrome
 PULL 1050PC
 Overall Length: 1 3/4"



Tier 1
Tab Pull - 1 3/4"
Satin Nickel
 PULL 1050SN
 Overall Length: 1 3/4"



Tier 1
Tab Pull - 1 3/4"
Modern Brushed Gold
 PULL 1050MG
 Overall Length: 1 3/4"

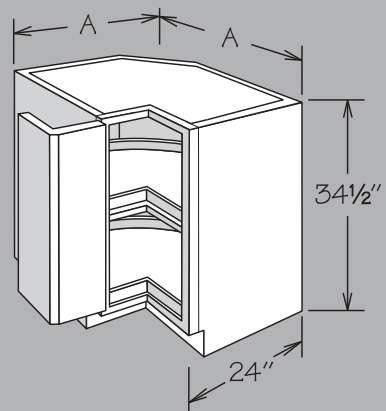
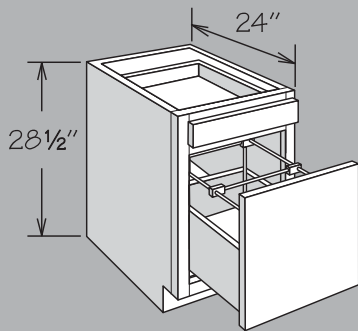
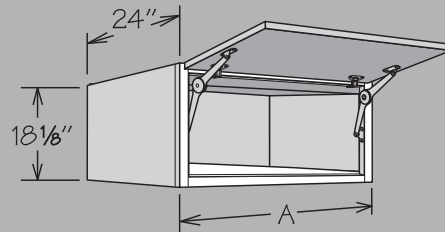
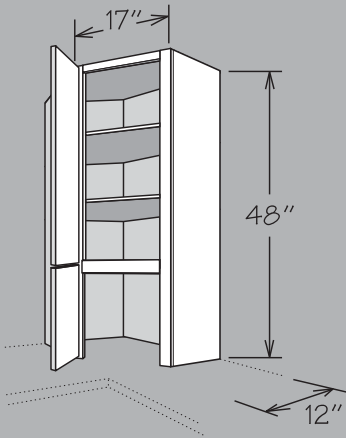
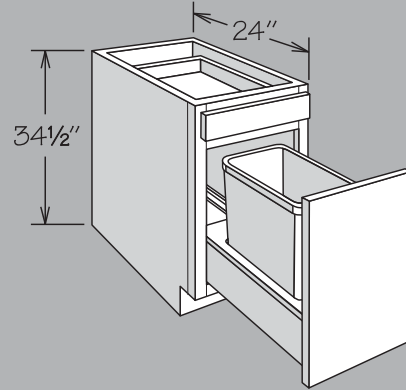
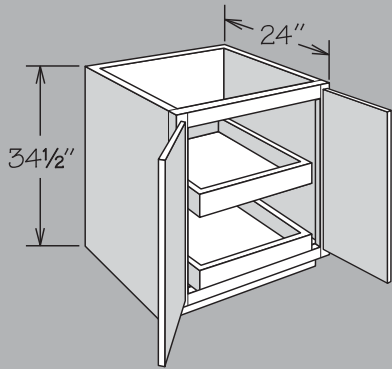


Tier 1
Tab Pull - 1 3/4"
Brushed Copper
 PULL 1050CP
 Overall Length: 1 3/4"



Tier 1
Tab Pull - 1 3/4"
Matte Black
 PULL 1050MB
 Overall Length: 1 3/4"

Parts Directory



Parts Directory

Wall Cabinets

| | |
|------------------|----|
| Standard | P3 |
| Peninsula | P4 |
| Wall End Angle | P5 |
| Wall Top Hinge | P5 |
| Blind | P6 |
| Blind Peninsula | P6 |
| Corner | P7 |
| Peninsula Corner | P7 |
| Refrigerator | P7 |
| With Spice Rack | P8 |
| Appliance Garage | P8 |
| Microwave | P8 |
| Wall Range Hood | P9 |
| Wall Easy Reach | P9 |

Base Cabinets

| | |
|--|-----|
| Furniture Drawer | P10 |
| Pedestal Drawers | P10 |
| Standard | P11 |
| With Deep Roll Out Tray(s) | P11 |
| Base Pot and Pan Organizer | P12 |
| With Door Accessory | P12 |
| With Roll Out Tray Divider | P12 |
| With Factory Installed Wastebaskets | P12 |
| Peninsula | P12 |
| With Factory Installed Cutlery Divider Kit | P13 |
| With Factory Installed Spice Drawer Insert Kit | P13 |
| With Factory Installed Wood Tiered Cutlery Divider Kit | P14 |
| Blind Corner | P14 |
| Blind Peninsula Corner | P14 |
| Full-Height Base | P18 |
| Full-Height Base with Accessory | P18 |
| Full-Height Base with Deep Roll Out Trays | P18 |
| Full-Height Wastebasket | P18 |
| Base End Angle | P18 |
| Full-Height Peninsula | P18 |

Drawer Base Cabinets

| | |
|--|-----|
| Two Drawer Base | P15 |
| Three Drawer Base | P15 |
| Three Drawer With Factory Installed Drawer Organizer | P15 |
| Four Drawer | P16 |
| Four Drawer With Factory Installed Drawer Organizer | P16 |
| Base Microwave | P17 |
| Base Spice Drawer | P17 |
| Spice Drawer Cabinet | P17 |

Sink Base Cabinets

| | |
|--|-----|
| Corner Sink Base, Corner Sink Front | P19 |
| Deep Sink Base | P19 |
| Sink/Cooktop Base and Front | P19 |
| Sink with Factory Installed Tilt-Out Tray(s) | P19 |
| Sink with Factory Installed Tilt-Out Tray(s) | P19 |

Corner Base Cabinets

P20

Tall Cabinets

| | |
|----------------------------------|-----|
| Utility With Adjustable Shelves | P21 |
| Utility With Deep Roll Out Trays | P24 |
| Utility With Pantry Storage | P25 |
| Double Oven | P26 |
| Single Oven | P27 |
| Double Oven, No Drawer | P32 |

Vanity Cabinets

| | |
|---|-----|
| Vanity Sink Base 31 1/8" High | P33 |
| Vanity Sink Base 34 1/2" High | P33 |
| Vanity Sink Front | P33 |
| Vanity Drawer Base 31 1/8" High | P34 |
| Vanity Drawer Base 34 1/2" High | P34 |
| Kneehole Drawer | P34 |
| With Full-Height Door | P34 |
| Vanity Combo Sink Base 31 1/8" High | P35 |
| Vanity Base 31 1/8" High | P35 |
| Vanity Sink Base With Top Drawers 31 1/8" High | P35 |
| Vanity Combo Sink Base 18" Deep, 31 1/8" High | P35 |
| Vanity Base 34 1/2" High | P36 |
| With Factory Installed Wastebasket 34 1/2" High | P37 |
| Vanity Sink Base With Top Drawers 34 1/2" High | P37 |
| Vanity Combo Sink Base 18" Deep, 34 1/2" High | P37 |
| Vanity Combo Sink Base 34 1/2" High | P38 |
| Vanity Linen | P39 |
| Medicine Cabinet | P39 |
| Tri-View Mirror | P39 |
| Valet | P39 |

Universal Design

| | |
|---|-----|
| Base, Corner Base, Sink Base | P40 |
| With Deep Roll Out Trays | P40 |
| Base Multi-Use, Drawer Base, Plumbing Skirt | P40 |
| Oven Cabinet | P30 |

Desk & Office Cabinets

| | |
|---------------------------------------|-----|
| Kneehole Drawer | P34 |
| Desk Door | P41 |
| With Factory Installed Wastebasket(s) | P41 |
| Desk File Pull Out | P41 |
| Desk Drawer | P41 |

Decorator Matching Doors

P42

Dimensions

| | |
|----------------------------|-----|
| Doors | P43 |
| Drawer Body | P45 |
| Shelves | P46 |
| Roll Out Trays/Accessories | P46 |
| Glass Inserts | P47 |
| Drawer Front | P49 |

Accessories

| | |
|---------------------|-----|
| Miscellaneous Parts | P50 |
|---------------------|-----|

Replacement Drawer Reference Sheet

P53

DOOR NOMENCLATURE LEGEND

| | |
|-------|---|
| | Doors must be ordered as hinged left (invert for right hinging) or as no drill |
| DR_ | Example: SKU: DR1230 Option: Left Hinge |
| DR_SD | Specialty Doors are used for Mullion Frame or Open Frame Door options Example: SKU: DR1230 SD Option: OFD - Open Frame Door Option: Left Hinge |
| DR_FH | Full-Height Door for Full-Height Base, Full-Height Peninsula Base and Full-Height Vanity Base Example: SKU: DR15 FH Option: Left Hinge |
| DR_V | Standard height Vanity door Example: SKU: DR1821V Option: Right Hinge |

DRAWER/PANEL FRONT NOMENCLATURE LEGEND

| | |
|----------|--|
| DDF__ | Drawer/Panel Front for Base, Desk or Vanity cabinet |
| DDF__M | Large Drawer Front for Full Overlay cabinet |
| DDF__D | Large Drawer Front for Partial Overlay cabinet |
| DDF__VD | Large Drawer Front for Full Overlay standard height Vanity cabinet |
| DDFOV__ | Drawer Front for Full Overlay OVD__ (AS) BUTT |
| DDFKDC__ | Drawer Front for Knee-hole Drawer cabinet |
| DDF__2DB | Drawer Front for 2 Drawer Base Cabinet |

ADJUSTABLE SHELVING NOMENCLATURE LEGEND

| | |
|---|--|
| Bookshelves and Microwave Wall Cabinet replacement shelves feature Matching Interior standard - MI and MI PLY Shelving NOT available Specialty Door cabinets feature Matching Interior standard, replacement shelves must be ordered as __" SHELF MI or __" SHELF MI PLY | |
| __" SHELF 3/4 | Adjustable Shelf - Standard Wall Construction 3/4" Example: 12" SHELF 3/4 |
| __" SHELF 24 DP 3/4 | Adjustable Shelf - Standard Base Construction 3/4" Example: 12" SHELF 24DP 3/4 |
| __" SHELF MI | For Matching Interior 3/4" Adjustable Shelving, replace 3/4 with MI Example: 12" SHELF MI |
| __" SHELF PLY | For All Plywood Construction 3/4" Adjustable Shelving, replace 3/4 with PLY Example: 12" SHELF PLY |
| __" SHELF MI PLY | For All Plywood Construction 3/4" Matching Interior Adjustable Shelving, replace 3/4 with MI PLY Example: 12" SHELF MI PLY |

*refer to Reduced Depth chart on page 56 for cabinets with RD

P3 PARTS DIRECTORY: Wall Cabinets

PARTS: WALL CABINETS

| SKU | Qty | DOOR | SPECIALTY DOOR | DECORATIVE GLASS | Qty | ADJUSTABLE SHELF |
|---------------------------------|-----|-------------|--|------------------|-----|--|
| | | | *Specialty doors require a specialty door selection. | | | *For All Plywood Construction or Matching Interior Adjustable Shelf, refer to Parts Directory legend |
| | | Part Name | *Part Name | Part Name | | *Part Name |
| STANDARD WALL - 42" HIGH | | | | | | |
| W942 | 1 | DR942 | - | - | 3 | 9" SHELF 3/4 |
| W1242 | 1 | DR1242 | DR1242 SD | DGI-1242 | 3 | 12" SHELF 3/4 |
| W1542 | 1 | DR1542 | DR1542 SD | DGI-1542 | 3 | 15" SHELF 3/4 |
| W1842 | 1 | DR1842 | DR1842 SD | DGI-1842 | 3 | 18" SHELF 3/4 |
| W2142 | 1 | DR2142 | DR2142 SD | DGI-2142 | 3 | 21" SHELF 3/4 |
| W2442 BUTT | 2 | DR1242 BUTT | DR1242 BUTT SD | DGI-1242 BUTT | 3 | 24" SHELF 3/4 |
| W2742 BUTT | 2 | DR1342 BUTT | DR1342 BUTT SD | DGI-1342 BUTT | 3 | 27" SHELF 3/4 |
| W3042 BUTT | 2 | DR1542 BUTT | DR1542 BUTT SD | DGI-1542 BUTT | 3 | 30" SHELF 3/4 |
| W3342 BUTT | 2 | DR1642 BUTT | DR1642 BUTT SD | DGI-1642 BUTT | 3 | 33" SHELF 3/4 |
| W3642 BUTT | 2 | DR1842 BUTT | DR1842 BUTT SD | DGI-1842 BUTT | 3 | 36" SHELF 3/4 |
| W3942 | 2 | DR1942 | DR1942 SD | DGI-1942 | 3 | 39" SHELF 3/4 |
| W4242 | 2 | DR2142 | DR2142 SD | DGI-2142 | 3 | 42" SHELF 3/4 |
| STANDARD WALL - 39" HIGH | | | | | | |
| W939 | 1 | DR939 | - | - | 3 | 9" SHELF 3/4 |
| W1239 | 1 | DR1239 | DR1239 SD | DGI-1239 | 3 | 12" SHELF 3/4 |
| W1539 | 1 | DR1539 | DR1539 SD | DGI-1539 | 3 | 15" SHELF 3/4 |
| W1839 | 1 | DR1839 | DR1839 SD | DGI-1839 | 3 | 18" SHELF 3/4 |
| W2139 | 1 | DR2139 | DR2139 SD | DGI-2139 | 3 | 21" SHELF 3/4 |
| W2439 BUTT | 2 | DR1239 BUTT | DR1239 BUTT SD | DGI-1239 BUTT | 3 | 24" SHELF 3/4 |
| W2739 BUTT | 2 | DR1339 BUTT | DR1339 BUTT SD | DGI-1339 BUTT | 3 | 27" SHELF 3/4 |
| W3039 BUTT | 2 | DR1539 BUTT | DR1539 BUTT SD | DGI-1539 BUTT | 3 | 30" SHELF 3/4 |
| W3339 BUTT | 2 | DR1639 BUTT | DR1639 BUTT SD | DGI-1639 BUTT | 3 | 33" SHELF 3/4 |
| W3639 BUTT | 2 | DR1839 BUTT | DR1839 BUTT SD | DGI-1839 BUTT | 3 | 36" SHELF 3/4 |
| STANDARD WALL - 36" HIGH | | | | | | |
| W936 | 1 | DR936 | - | - | 2 | 9" SHELF 3/4 |
| W1236 | 1 | DR1236 | DR1236 SD | DGI-1236 | 2 | 12" SHELF 3/4 |
| W1536 | 1 | DR1536 | DR1536 SD | DGI-1536 | 2 | 15" SHELF 3/4 |
| W1836 | 1 | DR1836 | DR1836 SD | DGI-1836 | 2 | 18" SHELF 3/4 |
| W2136 | 1 | DR2136 | DR2136 SD | DGI-2136 | 2 | 21" SHELF 3/4 |
| W2436 BUTT | 2 | DR1236 BUTT | DR1236 BUTT SD | DGI-1236 BUTT | 2 | 24" SHELF 3/4 |
| W2736 BUTT | 2 | DR1336 BUTT | DR1336 BUTT SD | DGI-1336 BUTT | 2 | 27" SHELF 3/4 |
| W3036 BUTT | 2 | DR1536 BUTT | DR1536 BUTT SD | DGI-1536 BUTT | 2 | 30" SHELF 3/4 |
| W3336 BUTT | 2 | DR1636 BUTT | DR1636 BUTT SD | DGI-1636 BUTT | 2 | 33" SHELF 3/4 |
| W3636 BUTT | 2 | DR1836 BUTT | DR1836 BUTT SD | DGI-1836 BUTT | 2 | 36" SHELF 3/4 |
| W3936 | 2 | DR1936 | DR1936 SD | DGI-1936 | 2 | 39" SHELF 3/4 |
| W4236 | 2 | DR2136 | DR2136 SD | DGI-2136 | 2 | 42" SHELF 3/4 |
| STANDARD WALL - 30" HIGH | | | | | | |
| W930 | 1 | DR930 | - | - | 2 | 9" SHELF 3/4 |
| W1230 | 1 | DR1230 | DR1230 SD | DGI-1230 | 2 | 12" SHELF 3/4 |
| W1530 | 1 | DR1530 | DR1530 SD | DGI-1530 | 2 | 15" SHELF 3/4 |
| W1830 | 1 | DR1830 | DR1830 SD | DGI-1830 | 2 | 18" SHELF 3/4 |
| W2130 | 1 | DR2130 | DR2130 SD | DGI-2130 | 2 | 21" SHELF 3/4 |
| W2430 | 1 | DR2430 | - | - | 2 | 24" SHELF 3/4 |
| W2430 BUTT | 2 | DR1230 BUTT | DR1230 BUTT SD | DGI-1230 BUTT | 2 | 24" SHELF 3/4 |
| W2730 BUTT | 2 | DR1330 BUTT | DR1330 BUTT SD | DGI-1330 BUTT | 2 | 27" SHELF 3/4 |
| W3030 BUTT | 2 | DR1530 BUTT | DR1530 BUTT SD | DGI-1530 BUTT | 2 | 30" SHELF 3/4 |
| W3330 BUTT | 2 | DR1630 BUTT | DR1630 BUTT SD | DGI-1630 BUTT | 2 | 33" SHELF 3/4 |
| W3630 BUTT | 2 | DR1830 BUTT | DR1830 BUTT SD | DGI-1830 BUTT | 2 | 36" SHELF 3/4 |
| W3930 | 2 | DR1930 | DR1930 SD | DGI-1930 | 2 | 39" SHELF 3/4 |
| W4230 | 2 | DR2130 | DR2130 SD | DGI-2130 | 2 | 42" SHELF 3/4 |
| W4530 | 3 | DR1530 | DR1530 SD | DGI-1530 | 2 | 45" SHELF 3/4 |
| W4830 | 2 | DR2430 | - | - | 2 | 48" SHELF 3/4 |

| SKU | Qty | DOOR | SPECIALTY DOOR | DECORATIVE GLASS | Qty | ADJUSTABLE SHELF |
|----------------------------------|-----|-------------|--|------------------|-----|--|
| | | | *Specialty doors require a specialty door selection. | | | *For All Plywood Construction or Matching Interior Adjustable Shelf, refer to Parts Directory legend |
| | | Part Name | *Part Name | Part Name | | *Part Name |
| STANDARD WALL • 27" HIGH | | | | | | |
| W3027 BUTT | 2 | DR1527 BUTT | DR1527 BUTT SD | DGI-1527 BUTT | 1 | 30" SHELF 3/4 |
| STANDARD WALL • 24" HIGH | | | | | | |
| W1224 | 1 | DR1224 | DR1224 SD | DGI-1224 | 1 | 12" SHELF 3/4 |
| W1524 | 1 | DR1524 | DR1524 SD | DGI-1524 | 1 | 15" SHELF 3/4 |
| W1824 | 1 | DR1824 | DR1824 SD | DGI-1824 | 1 | 18" SHELF 3/4 |
| W2124 | 1 | DR2124 | DR2124 SD | DGI-2124 | 1 | 21" SHELF 3/4 |
| W2424 BUTT | 2 | DR1224 BUTT | DR1224 BUTT SD | DGI-1224 BUTT | 1 | 24" SHELF 3/4 |
| W2724 BUTT | 2 | DR1324 BUTT | DR1324 BUTT SD | DGI-1324 BUTT | 1 | 27" SHELF 3/4 |
| W3024 BUTT | 2 | DR1524 BUTT | DR1524 BUTT SD | DGI-1524 BUTT | 1 | 30" SHELF 3/4 |
| W3324 BUTT | 2 | DR1624 BUTT | DR1624 BUTT SD | DGI-1624 BUTT | 1 | 33" SHELF 3/4 |
| W3624 BUTT | 2 | DR1824 BUTT | DR1824 BUTT SD | DGI-1824 BUTT | 1 | 36" SHELF 3/4 |
| W3924 | 2 | DR1924 | DR1924 SD | DGI-1924 | 1 | 39" SHELF 3/4 |
| W4224 | 2 | DR2124 | DR2124 SD | DGI-2124 | 1 | 42" SHELF 3/4 |
| W4524 | 3 | DR1524 | DR1524 SD | DGI-1524 | 1 | 45" SHELF 3/4 |
| STANDARD WALL • 21" HIGH | | | | | | |
| W3021 BUTT | 2 | DR1521 BUTT | DR1521 BUTT SD | DGI-1521 BUTT | - | - |
| W3321 BUTT | 2 | DR1621 BUTT | DR1621 BUTT SD | DGI-1621 BUTT | - | - |
| W3621 BUTT | 2 | DR1821 BUTT | DR1821 BUTT SD | DGI-1821 BUTT | - | - |
| W3921 | 2 | DR1921 | DR1921 SD | DGI-1921 | - | - |
| STANDARD WALL • 18" HIGH | | | | | | |
| W1218 | 1 | DR1218 | DR1218 SD | DGI-1218 | - | - |
| W1518 | 1 | DR1518 | DR1518 SD | DGI-1518 | - | - |
| W1818 | 1 | DR1818 | DR1818 SD | DGI-1818 | - | - |
| W2118 | 1 | DR2118 | DR2118 SD | DGI-2118 | - | - |
| W2418 BUTT | 2 | DR1218 BUTT | DR1218 BUTT SD | DGI-1218 BUTT | - | - |
| W2718 BUTT | 2 | DR1318 BUTT | DR1318 BUTT SD | DGI-1318 BUTT | - | - |
| W3018 BUTT | 2 | DR1518 BUTT | DR1518 BUTT SD | DGI-1518 BUTT | - | - |
| W3318 BUTT | 2 | DR1618 BUTT | DR1618 BUTT SD | DGI-1618 BUTT | - | - |
| W3618 BUTT | 2 | DR1818 BUTT | DR1818 BUTT SD | DGI-1818 BUTT | - | - |
| W3918 | 2 | DR1918 | DR1918 SD | DGI-1918 | - | - |
| W4218 | 2 | DR2118 | DR2118 SD | DGI-2118 | - | - |
| STANDARD WALL • 15" HIGH | | | | | | |
| W3015 BUTT | 2 | DR1515 BUTT | DR1515 BUTT SD | DGI-1515 BUTT | - | - |
| W3315 BUTT | 2 | DR1615 BUTT | DR1615 BUTT SD | DGI-1615 BUTT | - | - |
| W3615 BUTT | 2 | DR1815 BUTT | DR1815 BUTT SD | DGI-1815 BUTT | - | - |
| W3915 | 2 | DR1915 | DR1915 SD | DGI-1915 | - | - |
| STANDARD WALL • 12" HIGH | | | | | | |
| W3012 BUTT | 2 | DR1512 BUTT | DR1512 BUTT SD | DGI-1512 BUTT | - | - |
| W3312 BUTT | 2 | DR1612 BUTT | DR1612 BUTT SD | DGI-1612 BUTT | - | - |
| W3612 BUTT | 2 | DR1812 BUTT | DR1812 BUTT SD | DGI-1812 BUTT | - | - |
| W3912 | 2 | DR1912 | DR1912 SD | DGI-1912 | - | - |
| PENINSULA WALL • 42" HIGH | | | | | | |
| PW2442 BUTT | 4 | DR1242 BUTT | DR1242 BUTT SD | DGI-1242 BUTT | 3 | 24" SHELF PW 3/4 |
| PW3042 BUTT | 4 | DR1542 BUTT | DR1542 BUTT SD | DGI-1542 BUTT | 3 | 30" SHELF PW 3/4 |
| PW3642 BUTT | 4 | DR1842 BUTT | DR1842 BUTT SD | DGI-1842 BUTT | 3 | 36" SHELF PW 3/4 |
| PENINSULA WALL • 39" HIGH | | | | | | |
| PW2439 BUTT | 4 | DR1239 BUTT | DR1239 BUTT SD | DGI-1239 BUTT | 3 | 24" SHELF PW 3/4 |
| PW3039 BUTT | 4 | DR1539 BUTT | DR1539 BUTT SD | DGI-1539 BUTT | 3 | 30" SHELF PW 3/4 |
| PW3639 BUTT | 4 | DR1839 BUTT | DR1839 BUTT SD | DGI-1839 BUTT | 3 | 36" SHELF PW 3/4 |

P5 PARTS DIRECTORY: Wall Cabinets

PARTS: WALL CABINETS

| SKU | Qty | DOOR | SPECIALTY DOOR | DECORATIVE GLASS | Qty | ADJUSTABLE SHELF |
|---|-----|-------------|--|------------------|-----|--|
| | | | *Specialty doors require a specialty door selection. | | | *For All Plywood Construction or Matching Interior Adjustable Shelf, refer to Parts Directory legend |
| | | Part Name | *Part Name | Part Name | | *Part Name |
| PENINSULA WALL - 36" HIGH | | | | | | |
| PW2436 BUTT | 4 | DR1236 BUTT | DR1236 BUTT SD | DGI-1236 BUTT | 2 | 24" SHELF PW 3/4 |
| PW3036 BUTT | 4 | DR1536 BUTT | DR1536 BUTT SD | DGI-1536 BUTT | 2 | 30" SHELF PW 3/4 |
| PW3636 BUTT | 4 | DR1836 BUTT | DR1836 BUTT SD | DGI-1836 BUTT | 2 | 36" SHELF PW 3/4 |
| PENINSULA WALL - 30" HIGH | | | | | | |
| PW1230 | 2 | DR1230 | DR1230 SD | DGI-1230 | 2 | 12" SHELF PW 3/4 |
| PW1530 | 2 | DR1530 | DR1530 SD | DGI-1530 | 2 | 15" SHELF PW 3/4 |
| PW1830 | 2 | DR1830 | DR1830 SD | DGI-1830 | 2 | 18" SHELF PW 3/4 |
| PW2430 | 2 | DR2430 | - | - | 2 | 24" SHELF PW 3/4 |
| PW2430 BUTT | 4 | DR1230 BUTT | DR1230 BUTT SD | DGI-1230 BUTT | 2 | 24" SHELF PW 3/4 |
| PW3030 BUTT | 4 | DR1530 BUTT | DR1530 BUTT SD | DGI-1530 BUTT | 2 | 30" SHELF PW 3/4 |
| PW3630 BUTT | 4 | DR1830 BUTT | DR1830 BUTT SD | DGI-1830 BUTT | 2 | 36" SHELF PW 3/4 |
| PW4230 | 4 | DR2130 | DR2130 SD | DGI-2130 | 2 | 42" SHELF PW 3/4 |
| PENINSULA WALL - 27" HIGH | | | | | | |
| PW3027 BUTT | 4 | DR1527 BUTT | DR1527 BUTT SD | DGI-1527 BUTT | 1 | 30" SHELF PW 3/4 |
| PENINSULA WALL - 24" HIGH | | | | | | |
| PW1224 | 2 | DR1224 | DR1224 SD | DGI-1224 | 1 | 12" SHELF PW 3/4 |
| PW1824 | 2 | DR1824 | DR1824 SD | DGI-1824 | 1 | 18" SHELF PW 3/4 |
| PW2424 BUTT | 4 | DR1224 BUTT | DR1224 BUTT SD | DGI-1224 BUTT | 1 | 24" SHELF PW 3/4 |
| PW3024 BUTT | 4 | DR1524 BUTT | DR1524 BUTT SD | DGI-1524 BUTT | 1 | 30" SHELF PW 3/4 |
| PW3624 BUTT | 4 | DR1824 BUTT | DR1824 BUTT SD | DGI-1824 BUTT | 1 | 36" SHELF PW 3/4 |
| PW4224 | 4 | DR2124 | DR2124 SD | DGI-2124 | 1 | 42" SHELF PW 3/4 |
| PENINSULA WALL - 21" HIGH | | | | | | |
| PW3021 BUTT | 4 | DR1521 BUTT | DR1521 BUTT SD | DGI-1521 BUTT | - | - |
| PW3621 BUTT | 4 | DR1821 BUTT | DR1821 BUTT SD | DGI-1821 BUTT | - | - |
| PENINSULA WALL - 18" HIGH | | | | | | |
| PW1818 | 2 | DR1818 | DR1818 SD | DGI-1818 | - | - |
| PW2418 BUTT | 4 | DR1218 BUTT | DR1218 BUTT SD | DGI-1218 BUTT | - | - |
| PW3018 BUTT | 4 | DR1518 BUTT | DR1518 BUTT SD | DGI-1518 BUTT | - | - |
| PW3618 BUTT | 4 | DR1818 BUTT | DR1818 BUTT SD | DGI-1818 BUTT | - | - |
| PW4218 | 4 | DR2118 | DR2118 SD | DGI-2118 | - | - |
| WALL END ANGLE | | | | | | |
| WEA1230 | 1 | DR1530 | DR1530 SD | DGI-1530 | 2 | WEA SHELF 3/4 |
| WEA1236 | 1 | DR1536 | DR1536 SD | DGI-1536 | 2 | WEA SHELF 3/4 |
| WEA1239 | 1 | DR1539 | DR1539 SD | DGI-1539 | 3 | WEA SHELF 3/4 |
| WEA1242 | 1 | DR1542 | DR1542 SD | DGI-1542 | 3 | WEA SHELF 3/4 |
| WALL TOP HINGE - 15" HIGH | | | | | | |
| WTH3015 | 1 | DR3015 WTH | DR3015 WTH SD | DGI-1530 | - | - |
| WTH3615 | 1 | DR3615 WTH | DR3615 WTH SD | DGI-1536 | - | - |
| WALL TOP HINGE - 18" HIGH | | | | | | |
| WTH3018 | 1 | DR3018 WTH | DR3018 WTH SD | DGI-1830 | - | - |
| WTH3618 | 1 | DR3618 WTH | DR3618 WTH SD | DGI-1836 | - | - |
| WALL TOP HINGE - 15" HIGH X 24" DEEP | | | | | | |
| WTH3015 X 24DP | 1 | DR3015 WTH | DR3015 WTH SD | DGI-1530 | - | - |
| WTH3615 X 24DP | 1 | DR3615 WTH | DR3615 WTH SD | DGI-1536 | - | - |
| WALL TOP HINGE - 18" HIGH X 24" DEEP | | | | | | |
| WTH3018 X 24DP | 1 | DR3018 WTH | DR3018 WTH SD | DGI-1830 | - | - |
| WTH3618 X 24DP | 1 | DR3618 WTH | DR3618 WTH SD | DGI-1836 | - | - |

| SKU | Qty | DOOR | SPECIALTY DOOR | DECORATIVE GLASS | Qty | ADJUSTABLE SHELF |
|------------------------------|-----|-------------|--|------------------|-----|--|
| | | | *Specialty doors require a specialty door selection. | | | *For All Plywood Construction or Matching Interior Adjustable Shelf, refer to Parts Directory legend |
| | | Part Name | *Part Name | Part Name | | *Part Name |
| BLIND WALL • 42" HIGH | | | | | | |
| BLW24/2742 | 1 | DR1242 | DR1242 SD | DGI-1242 | 3 | 24" SHELF 3/4 |
| BLW30/3342 | 1 | DR1842 | DR1842 SD | DGI-1842 | 3 | 30" SHELF 3/4 |
| BLW33/3642 | 1 | DR2142 | DR2142 SD | DGI-2142 | 3 | 33" SHELF 3/4 |
| BLW36/3942 BUTT | 2 | DR1242 BUTT | DR1242 BUTT SD | DGI-1242 BUTT | 3 | 36" SHELF 3/4 |
| BLW39/4242 BUTT | 2 | DR1342 BUTT | DR1342 BUTT SD | DGI-1342 BUTT | 3 | 39" SHELF 3/4 |
| BLW42/4542 BUTT | 2 | DR1542 BUTT | DR1542 BUTT SD | DGI-1542 BUTT | 3 | 42" SHELF 3/4 |
| BLIND WALL • 39" HIGH | | | | | | |
| BLW24/2739 | 1 | DR1239 | DR1239 SD | DGI-1239 | 3 | 24" SHELF 3/4 |
| BLW30/3339 | 1 | DR1839 | DR1839 SD | DGI-1839 | 3 | 30" SHELF 3/4 |
| BLW33/3639 | 1 | DR2139 | DR2139 SD | DGI-2139 | 3 | 33" SHELF 3/4 |
| BLW36/3939 BUTT | 2 | DR1239 BUTT | DR1239 BUTT SD | DGI-1239 BUTT | 3 | 36" SHELF 3/4 |
| BLW39/4239 BUTT | 2 | DR1339 BUTT | DR1339 BUTT SD | DGI-1339 BUTT | 3 | 39" SHELF 3/4 |
| BLW42/4539 BUTT | 2 | DR1539 BUTT | DR1539 BUTT SD | DGI-1539 BUTT | 3 | 42" SHELF 3/4 |
| BLIND WALL • 36" HIGH | | | | | | |
| BLW24/2736 | 1 | DR1236 | DR1236 SD | DGI-1236 | 2 | 24" SHELF 3/4 |
| BLW30/3336 | 1 | DR1836 | DR1836 SD | DGI-1836 | 2 | 30" SHELF 3/4 |
| BLW33/3636 | 1 | DR2136 | DR2136 SD | DGI-2136 | 2 | 33" SHELF 3/4 |
| BLW36/3936 BUTT | 2 | DR1236 BUTT | DR1236 BUTT SD | DGI-1236 BUTT | 2 | 36" SHELF 3/4 |
| BLW39/4236 BUTT | 2 | DR1336 BUTT | DR1336 BUTT SD | DGI-1336 BUTT | 2 | 39" SHELF 3/4 |
| BLW42/4536 BUTT | 2 | DR1536 BUTT | DR1536 BUTT SD | DGI-1536 BUTT | 2 | 42" SHELF 3/4 |
| BLIND WALL • 30" HIGH | | | | | | |
| BLW24/2730 | 1 | DR1230 | DR1230 SD | DGI-1230 | 2 | 24" SHELF 3/4 |
| BLW27/3030 | 1 | DR1530 | DR1530 SD | DGI-1530 | 2 | 27" SHELF 3/4 |
| BLW30/3330 | 1 | DR1830 | DR1830 SD | DGI-1830 | 2 | 30" SHELF 3/4 |
| BLW33/3630 | 1 | DR2130 | DR2130 SD | DGI-2130 | 2 | 33" SHELF 3/4 |
| BLW36/3930 | 1 | DR2430 | - | - | 2 | 36" SHELF 3/4 |
| BLW36/3930 BUTT | 2 | DR1230 BUTT | DR1230 BUTT SD | DGI-1230 BUTT | 2 | 36" SHELF 3/4 |
| BLW39/4230 BUTT | 2 | DR1330 BUTT | DR1330 BUTT SD | DGI-1330 BUTT | 2 | 39" SHELF 3/4 |
| BLW42/4530 BUTT | 2 | DR1530 BUTT | DR1530 BUTT SD | DGI-1530 BUTT | 2 | 42" SHELF 3/4 |
| BLW45/4830 BUTT | 2 | DR1630 BUTT | DR1630 BUTT SD | DGI-1630 BUTT | 2 | 45" SHELF 3/4 |
| BLW48/5130 BUTT | 2 | DR1830 BUTT | DR1830 BUTT SD | DGI-1830 BUTT | 2 | 48" SHELF 3/4 |
| BLIND WALL • 24" HIGH | | | | | | |
| BLW24/2724 | 1 | DR1224 | DR1224 SD | DGI-1224 | 1 | 24" SHELF 3/4 |
| BLW27/3024 | 1 | DR1524 | DR1524 SD | DGI-1524 | 1 | 27" SHELF 3/4 |
| BLW30/3324 | 1 | DR1824 | DR1824 SD | DGI-1824 | 1 | 30" SHELF 3/4 |
| BLW33/3624 | 1 | DR2124 | DR2124 SD | DGI-2124 | 1 | 33" SHELF 3/4 |
| BLW36/3924 BUTT | 2 | DR1224 BUTT | DR1224 BUTT SD | DGI-1224 BUTT | 1 | 36" SHELF 3/4 |
| BLIND PENINSULA WALL | | | | | | |
| BLPW2424 BUTT | 1 | DR1224 | DR1224 SD | DGI-1224 | 1 | 24" SHELF PW 3/4 |
| | 2 | DR1224 BUTT | DR1224 BUTT SD | DGI-1224 BUTT | | |
| BLPW2430 BUTT | 1 | DR1230 | DR1230 SD | DGI-1230 | 2 | 24" SHELF PW 3/4 |
| | 2 | DR1230 BUTT | DR1230 BUTT SD | DGI-1230 BUTT | | |
| BLPW2436 BUTT | 1 | DR1236 | DR1236 SD | DGI-1236 | 2 | 24" SHELF PW 3/4 |
| | 2 | DR1236 BUTT | DR1236 BUTT SD | DGI-1236 BUTT | | |
| BLPW2439 BUTT | 1 | DR1239 | DR1239 SD | DGI-1239 | 3 | 24" SHELF PW 3/4 |
| | 2 | DR1239 BUTT | DR1239 BUTT SD | DGI-1239 BUTT | | |
| BLPW2442 BUTT | 1 | DR1242 | DR1242 SD | DGI-1242 | 3 | 24" SHELF PW 3/4 |
| | 2 | DR1242 BUTT | DR1242 BUTT SD | DGI-1242 BUTT | | |

P7 PARTS DIRECTORY: Wall Cabinets

PARTS: WALL CABINETS

| SKU | Qty | DOOR | SPECIALTY DOOR | DECORATIVE GLASS | Qty | ADJUSTABLE SHELF |
|---|-----|-------------|--|------------------|-----|--|
| | | | *Specialty doors require a specialty door selection. | | | *For All Plywood Construction or Matching Interior Adjustable Shelf, refer to Parts Directory legend |
| | | Part Name | *Part Name | Part Name | | *Part Name |
| CORNER WALL CABINET WITH APPLIANCE GARAGE - 48" HIGH | | | | | | |
| CWD2448 | 1 | DR1530 | DR1530 SD | DGI-1530 | 2 | CW SHELF ADJ 3/4 |
| | 1 | DR1518 | | | | |
| CWDS2448 | 1 | DR1530 | DR1530 SD | DGI-1530 | 2 | CWS UNIT RAS |
| | 1 | DR1518 | | | | |
| CWDS2448 WD | 1 | DR1530 | DR1530 SD | DGI-1530 | 2 | CWS24 SHELF WD NP |
| | 1 | DR1518 | | | | |
| CORNER WALL - 42" HIGH | | | | | | |
| CW2442 | 1 | DR1542 | DR1542 SD | DGI-1542 | 3 | CW SHELF ADJ 3/4 |
| CW2742 | 1 | DR1542 | DR1542 SD | DGI-1542 | 3 | CW27 SHELF ADJ 3/4 |
| CWS2442 WD | 1 | DR1542 | DR1542 SD | DGI-1542 | 3 | CWS24 SHELF WD NP |
| CORNER WALL - 39" HIGH | | | | | | |
| CW2439 | 1 | DR1539 | DR1539 SD | DGI-1539 | 3 | CW SHELF ADJ 3/4 |
| CW2739 | 1 | DR1539 | DR1539 SD | DGI-1539 | 3 | CW27 SHELF ADJ 3/4 |
| CWS2439 WD | 1 | DR1539 | DR1539 SD | DGI-1539 | 3 | CWS24 SHELF WD NP |
| CORNER WALL - 36" HIGH | | | | | | |
| CW2436 | 1 | DR1536 | DR1536 SD | DGI-1536 | 2 | CW SHELF ADJ 3/4 |
| CW2736 | 1 | DR1536 | DR1536 SD | DGI-1536 | 2 | CW27 SHELF ADJ 3/4 |
| CWS2436 WD | 1 | DR1536 | DR1536 SD | DGI-1536 | 2 | CWS24 SHELF WD NP |
| CORNER WALL - 30" HIGH | | | | | | |
| CW2430 | 1 | DR1530 | DR1530 SD | DGI-1530 | 2 | CW SHELF ADJ 3/4 |
| CW2730 | 1 | DR1530 | DR1530 SD | DGI-1530 | 2 | CW27 SHELF ADJ 3/4 |
| CWS2430 | 1 | DR1530 | DR1530 SD | DGI-1530 | 1 | CWS UNIT RAS |
| CWS2430 WD | 1 | DR1530 | DR1530 SD | DGI-1530 | 2 | CWS24 SHELF WD NP |
| CORNER WALL - 24" HIGH | | | | | | |
| CW2424 | 1 | DR1524 | DR1524 SD | DGI-1524 | - | - |
| CW2724 | 1 | DR1524 | DR1524 SD | DGI-1524 | - | - |
| CORNER WALL - 18" HIGH | | | | | | |
| CW2418 | 1 | DR1518 | DR1518 SD | DGI-1518 | - | - |
| CW2718 | 1 | DR1518 | DR1518 SD | DGI-1518 | - | - |
| PENINSULA CORNER WALL | | | | | | |
| PWCW2430 BUTT | 1 | DR1530 | DR1530 SD | DGI-1530 | 2 | PWCW SHELF 3/4 |
| | 2 | DR1230 BUTT | DR1230 BUTT SD | DGI-1230 BUTT | | |
| PWCW2436 BUTT | 1 | DR1536 | DR1536 SD | DGI-1536 | 2 | PWCW SHELF 3/4 |
| | 2 | DR1236 BUTT | DR1236 BUTT SD | DGI-1236 BUTT | | |
| PWCW2439 BUTT | 1 | DR1539 | DR1539 SD | DGI-1539 | 3 | PWCW SHELF 3/4 |
| | 2 | DR1239 BUTT | DR1239 BUTT SD | DGI-1239 BUTT | | |
| PWCW2442 BUTT | 1 | DR1542 | DR1542 SD | DGI-1542 | 3 | PWCW SHELF 3/4 |
| | 2 | DR1242 BUTT | DR1242 BUTT SD | DGI-1242 BUTT | | |
| REFRIGERATOR WALL - 27" HIGH X 24" DEEP | | | | | | |
| W3027 X 24 DP BUTT | 2 | DR1527 BUTT | DR1527 BUTT SD | DGI-1527 BUTT | 1 | 30" SHELF 24DP 3/4 |
| REFRIGERATOR WALL - 24" HIGH X 24" DEEP | | | | | | |
| W3024 X 24 DP BUTT | 2 | DR1524 BUTT | DR1524 BUTT SD | DGI-1524 BUTT | 1 | 30" SHELF 24DP 3/4 |
| W3324 X 24 DP BUTT | 2 | DR1624 BUTT | DR1624 BUTT SD | DGI-1624 BUTT | 1 | 33" SHELF 24DP 3/4 |
| W3624 X 24 DP BUTT | 2 | DR1824 BUTT | DR1824 BUTT SD | DGI-1824 BUTT | 1 | 36" SHELF 24DP 3/4 |
| W3924 X 24 DP | 2 | DR1924 | DR1924 SD | DGI-1924 | 1 | 39" SHELF 24DP 3/4 |
| REFRIGERATOR WALL - 21" HIGH X 24" DEEP | | | | | | |
| W3021 X 24 DP BUTT | 2 | DR1521 BUTT | DR1521 BUTT SD | DGI-1521 BUTT | - | - |
| W3321 X 24 DP BUTT | 2 | DR1621 BUTT | DR1621 BUTT SD | DGI-1621 BUTT | - | - |
| W3621 X 24 DP BUTT | 2 | DR1821 BUTT | DR1821 BUTT SD | DGI-1821 BUTT | - | - |
| W3921 X 24 DP | 2 | DR1921 | DR1921 SD | DGI-1921 | - | - |

| SKU | Qty | DOOR | SPECIALTY DOOR | DECORATIVE GLASS | Qty | ADJUSTABLE SHELF |
|--|-----|--------------|--|------------------|-----|--|
| | | | *Specialty doors require a specialty door selection. | | | *For All Plywood Construction or Matching Interior Adjustable Shelf, refer to Parts Directory legend |
| | | Part Name | *Part Name | Part Name | | *Part Name |
| REFRIGERATOR WALL - 18" HIGH X 24" DEEP | | | | | | |
| W3018 X 24 DP BUTT | 2 | DR1518 BUTT | DR1518 BUTT SD | DGI-1518 BUTT | - | - |
| W3318 X 24 DP BUTT | 2 | DR1618 BUTT | DR1618 BUTT SD | DGI-1618 BUTT | - | - |
| W3618 X 24 DP BUTT | 2 | DR1818 BUTT | DR1818 BUTT SD | DGI-1818 BUTT | - | - |
| W3918 X 24 DP | 2 | DR1918 | DR1918 SD | DGI-1918 | - | - |
| REFRIGERATOR WALL - 15" HIGH X 24" DEEP | | | | | | |
| W3015 X 24 DP BUTT | 2 | DR1515 BUTT | DR1515 BUTT SD | DGI-1515 BUTT | - | - |
| W3315 X 24 DP BUTT | 2 | DR1615 BUTT | DR1615 BUTT SD | DGI-1615 BUTT | - | - |
| W3615 X 24 DP BUTT | 2 | DR1815 BUTT | DR1815 BUTT SD | DGI-1815 BUTT | - | - |
| W3915 X 24 DP | 2 | DR1915 | DR1915 SD | DGI-1915 | - | - |
| REFRIGERATOR WALL - 12" HIGH X 24" DEEP | | | | | | |
| W3012 X 24 DP BUTT | 2 | DR1512 BUTT | DR1512 BUTT SD | DGI-1512 BUTT | - | - |
| W3312 X 24 DP BUTT | 2 | DR1612 BUTT | DR1612 BUTT SD | DGI-1612 BUTT | - | - |
| W3612 X 24 DP BUTT | 2 | DR1812 BUTT | DR1812 BUTT SD | DGI-1812 BUTT | - | - |
| W3912 X 24 DP | 2 | DR1912 | DR1912 SD | DGI-1912 | - | - |
| W4212 X 24 DP | 2 | DR2112 | - | - | - | - |
| W4812 X 24 DP BUTT | 4 | DR21212 BUTT | - | - | - | - |
| WALL WITH SPICE RACK - 42" HIGH | | | | | | |
| W1542 SR | 1 | DR1542 | - | - | 3 | 15" SHELF 3/4 |
| W1842 SR | 1 | DR1842 | - | - | 3 | 18" SHELF 3/4 |
| W2142 SR | 1 | DR2142 | - | - | 3 | 21" SHELF 3/4 |
| WALL WITH SPICE RACK - 39" HIGH | | | | | | |
| W1539 SR | 1 | DR1539 | - | - | 3 | 15" SHELF 3/4 |
| W1839 SR | 1 | DR1839 | - | - | 3 | 18" SHELF 3/4 |
| W2139 SR | 1 | DR2139 | - | - | 3 | 21" SHELF 3/4 |
| WALL WITH SPICE RACK - 36" HIGH | | | | | | |
| W1536 SR | 1 | DR1536 | - | - | 2 | 15" SHELF 3/4 |
| W1836 SR | 1 | DR1836 | - | - | 2 | 18" SHELF 3/4 |
| W2136 SR | 1 | DR2136 | - | - | 2 | 21" SHELF 3/4 |
| WALL WITH SPICE RACK - 30" HIGH | | | | | | |
| W1530 SR | 1 | DR1530 | - | - | 2 | 15" SHELF 3/4 |
| W1830 SR | 1 | DR1830 | - | - | 2 | 18" SHELF 3/4 |
| W2130 SR | 1 | DR2130 | - | - | 2 | 21" SHELF 3/4 |
| STRAIGHT APPLIANCE GARAGE | | | | | | |
| AGSD24 | 2 | DR1218 BUTT | DR1218 BUTT SD | DGI-1218 BUTT | - | - |
| CORNER APPLIANCE GARAGE | | | | | | |
| AGD2418 | 1 | DR1518 | DR1518 SD | DGI-1518 | - | - |
| AGD2718 | 1 | DR1518 | DR1518 SD | DGI-1518 | - | - |
| MICROWAVE WALL - 42" HIGH | | | | | | |
| WMC301842 BUTT | 2 | DR1521 BUTT | - | - | - | - |
| WMC302142 BUTT | 2 | DR1521 BUTT | - | - | - | - |
| MICROWAVE WALL WITH SHELF - 42" HIGH | | | | | | |
| WMSC271842 BUTT | 2 | DR1324 BUTT | | | 1 | WMSC2718 TOP SHELF |
| MICROWAVE WALL - 39" HIGH | | | | | | |
| WMC271839 BUTT | 2 | DR1318 BUTT | - | - | - | - |
| WMC272139 BUTT | 2 | DR1318 BUTT | - | - | - | - |
| WMC301839 BUTT | 2 | DR1518 BUTT | - | - | - | - |
| WMC302139 BUTT | 2 | DR1518 BUTT | - | - | - | - |
| MICROWAVE WALL - 36" HIGH | | | | | | |
| WMC271836 BUTT | 2 | DR1315 BUTT | - | - | - | - |
| WMC272136 BUTT | 2 | DR1315 BUTT | - | - | - | - |
| WMC301836 BUTT | 2 | DR1515 BUTT | - | - | - | - |
| WMC302136 BUTT | 2 | DR1515 BUTT | - | - | - | - |

P9 PARTS DIRECTORY: Wall Cabinets

PARTS: WALL CABINETS

| SKU | Qty | DOOR | SPECIALTY DOOR | DECORATIVE GLASS | Qty | ADJUSTABLE SHELF |
|---|-----|------------------|--|------------------|-----|--|
| | | | *Specialty doors require a specialty door selection. | | | *For All Plywood Construction or Matching Interior Adjustable Shelf, refer to Parts Directory legend |
| | | Part Name | *Part Name | Part Name | | *Part Name |
| MICROWAVE WALL WITH SHELF - 36" HIGH | | | | | | |
| WMSC271236 BUTT | 2 | DR1315 BUTT | - | - | - | - |
| WMSC271836 BUTT | 2 | DR1315 BUTT | - | - | - | - |
| WMSC301236 BUTT | 2 | DR1515 BUTT | - | - | - | - |
| WALL COMPACT MICROWAVE - 36" HIGH | | | | | | |
| WCMSC241236 BUTT | 2 | DR1218 BUTT | - | - | - | - |
| WCMSC271236 BUTT | 2 | DR1318 BUTT | - | - | - | - |
| WALL RANGE HOOD - 30" HIGH | | | | | | |
| WRH3030 SV | 2 | DR1521 BUTT | - | - | - | - |
| WRH3630 SV | 2 | DR1821 BUTT | - | - | - | - |
| WRH3030 RP | 2 | DR1521 BUTT | - | - | - | - |
| WRH3630 RP | 2 | DR1821 BUTT | - | - | - | - |
| WALL RANGE HOOD - 27" HIGH | | | | | | |
| WRH3027 SV | 2 | DR1518 BUTT | - | - | - | - |
| WRH3627 SV | 2 | DR1818 BUTT | - | - | - | - |
| WRH3027 RP | 2 | DR1518 BUTT | - | - | - | - |
| WRH3627 RP | 2 | DR1818 BUTT | - | - | - | - |
| WALL RANGE HOOD - 24" HIGH | | | | | | |
| WRH3024 SV | 2 | DR1515 BUTT | - | - | - | - |
| WRH3624 SV | 2 | DR1815 BUTT | - | - | - | - |
| WRH3024 RP | 2 | DR1515 BUTT | - | - | - | - |
| WRH3624 RP | 2 | DR1815 BUTT | - | - | - | - |
| WALL EASY REACH | | | | | | |
| WER2430 | 1 | DR1230 WER DRILL | - | - | 2 | WER SHELF 3/4 |
| | 1 | DR1230 WER ND | | | | |
| WER2436 | 1 | DR1236 WER DRILL | - | - | 2 | WER SHELF 3/4 |
| | 1 | DR1236 WER ND | | | | |
| WER2439 | 1 | DR1239 WER DRILL | - | - | 3 | WER SHELF 3/4 |
| | 1 | DR1239 WER ND | | | | |
| WER2442 | 1 | DR1242 WER DRILL | - | - | 3 | WER SHELF 3/4 |
| | 1 | DR1242 WER ND | | | | |

| SKU | Qty | DRAWER FRONT | | DRAWER BODY |
|--|-----|--------------|-----------------|---------------------|
| | | Full Overlay | Partial Overlay | |
| | | Part Name | Part Name | Part Name |
| FURNITURE DRAWERS • 12" DEEP • 6" HIGH | | | | |
| FD121206 | 1 | DDF12 | DDF12 | DRB12 X 9DP DT FD |
| FD151206 | 1 | DDF15 | DDF15 | DRB15 X 9DP DT FD |
| FD181206 | 1 | DDF18 | DDF18 | DRB18 X 9DP DT FD |
| FD211206 | 1 | DDF21 | DDF21 | DRB21 X 9DP DT FD |
| FD241206 | 1 | DDF24 | DDF24 | DRB24 X 9DP DT FD |
| FD271206 | 1 | DDF27 | DDF27 | DRB27 X 9DP DT FD |
| FD301206 | 1 | DDF30 | DDF30 | DRB30 X 9DP DT FD |
| FD331206 | 1 | DDF33 | DDF33 | DRB33 X 9DP DT FD |
| FD361206 | 1 | DDF36 | DDF36 | DRB36 X 9DP DT FD |
| FURNITURE DRAWERS • 24" DEEP • 6" HIGH | | | | |
| FD122406 | 1 | DDF12 | DDF12 | DRB12 X 21DP DT FD |
| FD152406 | 1 | DDF15 | DDF15 | DRB15 X 21DP DT FD |
| FD182406 | 1 | DDF18 | DDF18 | DRB18 X 21DP DT FD |
| FD212406 | 1 | DDF21 | DDF21 | DRB21 X 21DP DT FD |
| FD242406 | 1 | DDF24 | DDF24 | DRB24 X 21DP DT FD |
| FD272406 | 1 | DDF27 | DDF27 | DRB27 X 21DP DT FD |
| FD302406 | 1 | DDF30 | DDF30 | DRB30 X 21DP DT FD |
| FD332406 | 1 | DDF33 | DDF33 | DRB33 X 21DP DT FD |
| FD362406 | 1 | DDF36 | DDF36 | DRB36 X 21DP DT FD |
| FURNITURE DRAWERS • 12" DEEP • 12" HIGH | | | | |
| FD121212 | 1 | DDF12M | DDF12D | DRB12M X 9DP DT FD |
| FD151212 | 1 | DDF15M | DDF15D | DRB15M X 9DP DT FD |
| FD181212 | 1 | DDF18M | DDF18D | DRB18M X 9DP DT FD |
| FD211212 | 1 | DDF21M | DDF21D | DRB21M X 9DP DT FD |
| FD241212 | 1 | DDF24M | DDF24D | DRB24M X 9DP DT FD |
| FD271212 | 1 | DDF27M | DDF27D | DRB27M X 9DP DT FD |
| FD301212 | 1 | DDF30M | DDF30D | DRB30M X 9DP DT FD |
| FD331212 | 1 | DDF33M | DDF33D | DRB33M X 9DP DT FD |
| FD361212 | 1 | DDF36M | DDF36D | DRB36M X 9DP DT FD |
| FURNITURE DRAWERS • 24" DEEP • 12" HIGH | | | | |
| FD122412 | 1 | DDF12M | DDF12D | DRB12M X 21DP DT FD |
| FD152412 | 1 | DDF15M | DDF15D | DRB15M X 21DP DT FD |
| FD182412 | 1 | DDF18M | DDF18D | DRB18M X 21DP DT FD |
| FD212412 | 1 | DDF21M | DDF21D | DRB21M X 21DP DT FD |
| FD242412 | 1 | DDF24M | DDF24D | DRB24M X 21DP DT FD |
| FD272412 | 1 | DDF27M | DDF27D | DRB27M X 21DP DT FD |
| FD302412 | 1 | DDF30M | DDF30D | DRB30M X 21DP DT FD |
| FD332412 | 1 | DDF33M | DDF33D | DRB33M X 21DP DT FD |
| FD362412 | 1 | DDF36M | DDF36D | DRB36M X 21DP DT FD |
| PEDESTAL DRAWERS | | | | |
| PD1217 1DWR | 1 | DDF12M | DDF12D | DRB12M X 21DP DT FD |
| PD1517 1DWR | 1 | DDF15M | DDF15D | DRB15M X 21DP DT FD |
| PD1817 1DWR | 1 | DDF18M | DDF18D | DRB18M X 21DP DT FD |
| PD2117 1DWR | 1 | DDF21M | DDF21D | DRB21M X 21DP DT FD |
| PD2417 1DWR | 1 | DDF24M | DDF24D | DRB24M X 21DP DT FD |
| PD2717 1DWR | 1 | DDF27M | DDF27D | DRB27M X 21DP DT FD |
| PD3017 1DWR | 1 | DDF30M | DDF30D | DRB30M X 21DP DT FD |
| PD3317 1DWR | 1 | DDF33M | DDF33D | DRB33M X 21DP DT FD |
| PD3617 1DWR | 1 | DDF36M | DDF36D | DRB36M X 21DP DT FD |

P11 PARTS DIRECTORY: Base Cabinets

PARTS: BASE CABINETS

| SKU | Qty | DOOR | Qty | ADJUSTABLE SHELF/ACCESSORY | Qty | DRAWER/PANEL FRONT | Qty | DRAWER BODY |
|---|-----|-------------|-----|---|-----|--------------------|-----|--------------------|
| | | Part Name | | *For All Plywood Construction Adjustable Shelf, refer to Parts Directory legend | | Part Name | | Part Name |
| SKU | Qty | Part Name | Qty | *Part Name | Qty | Part Name | Qty | Part Name |
| STANDARD BASE | | | | | | | | |
| B12 | 1 | DR1224 | 1 | 12" SHELF 24DP 3/4 | 1 | DDF12 | 1 | DRB12 X 21DP DT FD |
| B15 | 1 | DRI524 | 1 | 15" SHELF 24DP 3/4 | 1 | DDF15 | 1 | DRB15 X 21DP DT FD |
| B18 | 1 | DR1824 | 1 | 18" SHELF 24DP 3/4 | 1 | DDF18 | 1 | DRB18 X 21DP DT FD |
| B21 | 1 | DR2124 | 1 | 21" SHELF 24DP 3/4 | 1 | DDF21 | 1 | DRB21 X 21DP DT FD |
| B24 | 1 | DR2424 | 1 | 24" SHELF 24DP 3/4 | 1 | DDF24 | 1 | DRB24 X 21DP DT FD |
| B24 BUTT | 2 | DR1224 BUTT | 1 | 24" SHELF 24DP 3/4 | 1 | DDF24 | 1 | DRB24 X 21DP DT FD |
| B27 BUTT | 2 | DR1324 BUTT | 1 | 27" SHELF 24DP 3/4 | 1 | DDF27 | 1 | DRB27 X 21DP DT FD |
| B30 BUTT | 2 | DRI524 BUTT | 1 | 30" SHELF 24DP 3/4 | 1 | DDF30 | 1 | DRB30 X 21DP DT FD |
| B33 BUTT | 2 | DR1624 BUTT | 1 | 33" SHELF 24DP 3/4 | 1 | DDF33 | 1 | DRB33 X 21DP DT FD |
| B36 | 2 | DR1824 | 1 | 36" SHELF 24DP 3/4 | 2 | DDF18 | 2 | DRB18 X 21DP DT FD |
| B36 ITD BUTT | 2 | DR1824 BUTT | 1 | 36" SHELF 24DP 3/4 | 1 | DDF36 | 1 | DRB36 X 21DP DT FD |
| B39 | 2 | DR1924 | 1 | 39" SHELF 24DP 3/4 | 2 | DDF19 | 2 | DRB19 X 21DP DT FD |
| B42 | 2 | DR2124 | 1 | 42" SHELF 24DP 3/4 | 2 | DDF21 | 2 | DRB21 X 21DP DT FD |
| B45 | 3 | DRI524 | 1 | 45" SHELF 24DP 3/4 | 3 | DDF15 | 3 | DRB15 X 21DP DT FD |
| B48 | 2 | DR2424 | 1 | 48" SHELF 24DP 3/4 | 2 | DDF24 | 2 | DRB24 X 21DP DT FD |
| BASE WITH ONE DEEP ROLL OUT TRAY AND ONE ADJUSTABLE SHELF | | | | | | | | |
| B12 FWT | 1 | DR1224 | 1 | 12" SHELF 24DP 3/4 DROT12 | 1 | DDF12 | 1 | DRB12 X 21DP DT FD |
| B15 FWT | 1 | DRI524 | 1 | 15" SHELF 24DP 3/4 DROT15 | 1 | DDF15 | 1 | DRB15 X 21DP DT FD |
| B18 FWT | 1 | DR1824 | 1 | 18" SHELF 24DP 3/4 DROT18 | 1 | DDF18 | 1 | DRB18 X 21DP DT FD |
| B21 FWT | 1 | DR2124 | 1 | 21" SHELF 24DP 3/4 DROT21 | 1 | DDF21 | 1 | DRB21 X 21DP DT FD |
| B24 FWT | 1 | DR2424 | 1 | 24" SHELF 24DP 3/4 DROT24 | 1 | DDF24 | 1 | DRB24 X 21DP DT FD |
| B24 FWT BUTT | 2 | DR1224 BUTT | 1 | 24" SHELF 24DP 3/4 DROT24 | 1 | DDF24 | 1 | DRB24 X 21DP DT FD |
| B27 FWT BUTT | 2 | DR1324 BUTT | 1 | 27" SHELF 24DP 3/4 DROT27 | 1 | DDF27 | 1 | DRB27 X 21DP DT FD |
| B30 FWT BUTT | 2 | DRI524 BUTT | 1 | 30" SHELF 24DP 3/4 DROT30 | 1 | DDF30 | 1 | DRB30 X 21DP DT FD |
| B33 FWT BUTT | 2 | DR1624 BUTT | 1 | 33" SHELF 24DP 3/4 DROT33 | 1 | DDF33 | 1 | DRB33 X 21DP DT FD |
| B36 ITD FWT BUTT | 2 | DR1824 BUTT | 1 | 36" SHELF 24DP 3/4 DROT36 | 1 | DDF36 | 1 | DRB36 X 21DP DT FD |
| BASE WITH TWO DEEP ROLL OUT TRAYS AND ONE ADJUSTABLE SHELF | | | | | | | | |
| B36 2T | 2 | DR1824 | 1 | 36" SHELF 24DP 3/4 DROT18 | 2 | DDF18 | 2 | DRB18 X 21DP DT FD |
| B39 2T | 2 | DR1924 | 1 | 39" SHELF 24DP 3/4 DROT19 | 2 | DDF19 | 2 | DRB19 X 21DP DT FD |
| B42 2T | 2 | DR2124 | 1 | 42" SHELF 24DP 3/4 DROT21 | 2 | DDF21 | 2 | DRB21 X 21DP DT FD |
| B48 2T | 2 | DR2424 | 1 | 48" SHELF 24DP 3/4 DROT24 | 2 | DDF24 | 2 | DRB24 X 21DP DT FD |
| BASE WITH THREE DEEP ROLL OUT TRAYS AND ONE ADJUSTABLE SHELF | | | | | | | | |
| B45 3T | 3 | DRI524 | 1 | 45" SHELF 24DP 3/4 DROT15 | 3 | DDF15 | 3 | DRB15 X 21DP DT FD |

| SKU | Qty | DOOR | Qty | ADJUSTABLE SHELF/ACCESSORY | Qty | DRAWER/PANEL FRONT | Qty | DRAWER BODY |
|--|-----|-------------|-----|----------------------------|-----|--------------------|-----|--------------------|
| | | Part Name | | *Part Name | | Part Name | | Part Name |
| BASE WITH TWO DEEP ROLL OUT TRAYS | | | | | | | | |
| B12 2FWT | 1 | DR1224 | 2 | DR0T12 | 1 | DDF12 | 1 | DRB12 X 21DP DT FD |
| B15 2FWT | 1 | DR1524 | 2 | DR0T15 | 1 | DDF15 | 1 | DRB15 X 21DP DT FD |
| B18 2FWT | 1 | DR1824 | 2 | DR0T18 | 1 | DDF18 | 1 | DRB18 X 21DP DT FD |
| B21 2FWT | 1 | DR2124 | 2 | DR0T21 | 1 | DDF21 | 1 | DRB21 X 21DP DT FD |
| B24 2FWT | 1 | DR2424 | 2 | DR0T24 | 1 | DDF24 | 1 | DRB24 X 21DP DT FD |
| B24 2FWT BUTT | 2 | DR1224 BUTT | 2 | DR0T24 | 1 | DDF24 | 1 | DRB24 X 21DP DT FD |
| B27 2FWT BUTT | 2 | DR1324 BUTT | 2 | DR0T27 | 1 | DDF27 | 1 | DRB27 X 21DP DT FD |
| B30 2FWT BUTT | 2 | DR1524 BUTT | 2 | DR0T30 | 1 | DDF30 | 1 | DRB30 X 21DP DT FD |
| B33 2FWT BUTT | 2 | DR1624 BUTT | 2 | DR0T33 | 1 | DDF33 | 1 | DRB33 X 21DP DT FD |
| B36 1TD 2FWT BUTT | 2 | DR1824 BUTT | 2 | DR0T36 | 1 | DDF36 | 1 | DRB36 X 21DP DT FD |
| BASE WITH FOUR DEEP ROLL OUT TRAYS | | | | | | | | |
| B36 4T | 2 | DR1824 | 4 | DR0T18 | 2 | DDF18 | 2 | DRB18 X 21DP DT FD |
| B39 4T | 2 | DR1924 | 4 | DR0T19 | 2 | DDF19 | 2 | DRB19 X 21DP DT FD |
| B42 4T | 2 | DR2124 | 4 | DR0T21 | 2 | DDF21 | 2 | DRB21 X 21DP DT FD |
| B48 4T | 2 | DR2424 | 4 | DR0T24 | 2 | DDF24 | 2 | DRB24 X 21DP DT FD |
| BASE WITH SIX DEEP ROLL OUT TRAYS | | | | | | | | |
| B45 6T | 3 | DR1524 | 6 | DR0T15 | 3 | DDF15 | 3 | DRB15 X 21DP DT FD |
| BASE POT AND PAN ORGANIZER CABINET | | | | | | | | |
| B24 BPP0 | 1 | DR2424 | 1 | BPP0K24 | 1 | DDF24 | 1 | DRB24 X 21DP DT FD |
| B24 BUTT BPP0 | 2 | DR1224 BUTT | 1 | BPP0K24 | 1 | DDF24 | 1 | DRB24 X 21DP DT FD |
| B27 BUTT BPP0 | 2 | DR1324 BUTT | 1 | BPP0K27 | 1 | DDF27 | 1 | DRB27 X 21DP DT FD |
| B30 BUTT BPP0 | 2 | DR1524 BUTT | 1 | BPP0K30 | 1 | DDF30 | 1 | DRB30 X 21DP DT FD |
| B33 BUTT BPP0 | 2 | DR1624 BUTT | 1 | BPP0K33 | 1 | DDF33 | 1 | DRB33 X 21DP DT FD |
| B36 1TD BUTT BPP0 | 2 | DR1824 BUTT | 1 | BPP0K36 | 1 | DDF36 | 1 | DRB36 X 21DP DT FD |
| BASE WITH DOOR ACCESSORY | | | | | | | | |
| B15 PBDSU | 1 | DR1524 | 1 | 15" SHELF 24DP 3/4 | 1 | DDF15 | 1 | DRB15 X 21DP DT FD |
| B18 PBDSU | 1 | DR1824 | 1 | 18" SHELF 24DP 3/4 | 1 | DDF18 | 1 | DRB18 X 21DP DT FD |
| B18 CBDR | 1 | DR1824 | 1 | 18" SHELF 24DP 3/4 | 1 | DDF18 | 1 | DRB18 X 21DP DT FD |
| BASE WITH ROLL OUT TRAY DIVIDER | | | | | | | | |
| B12 ROTD | 1 | DR1224 | 1 | ROTDK12 | 1 | DDF12 | 1 | DRB12 X 21DP DT FD |
| B15 ROTD | 1 | DR1524 | 1 | ROTDK15 | 1 | DDF15 | 1 | DRB15 X 21DP DT FD |
| BASE WITH BOTTOM MOUNT WASTEBASKET(S) | | | | | | | | |
| BWBB15 | 1 | DR1524 ND | 1 | BWBB15_OL KIT | 1 | DDF15 | 1 | DRB15 X 21DP DT FD |
| BWBB15-2 | 1 | DR1524 ND | 1 | BWBB15-2_OL KIT | 1 | DDF15 | 1 | DRB15 X 21DP DT FD |
| BWBB18-2 | 1 | DR1824 ND | 1 | BWBB18-2_OL KIT | 1 | DDF18 | 1 | DRB18 X 21DP DT FD |
| BWBB21-2 | 1 | DR2124 ND | 1 | BWBB21-2_OL KIT | 1 | DDF21 | 1 | DRB21 X 21DP DT FD |
| PENINSULA BASE | | | | | | | | |
| PB12 | 2 | DR1224 | 1 | 12" SHELF PB 3/4 | 2 | DDF12 | 1 | DRB12 X 21DP DT FD |
| PB18 | 2 | DR1824 | 1 | 18" SHELF PB 3/4 | 2 | DDF18 | 1 | DRB18 X 21DP DT FD |
| PB24 | 2 | DR2424 | 1 | 24" SHELF PB 3/4 | 2 | DDF24 | 1 | DRB24 X 21DP DT FD |
| PB24 BUTT | 4 | DR1224 BUTT | 1 | 24" SHELF PB 3/4 | 2 | DDF24 | 1 | DRB24 X 21DP DT FD |
| PB30 BUTT | 4 | DR1524 BUTT | 1 | 30" SHELF PB 3/4 | 2 | DDF30 | 1 | DRB30 X 21DP DT FD |
| PB36 | 4 | DR1824 | 1 | 36" SHELF PB 3/4 | 2 | DDF18 DDF36 | 2 | DRB18 X 21DP DT FD |
| PB36 1TD BUTT | 4 | DR1824 BUTT | 1 | 36" SHELF PB 3/4 | 2 | DDF36 | 1 | DRB36 X 21DP DT FD |
| PB42 | 4 | DR2124 | 1 | 42" SHELF PB 3/4 | 4 | DDF21 | 2 | DRB21 X 21DP DT FD |

P13 PARTS DIRECTORY: Base Cabinets

PARTS: BASE CABINETS

| SKU | Qty | DOOR | Qty | ADJUSTABLE SHELF/ACCESSORY | Qty | DRAWER/PANEL FRONT | Qty | DRAWER BODY |
|---|-----|-------------|-----|------------------------------|-----|--------------------|-----|--------------------|
| | | Part Name | | *Part Name | | Part Name | | Part Name |
| STANDARD BASE WITH FACTORY INSTALLED CUTLERY DIVIDER | | | | | | | | |
| B15 CD | 1 | DR1524 | 1 | 15" SHELF 24DP 3/4 | 1 | DDF15 | 1 | DRB15 X 21DP DT FD |
| B18 CD | 1 | DR1824 | 1 | 18" SHELF 24DP 3/4 | 1 | DDF18 | 1 | DRB18 X 21DP DT FD |
| B21 CD | 1 | DR2124 | 1 | 21" SHELF 24DP 3/4 | 1 | DDF21 | 1 | DRB21 X 21DP DT FD |
| B24 CD | 1 | DR2424 | 1 | 24" SHELF 24DP 3/4 | 1 | DDF24 | 1 | DRB24 X 21DP DT FD |
| B24 BUTT CD | 2 | DR1224 BUTT | 1 | 24" SHELF 24DP 3/4 | 1 | DDF24 | 1 | DRB24 X 21DP DT FD |
| BASE WITH ONE DEEP ROLL OUT TRAY AND FACTORY INSTALLED CUTLERY DIVIDER | | | | | | | | |
| B15 FWT CD | 1 | DR1524 | 1 | 15" SHELF 24DP 3/4 DROT15 | 1 | DDF15 | 1 | DRB15 X 21DP DT FD |
| B18 FWT CD | 1 | DR1824 | 1 | 18" SHELF 24DP 3/4 DROT18 | 1 | DDF18 | 1 | DRB18 X 21DP DT FD |
| B21 FWT CD | 1 | DR2124 | 1 | 21" SHELF 24DP 3/4 DROT21 | 1 | DDF21 | 1 | DRB21 X 21DP DT FD |
| B24 FWT CD | 1 | DR2424 | 1 | 24" SHELF 24DP 3/4 DROT24 | 1 | DDF24 | 1 | DRB24 X 21DP DT FD |
| B24 FWT BUTT CD | 2 | DR1224 BUTT | 1 | 24" SHELF 24DP 3/4 DROT24 | 1 | DDF24 | 1 | DRB24 X 21DP DT FD |
| BASE WITH TWO DEEP ROLL OUT TRAYS AND FACTORY INSTALLED CUTLERY DIVIDER | | | | | | | | |
| B15 2FWT CD | 1 | DR1524 | 2 | DROT15 | 1 | DDF15 | 1 | DRB15 X 21DP DT FD |
| B18 2FWT CD | 1 | DR1824 | 2 | DROT18 | 1 | DDF18 | 1 | DRB18 X 21DP DT FD |
| B21 2FWT CD | 1 | DR2124 | 2 | DROT21 | 1 | DDF21 | 1 | DRB21 X 21DP DT FD |
| B24 2FWT CD | 1 | DR2424 | 2 | DROT24 | 1 | DDF24 | 1 | DRB24 X 21DP DT FD |
| B24 2FWT BUTT CD | 2 | DR1224 BUTT | 2 | DROT24 | 1 | DDF24 | 1 | DRB24 X 21DP DT FD |
| STANDARD BASE WITH FACTORY INSTALLED SPICE DRAWER INSERT | | | | | | | | |
| B15 SDI | 1 | DR1524 | 1 | 15" SHELF 24DP 3/4 | 1 | DDF15 | 1 | DRB15 X 21DP DT FD |
| B18 SDI | 1 | DR1824 | 1 | 18" SHELF 24DP 3/4 | 1 | DDF18 | 1 | DRB18 X 21DP DT FD |
| B21 SDI | 1 | DR2124 | 1 | 21" SHELF 24DP 3/4 | 1 | DDF21 | 1 | DRB21 X 21DP DT FD |
| B24 SDI | 1 | DR2424 | 1 | 24" SHELF 24DP 3/4 | 1 | DDF24 | 1 | DRB24 X 21DP DT FD |
| B24 BUTT SDI | 2 | DR1224 BUTT | 1 | 24" SHELF 24DP 3/4 | 1 | DDF24 | 1 | DRB24 X 21DP DT FD |
| BASE WITH ONE DEEP ROLL OUT TRAY AND FACTORY INSTALLED SPICE DRAWER INSERT | | | | | | | | |
| B15 FWT SDI | 1 | DR1524 | 1 | 15" SHELF 24DP 3/4 DROT15 | 1 | DDF15 | 1 | DRB15 X 21DP DT FD |
| B18 FWT SDI | 1 | DR1824 | 1 | 18" SHELF 24DP 3/4 DROT18 | 1 | DDF18 | 1 | DRB18 X 21DP DT FD |
| B21 FWT SDI | 1 | DR2124 | 1 | 21" SHELF 24DP 3/4 DROT21 | 1 | DDF21 | 1 | DRB21 X 21DP DT FD |
| B24 FWT SDI | 1 | DR2424 | 1 | 24" SHELF 24DP 3/4 DROT24 | 1 | DDF24 | 1 | DRB24 X 21DP DT FD |
| B24 FWT BUTT SDI | 2 | DR1224 BUTT | 1 | 24" SHELF 24DP 3/4 DROT24 | 1 | DDF24 | 1 | DRB24 X 21DP DT FD |

| SKU | Qty | DOOR | Qty | ADJUSTABLE SHELF/ACCESSORY | Qty | DRAWER/PANEL FRONT | Qty | DRAWER BODY |
|--|-----|-------------|-----|------------------------------|-----|--------------------|-----|--------------------|
| | | Part Name | | *Part Name | | Part Name | | Part Name |
| BASE WITH TWO DEEP ROLL OUT TRAYS AND FACTORY INSTALLED SPICE DRAWER INSERT | | | | | | | | |
| B15 2FWT SDI | 1 | DR1524 | 2 | DR0T15 | 1 | DDF15 | 1 | DRB15 X 21DP DT FD |
| B18 2FWT SDI | 1 | DR1824 | 2 | DR0T18 | 1 | DDF18 | 1 | DRB18 X 21DP DT FD |
| B21 2FWT SDI | 1 | DR2124 | 2 | DR0T21 | 1 | DDF21 | 1 | DRB21 X 21DP DT FD |
| B24 2FWT SDI | 1 | DR2424 | 2 | DR0T24 | 1 | DDF24 | 1 | DRB24 X 21DP DT FD |
| B24 2FWT BUTT SDI | 2 | DR1224 BUTT | 2 | DR0T24 | 1 | DDF24 | 1 | DRB24 X 21DP DT FD |
| STANDARD BASE WITH FACTORY INSTALLED WOOD TIERED CUTLERY DIVIDER | | | | | | | | |
| B15 WTCD | 1 | DR1524 | 1 | 15" SHELF 24DP 3/4 | 1 | DDF15 | 1 | WTCDFD15 |
| B18 WTCD | 1 | DR1824 | 1 | 18" SHELF 24DP 3/4 | 1 | DDF18 | 1 | WTCDFD18 |
| B21 WTCD | 1 | DR2124 | 1 | 21" SHELF 24DP 3/4 | 1 | DDF21 | 1 | WTCDFD21 |
| B24 WTCD | 1 | DR2424 | 1 | 24" SHELF 24DP 3/4 | 1 | DDF24 | 1 | WTCDFD24 |
| B24 BUTT WTCD | 2 | DR1224 BUTT | 1 | 24" SHELF 24DP 3/4 | 1 | DDF24 | 1 | WTCDFD24 |
| BASE WITH ONE DEEP ROLL OUT TRAY AND FACTORY INSTALLED WOOD TIERED CUTLERY DIVIDER | | | | | | | | |
| B15 FWT WTCD | 1 | DR1524 | 1 | 15" SHELF 24DP 3/4 DR0T15 | 1 | DDF15 | 1 | WTCDFD15 |
| B18 FWT WTCD | 1 | DR1824 | 1 | 18" SHELF 24DP 3/4 DR0T18 | 1 | DDF18 | 1 | WTCDFD18 |
| B21 FWT WTCD | 1 | DR2124 | 1 | 21" SHELF 24DP 3/4 DR0T21 | 1 | DDF21 | 1 | WTCDFD21 |
| B24 FWT WTCD | 1 | DR2424 | 1 | 24" SHELF 24DP 3/4 DR0T24 | 1 | DDF24 | 1 | WTCDFD24 |
| B24 FWT BUTT WTCD | 2 | DR1224 BUTT | 1 | 24" SHELF 24DP 3/4 DR0T24 | 1 | DDF24 | 1 | WTCDFD24 |
| BASE WITH TWO DEEP ROLL OUT TRAYS AND FACTORY INSTALLED WOOD TIERED CUTLERY DIVIDER | | | | | | | | |
| B15 2FWT WTCD | 1 | DR1524 | 2 | DR0T15 | 1 | DDF15 | 1 | WTCDFD15 |
| B18 2FWT WTCD | 1 | DR1824 | 2 | DR0T18 | 1 | DDF18 | 1 | WTCDFD18 |
| B21 2FWT WTCD | 1 | DR2124 | 2 | DR0T21 | 1 | DDF21 | 1 | WTCDFD21 |
| B24 2FWT WTCD | 1 | DR2424 | 2 | DR0T24 | 1 | DDF24 | 1 | WTCDFD24 |
| B24 2FWT BUTT WTCD | 2 | DR1224 BUTT | 2 | DR0T24 | 1 | DDF24 | 1 | WTCDFD24 |
| BLIND CORNER | | | | | | | | |
| BLB36/39 | 1 | DR1224 | 1 | 27" SHELF 24DP 3/4 | 1 | DDF12 | 1 | DRB12 X 21DP DT FD |
| BLB39/42 | 1 | DR1524 | 1 | 33" SHELF 24DP 3/4 | 1 | DDF15 | 1 | DRB15 X 21DP DT FD |
| BLB42/45 | 1 | DR1824 | 1 | 39" SHELF 24DP 3/4 | 1 | DDF18 | 1 | DRB18 X 21DP DT FD |
| BLB45/48 | 1 | DR2124 | 1 | 45" SHELF 24DP 3/4 | 1 | DDF21 | 1 | DRB21 X 21DP DT FD |
| BLB48/51 | 1 | DR2124 | 1 | 48" SHELF 24DP 3/4 | 1 | DDF21 | 1 | DRB21 X 21DP DT FD |
| BLIND PENINSULA CORNER | | | | | | | | |
| PBC24 | 1 | DR2424 | 1 | 24" SHELF PB 3/4 | 1 | DDF24 | 1 | DRB24 X 21DP DT FD |
| PBC24 BUTT | 2 | DR1224 BUTT | 1 | 24" SHELF PB 3/4 | 1 | DDF24 | 1 | DRB24 X 21DP DT FD |

P15 PARTS DIRECTORY: Drawer Base Cabinets

PARTS: BASE CABINETS

| SKU | Qty | DRAWER FRONT | | DRAWER BODY |
|--|-----|--------------|-----------------|---------------------|
| | | Full Overlay | Partial Overlay | |
| | | Part Name | Part Name | Part Name |
| TWO DRAWER BASE CABINET | | | | |
| DB30 2DWR | 2 | DDF30 2DB | DDF30 2DB | DRB30 HD X 21DPDTFD |
| DB36 2DWR | 2 | DDF36 2DB | DDF36 2DB | DRB36 HD X 21DPDTFD |
| TWO DRAWER BASE CABINET WITH PEG DISH ORGANIZER | | | | |
| DB30 2DWR PDO | 2 | DDF30 2DB | DDF30 2DB | DRB30 HD X 21DPDTFD |
| DB36 2DWR PDO | 2 | DDF36 2DB | DDF36 2DB | DRB36 HD X 21DPDTFD |
| TWO DRAWER BASE CABINET WITH SCALLOPED FULL WIDTH TRAY | | | | |
| DB30 2DWR SFWT | 2 | DDF30 2DB | DDF30 2DB | DRB30 HD X 21DPDTFD |
| | 1 | | | SDROT30 |
| DB36 2DWR SFWT | 2 | DDF36 2DB | DDF36 2DB | DRB36 HD X 21DPDTFD |
| | 1 | | | SDROT36 |
| TWO DRAWER BASE CABINET WITH PEG DISH ORGANIZER & SCALLOPED FULL WIDTH TRAY | | | | |
| B30 2DWR SFWT PDO | 2 | DDF30 2DB | DDF30 2DB | DRB30 HD X 21DPDTFD |
| | 1 | | | SDROT30 |
| DB36 2DWR SFWT PDO | 2 | DDF36 2DB | DDF36 2DB | DRB36 HD X 21DPDTFD |
| | 1 | | | SDROT36 |
| THREE DRAWER BASE CABINET | | | | |
| DB12 | 1 | DDF12 | DDF12 | DRB12 X 21DP DT FD |
| | 2 | DDF12M | DDF12D | DRB12M X 21DP DT FD |
| DB15 | 1 | DDF15 | DDF15 | DRB15 X 21DP DT FD |
| | 2 | DDF15M | DDF15D | DRB15M X 21DP DT FD |
| DB18 | 1 | DDF18 | DDF18 | DRB18 X 21DP DT FD |
| | 2 | DDF18M | DDF18D | DRB18M X 21DP DT FD |
| DB21 | 1 | DDF21 | DDF21 | DRB21 X 21DP DT FD |
| | 2 | DDF21M | DDF21D | DRB21M X 21DP DT FD |
| DB24 | 1 | DDF24 | DDF24 | DRB24 X 21DP DT FD |
| | 2 | DDF24M | DDF24D | DRB24M X 21DP DT FD |
| DB27 | 1 | DDF27 | DDF27 | DRB27 X 21DP DT FD |
| | 2 | DDF27M | DDF27D | DRB27M X 21DP DT FD |
| DB30 | 1 | DDF30 | DDF30 | DRB30 X 21DP DT FD |
| | 2 | DDF30M | DDF30D | DRB30M X 21DP DT FD |
| DB33 | 1 | DDF33 | DDF33 | DRB33 X 21DP DT FD |
| | 2 | DDF33M | DDF33D | DRB33M X 21DP DT FD |
| DB36 1TD | 1 | DDF36 | DDF36 | DRB36 X 21DP DT FD |
| | 2 | DDF36M | DDF36D | DRB36M X 21DP DT FD |
| THREE DRAWER BASE CABINET WITH FACTORY INSTALLED CUTLERY DIVIDER | | | | |
| DB15 CD | 1 | DDF15 | DDF15 | DRB15 X 21DP DT FD |
| | 2 | DDF15M | DDF15D | DRB15M X 21DP DT FD |
| DB18 CD | 1 | DDF18 | DDF18 | DRB18 X 21DP DT FD |
| | 2 | DDF18M | DDF18D | DRB18M X 21DP DT FD |
| DB21 CD | 1 | DDF21 | DDF21 | DRB21 X 21DP DT FD |
| | 2 | DDF21M | DDF21D | DRB21M X 21DP DT FD |
| DB24 CD | 1 | DDF24 | DDF24 | DRB24 X 21DP DT FD |
| | 2 | DDF24M | DDF24D | DRB24M X 21DP DT FD |

| SKU | Qty | DRAWER FRONT | | DRAWER BODY |
|---|-----|--------------|-----------------|---------------------|
| | | Full Overlay | Partial Overlay | |
| | | Part Name | Part Name | Part Name |
| THREE DRAWER BASE CABINET WITH FACTORY INSTALLED SPICE DRAWER INSERT | | | | |
| DB15 SDI | 1 | DDF15 | DDF15 | DRB15 X 21DP DT FD |
| | 2 | DDF15M | DDF15D | DRB15M X 21DP DT FD |
| DB18 SDI | 1 | DDF18 | DDF18 | DRB18 X 21DP DT FD |
| | 2 | DDF18M | DDF18D | DRB18M X 21DP DT FD |
| DB21 SDI | 1 | DDF21 | DDF21 | DRB21 X 21DP DT FD |
| | 2 | DDF21M | DDF21D | DRB21M X 21DP DT FD |
| DB24 SDI | 1 | DDF24 | DDF24 | DRB24 X 21DP DT FD |
| | 2 | DDF24M | DDF24D | DRB24M X 21DP DT FD |
| THREE DRAWER BASE CABINET WITH FACTORY INSTALLED WOOD TIERED CUTLERY DIVIDER | | | | |
| DB15 WTCD | 1 | DDF15 | DDF15 | WTCDKFD15 |
| | 2 | DDF15M | DDF15D | DRB15M X 21DP DT FD |
| DB18 WTCD | 1 | DDF18 | DDF18 | WTCDKFD18 |
| | 2 | DDF18M | DDF18D | DRB18M X 21DP DT FD |
| DB21 WTCD | 1 | DDF21 | DDF21 | WTCDKFD21 |
| | 2 | DDF21M | DDF21D | DRB21M X 21DP DT FD |
| DB24 WTCD | 1 | DDF24 | DDF24 | WTCDKFD24 |
| | 2 | DDF24M | DDF24D | DRB24M X 21DP DT FD |
| FOUR DRAWER BASE CABINET | | | | |
| DB12 4DWR | 3 | DDF12 | DDF12 | DRB12 X 21DP DT FD |
| | 1 | DDF12M | DDF12D | DRB12M X 21DP DT FD |
| DB15 4DWR | 3 | DDF15 | DDF15 | DRB15 X 21DP DT FD |
| | 1 | DDF15M | DDF15D | DRB15M X 21DP DT FD |
| DB18 4DWR | 3 | DDF18 | DDF18 | DRB18 X 21DP DT FD |
| | 1 | DDF18M | DDF18D | DRB18M X 21DP DT FD |
| DB21 4DWR | 3 | DDF21 | DDF21 | DRB21 X 21DP DT FD |
| | 1 | DDF21M | DDF21D | DRB21M X 21DP DT FD |
| DB24 4DWR | 3 | DDF24 | DDF24 | DRB24 X 21DP DT FD |
| | 1 | DDF24M | DDF24D | DRB24M X 21DP DT FD |
| DB36 | 2 | DDF18 | DDF18 | DRB18 X 21DP DT FD |
| | 2 | DDF36M | DDF36D | DRB36M X 21DP DT FD |
| FOUR DRAWER BASE CABINET WITH FACTORY INSTALLED CUTLERY DIVIDER | | | | |
| DB15 4DWR CD | 3 | DDF15 | DDF15 | DRB15 X 21DP DT FD |
| | 1 | DDF15M | DDF15D | DRB15M X 21DP DT FD |
| DB18 4DWR CD | 3 | DDF18 | DDF18 | DRB18 X 21DP DT FD |
| | 1 | DDF18M | DDF18D | DRB18M X 21DP DT FD |
| DB21 4DWR CD | 3 | DDF21 | DDF21 | DRB21 X 21DP DT FD |
| | 1 | DDF21M | DDF21D | DRB21M X 21DP DT FD |
| DB24 4DWR CD | 3 | DDF24 | DDF24 | DRB24 X 21DP DT FD |
| | 1 | DDF24M | DDF24D | DRB24M X 21DP DT FD |

PARTS: BASE CABINETS

P17 PARTS DIRECTORY: Drawer Base Cabinets

PARTS: BASE CABINETS

| SKU | Qty | DRAWER FRONT | | DRAWER BODY |
|--|-----|--------------|-----------------|---------------------|
| | | Full Overlay | Partial Overlay | |
| | | Part Name | Part Name | Part Name |
| FOUR DRAWER BASE CABINET WITH FACTORY INSTALLED SPICE DRAWER INSERT | | | | |
| DB15 4DWR SDI | 3 | DDF15 | DDF15 | DRB15 X 21DP DT FD |
| | 1 | DDF15M | DDF15D | DRB15M X 21DP DT FD |
| DB18 4DWR SDI | 3 | DDF18 | DDF18 | DRB18 X 21DP DT FD |
| | 1 | DDF18M | DDF18D | DRB18M X 21DP DT FD |
| DB21 4DWR SDI | 3 | DDF21 | DDF21 | DRB21 X 21DP DT FD |
| | 1 | DDF21M | DDF21D | DRB21M X 21DP DT FD |
| DB24 4DWR SDI | 3 | DDF24 | DDF24 | DRB24 X 21DP DT FD |
| | 1 | DDF24M | DDF24D | DRB24M X 21DP DT FD |
| FOUR DRAWER BASE CABINET WITH FACTORY INSTALLED WOOD TIERED CUTLERY DIVIDER | | | | |
| DB15 4DWR WTCD | 1 | DDF15 | DDF15 | WTCDKFD15 |
| | 2 | DDF15 | DDF15 | DRB15 X 21DP DT FD |
| | 1 | DDF15M | DDF15D | DRB15M X 21DP DT FD |
| DB18 4DWR WTCD | 1 | DDF18 | DDF18 | WTCDKFD18 |
| | 2 | DDF18 | DDF18 | DRB18 X 21DP DT FD |
| | 1 | DDF18M | DDF18D | DRB18M X 21DP DT FD |
| DB21 4DWR WTCD | 1 | DDF21 | DDF21 | WTCDKFD21 |
| | 2 | DDF21 | DDF21 | DRB21 X 21DP DT FD |
| | 1 | DDF21M | DDF21D | DRB21M X 21DP DT FD |
| DB24 4DWR WTCD | 1 | DDF24 | DDF24 | WTCDKFD24 |
| | 2 | DDF24 | DDF24 | DRB24 X 21DP DT FD |
| | 1 | DDF24M | DDF24D | DRB24M X 21DP DT FD |
| BASE MICROWAVE CABINET | | | | |
| BMC24 | 2 | DDF24 | DDF24 | DRB24 X 21DP DT FD |
| BMC27 | 2 | DDF27 | DDF27 | DRB27 X 21DP DT FD |
| BMC30 | 2 | DDF30 | DDF30 | DRB30 X 21DP DT FD |
| BASE SPICE DRAWER CABINET | | | | |
| BSDC6 | 5 | DDF SDC | DDF SDC | DRB6 BSDC6 |
| WALL SPICE DRAWER CABINET | | | | |
| SDC18 | 3 | DDF SDC | DDF SDC | DRB6 SDC30 |
| SDC24 | 4 | DDF SDC | DDF SDC | DRB6 SDC30 |
| SDC30 | 5 | DDF SDC | DDF SDC | DRB6 SDC30 |
| SDC36 | 6 | DDF SDC | DDF SDC | DRB6 SDC30 |

| SKU | Qty | DOOR | | Qty | ADJUSTABLE SHELF, DROT AND/OR ACCESSORY |
|--|-----|--------------|-----------------|-----|---|
| | | Full Overlay | Partial Overlay | | *For All Plywood Construction Adjustable Shelf, refer to Parts Directory legend |
| | | Part Name | Part Name | | *Part Name |
| FULL-HEIGHT BASE | | | | | |
| TB9 | 1 | DR9FH | DR930 | - | - |
| B12 FH | 1 | DR12FH | DR1230 | 1 | 12" SHELF 24DP 3/4 |
| B15 FH | 1 | DR15FH | DR1530 | 1 | 15" SHELF 24DP 3/4 |
| B18 FH | 1 | DR18FH | DR1830 | 1 | 18" SHELF 24DP 3/4 |
| B21 FH | 1 | DR21FH | DR2130 | 1 | 21" SHELF 24DP 3/4 |
| B24 FH | 1 | DR24FH | DR2430 | 1 | 24" SHELF 24DP 3/4 |
| B24 BUTT FH | 2 | DR12BUTT FH | DR1230 BUTT | 1 | 24" SHELF 24DP 3/4 |
| B27 BUTT FH | 2 | DR13BUTT FH | DR1330 BUTT | 1 | 27" SHELF 24DP 3/4 |
| B30 BUTT FH | 2 | DR15BUTT FH | DR1530 BUTT | 1 | 30" SHELF 24DP 3/4 |
| B33 BUTT FH | 2 | DR16BUTT FH | DR1630 BUTT | 1 | 33" SHELF 24DP 3/4 |
| B36 BUTT FH | 2 | DR18BUTT FH | DR1830 BUTT | 1 | 36" SHELF 24DP 3/4 |
| FULL-HEIGHT BASE WITH ACCESSORY | | | | | |
| TB9 TDS | 1 | DR9FH | DR930 | 1 | 9" SHELF 24 DP 3/4 |
| BTDP9 | 1 | DR9FH ND | DR930 ND | 1 | BTDP9 KIT |
| BPP9 | 1 | DR9FH ND | DR930 ND | 1 | BPP9 KIT |
| BPP12 | 1 | DR12FH ND | DR1230 ND | 1 | BPP12 KIT |
| BPPUS9 | 1 | DR9FH ND | DR930 ND | 1 | BPPUS9 KIT |
| BPPUS12 | 1 | DR12FH ND | DR1230 ND | 1 | BPPUS12 KIT |
| FULL-HEIGHT BASE WITH TWO DEEP ROLL OUT TRAYS | | | | | |
| B12 FH 2FWT | 1 | DR12FH | DR1230 | 2 | DROT12 |
| B15 FH 2FWT | 1 | DR15FH | DR1530 | 2 | DROT15 |
| B18 FH 2FWT | 1 | DR18FH | DR1830 | 2 | DROT18 |
| B21 FH 2FWT | 1 | DR21FH | DR2130 | 2 | DROT21 |
| B24 FH 2FWT | 1 | DR24FH | DR2430 | 2 | DROT24 |
| B24 BUTT FH 2FWT | 2 | DR12BUTT FH | DR1230 BUTT | 2 | DROT24 |
| B27 BUTT FH 2FWT | 2 | DR13BUTT FH | DR1330 BUTT | 2 | DROT27 |
| B30 BUTT FH 2FWT | 2 | DR15BUTT FH | DR1530 BUTT | 2 | DROT30 |
| B33 BUTT FH 2FWT | 2 | DR16BUTT FH | DR1630 BUTT | 2 | DROT33 |
| B36 BUTT FH 2FWT | 2 | DR18BUTT FH | DR1830 BUTT | 2 | DROT36 |
| FULL-HEIGHT BASE WITH FOUR DEEP ROLL OUT TRAYS | | | | | |
| B12 FH 4FWT | 1 | DR12FH | DR1230 | 4 | DROT12 |
| B15 FH 4FWT | 1 | DR15FH | DR1530 | 4 | DROT15 |
| B18 FH 4FWT | 1 | DR18FH | DR1830 | 4 | DROT18 |
| B21 FH 4FWT | 1 | DR21FH | DR2130 | 4 | DROT21 |
| B24 FH 4FWT | 1 | DR24FH | DR2430 | 4 | DROT24 |
| B24 BUTT FH 4FWT | 2 | DR12BUTT FH | DR1230 BUTT | 4 | DROT24 |
| B27 BUTT FH 4FWT | 2 | DR13BUTT FH | DR1330 BUTT | 4 | DROT27 |
| B30 BUTT FH 4FWT | 2 | DR15BUTT FH | DR1530 BUTT | 4 | DROT30 |
| B33 BUTT FH 4FWT | 2 | DR16BUTT FH | DR1630 BUTT | 4 | DROT33 |
| B36 BUTT FH 4FWT | 2 | DR18BUTT FH | DR1830 BUTT | 4 | DROT36 |
| FULL-HEIGHT BASE WITH BOTTOM MOUNT WASTEBASKET(S) | | | | | |
| BWBB15 FH | 1 | DR15FH ND | DR1530 ND | 1 | BWBB15 FH _OL KIT |
| BWBB18 FH | 1 | DR18FH ND | DR1830 ND | 1 | BWBB18 FH _OL KIT |
| BWBB21-2 FH | 1 | DR21FH ND | DR2130 ND | 1 | BWBB21-2 FH _OL KIT |
| BASE END ANGLE | | | | | |
| BEA12 FH | 1 | DR15FH | DR1530 | 1 | BEA12 SHELF 3/4 |
| BEA24 FH | 2 | DR18FH | DR1830 | 1 | BEA SHELF 3/4 |
| FULL-HEIGHT PENINSULA BASE | | | | | |
| PB12 FH | 2 | DR12FH | DR1230 | 1 | 12" SHELF PB 3/4 |
| PB18 FH | 2 | DR18FH | DR1830 | 1 | 18" SHELF PB 3/4 |
| PB24 BUTT FH | 4 | DR12BUTT FH | DR1230 BUTT | 1 | 24" SHELF PB 3/4 |
| PB30 BUTT FH | 4 | DR15BUTT FH | DR1530 BUTT | 1 | 30" SHELF PB 3/4 |
| PB36 BUTT FH | 4 | DR18BUTT FH | DR1830 BUTT | 1 | 36" SHELF PB 3/4 |

P19 PARTS DIRECTORY: Sink Base Cabinets

PARTS: BASE CABINETS

| SKU | Qty | DOOR | | DRAWER/PANEL FRONT | |
|--|-----|--------------|-----|--------------------|-----|
| | | Part Name | Qty | Part Name | Qty |
| CORNER SINK BASE | | | | | |
| CSB36 | 1 | DR1524 | 1 | DDF15 | |
| CORNER SINK FRONT | | | | | |
| CSF36 | 1 | DR1524 | 1 | DDF15 | |
| CSF42 | 1 | DR2424 | 1 | DDF24 | |
| DEEP SINK BASE | | | | | |
| DSB30 BUTT | 2 | DR1521V BUTT | - | - | |
| DSB33 BUTT | 2 | DR1621V BUTT | - | - | |
| DSB36 BUTT | 2 | DR1821V BUTT | - | - | |
| DSB39 | 2 | DR1921V | - | - | |
| SINK/COOKTOP BASE AND FRONT | | | | | |
| SF12 | 1 | DR1224 | 1 | DDF12 | |
| SF15 | 1 | DR1524 | 1 | DDF15 | |
| SB18 / SF18 | 1 | DR1824 | 1 | DDF18 | |
| SB21 / SF21 | 1 | DR2124 | 1 | DDF21 | |
| SB24 / SF24 | 1 | DR2424 | 1 | DDF24 | |
| SB24 BUTT / SF24 BUTT | 2 | DR1224 BUTT | 1 | DDF24 | |
| SB27 BUTT / SF27 BUTT | 2 | DR1324 BUTT | 1 | DDF27 | |
| SB30 BUTT / SF30 BUTT | 2 | DR1524 BUTT | 1 | DDF30 | |
| SB33 BUTT / SF33 BUTT | 2 | DR1624 BUTT | 1 | DDF33 | |
| SB36 BUTT / SF36 BUTT | 2 | DR1824 BUTT | 1 | DDF36 | |
| SB39 / SF39 | 2 | DR1924 | 2 | DDF19 | |
| SB42 / SF42 | 2 | DR2124 | 2 | DDF21 | |
| SB45 / SF45 | 3 | DR1524 | 3 | DDF15 | |
| SB48 / SF48 | 2 | DR2424 | 2 | DDF24 | |
| SINK BASE WITH FACTORY INSTALLED TILT-OUT TRAY(S) | | | | | |
| SB18 STO (TO) | 1 | DR1824 | 1 | DDF18 DRILL | |
| SB21 STO (TO) | 1 | DR2124 | 1 | DDF21 DRILL | |
| SB24 STO (TO) | 1 | DR2424 | 1 | DDF24 DRILL | |
| SB24 BUTT STO (TO) | 2 | DR1224 BUTT | 1 | DDF24 DRILL | |
| SB27 BUTT STO (TO) | 2 | DR1324 BUTT | 1 | DDF27 DRILL | |
| SB30 BUTT STO (TO) | 2 | DR1524 BUTT | 1 | DDF30 DRILL | |
| SB33 BUTT STO (TO) | 2 | DR1624 BUTT | 1 | DDF33 DRILL | |
| SB36 BUTT STO (TO) | 2 | DR1824 BUTT | 1 | DDF36 DRILL | |
| SB39 STO (TO) | 2 | DR1924 | 2 | DDF19 DRILL | |
| SB42 STO (TO) | 2 | DR2124 | 2 | DDF21 DRILL | |
| SB48 STO (TO) | 2 | DR2424 | 2 | DDF24 DRILL | |
| SINK BASE MULTI-STORAGE CABINET | | | | | |
| SBMS30 BUTT STO | 2 | DR1524 BUTT | 1 | DDF30 DRILL | |
| SBMS36 BUTT STO | 2 | DR1824 BUTT | 1 | DDF36 DRILL | |

| SKU | Qty | DOOR | | ACCESSORY | |
|--------------------|-----|------------------|-----|----------------------|-----|
| | | Part Name | Qty | Part Name | Qty |
| CORNER BASE | | | | | |
| BER33 (L/R) | 1 | DR930 BER DRILL | - | - | - |
| | 1 | DR930 BER ND | - | - | - |
| BER3336L | 1 | DR930 BER DRILL | - | - | - |
| | 1 | DR1230 BER ND | - | - | - |
| BER3336R | 1 | DR930 BER ND | - | - | - |
| | 1 | DR1230 BER DRILL | - | - | - |
| BER36 (L/R) | 1 | DR1230 BER DRILL | - | - | - |
| | 1 | DR1230 BER ND | - | - | - |
| BER3633L | 1 | DR1230 BER DRILL | - | - | - |
| | 1 | DR930 BER ND | - | - | - |
| BER3633R | 1 | DR1230 BER ND | - | - | - |
| | 1 | DR930 BER DRILL | - | - | - |
| BSS33 (L/R) | 1 | DR930 BER DRILL | 1 | BSS33 UNIT RAS | - |
| | 1 | DR930 BER ND | - | - | - |
| BSS33 (L/R) WD | 1 | DR930 BER DRILL | 2 | BSS33 SHELF WD NP | - |
| | 1 | DR930 BER ND | - | - | - |
| BSS3336L | 1 | DR930 BER DRILL | 1 | BSS33 UNIT RAS | - |
| | 1 | DR1230 BER ND | - | - | - |
| BSS3336L WD | 1 | DR930 BER DRILL | 2 | BSS3336 SHELF WD NP | - |
| | 1 | DR1230 BER ND | - | - | - |
| BSS3336R | 1 | DR930 BER ND | 1 | BSS33 UNIT RAS | - |
| | 1 | DR1230 BER DRILL | - | - | - |
| BSS3336R WD | 1 | DR930 BER ND | 2 | BSS3336 SHELF WD NP | - |
| | 1 | DR1230 BER DRILL | - | - | - |
| BSS36 (L/R) | 1 | DR1230 BER DRILL | 1 | BSS36 UNIT RAS | - |
| | 1 | DR1230 BER ND | - | - | - |
| BSS36 (L/R) WD | 1 | DR1230 BER DRILL | 2 | BSS36 SHELF WD NP | - |
| | 1 | DR1230 BER ND | - | - | - |
| BSS3633L | 1 | DR1230 BER DRILL | 1 | BSS33 UNIT RAS | - |
| | 1 | DR930 BER ND | - | - | - |
| BSS3633L WD | 1 | DR1230 BER DRILL | 2 | BSS3633 SHELF WD NP | - |
| | 1 | DR930 BER ND | - | - | - |
| BSS3633R | 1 | DR1230 BER ND | 1 | BSS33 UNIT RAS | - |
| | 1 | DR930 BER DRILL | - | - | - |
| BSS3633R WD | 1 | DR1230 BER ND | 2 | BSS3633 SHELF WD NP | - |
| | 1 | DR930 BER DRILL | - | - | - |
| CAR36 (L/R) | 1 | DR1230 BER DRILL | 1 | CAR36 UNIT RAS | - |
| | 1 | DR1230 BER ND | - | - | - |
| CAR36 (L/R) WD | 1 | DR1230 BER DRILL | 2 | CAR36 SHELF WD | - |
| | 1 | DR1230 BER ND | 1 | BSSCWSCAR T-SHAFT FE | - |
| | | | 1 | WOOD SPIN SHELF HDW | - |
| CBS36 | 1 | DRCBS36 | 1 | CBS36 UNIT RAS | - |
| CBS36 WD | 1 | DRCBS36 | 2 | CBS SHELF WD NP | - |

PARTS: BASE CABINETS

P21 PARTS DIRECTORY: Utility Cabinets

PARTS: TALL CABINETS

| SKU | Qty | DOOR | SPECIALTY DOOR | DECORATIVE GLASS | Qty | ADJUSTABLE SHELF OR DROT |
|--|-----|-------------|---|------------------|-----|---|
| | | | Specialty doors require a specialty door selection. | | | *For All Plywood Construction or Matching Interior Adjustable Shelf, upgrade through construction options |
| | | Part Name | Part Name | Part Name | | *Part Name |
| UTILITY WITH ADJUSTABLE SHELVES - 12" DEEP X 84" HIGH | | | | | | |
| UT1212 X 84 AS | 1 | DR1230 | DR1230 SD | DGI-1230 | 5 | S1212 |
| | 1 | DR1250 | | | | |
| UT1512 X 84 AS | 1 | DR1530 | DR1530 SD | DGI-1530 | 5 | S1512 |
| | 1 | DR1550 | | | | |
| UT1812 X 84 AS | 1 | DR1830 | DR1830 SD | DGI-1830 | 5 | S1812 |
| | 1 | DR1850 | | | | |
| UT2112 X 84 AS | 1 | DR2130 | DR2130 SD | DGI-2130 | 5 | S2112 |
| | 1 | DR2150 | | | | |
| UT2412 X 84 AS BUTT | 2 | DR1230 BUTT | DR1230 BUTT SD | DGI-1230 BUTT | 5 | S2412 |
| | 2 | DR1250 BUTT | | | | |
| UTILITY WITH ADJUSTABLE SHELVES - 12" DEEP X 90" HIGH | | | | | | |
| UT1212 X 90 AS | 1 | DR1236 | DR1236 SD | DGI-1236 | 6 | S1212 |
| | 1 | DR1250 | | | | |
| UT1512 X 90 AS | 1 | DR1536 | DR1536 SD | DGI-1536 | 6 | S1512 |
| | 1 | DR1550 | | | | |
| UT1812 X 90 AS | 1 | DR1836 | DR1836 SD | DGI-1836 | 6 | S1812 |
| | 1 | DR1850 | | | | |
| UT2112 X 90 AS | 1 | DR2136 | DR2136 SD | DGI-2136 | 6 | S2112 |
| | 1 | DR2150 | | | | |
| UT2412 X 90 AS BUTT | 2 | DR1236 BUTT | DR1236 BUTT SD | DGI-1236 BUTT | 6 | S2412 |
| | 2 | DR1250 BUTT | | | | |
| UTILITY WITH ADJUSTABLE SHELVES - 12" DEEP X 93" HIGH | | | | | | |
| UT1212 X 93 AS | 1 | DR1239 | DR1239 SD | DGI-1239 | 7 | S1212 |
| | 1 | DR1250 | | | | |
| UT1512 X 93 AS | 1 | DR1539 | DR1539 SD | DGI-1539 | 7 | S1512 |
| | 1 | DR1550 | | | | |
| UT1812 X 93 AS | 1 | DR1839 | DR1839 SD | DGI-1839 | 7 | S1812 |
| | 1 | DR1850 | | | | |
| UT2112 X 93 AS | 1 | DR2139 | DR2139 SD | DGI-2139 | 7 | S2112 |
| | 1 | DR2150 | | | | |
| UT2412 X 93 AS BUTT | 2 | DR1239 BUTT | DR1239 BUTT SD | DGI-1239 BUTT | 7 | S2412 |
| | 2 | DR1250 BUTT | | | | |
| UTILITY WITH ADJUSTABLE SHELVES - 12" DEEP X 96" HIGH | | | | | | |
| UT1212 X 96 AS | 1 | DR1242 | DR1242 SD | DGI-1242 | 7 | S1212 |
| | 1 | DR1250 | | | | |
| UT1512 X 96 AS | 1 | DR1542 | DR1542 SD | DGI-1542 | 7 | S1512 |
| | 1 | DR1550 | | | | |
| UT1812 X 96 AS | 1 | DR1842 | DR1842 SD | DGI-1842 | 7 | S1812 |
| | 1 | DR1850 | | | | |
| UT2112 X 96 AS | 1 | DR2142 | DR2142 SD | DGI-2142 | 7 | S2112 |
| | 1 | DR2150 | | | | |
| UT2412 X 96 AS BUTT | 2 | DR1242 BUTT | DR1242 BUTT SD | DGI-1242 BUTT | 7 | S2412 |
| | 2 | DR1250 BUTT | | | | |

| SKU | Qty | DOOR | SPECIALTY DOOR | DECORATIVE GLASS | Qty | ADJUSTABLE SHELF OR DROT |
|--|--------|----------------------------|---|------------------|-----|---|
| | | | Specialty doors require a specialty door selection. | | | *For All Plywood Construction or Matching Interior Adjustable Shelf, upgrade through construction options |
| | | Part Name | Part Name | Part Name | | *Part Name |
| UTILITY WITH ADJUSTABLE SHELVES • 24" DEEP X 84" HIGH | | | | | | |
| UT1224 X 84 AS | 1 1 | DR1230 DR1250 | DR1230 SD | DGI-1230 | 5 | S1224 |
| UT1524 X 84 AS | 1 1 | DR1530 DR1550 | DR1530 SD | DGI-1530 | 5 | S1524 |
| UT1824 X 84 AS | 1 1 | DR1830 DR1850 | DR1830 SD | DGI-1830 | 5 | S1824 |
| UT2124 X 84 AS | 1 1 | DR2130 DR2150 | DR2130 SD | DGI-2130 | 5 | S2124 |
| UT2424 X 84 AS BUTT | 2 2 | DR1230 BUTT DR1250 BUTT | DR1230 BUTT SD | DGI-1230 BUTT | 5 | S2424 |
| UT2724 X 84 AS BUTT | 2 2 | DR1330 BUTT DR1350 BUTT | DR1330 BUTT SD | DGI-1330 BUTT | 5 | S2724 |
| UT3024 X 84 AS BUTT | 2 2 | DR1530 BUTT DR1550 BUTT | DR1530 BUTT SD | DGI-1530 BUTT | 5 | S3024 |
| UT3324 X 84 AS BUTT | 2 2 | DR1630 BUTT DR1650 BUTT | DR1630 BUTT SD | DGI-1630 BUTT | 5 | S3324 |
| UT3624 X 84 AS BUTT | 2 2 | DR1830 BUTT DR1850 BUTT | DR1830 BUTT SD | DGI-1830 BUTT | 5 | S3624 |
| UTILITY WITH ADJUSTABLE SHELVES • 24" DEEP X 90" HIGH | | | | | | |
| UT1224 X 90 AS | 1 1 | DR1236 DR1250 | DR1236 SD | DGI-1236 | 6 | S1224 |
| UT1524 X 90 AS | 1 1 | DR1536 DR1550 | DR1536 SD | DGI-1536 | 6 | S1524 |
| UT1824 X 90 AS | 1 1 | DR1836 DR1850 | DR1836 SD | DGI-1836 | 6 | S1824 |
| UT2124 X 90 AS | 1 1 | DR2136 DR2150 | DR2136 SD | DGI-2136 | 6 | S2124 |
| UT2424 X 90 AS BUTT | 2 2 | DR1236 BUTT DR1250 BUTT | DR1236 BUTT SD | DGI-1236 BUTT | 6 | S2424 |
| UT2724 X 90 AS BUTT | 2 2 | DR1336 BUTT DR1350 BUTT | DR1336 BUTT SD | DGI-1336 BUTT | 6 | S2724 |
| UT3024 X 90 AS BUTT | 2 2 | DR1536 BUTT DR1550 BUTT | DR1536 BUTT SD | DGI-1536 BUTT | 6 | S3024 |
| UT3324 X 90 AS BUTT | 2 2 | DR1636 BUTT DR1650 BUTT | DR1636 BUTT SD | DGI-1636 BUTT | 6 | S3324 |
| UT3624 X 90 AS BUTT | 2 2 | DR1836 BUTT DR1850 BUTT | DR1836 BUTT SD | DGI-1836 BUTT | 6 | S3624 |

PARTS: TALL CABINETS

PARTS DIRECTORY: Utility Cabinets

PARTS: TALL CABINETS

| SKU | Qty | DOOR | SPECIALTY DOOR | DECORATIVE GLASS | Qty | ADJUSTABLE SHELF OR DROT |
|--|-----|-------------|---|------------------|-----|---|
| | | | Specialty doors require a specialty door selection. | | | *For All Plywood Construction or Matching Interior Adjustable Shelf, upgrade through construction options |
| | | Part Name | Part Name | Part Name | | *Part Name |
| UTILITY WITH ADJUSTABLE SHELVES • 24" DEEP X 93" HIGH | | | | | | |
| UT1224 X 93 AS | 1 | DR1239 | DR1239 SD | DGI-1239 | 7 | S1224 |
| | 1 | DR1250 | | | | |
| UT1524 X 93 AS | 1 | DR1539 | DR1539 SD | DGI-1539 | 7 | S1524 |
| | 1 | DR1550 | | | | |
| UT1824 X 93 AS | 1 | DR1839 | DR1839 SD | DGI-1839 | 7 | S1824 |
| | 1 | DR1850 | | | | |
| UT2124 X 93 AS | 1 | DR2139 | DR2139 SD | DGI-2139 | 7 | S2124 |
| | 1 | DR2150 | | | | |
| UT2424 X 93 AS BUTT | 2 | DR1239 BUTT | DR1239 BUTT SD | DGI-1239 BUTT | 7 | S2424 |
| | 2 | DR1250 BUTT | | | | |
| UT2724 X 93 AS BUTT | 2 | DR1339 BUTT | DR1339 BUTT SD | DGI-1339 BUTT | 7 | S2724 |
| | 2 | DR1350 BUTT | | | | |
| UT3024 X 93 AS BUTT | 2 | DR1539 BUTT | DR1539 BUTT SD | DGI-1539 BUTT | 7 | S3024 |
| | 2 | DR1550 BUTT | | | | |
| UT3324 X 93 AS BUTT | 2 | DR1639 BUTT | DR1639 BUTT SD | DGI-1639 BUTT | 7 | S3324 |
| | 2 | DR1650 BUTT | | | | |
| UT3624 X 93 AS BUTT | 2 | DR1839 BUTT | DR1839 BUTT SD | DGI-1839 BUTT | 7 | S3624 |
| | 2 | DR1850 BUTT | | | | |
| UTILITY WITH ADJUSTABLE SHELVES • 24" DEEP X 96" HIGH | | | | | | |
| UT1224 X 96 AS | 1 | DR1242 | DR1242 SD | DGI-1242 | 7 | S1224 |
| | 1 | DR1250 | | | | |
| UT1524 X 96 AS | 1 | DR1542 | DR1542 SD | DGI-1542 | 7 | S1524 |
| | 1 | DR1550 | | | | |
| UT1824 X 96 AS | 1 | DR1842 | DR1842 SD | DGI-1842 | 7 | S1824 |
| | 1 | DR1850 | | | | |
| UT2124 X 96 AS | 1 | DR2142 | DR2142 SD | DGI-2142 | 7 | S2124 |
| | 1 | DR2150 | | | | |
| UT2424 X 96 AS BUTT | 2 | DR1242 BUTT | DR1242 BUTT SD | DGI-1242 BUTT | 7 | S2424 |
| | 2 | DR1250 BUTT | | | | |
| UT2724 X 96 AS BUTT | 2 | DR1342 BUTT | DR1342 BUTT SD | DGI-1342 BUTT | 7 | S2724 |
| | 2 | DR1350 BUTT | | | | |
| UT3024 X 96 AS BUTT | 2 | DR1542 BUTT | DR1542 BUTT SD | DGI-1542 BUTT | 7 | S3024 |
| | 2 | DR1550 BUTT | | | | |
| UT3324 X 96 AS BUTT | 2 | DR1642 BUTT | DR1642 BUTT SD | DGI-1642 BUTT | 7 | S3324 |
| | 2 | DR1650 BUTT | | | | |
| UT3624 X 96 AS BUTT | 2 | DR1842 BUTT | DR1842 BUTT SD | DGI-1842 BUTT | 7 | S3624 |
| | 2 | DR1850 BUTT | | | | |

| SKU | Qty | DOOR | SPECIALTY DOOR | DECORATIVE GLASS | Qty | ADJUSTABLE SHELF OR DROT |
|--|-----|-------------|---|------------------|-----|---|
| | | | Specialty doors require a specialty door selection. | | | *For All Plywood Construction or Matching Interior Adjustable Shelf, upgrade through construction options |
| | | Part Name | Part Name | Part Name | | *Part Name |
| UTILITY WITH DEEP ROLL OUT TRAYS - 84" HIGH | | | | | | |
| UT1224 X 84 4ROT | 1 | DR1230 | DR1230 SD | DGI-1230 | 1 | S1224 |
| | 1 | DR1250 | | | 4 | DROT12 |
| UT1524 X 84 4ROT | 1 | DR1530 | DR1530 SD | DGI-1530 | 1 | S1524 |
| | 1 | DR1550 | | | 4 | DROT15 |
| UT1824 X 84 4ROT | 1 | DR1830 | DR1830 SD | DGI-1830 | 1 | S1824 |
| | 1 | DR1850 | | | 4 | DROT18 |
| UT2124 X 84 4ROT | 1 | DR2130 | DR2130 SD | DGI-2130 | 1 | S2124 |
| | 1 | DR2150 | | | 4 | DROT21 |
| UT2424 X 84 4ROT BUTT | 2 | DR1230 BUTT | DR1230 BUTT SD | DGI-1230 BUTT | 1 | S2424 |
| | 2 | DR1250 BUTT | | | 4 | DROT24 |
| UT2724 X 84 4ROT BUTT | 2 | DR1330 BUTT | DR1330 BUTT SD | DGI-1330 BUTT | 1 | S2724 |
| | 2 | DR1350 BUTT | | | 4 | DROT27 |
| UT3024 X 84 4ROT BUTT | 2 | DR1530 BUTT | DR1530 BUTT SD | DGI-1530 BUTT | 1 | S3024 |
| | 2 | DR1550 BUTT | | | 4 | DROT30 |
| UT3324 X 84 4ROT BUTT | 2 | DR1630 BUTT | DR1630 BUTT SD | DGI-1630 BUTT | 1 | S3324 |
| | 2 | DR1650 BUTT | | | 4 | DROT33 |
| UT3624 X 84 4ROT BUTT | 2 | DR1830 BUTT | DR1830 BUTT SD | DGI-1830 BUTT | 1 | S3624 |
| | 2 | DR1850 BUTT | | | 4 | DROT36 |
| UTILITY WITH DEEP ROLL OUT TRAYS - 90" HIGH | | | | | | |
| UT1224 X 90 4ROT | 1 | DR1236 | DR1236 SD | DGI-1236 | 2 | S1224 |
| | 1 | DR1250 | | | 4 | DROT12 |
| UT1524 X 90 4ROT | 1 | DR1536 | DR1536 SD | DGI-1536 | 2 | S1524 |
| | 1 | DR1550 | | | 4 | DROT15 |
| UT1824 X 90 4ROT | 1 | DR1836 | DR1836 SD | DGI-1836 | 2 | S1824 |
| | 1 | DR1850 | | | 4 | DROT18 |
| UT2124 X 90 4ROT | 1 | DR2136 | DR2136 SD | DGI-2136 | 2 | S2124 |
| | 1 | DR2150 | | | 4 | DROT21 |
| UT2424 X 90 4ROT BUTT | 2 | DR1236 BUTT | DR1236 BUTT SD | DGI-1236 BUTT | 2 | S2424 |
| | 2 | DR1250 BUTT | | | 4 | DROT24 |
| UT2724 X 90 4ROT BUTT | 2 | DR1336 BUTT | DR1336 BUTT SD | DGI-1336 BUTT | 2 | S2724 |
| | 2 | DR1350 BUTT | | | 4 | DROT27 |
| UT3024 X 90 4ROT BUTT | 2 | DR1536 BUTT | DR1536 BUTT SD | DGI-1536 BUTT | 2 | S3024 |
| | 2 | DR1550 BUTT | | | 4 | DROT30 |
| UT3324 X 90 4ROT BUTT | 2 | DR1636 BUTT | DR1636 BUTT SD | DGI-1636 BUTT | 2 | S3324 |
| | 2 | DR1650 BUTT | | | 4 | DROT33 |
| UT3624 X 90 4ROT BUTT | 2 | DR1836 BUTT | DR1836 BUTT SD | DGI-1836 BUTT | 2 | S3624 |
| | 2 | DR1850 BUTT | | | 4 | DROT36 |

PARTS: TALL CABINETS

PARTS DIRECTORY: Utility Cabinets

PARTS: TALL CABINETS

| SKU | Qty | DOOR | SPECIALTY DOOR | DECORATIVE GLASS | Qty | ADJUSTABLE SHELF OR DROT |
|--|-----|-------------|---|------------------|-----|---|
| | | | Specialty doors require a specialty door selection. | | | *For All Plywood Construction or Matching Interior Adjustable Shelf, upgrade through construction options |
| | | Part Name | Part Name | Part Name | | *Part Name |
| UTILITY WITH DEEP ROLL OUT TRAYS - 93" HIGH | | | | | | |
| UT1224 X 93 4ROT | 1 | DR1239 | DR1239 SD | DGI-1239 | 3 | S1224 |
| | 1 | DR1250 | | | 4 | DROT12 |
| UT1524 X 93 4ROT | 1 | DR1539 | DR1539 SD | DGI-1539 | 3 | S1524 |
| | 1 | DR1550 | | | 4 | DROT15 |
| UT1824 X 93 4ROT | 1 | DR1839 | DR1839 SD | DGI-1839 | 3 | S1824 |
| | 1 | DR1850 | | | 4 | DROT18 |
| UT2124 X 93 4ROT | 1 | DR2139 | DR2139 SD | DGI-2139 | 3 | S2124 |
| | 1 | DR2150 | | | 4 | DROT21 |
| UT2424 X 93 4ROT BUTT | 2 | DR1239 BUTT | DR1239 BUTT SD | DGI-1239 BUTT | 3 | S2424 |
| | 2 | DR1250 BUTT | | | 4 | DROT24 |
| UT2724 X 93 4ROT BUTT | 2 | DR1339 BUTT | DR1339 BUTT SD | DGI-1339 BUTT | 3 | S2724 |
| | 2 | DR1350 BUTT | | | 4 | DROT27 |
| UT3024 X 93 4ROT BUTT | 2 | DR1539 BUTT | DR1539 BUTT SD | DGI-1539 BUTT | 3 | S3024 |
| | 2 | DR1550 BUTT | | | 4 | DROT30 |
| UT3324 X 93 4ROT BUTT | 2 | DR1639 BUTT | DR1639 BUTT SD | DGI-1639 BUTT | 3 | S3324 |
| | 2 | DR1650 BUTT | | | 4 | DROT33 |
| UT3624 X 93 4ROT BUTT | 2 | DR1839 BUTT | DR1839 BUTT SD | DGI-1839 BUTT | 3 | S3624 |
| | 2 | DR1850 BUTT | | | 4 | DROT36 |
| UTILITY WITH DEEP ROLL OUT TRAYS - 96" HIGH | | | | | | |
| UT1224 X 96 4ROT | 1 | DR1242 | DR1242 SD | DGI-1242 | 3 | S1224 |
| | 1 | DR1250 | | | 4 | DROT12 |
| UT1524 X 96 4ROT | 1 | DR1542 | DR1542 SD | DGI-1542 | 3 | S1524 |
| | 1 | DR1550 | | | 4 | DROT15 |
| UT1824 X 96 4ROT | 1 | DR1842 | DR1842 SD | DGI-1842 | 3 | S1824 |
| | 1 | DR1850 | | | 4 | DROT18 |
| UT2124 X 96 4ROT | 1 | DR2142 | DR2142 SD | DGI-2142 | 3 | S2124 |
| | 1 | DR2150 | | | 4 | DROT21 |
| UT2424 X 96 4ROT BUTT | 2 | DR1242 BUTT | DR1242 BUTT SD | DGI-1242 BUTT | 3 | S2424 |
| | 2 | DR1250 BUTT | | | 4 | DROT24 |
| UT2724 X 96 4ROT BUTT | 2 | DR1342 BUTT | DR1342 BUTT SD | DGI-1342 BUTT | 3 | S2724 |
| | 2 | DR1350 BUTT | | | 4 | DROT27 |
| UT3024 X 96 4ROT BUTT | 2 | DR1542 BUTT | DR1542 BUTT SD | DGI-1542 BUTT | 3 | S3024 |
| | 2 | DR1550 BUTT | | | 4 | DROT30 |
| UT3324 X 96 4ROT BUTT | 2 | DR1642 BUTT | DR1642 BUTT SD | DGI-1642 BUTT | 3 | S3324 |
| | 2 | DR1650 BUTT | | | 4 | DROT33 |
| UT3624 X 96 4ROT BUTT | 2 | DR1842 BUTT | DR1842 BUTT SD | DGI-1842 BUTT | 3 | S3624 |
| | 2 | DR1850 BUTT | | | 4 | DROT36 |
| UTILITY WITH PANTRY STORAGE - 24" DEEP X 84" HIGH | | | | | | |
| UT3624 X 84 PCDS BUTT | 2 | DR1830 BUTT | DR1830 BUTT SD | DGI-1830 BUTT | 1 | S3624 |
| | 2 | DR1850 BUTT | | | 1 | PCKS36 |
| | | | | | 2 | PDSK18 |
| | | | | | 1 | PSK36 |
| UTILITY WITH PANTRY STORAGE - 24" DEEP X 90" HIGH | | | | | | |
| UT3624 X 90 PCDS BUTT | 2 | DR1836 BUTT | DR1836 BUTT SD | DGI-1836 BUTT | 2 | S3624 |
| | 2 | DR1850 BUTT | | | 1 | PCKS36 |
| | | | | | 2 | PDSK18 |
| | | | | | 1 | PSK36 |
| UTILITY WITH PANTRY STORAGE - 24" DEEP X 93" HIGH | | | | | | |
| UT3624 X 93 PCDS BUTT | 2 | DR1839 BUTT | DR1839 BUTT SD | DGI-1839 BUTT | 3 | S3624 |
| | 2 | DR1850 BUTT | | | 1 | PCKS36 |
| | | | | | 2 | PDSK18 |
| | | | | | 1 | PSK36 |
| UTILITY WITH PANTRY STORAGE - 24" DEEP X 96" HIGH | | | | | | |
| UT3624 X 96 PCDS BUTT | 2 | DR1842 BUTT | DR1842 BUTT SD | DGI-1842 BUTT | 3 | S3624 |
| | 2 | DR1850 BUTT | | | 1 | PCKS36 |
| | | | | | 2 | PDSK18 |
| | | | | | 1 | PSK36 |

| SKU | Qty | DOOR | | ADJUSTABLE SHELF | | DRAWER FRONT | | DRAWER BODY |
|---|-----|--------------|-----|------------------|-----|--------------|-----------------|---------------------|
| | | Part Name | Qty | *Part Name | Qty | Full Overlay | Partial Overlay | Part Name |
| | | | | | | | | |
| DOUBLE OVEN CABINETS WITH 2 BUTT DOORS, 1 DRAWER · 84" HIGH | | | | | | | | |
| OVD2784 BUTT | 2 | DRI1318 BUTT | - | - | 1 | DDF0V27 | DDF27 | DRB24 X 21DP DT FD |
| OVD3084 BUTT | 2 | DRI1518 BUTT | - | - | 1 | DDF0V30 | DDF30 | DRB27 X 21DP DT FD |
| OVD3384 BUTT | 2 | DRI1618 BUTT | - | - | 1 | DDF0V33 | DDF33 | DRB30 X 21DP DT FD |
| DOUBLE OVEN CABINETS WITH 2 BUTT DOORS, 1 DRAWER · 90" HIGH | | | | | | | | |
| OVD2790 AS BUTT | 2 | DRI1324 BUTT | 1 | S2724 | 1 | DDF0V27 | DDF27 | DRB24 X 21DP DT FD |
| OVD3090 AS BUTT | 2 | DRI1524 BUTT | 1 | S3024 | 1 | DDF0V30 | DDF30 | DRB27 X 21DP DT FD |
| OVD3390 AS BUTT | 2 | DRI1624 BUTT | 1 | S3324 | 1 | DDF0V33 | DDF33 | DRB30 X 21DP DT FD |
| DOUBLE OVEN CABINETS WITH 2 BUTT DOORS, 1 DRAWER · 93" HIGH | | | | | | | | |
| OVD2793 AS BUTT | 2 | DRI1327 BUTT | 2 | S2724 | 1 | DDF0V27 | DDF27 | DRB24 X 21DP DT FD |
| OVD3093 AS BUTT | 2 | DRI1527 BUTT | 2 | S3024 | 1 | DDF0V30 | DDF30 | DRB27 X 21DP DT FD |
| OVD3393 AS BUTT | 2 | DRI1627 BUTT | 2 | S3324 | 1 | DDF0V33 | DDF33 | DRB30 X 21DP DT FD |
| DOUBLE OVEN CABINETS WITH 2 BUTT DOORS, 1 DRAWER · 96" HIGH | | | | | | | | |
| OVD2796 AS BUTT | 2 | DRI1330 BUTT | 2 | S2724 | 1 | DDF0V27 | DDF27 | DRB24 X 21DP DT FD |
| OVD3096 AS BUTT | 2 | DRI1530 BUTT | 2 | S3024 | 1 | DDF0V30 | DDF30 | DRB27 X 21DP DT FD |
| OVD3396 AS BUTT | 2 | DRI1630 BUTT | 2 | S3324 | 1 | DDF0V33 | DDF33 | DRB30 X 21DP DT FD |
| DOUBLE OVEN CABINETS WITH 2 BUTT DOORS AND 1 LARGE DRAWER · 84" HIGH | | | | | | | | |
| OVD2784 BUTT 1DDWR | 2 | DRI1318 BUTT | - | - | 1 | DDF27M | DDF27D | DRB24M X 21DP DT FD |
| OVD3084 BUTT 1DDWR | 2 | DRI1518 BUTT | - | - | 1 | DDF30M | DDF30D | DRB27M X 21DP DT FD |
| OVD3384 BUTT 1DDWR | 2 | DRI1618 BUTT | - | - | 1 | DDF33M | DDF33D | DRB30M X 21DP DT FD |
| DOUBLE OVEN CABINETS WITH 2 BUTT DOORS AND 1 LARGE DRAWER · 90" HIGH | | | | | | | | |
| OVD2790 AS BUTT 1DDWR | 2 | DRI1324 BUTT | 1 | S2724 | 1 | DDF27M | DDF27D | DRB24M X 21DP DT FD |
| OVD3090 AS BUTT 1DDWR | 2 | DRI1524 BUTT | 1 | S3024 | 1 | DDF30M | DDF30D | DRB27M X 21DP DT FD |
| OVD3390 AS BUTT 1DDWR | 2 | DRI1624 BUTT | 1 | S3324 | 1 | DDF33M | DDF33D | DRB30M X 21DP DT FD |
| DOUBLE OVEN CABINETS WITH 2 BUTT DOORS AND 1 LARGE DRAWER · 93" HIGH | | | | | | | | |
| OVD2793 AS BUTT 1DDWR | 2 | DRI1327 BUTT | 2 | S2724 | 1 | DDF27M | DDF27D | DRB24M X 21DP DT FD |
| OVD3093 AS BUTT 1DDWR | 2 | DRI1527 BUTT | 2 | S3024 | 1 | DDF30M | DDF30D | DRB27M X 21DP DT FD |
| OVD3393 AS BUTT 1DDWR | 2 | DRI1627 BUTT | 2 | S3324 | 1 | DDF33M | DDF33D | DRB30M X 21DP DT FD |
| DOUBLE OVEN CABINETS WITH 2 BUTT DOORS AND 1 LARGE DRAWER · 96" HIGH | | | | | | | | |
| OVD2796 AS BUTT 1DDWR | 2 | DRI1330 BUTT | 2 | S2724 | 1 | DDF27M | DDF27D | DRB24M X 21DP DT FD |
| OVD3096 AS BUTT 1DDWR | 2 | DRI1530 BUTT | 2 | S3024 | 1 | DDF30M | DDF30D | DRB27M X 21DP DT FD |
| OVD3396 AS BUTT 1DDWR | 2 | DRI1630 BUTT | 2 | S3324 | 1 | DDF33M | DDF33D | DRB30M X 21DP DT FD |
| DOUBLE OVEN CABINETS WITH 2 BUTT DOORS AND 2 DRAWERS · 84" HIGH | | | | | | | | |
| OVD2784 BUTT 2DWR | 2 | DRI1318 BUTT | - | - | 2 | DDF27 | DDF27 | DRB24 X 21DP DT FD |
| OVD3084 BUTT 2DWR | 2 | DRI1518 BUTT | - | - | 2 | DDF30 | DDF30 | DRB27 X 21DP DT FD |
| OVD3384 BUTT 2DWR | 2 | DRI1618 BUTT | - | - | 2 | DDF33 | DDF33 | DRB30 X 21DP DT FD |
| DOUBLE OVEN CABINETS WITH 2 BUTT DOORS AND 2 DRAWERS · 90" HIGH | | | | | | | | |
| OVD2790 AS BUTT 2DWR | 2 | DRI1324 BUTT | 1 | S2724 | 2 | DDF27 | DDF27 | DRB24 X 21DP DT FD |
| OVD3090 AS BUTT 2DWR | 2 | DRI1524 BUTT | 1 | S3024 | 2 | DDF30 | DDF30 | DRB27 X 21DP DT FD |
| OVD3390 AS BUTT 2DWR | 2 | DRI1624 BUTT | 1 | S3324 | 2 | DDF33 | DDF33 | DRB30 X 21DP DT FD |
| DOUBLE OVEN CABINETS WITH 2 BUTT DOORS AND 2 DRAWERS · 93" HIGH | | | | | | | | |
| OVD2793 AS BUTT 2DWR | 2 | DRI1327 BUTT | 2 | S2724 | 2 | DDF27 | DDF27 | DRB24 X 21DP DT FD |
| OVD3093 AS BUTT 2DWR | 2 | DRI1527 BUTT | 2 | S3024 | 2 | DDF30 | DDF30 | DRB27 X 21DP DT FD |
| OVD3393 AS BUTT 2DWR | 2 | DRI1627 BUTT | 2 | S3324 | 2 | DDF33 | DDF33 | DRB30 X 21DP DT FD |
| DOUBLE OVEN CABINETS WITH 2 BUTT DOORS AND 2 DRAWERS · 96" HIGH | | | | | | | | |
| OVD2796 AS BUTT 2DWR | 2 | DRI1330 BUTT | 2 | S2724 | 2 | DDF27 | DDF27 | DRB24 X 21DP DT FD |
| OVD3096 AS BUTT 2DWR | 2 | DRI1530 BUTT | 2 | S3024 | 2 | DDF30 | DDF30 | DRB27 X 21DP DT FD |
| OVD3396 AS BUTT 2DWR | 2 | DRI1630 BUTT | 2 | S3324 | 2 | DDF33 | DDF33 | DRB30 X 21DP DT FD |

PARTS: TALL CABINETS

P27 PARTS DIRECTORY: Single Oven Cabinets

PARTS: TALL CABINETS

| SKU | Qty | DOOR | | ADJUSTABLE SHELF/ACCESSORY | | DRAWER FRONT | | DRAWER BODY |
|--|-----|-------------|-----|----------------------------|-----|--------------|-----------------|---------------------|
| | | Part Name | Qty | *Part Name | Qty | Full Overlay | Partial Overlay | Part Name |
| | | | | | | Part Name | Part Name | |
| SINGLE OVEN CABINETS WITH 2 BUTT DOORS AND 2 DRAWERS - 84" HIGH | | | | | | | | |
| OVS2784 BUTT 2DDWR | 2 | DR1318 BUTT | - | - | 2 | DDF27M | DDF27D | DRB24M X 21DP DT FD |
| OVS3084 BUTT 2DDWR | 2 | DR1518 BUTT | - | - | 2 | DDF30M | DDF30D | DRB27M X 21DP DT FD |
| OVS3384 BUTT 2DDWR | 2 | DR1618 BUTT | - | - | 2 | DDF33M | DDF33D | DRB30M X 21DP DT FD |
| SINGLE OVEN CABINETS WITH 2 BUTT DOORS AND 2 DRAWERS - 90" HIGH | | | | | | | | |
| OVS2790 AS BUTT 2DDWR | 2 | DR1324 BUTT | 1 | S2724 | 2 | DDF27M | DDF27D | DRB24M X 21DP DT FD |
| OVS3090 AS BUTT 2DDWR | 2 | DR1524 BUTT | 1 | S3024 | 2 | DDF30M | DDF30D | DRB27M X 21DP DT FD |
| OVS3390 AS BUTT 2DDWR | 2 | DR1624 BUTT | 1 | S3324 | 2 | DDF33M | DDF33D | DRB30M X 21DP DT FD |
| SINGLE OVEN CABINETS WITH 2 BUTT DOORS AND 2 DRAWERS - 93" HIGH | | | | | | | | |
| OVS2793 AS BUTT 2DDWR | 2 | DR1327 BUTT | 2 | S2724 | 2 | DDF27M | DDF27D | DRB24M X 21DP DT FD |
| OVS3093 AS BUTT 2DDWR | 2 | DR1527 BUTT | 2 | S3024 | 2 | DDF30M | DDF30D | DRB27M X 21DP DT FD |
| OVS3393 AS BUTT 2DDWR | 2 | DR1627 BUTT | 2 | S3324 | 2 | DDF33M | DDF33D | DRB30M X 21DP DT FD |
| SINGLE OVEN CABINETS WITH 2 BUTT DOORS AND 2 DRAWERS - 96" HIGH | | | | | | | | |
| OVS2796 AS BUTT 2DDWR | 2 | DR1330 BUTT | 2 | S2724 | 2 | DDF27M | DDF27D | DRB24M X 21DP DT FD |
| OVS3096 AS BUTT 2DDWR | 2 | DR1530 BUTT | 2 | S3024 | 2 | DDF30M | DDF30D | DRB27M X 21DP DT FD |
| OVS3396 AS BUTT 2DDWR | 2 | DR1630 BUTT | 2 | S3324 | 2 | DDF33M | DDF33D | DRB30M X 21DP DT FD |
| SINGLE OVEN CABINETS WITH 2 BUTT DOORS AND 3 DRAWERS - 84" HIGH | | | | | | | | |
| OVS2784 BUTT 3DWR | 2 | DR1318 BUTT | - | - | 1 | DDF27 | DDF27 | DRB24 X 21DP DT FD |
| | | | | | 2 | DDF27M | DDF27D | DRB24M X 21DP DT FD |
| OVS3084 BUTT 3DWR | 2 | DR1518 BUTT | - | - | 1 | DDF30 | DDF30 | DRB27 X 21DP DT FD |
| | | | | | 2 | DDF30M | DDF30D | DRB27M X 21DP DT FD |
| OVS3384 BUTT 3DWR | 2 | DR1618 BUTT | - | - | 1 | DDF33 | DDF33 | DRB30 X 21DP DT FD |
| | | | | | 2 | DDF33M | DDF33D | DRB30M X 21DP DT FD |
| SINGLE OVEN CABINETS WITH 2 BUTT DOORS AND 3 DRAWERS - 90" HIGH | | | | | | | | |
| OVS2790 AS BUTT 3DWR | 2 | DR1324 BUTT | 1 | S2724 | 1 | DDF27 | DDF27 | DRB24 X 21DP DT FD |
| | | | | | 2 | DDF27M | DDF27D | DRB24M X 21DP DT FD |
| OVS3090 AS BUTT 3DWR | 2 | DR1524 BUTT | 1 | S3024 | 1 | DDF30 | DDF30 | DRB27 X 21DP DT FD |
| | | | | | 2 | DDF30M | DDF30D | DRB27M X 21DP DT FD |
| OVS3390 AS BUTT 3DWR | 2 | DR1624 BUTT | 1 | S3324 | 1 | DDF33 | DDF33 | DRB30 X 21DP DT FD |
| | | | | | 2 | DDF33M | DDF33D | DRB30M X 21DP DT FD |
| SINGLE OVEN CABINETS WITH 2 BUTT DOORS AND 3 DRAWERS - 93" HIGH | | | | | | | | |
| OVS2793 AS BUTT 3DWR | 2 | DR1327 BUTT | 2 | S2724 | 1 | DDF27 | DDF27 | DRB24 X 21DP DT FD |
| | | | | | 2 | DDF27M | DDF27D | DRB24M X 21DP DT FD |
| OVS3093 AS BUTT 3DWR | 2 | DR1527 BUTT | 2 | S3024 | 1 | DDF30 | DDF30 | DRB27 X 21DP DT FD |
| | | | | | 2 | DDF30M | DDF30D | DRB27M X 21DP DT FD |
| OVS3393 AS BUTT 3DWR | 2 | DR1627 BUTT | 2 | S3324 | 1 | DDF33 | DDF33 | DRB30 X 21DP DT FD |
| | | | | | 2 | DDF33M | DDF33D | DRB30M X 21DP DT FD |
| SINGLE OVEN CABINETS WITH 2 BUTT DOORS AND 3 DRAWERS - 96" HIGH | | | | | | | | |
| OVS2796 AS BUTT 3DWR | 2 | DR1330 BUTT | 2 | S2724 | 1 | DDF27 | DDF27 | DRB24 X 21DP DT FD |
| | | | | | 2 | DDF27M | DDF27D | DRB24M X 21DP DT FD |
| OVS3096 AS BUTT 3DWR | 2 | DR1530 BUTT | 2 | S3024 | 1 | DDF30 | DDF30 | DRB27 X 21DP DT FD |
| | | | | | 2 | DDF30M | DDF30D | DRB27M X 21DP DT FD |
| OVS3396 AS BUTT 3DWR | 2 | DR1630 BUTT | 2 | S3324 | 1 | DDF33 | DDF33 | DRB30 X 21DP DT FD |
| | | | | | 2 | DDF33M | DDF33D | DRB30M X 21DP DT FD |
| SINGLE OVEN CABINETS WITH 2 BUTT DOORS AND 4 DRAWERS - 84" HIGH | | | | | | | | |
| OVS2784 BUTT 4DWR | 2 | DR1318 BUTT | - | - | 2 | DDF27 | DDF27 | DRB24 X 21DP DT FD |
| | | | | | 2 | DDF27M | DDF27D | DRB24M X 21DP DT FD |
| OVS3084 BUTT 4DWR | 2 | DR1518 BUTT | - | - | 2 | DDF30 | DDF30 | DRB27 X 21DP DT FD |
| | | | | | 2 | DDF30M | DDF30D | DRB27M X 21DP DT FD |
| OVS3384 BUTT 4DWR | 2 | DR1618 BUTT | - | - | 2 | DDF33 | DDF33 | DRB30 X 21DP DT FD |
| | | | | | 2 | DDF33M | DDF33D | DRB30M X 21DP DT FD |

| SKU | Qty | DOOR | | ADJUSTABLE SHELF/ACCESSORY | | DRAWER FRONT | | DRAWER BODY |
|--|-----|-------------|-----|----------------------------|-----|--------------|-----------------|---------------------|
| | | Part Name | Qty | *Part Name | Qty | Full Overlay | Partial Overlay | Part Name |
| | | | | | | | | |
| SINGLE OVEN CABINETS WITH 2 BUTT DOORS AND 4 DRAWERS - 90" HIGH | | | | | | | | |
| OVS2790 AS BUTT 4DWR | 2 | DRI324 BUTT | 1 | S2724 | 2 | DDF27 | DDF27 | DRB24 X 21DP DT FD |
| | | | | | 2 | DDF27M | DDF27D | DRB24M X 21DP DT FD |
| OVS3090 AS BUTT 4DWR | 2 | DRI524 BUTT | 1 | S3024 | 2 | DDF30 | DDF30 | DRB27 X 21DP DT FD |
| | | | | | 2 | DDF30M | DDF30D | DRB27M X 21DP DT FD |
| OVS3390 AS BUTT 4DWR | 2 | DRI624 BUTT | 1 | S3324 | 2 | DDF33 | DDF33 | DRB30 X 21DP DT FD |
| | | | | | 2 | DDF33M | DDF33D | DRB30M X 21DP DT FD |
| SINGLE OVEN CABINETS WITH 2 BUTT DOORS AND 4 DRAWERS - 93" HIGH | | | | | | | | |
| OVS2793 AS BUTT 4DWR | 2 | DRI327 BUTT | 2 | S2724 | 2 | DDF27 | DDF27 | DRB24 X 21DP DT FD |
| | | | | | 2 | DDF27M | DDF27D | DRB24M X 21DP DT FD |
| OVS3093 AS BUTT 4DWR | 2 | DRI527 BUTT | 2 | S3024 | 2 | DDF30 | DDF30 | DRB27 X 21DP DT FD |
| | | | | | 2 | DDF30M | DDF30D | DRB27M X 21DP DT FD |
| OVS3393 AS BUTT 4DWR | 2 | DRI627 BUTT | 2 | S3324 | 2 | DDF33 | DDF33 | DRB30 X 21DP DT FD |
| | | | | | 2 | DDF33M | DDF33D | DRB30M X 21DP DT FD |
| SINGLE OVEN CABINETS WITH 2 BUTT DOORS AND 4 DRAWERS - 96" HIGH | | | | | | | | |
| OVS2796 AS BUTT 4DWR | 2 | DRI330 BUTT | 2 | S2724 | 2 | DDF27 | DDF27 | DRB24 X 21DP DT FD |
| | | | | | 2 | DDF27M | DDF27D | DRB24M X 21DP DT FD |
| OVS3096 AS BUTT 4DWR | 2 | DRI530 BUTT | 2 | S3024 | 2 | DDF30 | DDF30 | DRB27 X 21DP DT FD |
| | | | | | 2 | DDF30M | DDF30D | DRB27M X 21DP DT FD |
| OVS3396 AS BUTT 4DWR | 2 | DRI630 BUTT | 2 | S3324 | 2 | DDF33 | DDF33 | DRB30 X 21DP DT FD |
| | | | | | 2 | DDF33M | DDF33D | DRB30M X 21DP DT FD |
| SINGLE OVEN CABINETS WITH 4 BUTT DOORS AND 1 DRAWER - 84" HIGH | | | | | | | | |
| OVS2784 BUTT 1DWR | 2 | DRI318 BUTT | - | - | 1 | DDF27 | DDF27 | DRB24 X 21DP DT FD |
| | 2 | DRI324 BUTT | | | | | | |
| OVS3084 BUTT 1DWR | 2 | DRI518 BUTT | - | - | 1 | DDF30 | DDF30 | DRB27 X 21DP DT FD |
| | 2 | DRI524 BUTT | | | | | | |
| OVS3384 BUTT 1DWR | 2 | DRI618 BUTT | - | - | 1 | DDF33 | DDF33 | DRB30 X 21DP DT FD |
| | 2 | DRI624 BUTT | | | | | | |
| SINGLE OVEN CABINETS WITH 4 BUTT DOORS AND 1 DRAWER - 90" HIGH | | | | | | | | |
| OVS2790 AS BUTT 1DWR | 4 | DRI324 BUTT | 1 | S2724 | 1 | DDF27 | DDF27 | DRB24 X 21DP DT FD |
| OVS3090 AS BUTT 1DWR | 4 | DRI524 BUTT | 1 | S3024 | 1 | DDF30 | DDF30 | DRB27 X 21DP DT FD |
| OVS3390 AS BUTT 1DWR | 4 | DRI624 BUTT | 1 | S3324 | 1 | DDF33 | DDF33 | DRB30 X 21DP DT FD |
| SINGLE OVEN CABINETS WITH 4 BUTT DOORS AND 1 DRAWER - 93" HIGH | | | | | | | | |
| OVS2793 AS BUTT 1DWR | 2 | DRI327 BUTT | 2 | S2724 | 1 | DDF27 | DDF27 | DRB24 X 21DP DT FD |
| | 2 | DRI324 BUTT | | | | | | |
| OVS3093 AS BUTT 1DWR | 2 | DRI527 BUTT | 2 | S3024 | 1 | DDF30 | DDF30 | DRB27 X 21DP DT FD |
| | 2 | DRI524 BUTT | | | | | | |
| OVS3393 AS BUTT 1DWR | 2 | DRI627 BUTT | 2 | S3324 | 1 | DDF33 | DDF33 | DRB30 X 21DP DT FD |
| | 2 | DRI624 BUTT | | | | | | |
| SINGLE OVEN CABINETS WITH 4 BUTT DOORS AND 1 DRAWER - 96" HIGH | | | | | | | | |
| OVS2796 AS BUTT 1DWR | 2 | DRI330 BUTT | 2 | S2724 | 1 | DDF27 | DDF27 | DRB24 X 21DP DT FD |
| | 2 | DRI324 BUTT | | | | | | |
| OVS3096 AS BUTT 1DWR | 2 | DRI530 BUTT | 2 | S3024 | 1 | DDF30 | DDF30 | DRB27 X 21DP DT FD |
| | 2 | DRI524 BUTT | | | | | | |
| OVS3396 AS BUTT 1DWR | 2 | DRI630 BUTT | 2 | S3324 | 1 | DDF33 | DDF33 | DRB30 X 21DP DT FD |
| | 2 | DRI624 BUTT | | | | | | |

PARTS: TALL CABINETS

P29 PARTS DIRECTORY: Single Oven Cabinets

PARTS: TALL CABINETS

| SKU | Qty | DOOR | | ADJUSTABLE SHELF/ACCESSORY | | DRAWER FRONT | | DRAWER BODY |
|--|-----|-------------|-----|----------------------------|-----|--------------|-----------------|--------------------|
| | | Part Name | Qty | *Part Name | Qty | Full Overlay | Partial Overlay | Part Name |
| | | | | | | Part Name | Part Name | |
| SINGLE OVEN CABINETS WITH 4 BUTT DOORS, 1 DRAWER AND 1 POT & PAN ORGANIZER - 84" HIGH | | | | | | | | |
| OVS2784 BUTT 1DWR BPP0 | 2 | DR1318 BUTT | - | - | 1 | DDF27 | DDF27 | DRB24 X 21DP DT FD |
| | 2 | DR1324 BUTT | 1 | BPP0K24 | | | | |
| OVS3084 BUTT 1DWR BPP0 | 2 | DR1518 BUTT | - | - | 1 | DDF30 | DDF30 | DRB27 X 21DP DT FD |
| | 2 | DR1524 BUTT | 1 | BPP0K27 | | | | |
| OVS3384 BUTT 1DWR BPP0 | 2 | DR1618 BUTT | - | - | 1 | DDF33 | DDF33 | DRB30 X 21DP DT FD |
| | 2 | DR1624 BUTT | 1 | BPP0K30 | | | | |
| SINGLE OVEN CABINETS WITH 4 BUTT DOORS, 1 DRAWER AND 1 POT & PAN ORGANIZER - 90" HIGH | | | | | | | | |
| OVS2790 BUTT 1DWR BPP0 | 4 | DR1324 BUTT | 1 | S2724 | 1 | DDF27 | DDF27 | DRB24 X 21DP DT FD |
| | | | 1 | BPP0K24 | | | | |
| OVS3090 BUTT 1DWR BPP0 | 4 | DR1524 BUTT | 1 | S3024 | 1 | DDF30 | DDF30 | DRB27 X 21DP DT FD |
| | | | 1 | BPP0K27 | | | | |
| OVS3390 BUTT 1DWR BPP0 | 4 | DR1624 BUTT | 1 | S3324 | 1 | DDF33 | DDF33 | DRB30 X 21DP DT FD |
| | | | 1 | BPP0K30 | | | | |
| SINGLE OVEN CABINETS WITH 4 BUTT DOORS, 1 DRAWER AND 1 POT & PAN ORGANIZER - 93" HIGH | | | | | | | | |
| OVS2793 BUTT 1DWR BPP0 | 2 | DR1327 BUTT | 2 | S2724 | 1 | DDF27 | DDF27 | DRB24 X 21DP DT FD |
| | 2 | DR1324 BUTT | 1 | BPP0K24 | | | | |
| OVS3093 BUTT 1DWR BPP0 | 2 | DR1527 BUTT | 2 | S3024 | 1 | DDF30 | DDF30 | DRB27 X 21DP DT FD |
| | 2 | DR1524 BUTT | 1 | BPP0K27 | | | | |
| OVS3393 BUTT 1DWR BPP0 | 2 | DR1627 BUTT | 2 | S3324 | 1 | DDF33 | DDF33 | DRB30 X 21DP DT FD |
| | 2 | DR1624 BUTT | 1 | BPP0K30 | | | | |
| SINGLE OVEN CABINETS WITH 4 BUTT DOORS, 1 DRAWER AND 1 POT & PAN ORGANIZER - 96" HIGH | | | | | | | | |
| OVS2796 BUTT 1DWR BPP0 | 2 | DR1330 BUTT | 2 | S2724 | 1 | DDF27 | DDF27 | DRB24 X 21DP DT FD |
| | 2 | DR1324 BUTT | 1 | BPP0K24 | | | | |
| OVS3096 BUTT 1DWR BPP0 | 2 | DR1530 BUTT | 2 | S3024 | 1 | DDF30 | DDF30 | DRB27 X 21DP DT FD |
| | 2 | DR1524 BUTT | 1 | BPP0K27 | | | | |
| OVS3396 BUTT 1DWR BPP0 | 2 | DR1630 BUTT | 2 | S3324 | 1 | DDF33 | DDF33 | DRB30 X 21DP DT FD |
| | 2 | DR1624 BUTT | 1 | BPP0K30 | | | | |
| SINGLE OVEN CABINETS WITH 4 BUTT DOORS AND 2 DRAWERS - 84" HIGH | | | | | | | | |
| OVS2784 BUTT 2DWR | 2 | DR1318 BUTT | - | - | 2 | DDF27 | DDF27 | DRB24 X 21DP DT FD |
| | 2 | DR1324 BUTT | | | | | | |
| OVS3084 BUTT 2DWR | 2 | DR1518 BUTT | - | - | 2 | DDF30 | DDF30 | DRB27 X 21DP DT FD |
| | 2 | DR1524 BUTT | | | | | | |
| OVS3384 BUTT 2DWR | 2 | DR1618 BUTT | - | - | 2 | DDF33 | DDF33 | DRB30 X 21DP DT FD |
| | 2 | DR1624 BUTT | | | | | | |
| SINGLE OVEN CABINETS WITH 4 BUTT DOORS AND 2 DRAWERS - 90" HIGH | | | | | | | | |
| OVS2790 AS BUTT 2DWR | 4 | DR1324 BUTT | 1 | S2724 | 2 | DDF27 | DDF27 | DRB24 X 21DP DT FD |
| OVS3090 AS BUTT 2DWR | 4 | DR1524 BUTT | 1 | S3024 | 2 | DDF30 | DDF30 | DRB27 X 21DP DT FD |
| OVS3390 AS BUTT 2DWR | 4 | DR1624 BUTT | 1 | S3324 | 2 | DDF33 | DDF33 | DRB30 X 21DP DT FD |

| SKU | Qty | DOOR | | ADJUSTABLE SHELF/ACCESSORY | | | DRAWER FRONT | | DRAWER BODY |
|---|-----|-------------|-----|----------------------------|-----|--------------|-----------------|---------------------|-------------|
| | | Part Name | Qty | *Part Name | Qty | Full Overlay | Partial Overlay | Part Name | |
| | | | | | | | | | *Part Name |
| SINGLE OVEN CABINETS WITH 4 BUTT DOORS AND 2 DRAWERS - 93" HIGH | | | | | | | | | |
| OVS2793 AS BUTT 2DWR | 2 | DR1327 BUTT | 2 | S2724 | 2 | DDF27 | DDF27 | DRB24 X 21DP DT FD | |
| | 2 | DR1324 BUTT | | | | | | | |
| OVS3093 AS BUTT 2DWR | 2 | DR1527 BUTT | 2 | S3024 | 2 | DDF30 | DDF30 | DRB27 X 21DP DT FD | |
| | 2 | DR1524 BUTT | | | | | | | |
| OVS3393 AS BUTT 2DWR | 2 | DR1627 BUTT | 2 | S3324 | 2 | DDF33 | DDF33 | DRB30 X 21DP DT FD | |
| | 2 | DR1624 BUTT | | | | | | | |
| SINGLE OVEN CABINETS WITH 4 BUTT DOORS AND 2 DRAWERS - 96" HIGH | | | | | | | | | |
| OVS2796 AS BUTT 2DWR | 2 | DR1330 BUTT | 2 | S2724 | 2 | DDF27 | DDF27 | DRB24 X 21DP DT FD | |
| | 2 | DR1324 BUTT | | | | | | | |
| OVS3096 AS BUTT 2DWR | 2 | DR1530 BUTT | 2 | S3024 | 2 | DDF30 | DDF30 | DRB27 X 21DP DT FD | |
| | 2 | DR1524 BUTT | | | | | | | |
| OVS3396 AS BUTT 2DWR | 2 | DR1630 BUTT | 2 | S3324 | 2 | DDF33 | DDF33 | DRB30 X 21DP DT FD | |
| | 2 | DR1624 BUTT | | | | | | | |
| SINGLE OVEN CABINETS WITH 4 BUTT DOORS, 2 DRAWERS AND 1 POT & PAN ORGANIZER - 84" HIGH | | | | | | | | | |
| OVS2784 BUTT 2DWR BPP0 | 2 | DR1318 BUTT | - | - | 2 | DDF27 | DDF27 | DRB24 X 21DP DT FD | |
| | 2 | DR1324 BUTT | 1 | BBP0K24 | | | | | |
| OVS3084 BUTT 2DWR BPP0 | 2 | DR1518 BUTT | - | - | 2 | DDF30 | DDF30 | DRB27 X 21DP DT FD | |
| | 2 | DR1524 BUTT | 1 | BPP0K27 | | | | | |
| OVS3384 BUTT 2DWR BPP0 | 2 | DR1618 BUTT | - | - | 2 | DDF33 | DDF33 | DRB30 X 21DP DT FD | |
| | 2 | DR1624 BUTT | 1 | BPP0K30 | | | | | |
| SINGLE OVEN CABINETS WITH 4 BUTT DOORS, 2 DRAWERS AND 1 POT & PAN ORGANIZER - 90" HIGH | | | | | | | | | |
| OVS2790 AS BUTT 2DWR BPP0 | 4 | DR1324 BUTT | 1 | S2724 | 2 | DDF27 | DDF27 | DRB24 X 21DP DT FD | |
| | | | 1 | BPP0K24 | | | | | |
| OVS3090 AS BUTT 2DWR BPP0 | 4 | DR1524 BUTT | 1 | S3024 | 2 | DDF30 | DDF30 | DRB27 X 21DP DT FD | |
| | | | 1 | BPP0K27 | | | | | |
| OVS3390 AS BUTT 2DWR BPP0 | 4 | DR1624 BUTT | 1 | S3324 | 2 | DDF33 | DDF33 | DRB30 X 21DP DT FD | |
| | | | 1 | BPP0K30 | | | | | |
| SINGLE OVEN CABINETS WITH 4 BUTT DOORS, 2 DRAWERS AND 1 POT & PAN ORGANIZER - 93" HIGH | | | | | | | | | |
| OVS2793 AS BUTT 2DWR BPP0 | 2 | DR1327 BUTT | 2 | S2724 | 2 | DDF27 | DDF27 | DRB24 X 21DP DT FD | |
| | 2 | DR1324 BUTT | 1 | BPP0K24 | | | | | |
| OVS3093 AS BUTT 2DWR BPP0 | 2 | DR1527 BUTT | 2 | S3024 | 2 | DDF30 | DDF30 | DRB27 X 21DP DT FD | |
| | 2 | DR1524 BUTT | 1 | BPP0K27 | | | | | |
| OVS3393 AS BUTT 2DWR BPP0 | 2 | DR1627 BUTT | 2 | S3324 | 2 | DDF33 | DDF33 | DRB30 X 21DP DT FD | |
| | 2 | DR1624 BUTT | 1 | BPP0K30 | | | | | |
| SINGLE OVEN CABINETS WITH 4 BUTT DOORS, 2 DRAWERS AND 1 POT & PAN ORGANIZER - 96" HIGH | | | | | | | | | |
| OVS2796 AS BUTT 2DWR BPP0 | 2 | DR1330 BUTT | 2 | S2724 | 2 | DDF27 | DDF27 | DRB24 X 21DP DT FD | |
| | 2 | DR1324 BUTT | 1 | BPP0K24 | | | | | |
| OVS3096 AS BUTT 2DWR BPP0 | 2 | DR1530 BUTT | 2 | S3024 | 2 | DDF30 | DDF30 | DRB27 X 21DP DT FD | |
| | 2 | DR1524 BUTT | 1 | BPP0K27 | | | | | |
| OVS3396 AS BUTT 2DWR BPP0 | 2 | DR1630 BUTT | 2 | S3324 | 2 | DDF33 | DDF33 | DRB30 X 21DP DT FD | |
| | 2 | DR1624 BUTT | 1 | BPP0K30 | | | | | |
| UNIVERSAL DESIGN SINGLE OVEN | | | | | | | | | |
| OVS3384 UD BUTT | 2 | DR1627 BUTT | - | - | 1 | DDF33M | DDF33D | DRB30M X 21DP DT FD | |

PARTS: TALL CABINETS

P31 PARTS DIRECTORY: Single Oven Cabinets

PARTS: TALL CABINETS

| SKU | Qty | DOOR | | ADJUSTABLE SHELF/ACCESSORY | |
|--|-----|-------------|-----|----------------------------|--|
| | | Part Name | Qty | *Part Name | |
| *For All Plywood Construction, upgrade through construction options | | | | | |
| SINGLE OVEN CABINETS WITH 4 BUTT DOORS - 84" HIGH | | | | | |
| OVS2784 BUTT | 2 | DR1318 BUTT | - | - | |
| | 2 | DR1324 BUTT | | | |
| OVS3084 BUTT | 2 | DR1518 BUTT | - | - | |
| | 2 | DR1524 BUTT | | | |
| OVS3384 BUTT | 2 | DR1618 BUTT | - | - | |
| | 2 | DR1624 BUTT | | | |
| SINGLE OVEN CABINETS WITH 4 BUTT DOORS - 90" HIGH | | | | | |
| OVS2790 AS BUTT | 4 | DR1324 BUTT | 1 | S2724 | |
| OVS3090 AS BUTT | 4 | DR1524 BUTT | 1 | S3024 | |
| OVS3390 AS BUTT | 4 | DR1624 BUTT | 1 | S3025 | |
| SINGLE OVEN CABINETS WITH 4 BUTT DOORS - 93" HIGH | | | | | |
| OVS2793 AS BUTT | 2 | DR1327 BUTT | 2 | S2724 | |
| | 2 | DR1324 BUTT | | | |
| OVS3093 AS BUTT | 2 | DR1527 BUTT | 2 | S3024 | |
| | 2 | DR1524 BUTT | | | |
| OVS3393 AS BUTT | 2 | DR1627 BUTT | 2 | S3324 | |
| | 2 | DR1624 BUTT | | | |
| SINGLE OVEN CABINETS WITH 4 BUTT DOORS - 96" HIGH | | | | | |
| OVS2796 AS BUTT | 2 | DR1330 BUTT | 2 | S2724 | |
| | 2 | DR1324 BUTT | | | |
| OVS3096 AS BUTT | 2 | DR1530 BUTT | 2 | S3024 | |
| | 2 | DR1524 BUTT | | | |
| OVS3396 AS BUTT | 2 | DR1630 BUTT | 2 | S3324 | |
| | 2 | DR1624 BUTT | | | |
| SINGLE OVEN CABINETS WITH 4 BUTT DOORS AND 1 POT AND PAN ORGANIZER - 84" HIGH | | | | | |
| OVS2784 BUTT BPP0 | 2 | DR1318 BUTT | - | - | |
| | 2 | DR1324 BUTT | 1 | BBP0K24 | |
| OVS3084 BUTT BPP0 | 2 | DR1518 BUTT | - | - | |
| | 2 | DR1524 BUTT | 1 | BPP0K27 | |
| OVS3384 BUTT BPP0 | 2 | DR1618 BUTT | - | - | |
| | 2 | DR1624 BUTT | 1 | BPP0K30 | |
| SINGLE OVEN CABINETS WITH 4 BUTT DOORS AND 1 POT AND PAN ORGANIZER - 90" HIGH | | | | | |
| OVS2790 BUTT BPP0 | 4 | DR1324 BUTT | 1 | S2724 | |
| | | | 1 | BPP0K24 | |
| OVS3090 BUTT BPP0 | 4 | DR1524 BUTT | 1 | S3024 | |
| | | | 1 | BPP0K27 | |
| OVS3390 BUTT BPP0 | 4 | DR1624 BUTT | 1 | S3324 | |
| | | | 1 | BPP0K30 | |
| SINGLE OVEN CABINETS WITH 4 BUTT DOORS AND 1 POT AND PAN ORGANIZER - 93" HIGH | | | | | |
| OVS2793 BUTT BPP0 | 2 | DR1327 BUTT | 2 | S2724 | |
| | 2 | DR1324 BUTT | 1 | BPP0K24 | |
| OVS3093 BUTT BPP0 | 2 | DR1527 BUTT | 2 | S3024 | |
| | 2 | DR1524 BUTT | 1 | BPP0K27 | |
| OVS3393 BUTT BPP0 | 2 | DR1627 BUTT | 2 | S3324 | |
| | 2 | DR1624 BUTT | 1 | BPP0K30 | |

| SKU | DOOR | | ADJUSTABLE SHELF/ACCESSORY | |
|--|---|-------------|----------------------------|------------|
| | Qty | Part Name | Qty | *Part Name |
| | *For All Plywood Construction, upgrade through construction options | | | |
| SINGLE OVEN CABINETS WITH 4 BUTT DOORS AND 1 POT AND PAN ORGANIZER - 96" HIGH | | | | |
| OVS2796 BUTT BPP0 | 2 | DRI330 BUTT | 2 | S2724 |
| | 2 | DRI324 BUTT | 1 | BPP0K24 |
| OVS3096 BUTT BPP0 | 2 | DRI530 BUTT | 2 | S3024 |
| | 2 | DRI524 BUTT | 1 | BPP0K27 |
| OVS3396 BUTT BPP0 | 2 | DRI630 BUTT | 2 | S3324 |
| | 2 | DRI624 BUTT | 1 | BPP0K30 |
| DOUBLE OVEN CABINETS WITH 2 BUTT DOORS AND NO DRAWER - 84" HIGH | | | | |
| OVD2784 BUTT NDWR | 2 | DRI318 BUTT | - | - |
| OVD3084 BUTT NDWR | 2 | DRI518 BUTT | - | - |
| OVD3384 BUTT NDWR | 2 | DRI618 BUTT | - | - |
| DOUBLE OVEN CABINETS WITH 2 BUTT DOORS AND NO DRAWER - 90" HIGH | | | | |
| OVD2790 AS BUTT NDWR | 2 | DRI324 BUTT | 1 | S2724 |
| OVD3090 AS BUTT NDWR | 2 | DRI524 BUTT | 1 | S3024 |
| OVD3390 AS BUTT NDWR | 2 | DRI624 BUTT | 1 | S3324 |
| DOUBLE OVEN CABINETS WITH 2 BUTT DOORS AND NO DRAWER - 93" HIGH | | | | |
| OVD2793 AS BUTT NDWR | 2 | DRI327 BUTT | 2 | S2724 |
| OVD3093 AS BUTT NDWR | 2 | DRI527 BUTT | 2 | S3024 |
| OVD3393 AS BUTT NDWR | 2 | DRI627 BUTT | 2 | S3324 |
| DOUBLE OVEN CABINETS WITH 2 BUTT DOORS AND NO DRAWER - 96" HIGH | | | | |
| OVD2796 AS BUTT NDWR | 2 | DRI330 BUTT | 2 | S2724 |
| OVD3096 AS BUTT NDWR | 2 | DRI530 BUTT | 2 | S3024 |
| OVD3396 AS BUTT NDWR | 2 | DRI630 BUTT | 2 | S3324 |

PARTS: TALL CABINETS

PARTS DIRECTORY: Vanity Cabinets

PARTS: VANITY CABINETS

| SKU | Qty | DOOR | | DRAWER/PANEL FRONT | |
|---|-----|--------------|-----|--------------------|-----|
| | | Part Name | Qty | Part Name | Qty |
| VANITY SINK BASE - 31 1/8" HIGH | | | | | |
| VSB15 | 1 | DR1521V | 1 | DDF15 | |
| VSB18 | 1 | DR1821V | 1 | DDF18 | |
| VSB21 | 1 | DR2121V | 1 | DDF21 | |
| VSB24 BUTT | 2 | DR1221V BUTT | 1 | DDF24 | |
| VSB27 BUTT | 2 | DR1321V BUTT | 1 | DDF27 | |
| VSB30 BUTT | 2 | DR1521V BUTT | 1 | DDF30 | |
| VSB33 BUTT | 2 | DR1621V BUTT | 1 | DDF33 | |
| VSB36 BUTT | 2 | DR1821V BUTT | 1 | DDF36 | |
| VSB39 | 2 | DR1921V | 2 | DDF19 | |
| VSB42 | 2 | DR2121V | 2 | DDF21 | |
| VSB48 | 2 | DR1521V | 2 | DDF15 | |
| | 1 | DR1821V | 1 | DDF18 | |
| VSB54 BUTT | 4 | DR1321V BUTT | 2 | DDF27 | |
| VSB60 BUTT | 4 | DR1521V BUTT | 2 | DDF30 | |
| VANITY SINK BASE - 18" DEEP X 31 1/8" HIGH | | | | | |
| VSB2418 BUTT | 2 | DR1221V BUTT | 1 | DDF24 | |
| VSB3018 BUTT | 2 | DR1521V BUTT | 1 | DDF30 | |
| VSB3618 BUTT | 2 | DR1821V BUTT | 1 | DDF36 | |
| VANITY SINK FRONT | | | | | |
| VSF21 | 1 | DR2121V | 1 | DDF21 | |
| VSF24 BUTT | 2 | DR1221V BUTT | 1 | DDF24 | |
| VSF30 BUTT | 2 | DR1521V BUTT | 1 | DDF30 | |
| VSF36 BUTT | 2 | DR1821V BUTT | 1 | DDF36 | |
| VSF39 | 2 | DR1921V | 2 | DDF19 | |
| VSF42 | 2 | DR2121V | 2 | DDF21 | |
| VSF48 | 2 | DR1521V | 2 | DDF15 | |
| | 1 | DR1821V | 1 | DDF18 | |
| VANITY SINK BASE - 34 1/2" HIGH | | | | | |
| VSB1534H | 1 | DR1524 | 1 | DDF15 | |
| VSB1834H | 1 | DR1824 | 1 | DDF18 | |
| VSB2134H | 1 | DR2124 | 1 | DDF21 | |
| VSB2434H BUTT | 2 | DR1224 BUTT | 1 | DDF24 | |
| VSB2734H BUTT | 2 | DR1324 BUTT | 1 | DDF27 | |
| VSB3034H BUTT | 2 | DR1524 BUTT | 1 | DDF30 | |
| VSB3334H BUTT | 2 | DR1624 BUTT | 1 | DDF33 | |
| VSB3634H BUTT | 2 | DR1824 BUTT | 1 | DDF36 | |
| VSB3934H | 2 | DR1924 | 2 | DDF19 | |
| VSB4234H | 2 | DR2124 | 2 | DDF21 | |
| VSB4834H | 2 | DR1524 | 2 | DDF15 | |
| | 1 | DR1824 | 1 | DDF18 | |
| VSB5434H BUTT | 4 | DR1324 BUTT | 2 | DDF27 | |
| VSB6034H BUTT | 4 | DR1524 BUTT | 2 | DDF30 | |
| VANITY SINK BASE - 18" DEEP X 34 1/2" HIGH | | | | | |
| VSB241834H BUTT | 2 | DR1224 BUTT | 1 | DDF24 | |
| VSB301834H BUTT | 2 | DR1524 BUTT | 1 | DDF30 | |
| VSB361834H BUTT | 2 | DR1824 BUTT | 1 | DDF36 | |

| SKU | Qty | DOOR | |
|---|-----|--------------|-----------------|
| | | Full Overlay | Partial Overlay |
| | | Part Name | Part Name |
| VANITY FULL-HEIGHT BASE · 34 1/2" HIGH | | | |
| VB1234H FH | 1 | DR12FH | DR1230 |
| VB1534H FH | 1 | DR15FH | DR1530 |
| VB1834H FH | 1 | DR18FH | DR1830 |
| VB2134H FH | 1 | DR21FH | DR2130 |
| VB2434H BUTT FH | 2 | DR12BUTT FH | DR1230 BUTT |
| VB3034H BUTT FH | 2 | DR15BUTT FH | DR1530 BUTT |
| VB3634H BUTT FH | 2 | DR18BUTT FH | DR1830 BUTT |

| SKU | Qty | DRAWER FRONT | | DRAWER BODY |
|--|-----|--------------|-----------------|----------------------|
| | | Full Overlay | Partial Overlay | |
| | | Part Name | Part Name | Part Name |
| STANDARD HEIGHT VANITY DRAWER BASE · 31 1/8" HIGH | | | | |
| VDB12 | 2 | DDF12 | DDF12 | DRB12 X 18DP DT FD |
| | 1 | DDF12VD | DDF12D | DRB12M X 18DP DT FD |
| VDB15 | 2 | DDF15 | DDF15 | DRB15 X 18DP DT FD |
| | 1 | DDF15VD | DDF15D | DRB15M X 18DP DT FD |
| VDB18 | 2 | DDF18 | DDF18 | DRB18 X 18DP DT FD |
| | 1 | DDF18VD | DDF18D | DRB18M X 18DP DT FD |
| VDB21 | 2 | DDF21 | DDF21 | DRB21 X 18DP DT FD |
| | 1 | DDF21VD | DDF21D | DRB21M X 18DP DT FD |
| VDB24 | 2 | DDF24 | DDF24 | DRB24 X 18DP DT FD |
| | 1 | DDF24VD | DDF24D | DRB24M X 18DP DT FD |
| BASE HEIGHT VANITY DRAWER BASE · 34 1/2" HIGH | | | | |
| VDB1234H | 1 | DDF12 | DDF12 | DRB12 X 18DP DT FD |
| | 2 | DDF12M | DDF12D | DRB12M X 18DP DT FD |
| VDB1534H | 1 | DDF15 | DDF15 | DRB15 X 18DP DT FD |
| | 2 | DDF15M | DDF15D | DRB15M X 18DP DT FD |
| VDB1834H | 1 | DDF18 | DDF18 | DRB18 X 18DP DT FD |
| | 2 | DDF18M | DDF18D | DRB18M X 18DP DT FD |
| VDB2134H | 1 | DDF21 | DDF21 | DRB21 X 18DP DT FD |
| | 2 | DDF21M | DDF21D | DRB21M X 18DP DT FD |
| VDB2434H | 1 | DDF24 | DDF24 | DRB24 X 18DP DT FD |
| | 2 | DDF24M | DDF24D | DRB24M X 18DP DT FD |
| KNEEHOLE DRAWER CABINET | | | | |
| KDC27/21 | 1 | DDFKDC27/21 | DDFKDC27/21 | DRBKDC27X 15DP DT FD |
| KDC33/27 | 1 | DDFKDC33/27 | DDFKDC33/27 | DRBKDC33X 15DP DT FD |
| KDC36/33 | 1 | DDFKDC36/33 | DDFKDC36/33 | DRBKDC36X 15DP DT FD |

PARTS: VANITY CABINETS

PARTS DIRECTORY: Vanity Cabinets

PARTS: VANITY CABINETS

| SKU | Qty | DOOR | | DRAWER BODY | | DRAWER/PANEL FRONT | |
|---|-----|--------------|-----|---------------------|-----|--------------------|-----------------|
| | | Part Name | Qty | *Part Name | Qty | Full Overlay | Partial Overlay |
| | | | | | | Part Name | Part Name |
| VANITY BASE - 31 1/8" HIGH | | | | | | | |
| VB12 | 1 | DR1221V | 1 | DRB12 X 18DP DT FD | 1 | DDF12 | DDF12 |
| VB15 | 1 | DR1521V | 1 | DRB15 X 18DP DT FD | 1 | DDF15 | DDF15 |
| VB18 | 1 | DR1821V | 1 | DRB18 X 18DP DT FD | 1 | DDF18 | DDF18 |
| VB21 | 1 | DR2121V | 1 | DRB21 X 18DP DT FD | 1 | DDF21 | DDF21 |
| VB24 BUTT | 2 | DR1221V BUTT | 1 | DRB24 X 18DP DT FD | 1 | DDF24 | DDF24 |
| VB27 BUTT | 2 | DR1321V BUTT | 1 | DRB27 X 18DP DT FD | 1 | DDF27 | DDF27 |
| VB30 BUTT | 2 | DR1521V BUTT | 1 | DRB30 X 18DP DT FD | 1 | DDF30 | DDF30 |
| VB33 BUTT | 2 | DR1621V BUTT | 1 | DRB33 X 18DP DT FD | 1 | DDF33 | DDF33 |
| VB36 BUTT | 2 | DR1821V BUTT | 1 | DRB36 X 18DP DT FD | 1 | DDF36 | DDF36 |
| VANITY SINK BASE WITH TOP DRAWERS - 31 1/8" HIGH | | | | | | | |
| VAN36 BUTT | 2 | DR1821V BUTT | 2 | DRB10 X 18DP DT FD | 3 | DDF12 | DDF12 |
| VAN39 | 2 | DR1921V | 2 | DRB12 X 18DP DT FD | 2 | DDF12 | DDF12 |
| | | | | | 1 | DDF15 | DDF15 |
| VAN42 | 2 | DR2121V | 2 | DRB12 X 18DP DT FD | 2 | DDF12 | DDF12 |
| | | | | | 1 | DDF18 | DDF18 |
| VAN48 | 2 | DR1521V | 2 | DRB15 X 18DP DT FD | 2 | DDF15 | DDF15 |
| | 1 | DR1821V | | | 1 | DDF18 | DDF18 |
| VAN54 BUTT | 2 | DR1221V | 2 | DRB12 X 18DP DT FD | 2 | DDF12 | DDF12 |
| | 2 | DR1521V BUTT | | | 1 | DDF30 | DDF30 |
| VAN60 BUTT | 2 | DR1521V | 2 | DRB15 X 18DP DT FD | 2 | DDF15 | DDF15 |
| | 2 | DR1521V BUTT | | | 1 | DDF30 | DDF30 |
| VANITY COMBO SINK BASE - 18" DEEP X 31 1/8" HIGH | | | | | | | |
| VSDB2418 | 1 | DR1221V | 1 | DRB12 X 15DP DT FD | 3 | DDF12 | DDF12 |
| | | | 1 | DRB12M X 15DP DT FD | 1 | DDF12VD | DDF12D |
| VSDB2718 | 1 | DR1521V | 1 | DRB12 X 15DP DT FD | 1 | DDF15 | DDF15 |
| | | | 1 | DRB12M X 15DP DT FD | 2 | DDF12 | DDF12 |
| | | | | | 1 | DDF12VD | DDF12D |
| VSDB3018 | 1 | DR1821V | 1 | DRB12 X 15DP DT FD | 1 | DDF18 | DDF18 |
| | | | 1 | DRB12M X 15DP DT FD | 2 | DDF12 | DDF12 |
| | | | | | 1 | DDF12VD | DDF12D |
| VSDB3318 | 1 | DR2121V | 1 | DRB12 X 15DP DT FD | 1 | DDF21 | DDF21 |
| | | | 1 | DRB12M X 15DP DT FD | 2 | DDF12 | DDF12 |
| | | | | | 1 | DDF12VD | DDF12D |
| VSDB3618 | 1 | DR2121V | 1 | DRB15 X 15DP DT FD | 1 | DDF21 | DDF21 |
| | | | 1 | DRB15M X 15DP DT FD | 2 | DDF15 | DDF15 |
| | | | | | 1 | DDF15VD | DDF15D |

| SKU | Qty | DOOR | | DRAWER BODY | | | DRAWER/PANEL FRONT | |
|--|-----|--------------|-----|---------------------|-----|--------------|--------------------|--|
| | | Part Name | Qty | *Part Name | Qty | Full Overlay | Partial Overlay | |
| | | | | | | Part Name | Part Name | |
| VANITY COMBO SINK BASE - 31 1/8" HIGH | | | | | | | | |
| VSDB24 | 1 | DRI22IV | 1 | DRB12 X 18DP DT FD | 3 | DDF12 | DDF12 | |
| | | | 1 | DRB12M X 18DP DT FD | 1 | DDF12VD | DDF12D | |
| VSDB27 | 1 | DRI52IV | 1 | DRB12 X 18DP DT FD | 1 | DDF15 | DDF15 | |
| | | | 1 | DRB12M X 18DP DT FD | 2 | DDF12 | DDF12 | |
| | | | | | 1 | DDF12VD | DDF12D | |
| VSDB30 | 1 | DRI82IV | 1 | DRB12 X 18DP DT FD | 1 | DDF18 | DDF18 | |
| | | | 1 | DRB12M X 18DP DT FD | 2 | DDF12 | DDF12 | |
| | | | | | 1 | DDF12VD | DDF12D | |
| VSDB33 | 1 | DR212IV | 1 | DRB12 X 18DP DT FD | 1 | DDF21 | DDF21 | |
| | | | 1 | DRB12M X 18DP DT FD | 2 | DDF12 | DDF12 | |
| | | | | | 1 | DDF12VD | DDF12D | |
| VSDB36 | 1 | DR212IV | 1 | DRB15 X 18DP DT FD | 1 | DDF21 | DDF21 | |
| | | | 1 | DRB15M X 18DP DT FD | 2 | DDF15 | DDF15 | |
| | | | | | 1 | DDF15VD | DDF15D | |
| VSDB42 BUTT | 2 | DRI52IV BUTT | 2 | DRB12 X 18DP DT FD | 1 | DDF30 | DDF30 | |
| | | | 1 | DRB12M X 18DP DT FD | 2 | DDF12 | DDF12 | |
| | | | | | 1 | DDF12VD | DDF12D | |
| VSDB48D BUTT | 2 | DRI22IV BUTT | 4 | DRB12 X 18DP DT FD | 1 | DDF24 | DDF24 | |
| | | | 2 | DRB12M X 18DP DT FD | 4 | DDF12 | DDF12 | |
| | | | | | 2 | DDF12VD | DDF12D | |
| VSDB54D BUTT | 2 | DRI22IV BUTT | 4 | DRB15 X 18DP DT FD | 1 | DDF24 | DDF24 | |
| | | | 2 | DRB15M X 18DP DT FD | 4 | DDF15 | DDF15 | |
| | | | | | 2 | DDF15VD | DDF15D | |
| VSDB60C BUTT | 4 | DRI22IV BUTT | 2 | DRB12 X 18DP DT FD | 2 | DDF24 | DDF24 | |
| | | | 1 | DRB12M X 18DP DT FD | 2 | DDF12 | DDF12 | |
| | | | | | 1 | DDF12VD | DDF12D | |
| VSDB60D BUTT | 2 | DRI52IV BUTT | 4 | DRB15 X 18DP DT FD | 1 | DDF30 | DDF30 | |
| | | | 2 | DRB15M X 18DP DT FD | 4 | DDF15 | DDF15 | |
| | | | | | 2 | DDF15VD | DDF15D | |
| VANITY BASE - 34 1/2" HIGH | | | | | | | | |
| VB1234H | 1 | DRI224 | 1 | DRB12 X 18DP DT FD | 1 | DDF12 | DDF12 | |
| VB1534H | 1 | DRI524 | 1 | DRB15 X 18DP DT FD | 1 | DDF15 | DDF15 | |
| VB1834H | 1 | DRI824 | 1 | DRB18 X 18DP DT FD | 1 | DDF18 | DDF18 | |
| VB2134H | 1 | DR2124 | 1 | DRB21 X 18DP DT FD | 1 | DDF21 | DDF21 | |
| VB2434H BUTT | 2 | DRI224 BUTT | 1 | DRB24 X 18DP DT FD | 1 | DDF24 | DDF24 | |
| VB2734H BUTT | 2 | DRI324 BUTT | 1 | DRB27 X 18DP DT FD | 1 | DDF27 | DDF27 | |
| VB3034H BUTT | 2 | DRI524 BUTT | 1 | DRB30 X 18DP DT FD | 1 | DDF30 | DDF30 | |
| VB3334H BUTT | 2 | DRI624 BUTT | 1 | DRB33 X 18DP DT FD | 1 | DDF33 | DDF33 | |
| VB3634H BUTT | 2 | DRI824 BUTT | 1 | DRB36 X 18DP DT FD | 1 | DDF36 | DDF36 | |

PARTS: VANITY CABINETS

P37 PARTS DIRECTORY: Vanity Cabinets

PARTS: VANITY CABINETS

| SKU | Qty | DOOR | | DRAWER BODY OR ACCESSORY | | DRAWER/PANEL FRONT | |
|---|-----|-------------|-----|---|-----|--------------------|-----------------|
| | | Part Name | Qty | *Part Name | Qty | Full Overlay | Partial Overlay |
| | | | | | | Part Name | Part Name |
| VANITY BASE WITH BOTTOM MOUNT WASTEBASKET - 34 1/2" HIGH | | | | | | | |
| VWBB1834H | 1 | DRI824 ND | 1 | DRB18 X 18DP DT FD VWBB1834H _OL KIT | 1 | DDF18 | DDF18 |
| VANITY SINK BASE WITH TOP DRAWERS - 34 1/2" HIGH | | | | | | | |
| VAN3634H BUTT | 2 | DRI824 BUTT | 2 | DRB10 X 18DP DT FD | 3 | DDF12 | DDF12 |
| VAN3934H | 2 | DR1924 | 2 | DRB12 X 18DP DT FD | 2 | DDF12 | DDF12 |
| | | | | | 1 | DDF15 | DDF15 |
| VAN4234H | 2 | DR2124 | 2 | DRB12 X 18DP DT FD | 2 | DDF12 | DDF12 |
| | | | | | 1 | DDF18 | DDF18 |
| VAN4834H | 2 | DRI524 | 2 | DRB15 X 18DP DT FD | 2 | DDF15 | DDF15 |
| | 1 | DRI824 | | | 1 | DDF18 | DDF18 |
| VAN5434H BUTT | 2 | DR1224 | 2 | DRB12 X 18DP DT FD | 2 | DDF12 | DDF12 |
| | 2 | DRI524 BUTT | | | 1 | DDF30 | DDF30 |
| VAN6034H BUTT | 2 | DRI524 | 2 | DRB15 X 18DP DT FD | 2 | DDF15 | DDF15 |
| | 2 | DRI524 BUTT | | | 1 | DDF30 | DDF30 |
| VANITY COMBO SINK BASE - 18" DEEP X 34 1/2" HIGH | | | | | | | |
| VSDB241834H | 1 | DR1224 | 2 | DRB12M X 15DP DT FD | 2 | DDF12 | DDF12 |
| | | | | | 2 | DDF12M | DDF12D |
| VSDB271834H | 1 | DRI524 | 2 | DRB12M X 15DP DT FD | 1 | DDF15 | DDF15 |
| | | | | | 1 | DDF12 | DDF12 |
| | | | | | 2 | DDF12M | DDF12D |
| VSDB301834H | 1 | DRI824 | 2 | DRB12M X 15DP DT FD | 1 | DDF18 | DDF18 |
| | | | | | 1 | DDF12 | DDF12 |
| | | | | | 2 | DDF12M | DDF12D |
| VSDB331834H | 1 | DR2124 | 2 | DRB12M X 15DP DT FD | 1 | DDF21 | DDF21 |
| | | | | | 1 | DDF12 | DDF12 |
| | | | | | 2 | DDF12M | DDF12D |
| VSDB361834H | 1 | DR2124 | 2 | DRB15M X 15DP DT FD | 1 | DDF21 | DDF21 |
| | | | | | 1 | DDF15 | DDF15 |
| | | | | | 2 | DDF15M | DDF15D |

| SKU | Qty | DOOR | | DRAWER BODY | | DRAWER/PANEL FRONT | |
|--|-----|-------------|-----|---------------------|-----|--------------------|-----------------|
| | | Part Name | Qty | *Part Name | Qty | Full Overlay | Partial Overlay |
| | | | | | | Part Name | Part Name |
| VANITY COMBO SINK BASE - 34 1/2" HIGH | | | | | | | |
| VSDB2434H | 1 | DR1224 | 2 | DRB12M X 18DP DT FD | 2 | DDF12 | DDF12 |
| | | | | | 2 | DDF12M | DDF12D |
| VSDB2734H | 1 | DR1524 | 2 | DRB12M X 18DP DT FD | 1 | DDF15 | DDF15 |
| | | | | | 1 | DDF12 | DDF12 |
| | | | | | 2 | DDF12M | DDF12D |
| VSDB3034H | 1 | DR1824 | 2 | DRB12M X 18DP DT FD | 1 | DDF18 | DDF18 |
| | | | | | 1 | DDF12 | DDF12 |
| | | | | | 2 | DDF12M | DDF12D |
| VSDB3334H | 1 | DR2124 | 2 | DRB12M X 18DP DT FD | 1 | DDF21 | DDF21 |
| | | | | | 1 | DDF12 | DDF12 |
| | | | | | 2 | DDF12M | DDF12D |
| VSDB3634H | 1 | DR2124 | 2 | DRB15M X 18DP DT FD | 1 | DDF21 | DDF21 |
| | | | | | 1 | DDF15 | DDF15 |
| | | | | | 2 | DDF15M | DDF15D |
| VSDB3934H | 1 | DR2124 | 2 | DRB18M X 18DP DT FD | 1 | DDF21 | DDF21 |
| | | | | | 1 | DDF18 | DDF18 |
| | | | | | 2 | DDF18M | DDF18D |
| VSDB4234H BUTT | 2 | DR1524 BUTT | 1 | DRB12 X 18DP DT FD | 1 | DDF30 | DDF30 |
| | | | 2 | DRB12M X 18DP DT FD | 1 | DDF12 | DDF12 |
| | | | | | 2 | DDF12M | DDF12D |
| VSDB4834HD BUTT | 2 | DR1224 BUTT | 2 | DRB12 X 18DP DT FD | 1 | DDF24 | DDF24 |
| | | | 4 | DRB12M X 18DP DT FD | 2 | DDF12 | DDF12 |
| | | | | | 4 | DDF12M | DDF12D |
| VSDB5434HD BUTT | 2 | DR1224 BUTT | 2 | DRB15 X 18DP DT FD | 1 | DDF24 | DDF24 |
| | | | 4 | DRB15M X 18DP DT FD | 2 | DDF15 | DDF15 |
| | | | | | 4 | DDF15M | DDF15D |
| VSDB6034HC BUTT | 4 | DR1224 BUTT | 1 | DRB12 X 18DP DT FD | 2 | DDF24 | DDF24 |
| | | | 2 | DRB12M X 18DP DT FD | 1 | DDF12 | DDF12 |
| | | | | | 2 | DDF12M | DDF12D |
| VSDB6034HD BUTT | 2 | DR1524 BUTT | 2 | DRB15 X 18DP DT FD | 1 | DDF30 | DDF30 |
| | | | 4 | DRB15M X 18DP DT FD | 2 | DDF15 | DDF15 |
| | | | | | 4 | DDF15M | DDF15D |

PARTS: VANITY CABINETS

P39 PARTS DIRECTORY: Vanity Linen Cabinets

| SKU | Qty | DOOR | SPECIALTY DOOR | DECORATIVE GLASS | Qty | ADJUSTABLE SHELF/ACCESSORY |
|---|--------|----------------------------|---|------------------|--------|---|
| | | | Specialty doors require a specialty door selection. | | | *For All Plywood Construction, upgrade through construction options |
| | | Part Name | Part Name | Part Name | | *Part Name |
| VANITY LINEN CABINETS - WITH ADJUSTABLE SHELVES | | | | | | |
| VLC122184 AS | 1 1 | DR1230 DR1250 | DR1230 SD | DGI-1230 | 5 | S1221 |
| VLC152184 AS | 1 1 | DR1530 DR1550 | DR1530 SD | DGI-1530 | 5 | S1521 |
| VLC182184 AS | 1 1 | DR1830 DR1850 | DR1830 SD | DGI-1830 | 5 | S1821 |
| VLC242184 AS BUTT | 2 2 | DR1230 BUTT DR1250 BUTT | DR1230 BUTT SD | DGI-1230 BUTT | 5 | S2421 |
| VANITY LINEN CABINETS - WITH DEEP ROLL OUT TRAYS | | | | | | |
| VLC122184 4ROT | 1 1 | DR1230 DR1250 | DR1230 SD | DGI-1230 | 1 4 | S1221 DROT1221 |
| VLC152184 4ROT | 1 1 | DR1530 DR1550 | DR1530 SD | DGI-1530 | 1 4 | S1521 DROT1521 |
| VLC182184 4ROT | 1 1 | DR1830 DR1850 | DR1830 SD | DGI-1830 | 1 4 | S1821 DROT1821 |
| VLC242184 4ROT BUTT | 2 2 | DR1230 BUTT DR1250 BUTT | DR1230 BUTT SD | DGI-1230 BUTT | 1 4 | S2421 DROT2421 |
| MEDICINE CABINET | | | | | | |
| MC1530 | 1 | DR1530 | - | - | 2 | MC SHELF |
| MCM1530 | 1 | DRMCM1530 | - | - | 2 | MC SHELF |
| TRI-VIEW MIRROR | | | | | | |
| TV3030 | 3 | MIRROR TV3030 | - | - | 3 3 | TV30 SHELF 9 TV30 SHELF 18 |
| TV3630 | 3 | MIRROR TV3630 | - | - | 3 3 | TV36 SHELF 11 TV36 SHELF 22 |
| VALET CABINET | | | | | | |
| VC2436 BUTT | 2 | DR1224 BUTT | - | - | - | - |

PARTS: VANITY CABINETS

| SKU | Qty | DOOR | | ADJUSTABLE SHELF/ACCESSORY | |
|--|-----|-------------|-----|----------------------------|--|
| | | Part Name | Qty | *Part Name | |
| UNIVERSAL DESIGN BASE | | | | | |
| B24 UD BUTT | 2 | DR1224 BUTT | 1 | 24" SHELF 24DP 3/4 | |
| B27 UD BUTT | 2 | DR1324 BUTT | 1 | 27" SHELF 24DP 3/4 | |
| B30 UD BUTT | 2 | DR1524 BUTT | 1 | 30" SHELF 24DP 3/4 | |
| B33 UD BUTT | 2 | DR1624 BUTT | 1 | 33" SHELF 24DP 3/4 | |
| B36 UD BUTT | 2 | DR1824 BUTT | 1 | 36" SHELF 24DP 3/4 | |
| B39 UD | 2 | DR1924 | 1 | 39" SHELF 24DP 3/4 | |
| B42 UD | 2 | DR2124 | 1 | 42" SHELF 24DP 3/4 | |
| B45 UD | 3 | DR1524 BUTT | 1 | 45" SHELF 24DP 3/4 | |
| UNIVERSAL DESIGN BASE CABINET - TWO FULL-ACCESS DEEP ROLL OUT TRAYS | | | | | |
| B12 2FWT UD | 1 | DR1224 | 2 | DROT12 | |
| B15 2FWT UD | 1 | DR1524 | 2 | DROT15 | |
| B18 2FWT UD | 1 | DR1824 | 2 | DROT18 | |
| B21 2FWT UD | 1 | DR2124 | 2 | DROT21 | |
| B24 2FWT UD BUTT | 2 | DR1224 BUTT | 2 | DROT24 | |
| UNIVERSAL DESIGN CORNER BASE SUSAN | | | | | |
| CBS36 UD | 1 | DR1524 | 1 | CBS SHELF RAS | |
| UNIVERSAL DESIGN SINK BASE CABINET | | | | | |
| SB30 BUTT UD | 2 | DR1524 BUTT | - | N/A | |
| SB33 BUTT UD | 2 | DR1624 BUTT | - | N/A | |
| SB36 BUTT UD | 2 | DR1824 BUTT | - | N/A | |

| SKU | Qty | DRAWER / PANEL FRONT | | DRAWER BODY | |
|---|-----|----------------------|-----|--------------------|--|
| | | Part Name | Qty | Part Name | |
| UNIVERSAL DESIGN BASE MULTI-USE | | | | | |
| BMU30 UD | 1 | DDF30 | 1 | DRB30 X 21DP DT FD | |
| UNIVERSAL DESIGN BASE PLUMBING SKIRT | | | | | |
| BPS30 UD | 1 | DDFKDC33/27 | - | - | |
| BPS36 UD | 1 | DDFKDC36/33 | - | - | |
| UNIVERSAL DESIGN DRAWER BASE | | | | | |
| DB12 UD | 2 | DDF12 | 1 | DRB12 X 21DP DT FD | |
| DB15 UD | 2 | DDF15 | 1 | DRB15 X 21DP DT FD | |
| DB18 UD | 2 | DDF18 | 1 | DRB18 X 21DP DT FD | |
| DB21 UD | 2 | DDF21 | 1 | DRB21 X 21DP DT FD | |
| DB24 UD | 2 | DDF24 | 1 | DRB24 X 21DP DT FD | |
| UNIVERSAL DESIGN VANITY PLUMBING SKIRT | | | | | |
| VPS30 UD | 1 | DDFKDC33/27 | - | - | |
| VPS36 UD | 1 | DDFKDC36/33 | - | - | |

P41 PARTS DIRECTORY: Desk Cabinets

| SKU | Qty | DOOR/DRAWER FRONT | | DRAWER BODY OR ACCESSORY |
|--|-----|-------------------|-----------------|--------------------------|
| | | Full Overlay | Partial Overlay | |
| | | Part Name | Part Name | Part Name |
| DESK FILE PULL OUT CABINET | | | | |
| DFDC1821 | 1 | DDF18 | DDF18 | DRB18 X 18DP DT FD |
| | 1 | DR1818 ND | DR1818 ND | DRB18M X 18DP DT FD |
| | 1 | - | - | DFDC FILE UNIT 21 |
| DFDC1824 | 1 | DDF18 | DDF18 | DRB18 X 21DP DT FD |
| | 1 | DR1818 ND | DR1818 ND | DRB18M X 18DP DT FD |
| | 1 | - | - | DFDC FILE UNIT 24 |
| DESK DRAWER BASE CABINET - 21" DEEP | | | | |
| DDR1221 | 2 | DDF12 | DDF12 | DRB12 X 18DP DT FD |
| | 1 | DDF12M | DDF12D | DRB12M X 18DP DT FD |
| DDR1521 | 2 | DDF15 | DDF15 | DRB15 X 18DP DT FD |
| | 1 | DDF15M | DDF15D | DRB15M X 18DP DT FD |
| DDR1821 | 2 | DDF18 | DDF18 | DRB18 X 18DP DT FD |
| | 1 | DDF18M | DDF18D | DRB18M X 18DP DT FD |
| DDR2121 | 2 | DDF21 | DDF21 | DRB21 X 18DP DT FD |
| | 1 | DDF21M | DDF21D | DRB21M X 18DP DT FD |
| DDR2421 | 2 | DDF24 | DDF24 | DRB24 X 18DP DT FD |
| | 1 | DDF24M | DDF24D | DRB24M X 18DP DT FD |
| DESK DRAWER BASE CABINET - 24" DEEP | | | | |
| DDR1224 | 2 | DDF12 | DDF12 | DRB12 X 21DP DT FD |
| | 1 | DDF12M | DDF12D | DRB12M X 21DP DT FD |
| DDR1524 | 2 | DDF15 | DDF15 | DRB15 X 21DP DT FD |
| | 1 | DDF15M | DDF15D | DRB15M X 21DP DT FD |
| DDR1824 | 2 | DDF18 | DDF18 | DRB18 X 21DP DT FD |
| | 1 | DDF18M | DDF18D | DRB18M X 21DP DT FD |
| DDR2124 | 2 | DDF21 | DDF21 | DRB21 X 21DP DT FD |
| | 1 | DDF21M | DDF21D | DRB21M X 21DP DT FD |
| DDR2424 | 2 | DDF24 | DDF24 | DRB24 X 21DP DT FD |
| | 1 | DDF24M | DDF24D | DRB24M X 21DP DT FD |
| DESK WITH BOTTOM MOUNT WASTEBASKET(S) | | | | |
| DWBB1821 | 1 | DR1824 ND | DR1824 ND | DWBB1821 _OL KIT |
| DWBB1824 | 1 | DR1824 ND | DR1824 ND | DWBB1824 _OL KIT |

PARTS: DESK CABINETS

| SKU | Qty | DOOR | Qty | ADJUSTABLE SHELF/ACCESSORY | Qty | DRAWER/PANEL FRONT | Qty | DRAWER BODY |
|-----------------------------|-----|-------------|-----|---|-----|--------------------|-----|--------------------|
| | | | | *For All Plywood Construction Adjustable Shelf, refer to Parts Directory legend | | | | |
| | | Part Name | | *Part Name | | Part Name | | Part Name |
| DESK DOOR - 21" DEEP | | | | | | | | |
| DD01221 | 1 | DR1218 | 1 | 12" SHELF 21DP 3/4 | 1 | DDF12 | 1 | DRB12 X 18DP DT FD |
| DD01521 | 1 | DR1518 | 1 | 15" SHELF 21DP 3/4 | 1 | DDF15 | 1 | DRB15 X 18DP DT FD |
| DD01821 | 1 | DR1818 | 1 | 18" SHELF 21DP 3/4 | 1 | DDF18 | 1 | DRB18 X 18DP DT FD |
| DD02121 | 1 | DR2118 | 1 | 21" SHELF 21DP 3/4 | 1 | DDF21 | 1 | DRB21 X 18DP DT FD |
| DD02421 BUTT | 2 | DR1218 BUTT | 1 | 24" SHELF 21DP 3/4 | 1 | DDF24 | 1 | DRB24 X 18DP DT FD |
| DESK DOOR - 24" DEEP | | | | | | | | |
| DD01224 | 1 | DR1218 | 1 | 12" SHELF 24DP 3/4 | 1 | DDF12 | 1 | DRB12 X 21DP DT FD |
| DD01524 | 1 | DR1518 | 1 | 15" SHELF 24DP 3/4 | 1 | DDF15 | 1 | DRB15 X 21DP DT FD |
| DD01824 | 1 | DR1818 | 1 | 18" SHELF 24DP 3/4 | 1 | DDF18 | 1 | DRB18 X 21DP DT FD |
| DD02124 | 1 | DR2118 | 1 | 21" SHELF 24DP 3/4 | 1 | DDF21 | 1 | DRB21 X 21DP DT FD |
| DD02424 BUTT | 2 | DR1218 BUTT | 1 | 24" SHELF 24DP 3/4 | 1 | DDF24 | 1 | DRB24 X 21DP DT FD |

| SKU | Qty | DECORATOR MATCHING DOOR | |
|--|-----|-------------------------|-----------------|
| | | Full Overlay | Partial Overlay |
| | | Part Name | Part Name |
| DECORATOR MATCHING BASE DOORS | | | |
| DMDB | 1 | DR24FH ND | DR2430 ND |
| DMDBEA12 | 1 | DR12FH ND | DR1230 ND |
| DECORATOR MATCHING DESK DOORS | | | |
| DMDD21 | 1 | DR2124 ND | DR2124 ND |
| DMDD24 | 1 | DR2424 ND | DR2424 ND |
| DECORATOR MATCHING TALL DOORS | | | |
| DMDT8412 | 1 | DR1230 ND | DR1230 ND |
| | 1 | DR1250 ND | DR1250 ND |
| DMDT8424 | 2 | DR1230 ND | DR1230 ND |
| | 2 | DR1250 ND | DR1250 ND |
| DMDT9012 | 1 | DR1236 ND | DR1236 ND |
| | 1 | DR1250 ND | DR1250 ND |
| DMDT9024 | 2 | DR1236 ND | DR1236 ND |
| | 2 | DR1250 ND | DR1250 ND |
| DMDT9312 | 1 | DR1239 ND | DR1239 ND |
| | 1 | DR1250 ND | DR1250 ND |
| DMDT9324 | 2 | DR1239 ND | DR1239 ND |
| | 2 | DR1250 ND | DR1250 ND |
| DMDT9612 | 1 | DR1242 ND | DR1242 ND |
| | 1 | DR1250 ND | DR1250 ND |
| DMDT9624 | 2 | DR1242 ND | DR1242 ND |
| | 2 | DR1250 ND | DR1250 ND |
| DECORATOR MATCHING WALL DOORS | | | |
| DMDW18 | 1 | DR1218 ND | DR1218 ND |
| DMDW24 | 1 | DR1224 ND | DR1224 ND |
| DMDW30 | 1 | DR1230 ND | DR1230 ND |
| DMDW36 | 1 | DR1236 ND | DR1236 ND |
| DMDW39 | 1 | DR1239 ND | DR1239 ND |
| DMDW42 | 1 | DR1242 ND | DR1242 ND |
| DECORATOR MATCHING VANITY DOORS | | | |
| DMDV | 1 | DR2121 ND | DR2121 ND |
| | 1 | DDF21 | DDF21 |

PARTS: DECORATOR MATCHING DOORS

| DOOR DIMENSIONS | | |
|-----------------|---|---------------------|
| PART NAME | Standard, Specialty (SD) & No-Drill (ND) Doors are the same dimension | |
| | Full Overlay | Partial Overlay |
| 12" HIGH | | |
| DR1212 BUTT | 11 9/16" x 11 1/2" | 9 7/8" x 10" |
| DR1512 BUTT | 14 23/32" x 11 1/2" | 13 15/16" x 10" |
| DR1612 BUTT | 16 7/32" x 11 1/2" | 15 7/16" x 10" |
| DR1812 BUTT | 17 23/32" x 11 1/2" | 16 15/16" x 10" |
| DR1912 | 19 1/16" x 11 1/2" | 17 3/8" x 10" |
| DR2112 | 20 9/16" x 11 1/2" | 18 7/8" x 10" |
| 15" HIGH | | |
| DR1315 BUTT | 13 7/32" x 14 1/2" | 12 7/16" x 13" |
| DR1515 BUTT | 14 23/32" x 14 1/2" | 13 15/16" x 13" |
| DR1615 BUTT | 16 7/32" x 14 1/2" | 15 7/16" x 13" |
| DR1815 BUTT | 17 23/32" x 14 1/2" | 16 15/16" x 13" |
| DR1915 | 19 1/16" x 14 1/2" | 17 3/8" x 13" |
| DR3015 WTH | 29 1/2" x 14 9/16" | 28" x 12 7/8" |
| DR3615 WTH | 35 1/2" x 14 9/16" | 34" x 12 7/8" |
| 18" HIGH | | |
| DR1218 | 11 9/16" x 17 1/2" | 9 7/8" x 16" |
| DR1218 BUTT | 11 23/32" x 17 1/2" | 10 15/16" x 16" |
| DR1318 BUTT | 13 7/32" x 17 1/2" | 12 7/16" x 16" |
| DR1518 | 14 9/16" x 17 1/2" | 12 7/8" x 16" |
| DR1518 BUTT | 14 23/32" x 17 1/2" | 13 15/16" x 16" |
| DR1618 BUTT | 16 7/32" x 17 1/2" | 15 7/16" x 16" |
| DR1818 | 17 9/16" x 17 1/2" | 15 7/8" x 16" |
| DR1818 BUTT | 17 23/32" x 17 1/2" | 16 15/16" x 16" |
| DR1918 | 19 1/16" x 17 1/2" | 17 3/8" x 16" |
| DR2118 | 20 9/16" x 17 1/2" | 18 7/8" x 16" |
| DR3018 WTH | 29 1/2" x 17 9/16" | 28" x 15 7/8" |
| DR3618 WTH | 35 1/2" x 17 9/16" | 34" x 15 7/8" |
| 21" HIGH | | |
| DR1221V | 11 9/16" x 20" | 9 7/8" x 18 1/2" |
| DR1221V BUTT | 11 23/32" x 20" | 10 15/16" x 18 1/2" |
| DR1321V BUTT | 13 7/32" x 20" | 12 7/16" x 18 1/2" |
| DR1521 BUTT | 14 23/32" x 20" | 13 15/16" x 18 1/2" |
| DR1521V | 14 9/16" x 20" | 12 7/8" x 18 1/2" |
| DR1521V BUTT | 14 23/32" x 20" | 13 15/16" x 18 1/2" |
| DR1621 BUTT | 16 7/32" x 20" | 15 7/16" x 18 1/2" |
| DR1621V BUTT | 16 7/32" x 20" | 15 7/16" x 18 1/2" |
| DR1821 BUTT | 17 23/32" x 20" | 16 5/16" x 18 1/2" |
| DR1821V | 17 9/16" x 20" | 15 7/8" x 18 1/2" |
| DR1821V BUTT | 17 23/32" x 20" | 16 15/16" x 18 1/2" |
| DR1921 | 19 1/16" x 20" | 17 3/8" x 18 1/2" |
| DR1921V | 19 1/16" x 20" | 17 3/8" x 18 1/2" |
| DR2121V | 20 9/16" x 20" | 18 7/8" x 18 1/2" |
| 24" HIGH | | |
| DR1224 | 11 9/16" x 23 7/8" | 9 7/8" x 22 3/8" |
| DR1224 BUTT | 11 23/32" x 23 7/8" | 10 15/16" x 22 3/8" |
| DR1324 BUTT | 13 7/32" x 23 7/8" | 12 7/16" x 22 3/8" |
| DR1524 | 14 9/16" x 23 7/8" | 12 7/8" x 22 3/8" |
| DR1524 BUTT | 14 23/32" x 23 7/8" | 13 15/16" x 22 3/8" |
| DR1624 BUTT | 16 7/32" x 23 7/8" | 15 7/16" x 22 3/8" |
| DR1824 | 17 9/16" x 23 7/8" | 15 7/8" x 22 3/8" |
| DR1824 BUTT | 17 23/32" x 23 7/8" | 16 15/16" x 22 3/8" |
| DR1924 | 19 1/16" x 23 7/8" | 17 3/8" x 22 3/8" |
| DR2124 | 20 9/16" x 23 7/8" | 18 7/8" x 22 3/8" |
| DR2424 | 23 9/16" x 23 7/8" | 21 7/8" x 22 3/8" |

| DOOR DIMENSIONS | | |
|------------------|---|-----------------|
| PART NAME | Standard, Specialty (SD) & No-Drill (ND) Doors are the same dimension | |
| | Full Overlay | Partial Overlay |
| 27" HIGH | | |
| DR1327 BUTT | 13 7/32" x 26 1/2" | 12 7/16" x 25" |
| DR1527 BUTT | 14 23/32" x 26 1/2" | 13 15/16" x 25" |
| DR1627 BUTT | 16 7/32" x 26 1/2" | 15 7/16" x 25" |
| 30" HIGH | | |
| DR930 | 8 9/16" x 29 1/2" | 6 7/8" x 28" |
| DR930 BER DRILL | 7 3/4" x 29 7/8" | 7" x 28" |
| DR930 BER ND | 7 3/4" x 29 7/8" | 7" x 28" |
| DR1230 | 11 9/16" x 29 1/2" | 9 7/8" x 28" |
| DR1230 BUTT | 11 23/32" x 29 1/2" | 10 15/16" x 28" |
| DR1230 WER DRILL | 10 3/4" x 29 1/2" | 10" x 28" |
| DR1230 WER ND | 10 3/4" x 29 1/2" | 10" x 28" |
| DR1230 BER ND | 10 3/4" x 29 7/8" | 10" x 28" |
| DR1230 BER DRILL | 10 3/4" x 29 7/8" | 10" x 28" |
| DR1330 BUTT | 13 7/32" x 29 1/2" | 12 7/16" x 28" |
| DR1530 | 14 9/16" x 29 1/2" | 12 7/8" x 28" |
| DR1530 BUTT | 14 23/32" x 29 1/2" | 13 15/16" x 28" |
| DR1630 BUTT | 16 7/32" x 29 1/2" | 15 7/16" x 28" |
| DR1830 | 17 9/16" x 29 1/2" | 15 7/8" x 28" |
| DR1830 BUTT | 17 23/32" x 29 1/2" | 16 15/16" x 28" |
| DR1930 | 19 1/16" x 29 1/2" | 17 3/8" x 28" |
| DR2130 | 20 9/16" x 29 1/2" | 18 7/8" x 28" |
| DR2430 | 23 9/16" x 29 1/2" | 21 7/8" x 28" |
| 36" HIGH | | |
| DR936 | 8 9/16" x 35 1/2" | 6 7/8" x 34" |
| DR1236 | 11 9/16" x 35 1/2" | 9 7/8" x 34" |
| DR1236 BUTT | 11 23/32" x 35 1/2" | 10 15/16" x 34" |
| DR1236 WER DRILL | 10 3/4" x 35 1/2" | 10" x 34" |
| DR1236 WER ND | 10 3/4" x 35 1/2" | 10" x 34" |
| DR1336 BUTT | 13 7/32" x 35 1/2" | 12 7/16" x 34" |
| DR1536 | 14 9/16" x 35 1/2" | 12 7/8" x 34" |
| DR1536 BUTT | 14 23/32" x 35 1/2" | 13 15/16" x 34" |
| DR1636 BUTT | 16 7/32" x 35 1/2" | 15 7/16" x 34" |
| DR1836 | 17 9/16" x 35 1/2" | 15 7/8" x 34" |
| DR1836 BUTT | 17 23/32" x 35 1/2" | 16 15/16" x 34" |
| DR1936 | 19 1/16" x 35 1/2" | 17 3/8" x 34" |
| DR2136 | 20 9/16" x 35 1/2" | 18 7/8" x 34" |
| 39" HIGH | | |
| DR939 | 8 9/16" x 38 1/2" | 6 7/8" x 37" |
| DR1239 | 11 9/16" x 38 1/2" | 9 7/8" x 37" |
| DR1239 BUTT | 11 23/32" x 38 1/2" | 10 15/16" x 37" |
| DR1239 WER DRILL | 10 3/4" x 38 1/2" | 10" x 37" |
| DR1239 WER ND | 10 3/4" x 38 1/2" | 10" x 37" |
| DR1339 BUTT | 13 7/32" x 38 1/2" | 12 7/16" x 37" |
| DR1539 | 14 9/16" x 38 1/2" | 12 7/8" x 37" |
| DR1539 BUTT | 14 23/32" x 38 1/2" | 13 15/16" x 37" |
| DR1639 BUTT | 16 7/32" x 38 1/2" | 15 7/16" x 37" |
| DR1839 | 17 9/16" x 38 1/2" | 15 7/8" x 37" |
| DR1839 BUTT | 17 23/32" x 38 1/2" | 16 15/16" x 37" |
| DR2139 | 20 9/16" x 38 1/2" | 18 7/8" x 37" |

| DOOR DIMENSIONS | | |
|-------------------------------|---|---------------------|
| PART NAME | Standard, Specialty (SD) & No-Drill (ND) Doors are the same dimension | |
| | Full Overlay | Partial Overlay |
| 42" HIGH | | |
| DR942 | 8 9/16" x 41 1/2" | 6 7/8" x 40" |
| DRI242 | 11 9/16" x 41 1/2" | 9 7/8" x 40" |
| DRI242 BUTT | 11 23/32" x 41 1/2" | 10 15/16" x 40" |
| DRI242 WER DRILL | 10 3/4" x 41 1/2" | 10" x 40" |
| DRI242 WER ND | 10 3/4" x 41 1/2" | 10" x 40" |
| DR1342 BUTT | 13 7/32" x 41 1/2" | 12 7/16" x 40" |
| DR1542 | 14 9/16" x 41 1/2" | 12 7/8" x 40" |
| DR1542 BUTT | 14 23/32" x 41 1/2" | 13 15/16" x 40" |
| DR1642 BUTT | 16 7/32" x 41 1/2" | 15 7/16" x 40" |
| DR1842 | 17 9/16" x 41 1/2" | 15 7/8" x 40" |
| DR1842 BUTT | 17 23/32" x 41 1/2" | 16 15/16" x 40" |
| DR1942 | 19 1/16" x 41 1/2" | 17 3/8" x 40" |
| DR2142 | 20 9/16" x 41 1/2" | 18 7/8" x 40" |
| 50" HIGH | | |
| DRI250 | 11 9/16" x 49 1/4" | 9 7/8" x 47 3/4" |
| DRI250 BUTT | 11 23/32" x 49 1/4" | 10 15/16" x 47 3/4" |
| DRI350 BUTT | 13 7/32" x 49 1/4" | 12 7/16" x 47 3/4" |
| DR1550 | 14 9/16" x 49 1/4" | 12 7/8" x 47 3/4" |
| DR1550 BUTT | 14 23/32" x 49 1/4" | 13 15/16" x 47 3/4" |
| DR1650 BUTT | 16 7/32" x 49 1/4" | 15 7/16" x 47 3/4" |
| DR1850 | 17 9/16" x 49 1/4" | 15 7/8" x 47 3/4" |
| DR1850 BUTT | 17 23/32" x 49 1/4" | 16 15/16" x 47 3/4" |
| DR2150 | 20 9/16" x 49 1/4" | 18 7/8" x 47 3/4" |
| FULL-HEIGHT DOORS | | |
| DR9FH | 8 9/16" x 29 7/8" | - |
| DRI2FH | 11 9/16" x 29 7/8" | - |
| DRI2BUTT FH | 11 23/32" x 29 7/8" | - |
| DRI3BUTT FH | 13 7/32" x 29 7/8" | - |
| DR15FH | 14 9/16" x 29 7/8" | - |
| DR15BUTT FH | 14 23/32" x 29 7/8" | - |
| DR16BUTT FH | 16 7/32" x 29 7/8" | - |
| DR18FH | 17 9/16" x 29 7/8" | - |
| DR18BUTT FH | 17 23/32" x 29 7/8" | - |
| DR21FH | 20 9/16" x 29 7/8" | - |
| DR24FH | 23 9/16" x 29 7/8" | - |
| DRCBS36 | 14 9/16" x 29 7/8" | 12 7/8" x 28" |
| MEDICINE CABINET DOORS | | |
| DRMCM1530 | 14 9/16" x 29 1/2" | 12 7/8" x 28" |
| MIRROR TV3030 | 8 13/16" x 26 1/2" | 8 13/16" x 26 1/2" |
| MIRROR TV3630 | 10 13/16" x 26 1/2" | 10 13/16" x 26 1/2" |

| DOOR DIMENSIONS | | |
|------------------------|---|-------------------|
| PART NAME | Standard, Specialty (SD) & No-Drill (ND) Doors are the same dimension | |
| | Full Overlay | Partial Overlay |
| DECORATOR DOORS | | |
| DMDB | 23 9/16" x 29 7/8" | 21 7/8" x 28" |
| DMDBEA12 | 11 9/16" x 29 7/8" | 9 7/8" x 28" |
| DMDD21 | 20 9/16" x 23 7/8" | 18 7/8" x 22 3/8" |
| DMDD24 | 23 9/16" x 23 7/8" | 21 7/8" x 22 3/8" |
| DMDW18 | 11 9/16" x 17 1/2" | 9 7/8" x 16" |
| DMDW24 | 11 9/16" x 23 7/8" | 9 7/8" x 22 3/8" |
| DMDW30 | 11 9/16" x 29 1/2" | 9 7/8" x 28" |
| DMDW36 | 11 9/16" x 35 1/2" | 9 7/8" x 34" |
| DMDW39 | 11 9/16" x 38 1/2" | 9 7/8" x 37" |
| DMDW42 | 11 9/16" x 41 1/2" | 9 7/8" x 40" |
| DMDV | 20 9/16" x 20" | 18 7/8" x 17 7/8" |
| | 20 9/16" x 5 13/16" | 18 7/8" x 5 1/8" |
| DMDT8412 | 11 9/16" x 29 1/2" | 9 7/8" x 28" |
| | 11 9/16" x 49 1/4" | 9 7/8" x 47 3/4" |
| DMDT8424 | 11 9/16" x 29 1/2" | 9 7/8" x 28" |
| | 11 9/16" x 49 1/4" | 9 7/8" x 47 3/4" |
| DMDT9012 | 11 9/16" x 35 1/2" | 9 7/8" x 34" |
| | 11 9/16" x 49 1/4" | 9 7/8" x 47 3/4" |
| DMDT9024 | 11 9/16" x 35 1/2" | 9 7/8" x 34" |
| | 11 9/16" x 49 1/4" | 9 7/8" x 47 3/4" |
| DMDT9312 | 11 9/16" x 38 1/2" | 9 7/8" x 37" |
| | 11 9/16" x 49 1/4" | 9 7/8" x 47 3/4" |
| DMDT9324 | 11 9/16" x 38 1/2" | 9 7/8" x 37" |
| | 11 9/16" x 49 1/4" | 9 7/8" x 47 3/4" |
| DMDT9612 | 11 9/16" x 41 1/2" | 9 7/8" x 40" |
| | 11 9/16" x 49 1/4" | 9 7/8" x 47 3/4" |
| DMDT9624 | 11 9/16" x 41 1/2" | 9 7/8" x 40" |
| | 11 9/16" x 49 1/4" | 9 7/8" x 47 3/4" |

| DRAWER BODY DIMENSIONS | |
|------------------------|-------------------------------|
| PART NAME | Dimensions (W x H x D) |
| | STANDARD DRAWERS |
| 21" DEEP | |
| DRB12 X 21DP DT FD | 8 1/16" x 3 15/32" x 21" |
| DRB15 X 21DP DT FD | 11 1/16" x 3 15/32" x 21" |
| DRB18 X 21DP DT FD | 14 1/16" x 3 15/32" x 21" |
| DRB19 X 21DP DT FD | 15 9/16" x 3 15/32" x 21" |
| DRB21 X 21DP DT FD | 17 1/16" x 3 15/32" x 21" |
| DRB24 X 21DP DT FD | 20 1/16" x 3 15/32" x 21" |
| DRB27 X 21DP DT FD | 23 1/16" x 3 15/32" x 21" |
| DRB30 X 21DP DT FD | 26 1/16" x 3 15/32" x 21" |
| DRB33 X 21DP DT FD | 29 1/16" x 3 15/32" x 21" |
| DRB36 X 21DP DT FD | 32 1/16" x 3 15/32" x 21" |
| 18" DEEP | |
| DRB10 X 18DP DT FD | 7 1/16" x 3 15/32" x 18" |
| DRB12 X 18DP DT FD | 8 1/16" x 3 15/32" x 18" |
| DRB15 X 18DP DT FD | 11 1/16" x 3 15/32" x 18" |
| DRB18 X 18DP DT FD | 14 1/16" x 3 15/32" x 18" |
| DRB19 X 18DP DT FD | 15 9/16" x 3 15/32" x 18" |
| DRB21 X 18DP DT FD | 17 1/16" x 3 15/32" x 18" |
| DRB24 X 18DP DT FD | 20 1/16" x 3 15/32" x 18" |
| DRB27 X 18DP DT FD | 23 1/16" x 3 15/32" x 18" |
| DRB30 X 18DP DT FD | 26 1/16" x 3 15/32" x 18" |
| DRB33 X 18DP DT FD | 29 1/16" x 3 15/32" x 18" |
| DRB36 X 18DP DT FD | 32 1/16" x 3 15/32" x 18" |
| 15" DEEP | |
| DRB10 X 15DP DT FD | 7 1/16" x 3 15/32" x 15" |
| DRB12 X 15DP DT FD | 8 1/16" x 3 15/32" x 15" |
| DRB15 X 15DP DT FD | 11 1/16" x 3 15/32" x 15" |
| DRB18 X 15DP DT FD | 14 1/16" x 3 15/32" x 15" |
| DRB19 X 15DP DT FD | 15 9/16" x 3 15/32" x 15" |
| DRB21 X 15DP DT FD | 17 1/16" x 3 15/32" x 15" |
| DRB24 X 15DP DT FD | 20 1/16" x 3 15/32" x 15" |
| DRB27 X 15DP DT FD | 23 1/16" x 3 15/32" x 15" |
| DRB30 X 15DP DT FD | 26 1/16" x 3 15/32" x 15" |
| DRB33 X 15DP DT FD | 29 1/16" x 3 15/32" x 15" |
| DRB36 X 15DP DT FD | 32 1/16" x 3 15/32" x 15" |
| 9" DEEP | |
| DRB10 X 9DP DT FD | 7 1/16" x 3 15/32" x 9 7/16" |
| DRB12 X 9DP DT FD | 8 1/16" x 3 15/32" x 9 7/16" |
| DRB15 X 9DP DT FD | 11 1/16" x 3 15/32" x 9 7/16" |
| DRB18 X 9DP DT FD | 14 1/16" x 3 15/32" x 9 7/16" |
| DRB19 X 9DP DT FD | 15 9/16" x 3 15/32" x 9 7/16" |
| DRB21 X 9DP DT FD | 17 1/16" x 3 15/32" x 9 7/16" |
| DRB24 X 9DP DT FD | 20 1/16" x 3 15/32" x 9 7/16" |
| DRB27 X 9DP DT FD | 23 1/16" x 3 15/32" x 9 7/16" |
| DRB30 X 9DP DT FD | 26 1/16" x 3 15/32" x 9 7/16" |
| DRB33 X 9DP DT FD | 29 1/16" x 3 15/32" x 9 7/16" |
| DRB36 X 9DP DT FD | 32 1/16" x 3 15/32" x 9 7/16" |

| DRAWER BODY DIMENSIONS | |
|------------------------|---------------------------|
| PART NAME | Dimensions (W x H x D) |
| | LARGE DRAWERS |
| 21" DEEP | |
| DRB12M X 21DP DT FD | 8 1/16" x 6 15/16" x 21" |
| DRB15M X 21DP DT FD | 11 1/16" x 6 15/16" x 21" |
| DRB18M X 21DP DT FD | 14 1/16" x 6 15/16" x 21" |
| DRB21M X 21DP DT FD | 17 1/16" x 6 15/16" x 21" |
| DRB24M X 21DP DT FD | 20 1/16" x 6 15/16" x 21" |
| DRB27M X 21DP DT FD | 23 1/16" x 6 15/16" x 21" |
| DRB30M X 21DP DT FD | 26 1/16" x 6 15/16" x 21" |
| DRB33M X 21DP DT FD | 29 1/16" x 6 15/16" x 21" |
| DRB36M X 21DP DT FD | 32 1/16" x 6 15/16" x 21" |
| 18" DEEP | |
| DRB12M X 18DP DT FD | 8 1/16" x 6 15/16" x 18" |
| DRB15M X 18DP DT FD | 11 1/16" x 6 15/16" x 18" |
| DRB18M X 18DP DT FD | 14 1/16" x 6 15/16" x 18" |
| DRB21M X 18DP DT FD | 17 1/16" x 6 15/16" x 18" |
| DRB24M X 18DP DT FD | 20 1/16" x 6 15/16" x 18" |
| DRB27M X 18DP DT FD | 23 1/16" x 6 15/16" x 18" |
| DRB30M X 18DP DT FD | 26 1/16" x 6 15/16" x 18" |
| DRB33M X 18DP DT FD | 29 1/16" x 6 15/16" x 18" |
| DRB36M X 18DP DT FD | 32 1/16" x 6 15/16" x 18" |
| 15" DEEP | |
| DRB12M X 15DP DT FD | 8 1/16" x 6 15/16" x 15" |
| DRB15M X 15DP DT FD | 11 1/16" x 6 15/16" x 15" |
| DRB18M X 15DP DT FD | 14 1/16" x 6 15/16" x 15" |
| DRB21M X 15DP DT FD | 17 1/16" x 6 15/16" x 15" |
| DRB24M X 15DP DT FD | 20 1/16" x 6 15/16" x 15" |
| DRB27M X 15DP DT FD | 23 1/16" x 6 15/16" x 15" |
| DRB30M X 15DP DT FD | 26 1/16" x 6 15/16" x 15" |
| DRB33M X 15DP DT FD | 29 1/16" x 6 15/16" x 15" |
| DRB36M X 15DP DT FD | 32 1/16" x 6 15/16" x 15" |
| 9" DEEP | |
| DRB12M X 9DP DT FD | 8 1/16" x 6 15/16" x 9" |
| DRB15M X 9DP DT FD | 11 1/16" x 6 15/16" x 9" |
| DRB18M X 9DP DT FD | 14 1/16" x 6 15/16" x 9" |
| DRB21M X 9DP DT FD | 17 1/16" x 6 15/16" x 9" |
| DRB24M X 9DP DT FD | 20 1/16" x 6 15/16" x 9" |
| DRB27M X 9DP DT FD | 23 1/16" x 6 15/16" x 9" |
| DRB30M X 9DP DT FD | 26 1/16" x 6 15/16" x 9" |
| DRB33M X 9DP DT FD | 29 1/16" x 6 15/16" x 9" |
| DRB36M X 9DP DT FD | 32 1/16" x 6 15/16" x 9" |

| DRAWER BODY DIMENSIONS | |
|--|-------------------------------|
| PART NAME | Dimensions (W x H x D) |
| | MISCELLANEOUS DRAWERS |
| TWO DRAWER BASE | |
| DRB30 HD X 21DPDTFD | 26 1/32" x 7 5/16" x 21" |
| DRB36 HD X 21DPDTFD | 32 1/32" x 7 5/16" x 21" |
| KNEEHOLE DRAWERS | |
| DRBKDC27X 15DP DT FD | 16 23/32" x 2 15/32" x 15" |
| DRBKDC33X 15DP DT FD | 22 23/32" x 2 15/32" x 15" |
| DRBKDC36X 15DP DT FD | 28 23/32" x 2 15/32" x 15" |
| SPICE DRAWERS | |
| DRB6 BSDC6 | 4 29/32" x 4 3/4" x 22 15/16" |
| DRB6 SDC30 | 4 29/32" x 4 3/4" x 10 15/16" |
| WOOD TIERED CUTLERY DIVIDER DRAWERS | |
| WTCDKFD15 | 11 1/16" x 3 15/32" x 21" |
| WTCDKFD18 | 14 1/16" x 3 15/32" x 21" |
| WTCDKFD21 | 17 1/16" x 3 15/32" x 21" |
| WTCDKFD24 | 20 1/16" x 3 15/32" x 21" |

| SHELF DIMENSIONS | |
|-------------------------------|---------------------------|
| PART NAME | Dimensions |
| | 12" DEEP |
| 9" SHELF 3/4 | 7 1/4" x 10 1/4" x 3/4" |
| 12" SHELF 3/4 | 10 1/4" x 10 1/4" x 3/4" |
| 15" SHELF 3/4 | 13 1/4" x 10 1/4" x 3/4" |
| 18" SHELF 3/4 | 16 1/4" x 10 1/4" x 3/4" |
| 21" SHELF 3/4 | 19 1/4" x 10 1/4" x 3/4" |
| 24" SHELF 3/4 | 22 1/4" x 10 1/4" x 3/4" |
| 27" SHELF 3/4 | 25 1/4" x 10 1/4" x 3/4" |
| 30" SHELF 3/4 | 28 1/4" x 10 1/4" x 3/4" |
| 33" SHELF 3/4 | 31 1/4" x 10 1/4" x 3/4" |
| 36" SHELF 3/4 | 34 1/4" x 10 1/4" x 3/4" |
| 39" SHELF 3/4 | 37 1/4" x 10 1/4" x 3/4" |
| 42" SHELF 3/4 | 40 1/4" x 10 1/4" x 3/4" |
| 45" SHELF 3/4 | 43 1/4" x 10 1/4" x 3/4" |
| 48" SHELF 3/4 | 46 1/4" x 10 1/4" x 3/4" |
| 21" DEEP | |
| 12" SHELF 21DP 3/4 | 10 3/16" x 18 7/8" x 3/4" |
| 15" SHELF 21DP 3/4 | 13 3/16" x 18 7/8" x 3/4" |
| 18" SHELF 21DP 3/4 | 16 3/16" x 18 7/8" x 3/4" |
| 21" SHELF 21DP 3/4 | 19 3/16" x 18 7/8" x 3/4" |
| 24" SHELF 21DP 3/4 | 22 3/16" x 18 7/8" x 3/4" |
| 24" DEEP | |
| 9" SHELF 24 DP 3/4 | 7 13/16" x 22 1/8" x 3/4" |
| 12" SHELF 24DP 3/4 | 10 3/16" x 22 1/8" x 3/4" |
| 15" SHELF 24DP 3/4 | 13 3/16" x 22 1/8" x 3/4" |
| 18" SHELF 24DP 3/4 | 16 3/16" x 22 1/8" x 3/4" |
| 21" SHELF 24DP 3/4 | 19 3/16" x 22 1/8" x 3/4" |
| 24" SHELF 24DP 3/4 | 22 3/16" x 22 1/8" x 3/4" |
| 27" SHELF 24DP 3/4 | 25 1/4" x 22 1/8" x 3/4" |
| 30" SHELF 24DP 3/4 | 28 1/4" x 22 1/8" x 3/4" |
| 33" SHELF 24DP 3/4 | 31 1/4" x 22 1/8" x 3/4" |
| 36" SHELF 24DP 3/4 | 34 1/4" x 22 1/8" x 3/4" |
| 39" SHELF 24DP 3/4 | 37 1/4" x 22 1/8" x 3/4" |
| 42" SHELF 24DP 3/4 | 40 1/4" x 22 1/8" x 3/4" |
| 45" SHELF 24DP 3/4 | 43 1/4" x 22 1/8" x 3/4" |
| 48" SHELF 24DP 3/4 | 46 1/4" x 22 1/8" x 3/4" |
| PENINSULA WALL SHELVES | |
| 12" SHELF PW 3/4 | 10 1/4" x 10 1/4" x 3/4" |
| 15" SHELF PW 3/4 | 13 1/4" x 10 1/4" x 3/4" |
| 18" SHELF PW 3/4 | 16 1/4" x 10 1/4" x 3/4" |
| 24" SHELF PW 3/4 | 22 1/4" x 10 1/4" x 3/4" |
| 30" SHELF PW 3/4 | 28 1/4" x 10 1/4" x 3/4" |
| 36" SHELF PW 3/4 | 34 1/4" x 10 1/4" x 3/4" |
| 42" SHELF PW 3/4 | 40 1/4" x 10 1/4" x 3/4" |
| PENINSULA BASE SHELVES | |
| 12" SHELF PB 3/4 | 10 3/16" x 22 1/8" x 3/4" |
| 18" SHELF PB 3/4 | 16 3/16" x 22 1/8" x 3/4" |
| 24" SHELF PB 3/4 | 22 3/16" x 22 1/8" x 3/4" |
| 30" SHELF PB 3/4 | 28 3/16" x 22 1/8" x 3/4" |
| 36" SHELF PB 3/4 | 34 3/16" x 22 1/8" x 3/4" |
| 42" SHELF PB 3/4 | 40 3/16" x 22 1/8" x 3/4" |
| MISCELLANEOUS SHELVES | |
| TV30 SHELF 9 | 8 7/8" x 3" x 1/2" |
| TV30 SHELF 18 | 17 9/32" x 3" x 1/2" |
| TV36 SHELF 11 | 10 7/8" x 3" x 1/2" |
| TV36 SHELF 22 | 21 9/32" x 3" x 1/2" |
| WMSC2718 TOP SHELF | 25 1/4" x 16 1/4" x 3/4" |

| SHELF DIMENSIONS | |
|------------------|-----------------------------|
| PART NAME | Dimensions |
| | TALL CABINET SHELVES |
| SI212 | 10 1/4" x 10 1/4" x 3/4" |
| SI512 | 13 1/4" x 10 1/4" x 3/4" |
| SI812 | 16 1/4" x 10 1/4" x 3/4" |
| S2112 | 19 1/4" x 10 1/4" x 3/4" |
| S2412 | 22 1/4" x 10 1/4" x 3/4" |
| S3612 | 34 1/4" x 10 1/4" x 3/4" |
| SI221 | 10 3/16" x 18 7/8" x 3/4" |
| SI521 | 13 3/16" x 18 7/8" x 3/4" |
| SI821 | 16 3/16" x 18 7/8" x 3/4" |
| S2421 | 22 3/16" x 18 7/8" x 3/4" |
| SI224 | 10 3/16" x 22 1/8" x 3/4" |
| SI524 | 13 3/16" x 22 1/8" x 3/4" |
| SI824 | 16 3/16" x 22 1/8" x 3/4" |
| S2124 | 19 1/4" x 22 1/8" x 3/4" |
| S2424 | 22 3/16" x 22 1/8" x 3/4" |
| S2724 | 25 3/16" x 22 1/8" x 3/4" |
| S3024 | 28 3/16" x 22 1/8" x 3/4" |
| S3324 | 31 3/16" x 22 1/8" x 3/4" |
| S3624 | 34 3/16" x 22 1/8" x 3/4" |

| ROLL-OUT/ACCESSORY DIMENSIONS | |
|--------------------------------------|----------------------------|
| PART NAME | Dimensions |
| | DEEP ROLL-OUT TRAYS |
| DROT12 | 7 3/4" x 21" x 3 3/8" |
| DROT15 | 10 3/4" x 21" x 3 3/8" |
| DROT18 | 13 3/4" x 21" x 3 3/8" |
| DROT19 | 15 1/4" x 21" x 3 3/8" |
| DROT21 | 16 3/4" x 21" x 3 3/8" |
| DROT24 | 19 3/4" x 21" x 3 3/8" |
| DROT27 | 22 3/4" x 21" x 3 3/8" |
| DROT30 | 25 3/4" x 21" x 3 3/8" |
| DROT33 | 28 3/4" x 21" x 3 3/8" |
| DROT36 | 31 3/4" x 21" x 3 3/8" |
| DROTI221 | 7 3/4" x 18" x 3 3/8" |
| DROTI521 | 10 3/4" x 18" x 3 3/8" |
| DROTI821 | 13 3/4" x 18" x 3 3/8" |
| DROTI2421 | 19 3/4" x 18" x 3 3/8" |
| SCALLOPED DEEP ROLL-OUT TRAYS | |
| SDROT30 | 25 3/4" x 3 3/8" x 21" |
| SDROT36 | 31 3/4" x 3 3/8" x 21" |
| BASE POT & PAN ORGANIZERS | |
| BPPOK24 | 19 3/4" x 21" x 19" |
| BPPOK27 | 22 3/4" x 21" x 19" |
| BPPOK30 | 25 3/4" x 21" x 19" |
| BPPOK33 | 28 3/4" X 21" X 19" |
| BPPOK36 | 31 3/4" X 21" X 19" |
| ROLL-OUT TRAY DIVIDERS | |
| ROTDK12 | 7 3/4" x 21" |
| ROTDK15 | 10 3/4" x 21" |
| PANTRY STORAGE KITS | |
| PCKS36 | 25 5/8" x 45" x 7 1/2" |
| PDSK18 | 12" x 45" x 4" |

| PART NAME | DECORATIVE GLASS INSERT DIMENSIONS | | | |
|-----------------|---|----------------------|-----------------------|-----------------------|
| | 20, 28, 29, 30, 44, 47, 48, 69, 74, 75, I | 35, 54, 57, 58 | 39, 40, 42 | 08, 18, 19, Y |
| 12" WIDE | | | | |
| DGI-1218 | 8" x 13 15/16" | 6 21/64" x 12 25/64" | 6 21/64" x 12 25/64" | 6 21/64" x 12 25/64" |
| DGI-1218 BUTT | 8" x 13 15/16" | 6 9/16" x 12 25/64" | 6 21/64" x 12 25/64" | 7 25/64" x 12 25/64" |
| DGI-1224 | 8" x 20 5/16" | 6 21/64" x 18 49/64" | 6 21/64" x 18 49/64" | 6 21/64" x 18 49/64" |
| DGI-1224 BUTT | 8" x 20 5/16" | 6 9/16" x 18 49/64" | 6 21/64" x 18 49/64" | 7 25/64" x 18 49/64" |
| DGI-1230 | 8" x 25 15/16" | 6 21/64" x 24 25/64" | 6 21/64" x 24 25/64" | 6 21/64" x 24 25/64" |
| DGI-1230 BUTT | 8" x 25 15/16" | 6 9/16" x 24 25/64" | 6 21/64" x 24 25/64" | 7 25/64" x 24 25/64" |
| DGI-1236 | 8" x 31 15/16" | 6 21/64" x 30 25/64" | 6 21/64" x 30 25/64" | 6 21/64" x 30 25/64" |
| DGI-1236 BUTT | 8" x 31 15/16" | 6 9/16" x 30 25/64" | 6 21/64" x 30 25/64" | 7 25/64" x 30 25/64" |
| DGI-1239 | 8" x 34 15/16" | 6 21/64" x 33 25/64" | 6 21/64" x 33 25/64" | 6 21/64" x 33 25/64" |
| DGI-1239 BUTT | 8" x 34 15/16" | 6 9/16" x 33 25/64" | 6 21/64" x 33 25/64" | 7 25/64" x 33 25/64" |
| DGI-1242 | 8" x 37 15/16" | 6 21/64" x 36 25/64" | 6 21/64" x 36 25/64" | 6 21/64" x 36 25/64" |
| DGI-1242 BUTT | 8" x 37 15/16" | 6 9/16" x 36 25/64" | 6 21/64" x 36 25/64" | 7 25/64" x 36 25/64" |
| 13" WIDE | | | | |
| DGI-1318 BUTT | 9 1/8" x 13 15/16" | 8 1/16" x 12 25/64" | 7 53/64" x 12 25/64" | 8 57/64" x 12 25/64" |
| DGI-1324 BUTT | 9 1/8" x 20 5/16" | 8 1/16" x 18 49/64" | 7 53/64" x 18 49/64" | 8 57/64" x 18 49/64" |
| DGI-1330 BUTT | 9 1/8" x 25 15/16" | 8 1/16" x 24 25/64" | 7 53/64" x 24 25/64" | 8 57/64" x 24 25/64" |
| DGI-1336 BUTT | 9 1/8" x 31 15/16" | 8 1/16" x 30 25/64" | 7 53/64" x 30 25/64" | 8 57/64" x 30 25/64" |
| DGI-1339 BUTT | 9 1/8" x 34 15/16" | 8 1/16" x 33 25/64" | 7 53/64" x 33 25/64" | 8 57/64" x 33 25/64" |
| DGI-1342 BUTT | 9 1/8" x 37 15/16" | 8 1/16" x 36 25/64" | 7 53/64" x 36 25/64" | 8 57/64" x 36 25/64" |
| 15" WIDE | | | | |
| DGI-1512 BUTT | 11" x 7 15/16" | 9 9/16" x 6 25/64" | 9 21/64" x 6 25/64" | 10 25/64" x 6 25/64" |
| DGI-1515 BUTT | 11" x 10 15/16" | 9 9/16" x 9 25/64" | 9 21/64" x 9 25/64" | 10 25/64" x 9 25/64" |
| DGI-1518 | 11" x 13 15/16" | 9 21/64" x 12 25/64" | 9 21/64" x 12 25/64" | 9 21/64" x 12 25/64" |
| DGI-1518 BUTT | 11" x 13 15/16" | 9 9/16" x 12 25/64" | 9 21/64" x 12 25/64" | 10 25/64" x 12 25/64" |
| DGI-1521 BUTT | 11" x 16 7/16" | 9 9/16" x 14 57/64" | 9 21/64" x 14 57/64" | 10 25/64" x 15 57/64" |
| DGI-1524 | 11" x 20 5/16" | 9 21/64" x 18 49/64" | 9 21/64" x 18 49/64" | 9 21/64" x 18 49/64" |
| DGI-1524 BUTT | 11" x 20 5/16" | 9 9/16" x 18 49/64" | 9 21/64" x 18 49/64" | 10 25/64" x 18 49/64" |
| DGI-1527 BUTT | 11" x 22 15/16" | 9 9/16" x 21 25/64" | 9 21/64" x 21 25/64" | 10 25/64" x 21 25/64" |
| DGI-1530 | 11" x 25 15/16" | 9 21/64" x 24 25/64" | 9 21/64" x 24 25/64" | 9 21/64" x 24 25/64" |
| DGI-1530 BUTT | 11" x 25 15/16" | 9 9/16" x 24 25/64" | 9 21/64" x 24 25/64" | 10 25/64" x 24 25/64" |
| DGI-1536 | 11" x 31 15/16" | 9 21/64" x 30 25/64" | 9 21/64" x 30 25/64" | 9 21/64" x 30 25/64" |
| DGI-1536 BUTT | 11" x 31 15/16" | 9 9/16" x 30 25/64" | 9 21/64" x 30 25/64" | 10 25/64" x 30 25/64" |
| DGI-1539 | 11" x 34 15/16" | 9 21/64" x 33 25/64" | 9 21/64" x 33 25/64" | 9 21/64" x 33 25/64" |
| DGI-1539 BUTT | 11" x 34 15/16" | 9 9/16" x 33 25/64" | 9 21/64" x 33 25/64" | 10 25/64" x 33 25/64" |
| DGI-1542 | 11" x 37 15/16" | 9 21/64" x 36 25/64" | 9 21/64" x 36 25/64" | 9 21/64" x 36 25/64" |
| DGI-1542 BUTT | 11" x 37 15/16" | 9 9/16" x 36 25/64" | 9 21/64" x 36 25/64" | 10 25/64" x 36 25/64" |
| 16" WIDE | | | | |
| DGI-1612 BUTT | 12 1/8" x 7 15/16" | 11 1/16" x 6 25/64" | 10 53/64" x 6 25/64" | 11 57/64" x 6 25/64" |
| DGI-1615 BUTT | 12 1/8" x 10 15/16" | 11 1/16" x 9 25/64" | 10 53/64" x 9 25/64" | 11 57/64" x 9 25/64" |
| DGI-1618 BUTT | 12 1/8" x 13 15/16" | 11 1/16" x 12 25/64" | 10 53/64" x 12 25/64" | 11 57/64" x 12 25/64" |
| DGI-1621 BUTT | 12 1/8" x 16 7/16" | 11 1/16" x 14 57/64" | 10 53/64" x 14 57/64" | 11 57/64" x 15 57/64" |
| DGI-1624 BUTT | 12 1/8" x 20 5/16" | 11 1/16" x 18 49/64" | 10 53/64" x 18 49/64" | 11 57/64" x 18 49/64" |
| DGI-1630 BUTT | 12 1/8" x 25 15/16" | 11 1/16" x 24 25/64" | 10 53/64" x 24 25/64" | 11 57/64" x 24 25/64" |
| DGI-1636 BUTT | 12 1/8" x 31 15/16" | 11 1/16" x 30 25/64" | 10 53/64" x 30 25/64" | 11 57/64" x 30 25/64" |
| DGI-1639 BUTT | 12 1/8" x 34 15/16" | 11 1/16" x 33 25/64" | 10 53/64" x 33 25/64" | 11 57/64" x 33 25/64" |
| DGI-1642 BUTT | 12 1/8" x 37 15/16" | 11 1/16" x 36 25/64" | 10 53/64" x 36 25/64" | 11 57/64" x 36 25/64" |

| PART NAME | DECORATIVE GLASS INSERT DIMENSIONS | | | |
|-----------------|---|-----------------------|-----------------------|------------------------|
| | 20, 28, 29, 30, 44, 47, 48, 69, 74, 75, I | 35, 54, 57, 58 | 39, 40, 42 | 08, 18, 19, Y |
| 18" WIDE | | | | |
| DGI-1812 BUTT | 14" x 7 15/16" | 12 9/16" x 6 25/64" | 12 21/64" x 6 25/64" | 13 25/64" x 6 25/64" |
| DGI-1815 BUTT | 14" x 10 15/16" | 12 9/16" x 9 25/64" | 12 21/64" x 9 25/64" | 13 25/64" x 9 25/64" |
| DGI-1818 | 14" x 13 15/16" | 12 21/64" x 12 25/64" | 12 21/64" x 12 25/64" | 12 21/64" x 12 25/64" |
| DGI-1818 BUTT | 14" x 13 15/16" | 12 9/16" x 12 25/64" | 12 21/64" x 12 25/64" | 13 25/64" x 12 25/64" |
| DGI-1821 BUTT | 14" x 16 7/16" | 12 9/16" x 14 57/64" | 12 21/64" x 14 57/64" | 13 25/64" x 15 57/64" |
| DGI-1824 | 14" x 20 5/16" | 12 21/64" x 18 49/64" | 12 21/64" x 18 49/64" | "12 21/64" x 18 49/64" |
| DGI-1824 BUTT | 14" x 20 5/16" | 12 9/16" x 18 49/64" | 12 21/64" x 18 49/64" | "13 25/64" x 18 49/64" |
| DGI-1830 | 14" x 25 15/16" | 12 21/64" x 24 25/64" | 12 21/64" x 24 25/64" | 12 21/64" x 24 25/64" |
| DGI-1830 BUTT | 14" x 25 15/16" | 12 9/16" x 24 25/64" | 12 21/64" x 24 25/64" | 13 25/64" x 24 25/64" |
| DGI-1836 | 14" x 31 15/16" | 12 21/64" x 30 25/64" | 12 21/64" x 30 25/64" | 12 21/64" x 30 25/64" |
| DGI-1836 BUTT | 14" x 31 15/16" | 12 9/16" x 30 25/64" | 12 21/64" x 30 25/64" | 13 25/64" x 30 25/64" |
| DGI-1839 | 14" x 34 15/16" | 12 21/64" x 33 25/64" | 12 21/64" x 33 25/64" | 12 21/64" x 33 25/64" |
| DGI-1839 BUTT | 14" x 34 15/16" | 12 9/16" x 33 25/64" | 12 21/64" x 33 25/64" | 13 25/64" x 33 25/64" |
| DGI-1842 | 14" x 37 15/16" | 12 21/64" x 36 25/64" | 12 21/64" x 36 25/64" | 12 21/64" x 36 25/64" |
| DGI-1842 BUTT | 14" x 37 15/16" | 12 9/16" x 36 25/64" | 12 21/64" x 36 25/64" | 13 25/64" x 36 25/64" |
| 19" WIDE | | | | |
| DGI-1912 | 15 1/8" x 7 15/16" | 13 53/64" x 6 25/64" | 13 53/64" x 6 25/64" | 13 53/64" x 6 25/64" |
| DGI-1915 | 15 1/8" x 10 15/16" | 13 53/64" x 9 25/64" | 13 53/64" x 9 25/64" | 13 53/64" x 9 25/64" |
| DGI-1918 | 15 1/8" x 13 15/16" | 13 53/64" x 12 25/64" | 13 53/64" x 12 25/64" | 13 53/64" x 12 25/64" |
| DGI-1921 | 15 1/8" x 16 7/16" | 13 53/64" x 14 57/64" | 13 53/64" x 14 57/64" | 13 53/64" x 15 57/64" |
| DGI-1924 | 15 1/8" x 20 5/16" | 13 53/64" x 18 49/64" | 13 53/64" x 18 49/64" | 13 53/64" x 18 49/64" |
| DGI-1930 | 15 1/8" x 25 15/16" | 13 53/64" x 24 25/64" | 13 53/64" x 24 25/64" | 13 53/64" x 24 25/64" |
| 21" WIDE | | | | |
| DGI-2118 | 17" x 13 15/16" | 15 21/64" x 12 25/64" | 15 21/64" x 12 25/64" | 15 21/64" x 12 25/64" |
| DGI-2124 | 17" x 20 5/16" | 15 21/64" x 18 49/64" | 15 21/64" x 18 49/64" | 15 21/64" x 18 49/64" |
| DGI-2130 | 17" x 25 15/16" | 15 21/64" x 24 25/64" | 15 21/64" x 24 25/64" | 15 21/64" x 24 25/64" |
| DGI-2136 | 17" x 31 15/16" | 15 21/64" x 30 25/64" | 15 21/64" x 30 25/64" | 15 21/64" x 30 25/64" |
| DGI-2139 | 17" x 34 15/16" | 15 21/64" x 33 25/64" | 15 21/64" x 33 25/64" | 15 21/64" x 33 25/64" |
| DGI-2142 | 17" x 37 15/16" | 15 21/64" x 36 25/64" | 15 21/64" x 36 25/64" | 15 21/64" x 36 25/64" |

| DRAWER FRONT DIMENSIONS | | |
|--|----------------------|--------------------|
| PART NAME | Full Overlay | Partial Overlay |
| | Dimensions (W x H) | Dimensions (W x H) |
| STANDARD DRAWER FRONT | | |
| DDF12 | 11 9/16" x 5 13/16" | 9 7/8" x 5 1/8" |
| DDF15 | 14 9/16" x 5 13/16" | 12 7/8" x 5 1/8" |
| DDF18 | 17 9/16" x 5 13/16" | 15 7/8" x 5 1/8" |
| DDF18 DRILL | 17 9/16" x 5 13/16" | 15 7/8" x 5 1/8" |
| DDF19 | 19 1/16" x 5 13/16" | 17 3/8" x 5 1/8" |
| DDF19 DRILL | 19 1/16" x 5 13/16" | 17 3/8" x 5 1/8" |
| DDF21 | 20 9/16" x 5 13/16" | 18 7/8" x 5 1/8" |
| DDF21 DRILL | 20 9/16" x 5 13/16" | 18 7/8" x 5 1/8" |
| DDF24 | 23 9/16" x 5 13/16" | 21 7/8" x 5 1/8" |
| DDF24 DRILL | 23 9/16" x 5 13/16" | 21 7/8" x 5 1/8" |
| DDF27 | 26 9/16" x 5 13/16" | 24 7/8" x 5 1/8" |
| DDF27 DRILL | 26 9/16" x 5 13/16" | 24 7/8" x 5 1/8" |
| DDF30 | 29 9/16" x 5 13/16" | 27 7/8" x 5 1/8" |
| DDF30 DRILL | 29 9/16" x 5 13/16" | 27 7/8" x 5 1/8" |
| DDF33 | 32 9/16" x 5 13/16" | 30 7/8" x 5 1/8" |
| DDF33 DRILL | 32 9/16" x 5 13/16" | 30 7/8" x 5 1/8" |
| DDF36 | 35 9/16" x 5 13/16" | 33 7/8" x 5 1/8" |
| DDF36 DRILL | 35 9/16" x 5 13/16" | 33 7/8" x 5 1/8" |
| DDF0V27 | 26 9/16" x 7 7/16" | - |
| DDF0V30 | 29 9/16" x 7 7/16" | - |
| DDF0V33 | 32 9/16" x 7 7/16" | - |
| LARGE DRAWER FRONT - FULL OVERLAY | | |
| DDF12M | 11 9/16" x 11 27/32" | - |
| DDF12VD | 11 9/16" x 13 3/8" | - |
| DDF15M | 14 9/16" x 11 27/32" | - |
| DDF15VD | 14 9/16" x 13 3/8" | - |
| DDF18M | 17 9/16" x 11 27/32" | - |
| DDF18VD | 17 9/16" x 13 3/8" | - |
| DDF21M | 20 9/16" x 11 27/32" | - |
| DDF21VD | 20 9/16" x 13 3/8" | - |
| DDF24M | 23 9/16" x 11 27/32" | - |
| DDF24VD | 23 9/16" x 13 3/8" | - |
| DDF27M | 26 9/16" x 11 27/32" | - |
| DDF30M | 29 9/16" x 11 27/32" | - |
| DDF33M | 32 9/16" x 11 27/32" | - |
| DDF36M | 35 9/16" x 11 27/32" | - |

| DRAWER FRONT DIMENSIONS | | |
|---|--------------------------|--------------------------|
| PART NAME | Full Overlay | Partial Overlay |
| | Dimensions (W x H) | Dimensions (W x H) |
| LARGE DRAWER FRONT - PARTIAL OVERLAY | | |
| DDF12D | - | 9 7/8" x 10 13/16" |
| DDF12D | - | 9 7/8" x 10 13/16" |
| DDF15D | - | 12 7/8" x 10 13/16" |
| DDF18D | - | 15 7/8" x 10 13/16" |
| DDF21D | - | 18 7/8" x 10 13/16" |
| DDF24D | - | 21 7/8" x 10 13/16" |
| DDF27D | - | 24 7/8" x 10 13/16" |
| DDF30D | - | 27 7/8" x 10 13/16" |
| DDF33D | - | 30 7/8" x 10 13/16" |
| DDF36D | - | 33 7/8" x 10 13/16" |
| 2DB DRAWER FRONT | | |
| DDF30 2DB | 29 9/16" x 14 27/32" | 27 7/8" x 13 13/16" |
| DDF36 2DB | 35 9/16" x 14 27/32" | 33 7/8" x 13 13/16" |
| MISCELLANEOUS DRAWER FRONT | | |
| DDFKDC27/21 | 20 9/16" x 4 7/16" | 18 7/8" x 3 3/4" |
| DDFKDC33/27 | 26 9/16" x 4 7/16" | 24 7/8" x 3 3/4" |
| DDFKDC36/33 | 32 9/16" x 4 7/16" | 30 7/8" x 3 3/4" |
| DDF SDC | 5 11/16" x 5 1/2" x 1/2" | 5 11/16" x 5 1/2" x 1/2" |

MISCELLANEOUS PARTS & ACCESSORIES

HINGES

| Part Name | Description |
|----------------------|--|
| HINGE 170 FRAMED | Door-to-frame hinge for BER, BSS, CAR or WER cabinet |
| HINGE ER | Door-to-door hinge for BER, BSS, CAR or WER cabinet |
| HINGE FOL 6WY 45 | Hinge with 6-Way Adjustment for FOL Door Styles |
| HINGE FACEMOUNT 45 | Hinge for Facemount Oven Applications |
| HINGE SOL 6WAY 45 | Hinge with 6-Way Adjustment for POL Door Styles |
| HINGE TILT OUT 45 | Hinge for Factory Installed Tilt Out Tray |
| HINGE FOL CC6WY 45 | Hinge with 6-Way Adjustment and CushionClose for FOL Doors using the Shallow Cup |
| HINGE FOL CC6WY 45DP | Hinge with 6-Way Adjustment and CushionClose for FOL Doors using the Deep Cup |
| HINGE CCFACEMOUNT 45 | Hinge with CushionClose for facemount Oven Applications |
| HINGE SOL CC6WAY 45 | Hinge with 6-Way Adjustment and CushionClose for all POL Door Styles |
| HINGE CC ANG RES CLP | Door Opening Angle Restriction Clip, 86 Degrees (for use on Integrated CushionClose Hinges Only, 10 per pack) |
| HINGE CC COVER CAP | Door Cover Cap to hide Frame to Hinge Screw (for use on Integrated CushionClose Hinges only, 2 per pack) |
| HINGE SPACER SHIM | Spacer Shim installed between the Hinge and Face Frame, adds inward left/right adjustment (for use on all hinges as needed, 10 per pack) |
| HINGE KIT TRI-VIEW | Hinge Kit for Tri-View Mirror |
| PCSK HINGE | Center Hinge for PCSK36 |

GLIDES/TRACKS/CHANNELS FOR 24" DEEP BASE,
24" DEEP DESK OR DEEP ROLL OUT TRAYS

| Part Name | Description |
|------------------|--|
| CHANNEL SS1 L | Left channel for side-mount DROT, BPPOK, ROTDK |
| CHANNEL SS1 R | Right channel for side-mount DROT, BPPOK, ROTDK |
| GLIDE DROTCCCL24 | Left CushionClose Glide for DROTCC, BPPOKCC, ROTDKCC |
| GLIDE DROTCCR24 | Right CushionClose Glide for DROTCC, BPPOKCC, ROTDKCC |
| GLIDE FD CCL24 | Left CushionClose Glide (24" deep Base/Desk) |
| GLIDE FD CCR24 | Right CushionClose Glide (24" deep Base/Desk) |
| GLIDE FD NCL24 | Left Full-Access Hidden Glide (24" deep Base/Desk) |
| GLIDE FD NCR24 | Right Full-Access Hidden Glide (24" deep Base/Desk) |
| GLIDE HD CCL24 | Left CushionClose Glide for 2 Drawer Base or Wastebasket Cabinets |
| GLIDE HD CCR24 | Right CushionClose Glide for 2 Drawer Base or Wastebasket Cabinets |
| GLIDE HD FAL24 | Left Full-Access Hidden Glide for Wastebasket Cabinets |
| GLIDE HD FAR24 | Right Full-Access Hidden Glide for Wastebasket Cabinets |
| TRACK GA 2IL | Left track for side-mount DROT, BPPOK, ROTDK |
| TRACK GA 2IR | Right track for side-mount DROT, BPPOK, ROTDK |

TRACKS/CHANNELS FOR 21" DEEP VANITY,
21" DEEP DESK OR VANITY LINEN

| Part Name | Description |
|--------------------|---|
| CHANNEL V L | Left channel for 21" deep Vanity, Desk or Vanity Linen side-mount DROT |
| CHANNEL V R | Right channel for 21" deep Vanity, Desk or Vanity Linen side-mount DROT |
| GLIDE DROTCCVLVC | Left CushionClose Glide for 21" deep Vanity, Desk or Vanity Linen DROTCC |
| GLIDE DROTCCRVLC | Right CushionClose Glide for 21" deep Vanity, Desk or Vanity Linen DROTCC |
| GLIDE FD CCL VAN21 | Left CushionClose Glide (21" deep Vanity/Desk) |
| GLIDE FD CCR VAN21 | Right CushionClose Glide (21" deep Vanity/Desk) |
| GLIDE FD NCL VAN21 | Left Full-Access Hidden Glide (21" deep Vanity/Desk) |
| GLIDE FD NCR VAN21 | Right Full-Access Hidden Glide (21" deep Vanity/Desk) |
| GLIDE HD CCL21 | Left CushionClose Glide for Desk/Vanity Wastebasket Cabinets |
| GLIDE HD CCR21 | Right CushionClose Glide for Desk/Vanity Wastebasket Cabinets |
| GLIDE HD FAL21 | Left Full-Access Glide for Desk/Vanity Wastebasket Cabinets |
| GLIDE HD FAR21 | Right Full-Access Glide for Desk/Vanity Wastebasket Cabinets |
| TRACK V L | Left track for 21" deep Vanity, Desk, or Vanity Linen side-mount DROT |
| TRACK V R | Right track for 21" deep Vanity, Desk or Vanity Linen side-mount DROT |

GLIDES FOR 18" DEEP VANITY & KNEEHOLE DRAWER CABINET

| Part Name | Description |
|----------------|--|
| GLIDE CCL FD18 | Left CushionClose Glide (18" deep Vanity/Kneehole Drawer) |
| GLIDE CCR FD18 | Right CushionClose Glide (18" deep Vanity/Kneehole Drawer) |
| GLIDE FD NCL18 | Left Full-Access Hidden Glide (18" deep Vanity/Kneehole Drawer) |
| GLIDE FD NCR18 | Right Full-Access Hidden Glide (18" deep Vanity/Kneehole Drawer) |

TILT-OUT TRAY KITS (FIELD INSTALLED)

| Part Name | Description |
|----------------|--|
| STO/TO TRAY 11 | Order (1) for SB18 - Order (2) for SB33 BUTT or SB36 BUTT |
| STO/TO TRAY 14 | Order (1) for SB21, SB24, SB24 BUTT, SB27 BUTT or CSF42 Order (2) for SB39, SB42, or SB48 |
| STO/TO TRAY 22 | Order (1) for SB30 BUTT |

SCREWS

| Part Name | Description |
|----------------------|--|
| SCREW BOLT EXT RD FG | Bolt for RD extender |
| SCREW BRACKET DDF | Screw to attach DDF BRACKET _OL L Bracket to drawer fronts (2 per bracket) |
| SCREW BRACKET DRB | Screw to attach DDF BRACKET _OL L Bracket to drawer bodies (2 per bracket) |
| SCREW CHANNEL | Channel installation screw (1 per channel) |
| SCREW DDF | Drawer front installation screw |
| SCREW DDF 5PC | Screw for 5-piece drawer fronts |
| SCREW DDF SDC 7/8" | SDC drawer front installation screw (1 per drawer body) |
| SCREW EXTENDER RD | Screw for RD extender (1 per extender) |
| SCREW GLIDE FD | Adjustment screw for Full-Access Hidden Glide (1 per glide) |
| SCREW HINGE/DR | Hinge-to-door screw (2 per hinge) |
| SCREW HINGE/FR | Hinge-to-frame screw (1 per hinge) |
| SCREW NUT EXT RD FG | Nut for RD extender |
| SCREW TRACK | Track screw (3 per track) |

MISCELLANEOUS PARTS & ACCESSORIES

CLIPS / BRACKETS

| Part Name | Description |
|-----------------------|--|
| BRACKET CHAN B | Back bracket for side-mount Deep Roll Out Tray |
| BRACKETDROT FRT MTL | Front bracket for GLIDE DROTCC__24 |
| BRACKET GL B DROTAL | Left back bracket for DROT CushionClose Glides |
| BRACKET GL B DROTFR | Right back bracket for DROT CushionClose Glides |
| BRACKET GL B DROTUNI | Back bracket for CC DROT's in 24" deep cabinets (2 per DROT) |
| BRACKET GL PBC L FG | Left back bracket for Peninsula Base Corner (PBC) Full-Access Hidden Glide |
| BRACKET GL PBC R FG | Right back bracket for Peninsula Base Corner (PBC) Full-Access Hidden Glide |
| BRACKET GL BD RDL FG | Left back bracket for any bottom drawer using the GLIDE FD CCL__ W/EXT (excluding PB, PBC, 2DB) |
| BRACKET GL BD RDR FG | Right back bracket for any bottom drawer using the GLIDE FD CCR__ W/EXT (excluding PB, PBC, 2DB) |
| BRACKET GL BD UNI FG | Left/Right back bracket for any bottom drawer using the Full-Access Glide (excluding PB, PBC, 2DB) |
| BRACKET GL BD UNI FG | Left/Right back bracket for any bottom drawer using the GLIDE FD CC__ (excluding PB, PBC, 2DB) |
| BRACKET GL PB L FG | Left back bracket for Peninsula Base Full-Access Hidden Glide |
| BRACKET GL PB R FG | Right back bracket for Peninsula Base Full-Access Hidden Glide |
| BRACKET GL UD RDL FG | Left back bracket for any upper drawer(s) that uses the GLIDE FD CCL__ W/EXT (excluding PB, PBC, 2DB) |
| BRACKET GL UD RDR FG | Right back bracket for any upper drawer(s) that uses the GLIDE FD CCR__ W/EXT (excluding PB, PBC, 2DB) |
| BRACKET GL UD UNI FG | Left/Right back bracket for any upper drawer(s) that use the GLIDE FD CC__ (excluding PB, PBC, 2DB) |
| BRACKET RD DROT L FA | Left back bracket for reduced depth GLIDE DROTCCL__ |
| BRACKET RD DROT R FA | Right back bracket for reduced depth GLIDE DROTCCR__ |
| BRACKET RED DP REAR | Back bracket for reduced depth Side-Mounted Glide |
| BRACKET GLIDE HD BOT | Bottom bracket for 2 Drawer Base or Wastebasket Cabinets |
| CLIP HD DRB BACK L | Left back bracket for 2 Drawer Base or Wastebasket Cabinets |
| CLIP HD DRB BACK R | Right back bracket for 2 Drawer Base or Wastebasket Cabinets |
| CLIP DDF | Drawer front clip |
| CLIP LOCK 3/4 4 PK | Package of four locking shelf rests for Base and Tall cabinet shelves |
| CLIP MIRROR MCM FOL | Clip for MCM1530 Full Overlay Mirror door |
| CLIP MIRROR MCM SOL | Clip for MCM1530 Partial Overlay Mirror door |
| CLIP MIRROR TRIVIEW | Clip for TV3030/TV3630 Tri-View Mirror door |
| CLIP PILASTER | Shelf Rest for PSK36 Shelf & Pilaster Kit |
| CLIP REAR SHELF | Middle shelf rest for 30" or wider Wall cabinet shelf |
| CLIP SHELF NP SPIN | Locking shelf clip for NP Spin Units (Base 4 required, Wall 5 required) |
| DDF BRACKET FOL | Attachment bracket for Brookland w/ DFO, Garner w/ DFO and Reading Duraform w/ DFO drawer fronts and all FOL doors on Wastebasket and File Pull Out cabinets |
| DDF BRACKET CCAP FOL | Attachment bracket cover cap for Brookland w/ DFO, Garner w/ DFO and Reading Duraform w/ DFO drawer fronts and all FOL doors on Wastebasket and File Pull Out cabinets |
| DDF BRACKET SOL | Attachment bracket for Glen Ellen w/ DFO drawer fronts and all POL doors on Wastebasket and File Pull Out cabinets |
| DDF BRACKET CCAP SOL | Attachment bracket cover cap for Glen Ellen w/ DFO drawer fronts and all POL doors on Wastebasket and File Pull Out cabinets |
| DDF BRACKET FOL OVEN | Oven DDF attachment bracket for Brookland w/ DFO, Garner w/ DFO and Reading Duraform w/ DFO door styles |
| DDF BKT CCAP FOL OVEN | Cover cap oven DDF attachment bracket for Brookland w/ DFO, Garner w/ DFO and Reading Duraform w/ DFO door styles |
| DDF BRACKET SOL OVEN | Oven DDF attachment bracket for Glen Ellen w/ DFO door styles |
| DDF BKT CCAP SOL OVEN | Cover cap oven DDF attachment bracket for Glen Ellen w/ DFO door styles |
| DRB MOUNT CLIP L FD | Left drawer release clip for Left Full-Access Hidden Glide |
| DRB MOUNT CLIP R FD | Right drawer release clip for Left Full-Access Hidden Glide |
| DRB MOUNT CLIP R FD | Right drawer release clip for Left Full-Access Hidden Glide |

CLIPS / BRACKETS

| Part Name | Description |
|----------------------|---|
| DROTFA MOUNT CLIP L | Left release clip for GLIDE DROTCC__24 |
| DROTFA MOUNT CLIP R | Right release clip for GLIDE DROTCC__24 |
| DRB HD MOUNT CLIP L | Left drawer release clip for 2 Drawer Base or Wastebasket Cabinets |
| DRB HD MOUNT CLIP R | Right drawer release clip for 2 Drawer Base or Wastebasket Cabinets |
| SHELF REST METAL 4PK | Package of four metal shelf rests for Wall or Bookshelf shelves |
| SHELF REST METAL 12 | Package of twelve metal shelf rests for Wall or Bookshelf shelves |
| SHELF REST MFD PK | Package of eight shelf rests for Mullion Frame Door Wall cabinet shelves |
| SHELF SUPT ADJ BASE | Middle shelf rest for 27" or wider Base cabinet shelf |
| SPACER GL BD FRT FG | Left/Right front drawer clip for bottom drawer on VDB__34H & DB__cabinets (excluding 2DB) |
| SPACER GL KDC FRT FG | Left/Right front drawer clip for KDC |

WHITE PLASTIC SPIN SHELVES AND PARTS

| Part Name | Description |
|----------------------|--|
| BSSCAR HUB RAS | With rollers, fits into shelf for pole attachment (1 required) |
| BSSCWSCAR BRKT RAS | Top and bottom mounting brackets (1 required) |
| BSSCWSCAR COLLAR ASM | Locking adjustable shelf collar for top shelf (1 required) |
| BSSCWSCAR T-SHAFT RA | Metal post on which shelves spin (1 required) |
| BSS33 SHELF RAS | White spin shelf for BSS33/BSS3336/BSS3633 (2 required) |
| BSS36 SHELF RAS | White spin shelf for BSS36 (2 required) |
| CAR SHELF RAS | White spin shelf for CAR36 (2 required) |
| CBS SHELF RAS | White spin shelf for CBS36 (2 required) |
| CWS HUB RAS | With rollers, fits into shelf for pole attachment (1 required) |
| CWS SHELF RAS | White spin shelf for CWS2430 (2 required) |
| BSS33 UNIT RAS | Entire plastic spin unit for BSS33 |
| BSS36 UNIT RAS | Entire plastic spin unit for BSS36 |

WOOD SPIN SHELF UNITS
FOR ALL PLYWOOD CONSTRUCTION - ADD "PLY" TO END OF SKU NAME

| Part Name | Description |
|---------------------|---|
| BSS33 SHELF WD NP | Wood spin unit and shelf for BSS33 WD (2 required) |
| BSS3336 SHELF WD NP | Wood spin unit and shelf for BSS3336 WD (2 required) |
| BSS36 SHELF WD NP | Wood spin unit and shelf for BSS36 WD (2 required) |
| BSS3633 SHELF WD NP | Wood spin unit and shelf for BSS3633 WD (2 required) |
| CBS36 SHELF WD NP | Wood spin unit and shelf for CBS36 WD (2 required) |
| CWS24 SHELF WD NP | Wood spin unit and shelf for CWS2430 WD, CWS2436 WD, CWS2442 WD and CWS2448 WD (2 required) |

FLOATING SHELVES

| Part Name | Description |
|---------------------|--|
| FLSH PLY MOUNT 24 | Mounting strip for 24" wide Floating Shelf |
| FLSH PLY MOUNT 30 | Mounting strip for 30" wide Floating Shelf |
| FLSH PLY MOUNT 36 | Mounting strip for 36" wide Floating Shelf |
| FLSH PLY MOUNT 42 | Mounting strip for 42" wide Floating Shelf |
| FLSH PLY MOUNT 48 | Mounting strip for 48" wide Floating Shelf |
| FLSH MOUNT BRACKETS | Mounting brackets for Floating Shelves (screws included) |

MISCELLANEOUS PARTS & ACCESSORIES

MISCELLANEOUS SHELVING

| Part Name | Description |
|-----------------|--|
| BS18 SHELF 1PK | Single Shelf for BSPLY18 |
| BS18 SHELF 4PK | 4 Pack Shelf Kit for BSPLY18 |
| BS24 SHELF 1PK | Single Shelf for BSPLY24 |
| BS24 SHELF 4PK | 4 Pack Shelf Kit for BSPLY24 |
| BS30 SHELF 1PK | Single Shelf for BSPLY30 |
| BS30 SHELF 4PK | 4 Pack Shelf Kit for BSPLY30 |
| BS36 SHELF 1PK | Single Shelf for BSPLY36 |
| BS36 SHELF 4PK | 4 Pack Shelf Kit for BSPLY36 |
| S369 | Shelf for PSK36 Shelf & Pilaster Kit |
| S924 | Adjustable shelf for TB9 |
| WCMSC2412 SHELF | Microwave shelf for WCMSC241236 BUTT |
| WCMSC2712 SHELF | Microwave shelf for WCMSC271236 BUTT |
| WMSC2712 SHELF | Microwave shelf for WMSC271236 BUTT |
| WMSC2718 SHELF | Microwave shelf for WMSC271836 BUTT/ WMSC271842 BUTT |
| WMSC3012 SHELF | Microwave shelf for WMSC301236 |

MISCELLANEOUS

| Part Name | Description |
|----------------------|---|
| BASE CORNER BLOCK WD | Plywood corner block |
| BFP3 FRONT FILLER | Filler for BFP3 Base Filler Pull Out |
| BFP6 FRONT FILLER | Filler for BFP6 Base Filler Pull Out |
| BPP12 KIT | Kit for BPP12 Base Pull Out |
| BPP9 KIT | Kit for BPP9 Base Pull Out |
| BTDP9 KIT | Kit for BTDP9 Base Tray Divider Pull Out |
| BPPUS12 KIT | Kit for BPPUS12 Base Pull Out Utensil Storage |
| BPPUS9 KIT | Kit for BPPUS9 Base Pull Out Utensil Storage |
| BUMPER CLEAR | Door bumper (Strip of 4 bumpers) |
| BUMPER CLEAR 55 | Door bumper (Strip of 55 bumpers) |
| BUMPER CLEAR DT | Door bumper for textured Duraform door styles (Strip of 4 bumpers) |
| BUMPER CLEAR DT 55 | Door bumper for textured Duraform door styles (Strip of 55 bumpers) |
| BUMPER CLEAR DWR | Drawer bumper (Strip of 4 bumpers) |
| BWBB15 FH FOL KIT | Wastebasket kit for FOL BWBB15 FH |
| BWBB15 FH SOL KIT | Wastebasket kit for POL BWBB15 FH |
| BWBB15 FOL KIT | Wastebasket kit for FOL BWBB15 |
| BWBB15 SOL KIT | Wastebasket kit for POL BWBB15 |
| BWBB15-2 FOL KIT | Wastebasket kit for FOL BWBB15-2 |
| BWBB15-2 SOL KIT | Wastebasket kit for POL BWBB15-2 |
| BWBB18 FH FOL KIT | Wastebasket kit for FOL BWBB18 FH |
| BWBB18 FH SOL KIT | Wastebasket kit for POL BWBB18 FH |
| BWBB18-2 FOL KIT | Wastebasket kit for FOL BWBB18-2 |
| BWBB18-2 SOL KIT | Wastebasket kit for POL BWBB18-2 |
| BWBB21-2 FH FOL KIT | Wastebasket kit for FOL BWBB21-2 FH |
| BWBB21-2 FH SOL KIT | Wastebasket kit for POL BWBB21-2 FH |
| BWBB21-2 FOL KIT | Wastebasket kit for FOL BWBB21-2 |
| BWBB21-2 SOL KIT | Wastebasket kit for POL BWBB21-2 |
| COVER CAP 10MM TAN | Tan cover cap for cabinet backs (4 per pack) |
| COVER CAP 10MM WHT | White cover cap for cabinet backs (4 per pack) |
| DFDC FILE UNIT 21 | File unit for DFDC1821 |
| DFDC FILE UNIT 24 | File unit for DFDC1824 |
| DWBB1821 FOL KIT | Wastebasket kit for FOL DWBB1821 |
| DWBB1821 SOL KIT | Wastebasket kit for POL DWBB1821 |
| DWBB1824 FOL KIT | Wastebasket kit for FOL DWBB1824 |
| DWBB1824 SOL KIT | Wastebasket kit for POL DWBB1824 |
| FRAME SPACER BPP9 | Unit stabilizer and frame spacer for BPP9, BPP12, BPPUS9, BPPUS12 & BTDP9 |

MISCELLANEOUS

| Part Name | Description |
|-----------------------|--|
| MAG CATCH TV BLK | Black magnetic catch for TV3030/TV3630 Tri-View Mirror |
| KNOB SDC | Wooden knob for SDC/BSDC6 |
| LATCH TILT OUT TRAY | Replacement Latch for Factory Installed Tilt-Out Tray (1 required) (1 required per mirror) |
| MAG CATCH TV WHT | White magnetic catch for TV3030/TV3630 Tri-View Mirror (1 required per mirror) |
| MC SHELF HDW | Package of 4 shelf clips for MC/MCM cabinet |
| MIRROR TV3030 | Mirror for TV3030 |
| MIRROR TV3630 | Mirror for TV3630 |
| PDO30 | Peg Dish Organizer for 30" 2 Drawer Base |
| PDO36 | Peg Dish Organizer for 36" 2 Drawer Base |
| PEG KIT 4 PK | Package of 4 pegs for Peg Dish Organizer |
| PK36 | Pilaster kit for PSK36 Shelf & Pilaster Kit |
| PULL TRIVIEW | Chrome pull for TV3030/TV3630 Tri-View Mirror |
| ROT DIVIDER KIT | Divider for ROTDK12/ROTDK15 |
| ROT PROTECTOR | End plastic protector on Deep Roll Out Trays (2 required per DROT) |
| SDROT30 | Scalloped Deep Roll Out Tray for DB30 2DWR |
| SDROT36 | Scalloped Deep Roll Out Tray for DB36 2DWR |
| TRAY ST TILT OUT 11 | Stainless Tray ONLY for Factory Installed Tilt-Out |
| TRAY ST TILT OUT 14 | Stainless Tray ONLY for Factory Installed Tilt-Out |
| TRAY ST TILT OUT 22 | Stainless Tray ONLY for Factory Installed Tilt-Out |
| TRAY TILT OUT 11 | Plastic Tray ONLY for Factory Installed Tilt-Out |
| TRAY TILT OUT 14 | Plastic Tray ONLY for Factory Installed Tilt-Out |
| TRAY TILT OUT 22 | Plastic Tray ONLY for Factory Installed Tilt-Out |
| VWBB1834H FOL KIT | Wastebasket kit for FOL VWBB1834H |
| VWBB1834H SOL KIT | Wastebasket kit for POL VWBB1834H |
| WASTEBASKET 27QT SLV | Silver 27 quart wastebasket |
| WASTEBASKET 35QT SLV | Silver 35 quart wastebasket |
| WASTEBASKETT 50QT SLV | Silver 50 quart wastebasket |
| WCC DOWEL | Dowel for WCC cabinet |
| WCC24 4PC RAIL | Top and bottom dowel rails for WCC2415 |
| WCC30 4PC RAIL | Top and bottom dowel rails for WCC3015 |
| WCC36 4PC RAIL | Top and bottom dowel rails for WCC3615 |
| WOOD SPIN HOLE PLUG | Access hole plug for wood spin shelf on CBS and CWS cabinets |
| WTH DOOR STAY | One Door Stay for Wall Top Hinge cabinet (qty 2 per door) |
| WTH DR STAY DR BRK | One Door Bracket for WTH DOOR STAY (qty 2 per door) |
| WTH DR STAY FR BRK | One Frame bracket for WTH DOOR STAY (qty 2 per door) |
| WTH HEX KEY BAG | One Hex Key for WTH DOOR STAY |

REPLACEMENT PARTS REFERENCE SHEET

REPLACEMENT PARTS FOR FULL-ACCESS 21" DEEP
VANITY AND DESK DRAWERS

| Part Name | Description |
|----------------------|---|
| DRB__X18DP DT FD | Small drawer body - release clips attached |
| DRB__M X18DP DT FD | Large drawer body - release clips attached |
| GLIDE FD NCL VAN21 | Left Full-Access Glide (qty 1 per drawer) |
| GLIDE FD NCR VAN21 | Right Full-Access Glide (qty 1 per drawer) |
| BRACKET GL BD UNI FG | Back bracket for any bottom drawer (qty 2 per drawer) |
| BRACKET GL UD UNI FG | Back bracket for any upper drawer (qty 2 per drawer) |
| SCREW GLIDE FD | Screw to attach front clip for drawer (qty 2 per drawer) |
| DRB MOUNT CLIP L FD | Left drawer release clip for drawer glide - included with replacement drawer body (qty 1 per drawer) |
| DRB MOUNT CLIP R FD | Right drawer release clip for drawer glide - included with replacement drawer body (qty 1 per drawer) |

REPLACEMENT PARTS FOR CUSHIONCLOSE 21" DEEP
VANITY AND DESK DRAWERS

| Part Name | Description |
|----------------------|---|
| DRB__X18DP DT FD | Small drawer body - release clips attached |
| DRB__M X18DP DT FD | Large drawer body - release clips attached |
| GLIDE FD CCL VAN21 | Left CushionClose Glide (qty 1 per drawer) |
| GLIDE FD CCR VAN21 | Right CushionClose Glide (qty 1 per drawer) |
| BRACKET GL BD UNI FG | Back bracket for any bottom drawer (qty 2 per drawer) |
| BRACKET GL UD UNI FG | Back bracket for any upper drawer (qty 2 per drawer) |
| SCREW GLIDE FD | Screw to attach front clip for drawer (qty 2 per drawer) |
| DRB MOUNT CLIP L FD | Left drawer release clip for drawer glide - included with replacement drawer body (qty 1 per drawer) |
| DRB MOUNT CLIP R FD | Right drawer release clip for drawer glide - included with replacement drawer body (qty 1 per drawer) |

REPLACEMENT PARTS FOR SIDE-MOUNTED
21" DEEP VLC DROT'S

| Part Name | Description |
|----------------|--|
| DROT__21 | Deep Roll Out Tray Kit (ships with ALL installation hardware) |
| CHANNEL V L | Left channel for roll out tray - attaches to cabinet (qty 1 per drawer) |
| CHANNEL V R | Right channel for roll out tray - attaches to cabinet (qty 1 per drawer) |
| TRACK V L | Left track for roll out tray - attaches to drawer body (qty 1 per drawer) |
| TRACK V R | Right track for roll out tray - attaches to drawer body (qty 1 per drawer) |
| BRACKET CHAN B | Back bracket for channel - attaches channel to cabinet (qty 2 per drawer) |
| SCREW CHANNEL | Channel screw - attaches channel to face frame (qty 2 per sliding shelf) |
| SCREW TRACK | Track screw - attaches track to drawer body (qty 6 per sliding shelf) |

REPLACEMENT PARTS FOR 21" DEEP
CUSHIONCLOSE VLC DROT'S

| Part Name | Description |
|----------------------|---|
| DROT__21 | Deep Roll Out Tray Kit (ships with ALL installation hardware) |
| GLIDE DROT CCLVLC | Left CushionClose Glide (qty 1 per roll out tray) |
| GLIDE DROT CCRVLC | Right CushionClose Glide (qty 1 per roll out tray) |
| SCREW GLIDE CC | Attachment screws for front brackets (2 per roll out tray) |
| BRACKET RD DROT L FA | Left back bracket for DROT glide (qty 1 per roll out tray) |
| BRACKET RD DROT R FA | Right back bracket for DROT glide (qty 1 per roll out tray) |
| BRACKETDROT FRT MTL | Front bracket for drawer glide - will ship with attachment screws (qty 2 per roll out tray) |
| DROTFA MOUNT CLIP L | Left release clip for roll out tray |
| DROTFA MOUNT CLIP R | Right release clip for roll out tray |

REPLACEMENT PARTS FOR 24" DEEP
FULL-ACCESS BASE AND DESK DRAWERS

| Part Name | Description |
|----------------------|---|
| DRB__X21DP DT FD | Small drawer body - release clips attached |
| DRB__M X21DP DT FD | Large drawer body - release clips attached |
| GLIDE FD NCL24 | Left Full-Access Hidden Glide (qty 1 per drawer) |
| GLIDE FD NCR24 | Right Full-Access Hidden Glide (qty 1 per drawer) |
| BRACKET GL BD UNI FG | Back bracket for any bottom drawer (qty 2 per drawer) |
| BRACKET GL UD UNI FG | Back bracket for any upper drawer (qty 2 per drawer) |
| SCREW GLIDE FD | Screw to attach front clip for drawer (qty 2 per drawer) |
| DRB MOUNT CLIP L FD | Left drawer release clip for drawer glide - included with replacement drawer body (qty 1 per drawer) |
| DRB MOUNT CLIP R FD | Right drawer release clip for drawer glide - included with replacement drawer body (qty 1 per drawer) |

REPLACEMENT PARTS FOR 24" DEEP
CUSHIONCLOSE BASE AND DESK DRAWERS

| Part Name | Description |
|----------------------|---|
| DRB__X21DP DT FD | Small drawer body - release clips attached |
| DRB__M X21DP DT FD | Large drawer body - release clips attached |
| GLIDE FD CCL24 | Left CushionClose Glide (qty 1 per drawer) |
| GLIDE FD CCR 24 | Right CushionClose Glide (qty 1 per drawer) |
| BRACKET GL BD UNI FG | Back bracket for any bottom drawer (qty 2 per drawer) |
| BRACKET GL UD UNI FG | Back bracket for any upper drawer (qty 2 per drawer) |
| SCREW GLIDE FD | Screw to attach front clip for drawer (qty 2 per drawer) |
| DRB MOUNT CLIP L FD | Left drawer release clip for drawer glide - included with replacement drawer body (qty 1 per drawer) |
| DRB MOUNT CLIP R FD | Right drawer release clip for drawer glide - included with replacement drawer body (qty 1 per drawer) |

REPLACEMENT PARTS FOR SIDE-MOUNTED
24" DEEP DROT'S/BPPOK'S/ROTDK'S

| Part Name | Description |
|----------------|--|
| DROT__ | Deep Roll Out Tray Kit (ships with ALL installation hardware) |
| CHANNEL SSIL | Left channel for roll out tray - attaches to cabinet (qty 1 per drawer) |
| CHANNEL SSIR | Right channel for roll out tray - attaches to cabinet (qty 1 per drawer) |
| TRACK GA 2IL | Left track for roll out tray - attaches to drawer body (qty 1 per drawer) |
| TRACK GA 2IR | Right track for roll out tray - attaches to drawer body (qty 1 per drawer) |
| BRACKET CHAN B | Back bracket for channel - attaches channel to cabinet (qty 2 per drawer) |
| SCREW CHANNEL | Channel screw - attaches channel to face frame (qty 2 per sliding shelf) |
| SCREW TRACK | Track screw - attaches track to drawer body (qty 6 per sliding shelf) |

REPLACEMENT PARTS FOR 24" DEEP
CUSHIONCLOSE DROT'S/BPPOK'S/ROTDK'S

| Part Name | Description |
|----------------------|---|
| DROT__ | Deep Roll Out Tray Kit (ships with ALL installation hardware) |
| GLIDE DROT CCL24 | Left CushionClose Glide (qty 1 per roll out tray) |
| GLIDE DROT CCR24 | Right CushionClose Glide (qty 1 per roll out tray) |
| SCREW GLIDE CC | Attachment screws for front brackets (2 per roll out tray) |
| BRACKET GL B DROTUNI | Back bracket for drawer glide (qty 2 per roll out tray) |
| BRACKETDROT FRT MTL | Front bracket for drawer glide - will ship with attachment screws (qty 2 per roll out tray) |
| DROTFA MOUNT CLIP L | Left release clip for roll out tray |
| DROTFA MOUNT CLIP R | Right release clip for roll out tray |

REPLACEMENT PARTS REFERENCE SHEET

| REPLACEMENT PARTS FOR FULL-ACCESS KNEEHOLE DRAWERS | |
|---|---|
| Part Name | Description |
| DRBKDC_X15DP DT FD | Drawer body - release clips attached |
| GLIDE FD NCL18 | Left Full-Access Hidden Glide (qty 1 per drawer) |
| GLIDE FD NCR18 | Right Full-Access Hidden Glide (qty 1 per drawer) |
| BRACKET GL UD UNI FG | Back bracket (qty 2 per drawer) |
| SCREW GLIDE FD | Screw to attach front clip for drawer (qty 2 per drawer) |
| DRB MOUNT CLIP L FD | Left drawer release clip for drawer glide - included with replacement drawer body (qty 1 per drawer) |
| DRB MOUNT CLIP R FD | Right drawer release clip for drawer glide - included with replacement drawer body (qty 1 per drawer) |

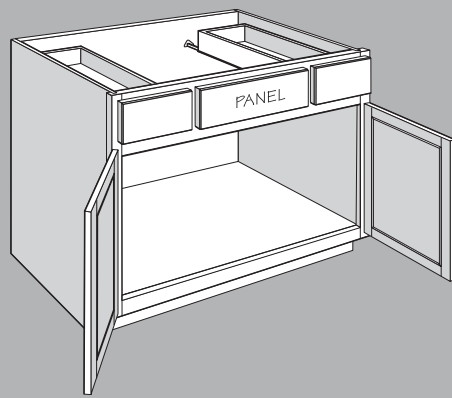
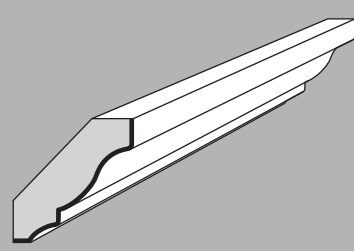
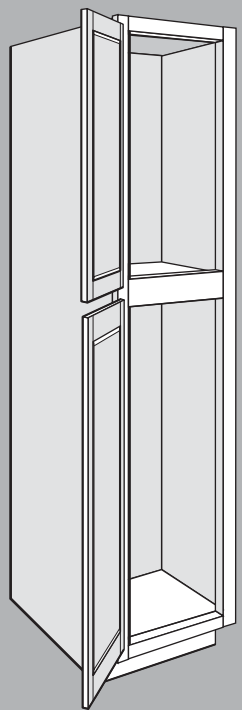
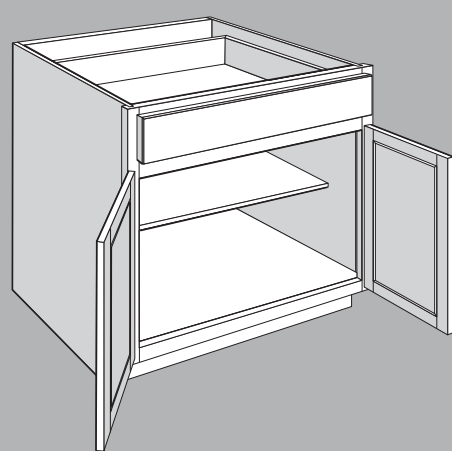
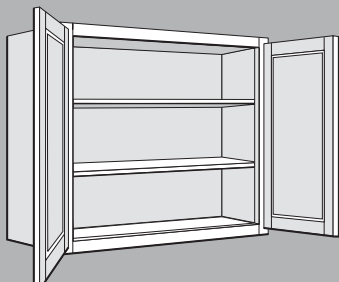
| REPLACEMENT PARTS FOR CUSHIONCLOSE KNEEHOLE DRAWERS | |
|--|---|
| Part Name | Description |
| DRBKDC_X15DP DT FD | Small drawer body - release clips attached |
| GLIDE FD CCL18 | Left CushionClose Glide (qty 1 per drawer) |
| GLIDE FD CCR18 | Right CushionClose Glide (qty 1 per drawer) |
| BRACKET GL UD UNI FG | Back bracket (qty 2 per drawer) |
| SCREW GLIDE FD | Screw to attach front clip for drawer (qty 2 per drawer) |
| DRB MOUNT CLIP L FD | Left drawer release clip for drawer glide - included with replacement drawer body (qty 1 per drawer) |
| DRB MOUNT CLIP R FD | Right drawer release clip for drawer glide - included with replacement drawer body (qty 1 per drawer) |

| REPLACEMENT PARTS FOR WASTEBASKET WITH FULL-ACCESS GLIDES | |
|--|---|
| Part Name | Description |
| BWBB____OL KIT | Base Bottom Mounted Wastebasket Kit (includes all installation items) |
| DWBB18____OL KIT | Desk Bottom Mounted Wastebasket Kit (includes all installation items) |
| VWBB1834H____OL KIT | Vanity Bottom Mounted Wastebasket Kit (includes all installation items) |
| GLIDE HD FAL21 | Left Full-Access Heavy Duty Glide for DWBB1821, VWBB1834H (qty 1 per pullout) |
| GLIDE HD FAL24 | Left Full-Access Heavy Duty Glide for BWBB___, DWBB1824 (qty 1 per pullout) |
| GLIDE HD FAR21 | Right Full-Access Heavy Duty Glide for DWBB1821, VWBB1834H (qty 1 per pullout) |
| GLIDE HD FAR24 | Right Full-Access Heavy Duty Glide for BWBB___, DWBB1824 (qty 1 per pullout) |
| CLIP HD DRB BACK L | Left back clip for wastebasket pullout (qty 1 per glide) |
| CLIP HD DRB BACK R | Right back clip for wastebasket pullout (qty 1 per glide) |
| SCREW GLIDE FD | Screw that attaches glide brackets to front face frame of cabinet (qty 1 per glide) |
| SCREW TRACK | Screw that attaches the door to the drawer box using "L" brackets (qty 2 per bracket) |
| SCREW BRACKET DDF | Attaches "L" bracket to drawer front (qty 2 per bracket) |
| SCREW BRACKET DRB | Attaches "L" bracket to drawer box (qty 2 per bracket) |
| BRACKET GLIDE HD BOT | Heavy Duty Glide back bracket - mounts to cabinet floor (qty 1 per glide) |
| DDF BRACKET FOL | Metal "L" bracket for FOL door attachment (qty 4 per door) |
| DDF BRACKET CCAP FOL | Plastic "L" bracket cover cap for DDF BRACKET FOL (qty 1 per bracket) |
| DDF BRACKET SOL | Metal "L" bracket for POL door attachment (qty 4 per door) |
| DDF BRACKET CCAP SOL | Plastic "L" bracket cover cap for DDF BRACKET POL (qty 1 per bracket) |
| WASTEBASKET 27QT SLV | Silver 27 quart wastebasket |
| WASTEBASKET 35QT SLV | Silver 35 quart wastebasket |
| WASTEBASKET 50QT SLV | Silver 50 quart wastebasket |

| REPLACEMENT PARTS FOR WASTEBASKET WITH CUSHIONCLOSE GLIDES | |
|---|---|
| Part Name | Description |
| BWBB____OL KIT | Base Bottom Mounted Wastebasket Kit (includes all installation items) |
| DWBB18____OL KIT | Desk Bottom Mounted Wastebasket Kit (includes all installation items) |
| VWBB1834H____OL KIT | Vanity Bottom Mounted Wastebasket Kit (includes all installation items) |
| GLIDE HD CCL21 | Left CushionClose Heavy Duty Glide for DWBB1821, VWBB1834H (qty 1 per pullout) |
| GLIDE HD CCR21 | Right CushionClose Heavy Duty Glide for DWBB1821, VWBB1834H (qty 1 per pullout) |
| GLIDE HD CCL24 | Left CushionClose Heavy Duty Glide for BWBB___, DWBB1824 (qty 1 per pullout) |
| GLIDE HD CCR24 | Right Cushion Close Heavy Duty Glide for BWBB___, DWBB1824 (qty 1 per pullout) |
| CLIP HD DRB BACK L | Left back clip for wastebasket pullout (qty 1 per glide) |
| CLIP HD DRB BACK R | Right back clip for wastebasket pullout (qty 1 per glide) |
| SCREW GLIDE FD | Screw that attaches glide brackets to front face frame of cabinet (qty 1 per glide) |
| SCREW TRACK | Screw that attaches the door to the drawer box using "L" brackets (qty 2 per bracket) |
| SCREW BRACKET DDF | Attaches "L" bracket to drawer front (qty 2 per bracket) |
| SCREW BRACKET DRB | Attaches "L" bracket to drawer box (qty 2 per bracket) |
| BRACKET GLIDE HD BOT | Heavy Duty Glide back bracket - mounts to cabinet floor (qty 1 per glide) |
| DDF BRACKET FOL | Metal "L" bracket for FOL door attachment (qty 4 per door) |
| DDF BRACKET CCAP FOL | Plastic "L" bracket cover cap for DDF BRACKET FOL (qty 1 per bracket) |
| DDF BRACKET SOL | Metal "L" bracket for POL door attachment (qty 4 per door) |
| DDF BRACKET CCAP SOL | Plastic "L" bracket cover cap for DDF BRACKET SOL (qty 1 per bracket) |
| WASTEBASKET 27QT SLV | Silver 27 quart wastebasket |
| WASTEBASKET 35QT SLV | Silver 35 quart wastebasket |
| WASTEBASKET 50QT SLV | Silver 50 quart wastebasket |

| REPLACEMENT PARTS FOR TWO DRAWER BASE DRAWERS | |
|--|---|
| Part Name | Description |
| DRB___ HD X 21DP DT FD | Drawer body - release clips attached |
| GLIDE HD CCL24 | Left CushionClose Glide (qty 1 per drawer) |
| GLIDE HD CCR24 | Right CushionClose Glide (qty 1 per drawer) |
| CLIP HD DRB BACK L | Left back bracket for drawer glide (qty 1 per drawer) |
| CLIP HD DRB BACK R | Right back bracket for drawer glide (qty 1 per drawer) |
| BRACKET GL HD BOT | Bottom bracket for glide (qty 2 per drawer) |
| SCREW GLIDE FD | Screw to attach front clip for drawer (qty 2 per drawer) |
| DRB HD MOUNT CLIP L | Left drawer release clip for drawer glide - included with replacement drawer body (qty 1 per drawer) |
| DRB HD MOUNT CLIP R | Right drawer release clip for drawer glide - included with replacement drawer body (qty 1 per drawer) |

Index



| | SKU | Spec |
|---|-----------|----------|
| A | | |
| Accent Turned Foot | ATF__ | 216 |
| Adjustable Shelf Kit | S/SK__ | 156, 176 |
| All Plywood Construction Option | APC | 52 |
| Angle Crown Molding | ACM8 | 185 |
| Angled Corbel | AS12 | 214 |
| Angled Outside Corner Molding | AOSC8 | 192 |
| Appliance Garage | AG__ | 98 |
| Arched Valance | V__ AR | 209 |
| Artisan Range Hood | RH__ A | 102 |
| Asymmetrical Base Easy Reach | BER__ | 129 |
| Asymmetrical Base Super Susan with Plastic Spin Shelves | BSS__ | 131 |
| Asymmetrical Base Super Susan with Wood Spin Units | BSS__ WD | 130 |
| B | | |
| Base Bookshelf | BSPLY2434 | 133, 160 |
| Base Cabinet, 1 Bottom Mount Wastebasket | BWBB15 | 111 |
| Base Cabinet, 1 Deep Roll Out Tray | B__ FWT | 109 |
| Base Cabinet, 2 Deep Roll Out Trays and Shelf | B__ 2T | 109 |
| Base Cabinet, 2 Deep Roll Out Trays | B__ 2FWT | 110 |
| Base Cabinet, 2 FBottom Mount Wastebaskets | BWBB__-2 | 111 |
| Base Cabinet, 3 Deep Roll Out Trays and Shelf | B__ 3T | 109 |
| Base Cabinet, 4 Deep Roll Out Trays | B__ 4T | 110 |
| Base Cabinet, 6 Deep Roll Out Trays | B45 6T | 110 |
| Base Cabinet Construction | - | 39 |
| Base Cabinet Decorator Matching Doors | DMDB | 201 |
| Base Cabinet Dimensions | - | 42 |
| Base Cabinet, Standard | B__ | 108 |
| Base Cabinet Tray Divider Pull Out | BTDP9 | 113 |
| Base Cabinet with Cutting Board Door Rack Kit | B18 CBDR | 111 |
| Base Cabinet with Factory Installed Drawer Accessory | B__ | 120 |
| Base Cabinet with Factory Installed Roll Out Tray Divider | B__ ROTD | 111 |
| Base Cabinet with Plastic Bag Door Storage Kit | B__ PBDSU | 111 |
| Base Column Filler | B__ C__ | 207 |
| Base Corner Filler | BCF27 | 203 |
| Base Easy Reach | BER__ | 129 |
| Base End Angle | BEA__ FH | 134 |
| Base Filler Pull Out | BFP3 | 135 |
| Base Microwave Cabinet | BMC__ | 134 |
| Base Oven Cabinet Universal | BOCU__ | 134 |
| Base Pantry Pull Out | BPP__ | 113 |
| Base Pantry Pull Out Utensil Storage | BPPUS__ | 113 |
| Base Pot & Pan Organizer Cabinet | B__ BPPO | 110 |
| Base Pot & Pan Organizer Kit | BPPOK__ | 137 |
| Base Recycling Kit | BR2B15 | 135 |
| Base Spice Drawer Cabinet | BSDC6 | 133 |
| Base Square Foot | BSQF | 215 |
| Base Square Leg | BSQL | 215 |
| Base Super Susan with Plastic Spin Shelves | BSS__ | 130 |
| Base Super Susan with Wood Spin Units | BSS__ WD | 130 |
| Base Tapered Leg | BTPL | 215 |
| Base Toe Kick | BTK8 | 200 |

| | SKU | Spec |
|---|-------------------------|----------|
| Base Turned Leg | BTL | 216 |
| Base Wine Rack Cabinet | BWRC6 | 133 |
| Batten Molding | BM8 | 191 |
| Blind Corner Base | BLB__ | 126 |
| Blind Corner Base Dimensions | - | 126 |
| Blind Corner Base Installation | - | 127 |
| Blind Corner Closure | BLC1515 | 200 |
| Blind Peninsula Corner Base | PBC__ | 128 |
| Blind Peninsula Wall Cabinet | BLPW__ | 90 |
| Blind Peninsula Wall Cabinet Installation Chart | - | 91 |
| Blind Wall Cabinet | BLW__ | 84 |
| Blind Wall Cabinet Installation Chart | - | 89 |
| C | | |
| Cabinet Angle Molding | CAM8 | 193 |
| Cabinet Care | - | 36 |
| Cabinet Front Only Option | CFO | 52 |
| Cabinet Specifications | - | 35 |
| Cabinet Tray Divider | TD3 | 135, 154 |
| Ceiling Height Requirements | - | 45 |
| Chair Rail Molding | CR8 | 190 |
| Chantilly Decorative Foot | CDF | 217 |
| Chantilly Decorative Leg | CDL | 217 |
| Chantilly Furniture Leg | CFL | 217 |
| Classic Baseboard Molding | CLBM8 | 190 |
| Classic Tapered | WRH__ CT | 101 |
| Classic Trim Molding | CLTM8 | 190 |
| Clear Decorative Glass Insert | DGI-__ CLEAR | 66 |
| Cleat | HWC__ | 193, 220 |
| Construction Comparison Chart | - | 53 |
| Construction Option Examples | - | 51 |
| Construction Option Legend | - | 50 |
| Construction Options | - | 49 |
| Contemporary Trim Molding | CTM8 | 187 |
| Corbels | - | 211 |
| Corner Base Carousel | CAR | 132 |
| Corner Base with Plastic Spin Shelves | CBS36 | 131 |
| Corner Base with Wood Spin Units | CBS36 WD | 131 |
| Corner Lazy Susan | CLS45F | 139 |
| Corner Sink Base | CSB36 | 116 |
| Corner Sink Front | CSF__ | 117 |
| Corner Wall Cabinet | CWD__ | 92 |
| Corner Wall, Wood Spin Units | CWDS__ WD | 93 |
| Cove Corbels | CC__ | 211 |
| Cover Caps | COVER CAP | 219 |
| Crown Molding | CM8 | 186 |
| Crown Valance | V__ CR | 210 |
| Curved Corbel | CS12 | 214 |
| CushionClose | - | 58 |
| CushionClose Door Buffer | CUSHION CLOSE DR BUFFER | 219 |
| Cutlery Divider Kit | CDAK__ | 138 |
| Cutting Board Door Rack Kit | CBDRK18 | 137 |

| | SKU | Spec |
|---|--------------------|-------------------------|
| D | | |
| Decorative Cove Molding | DCVM8 | 185 |
| Decorative Glass Clips | CLIP DGI__ | 67 |
| Decorative Glass Inserts | DGI | 66 |
| Decorative Hardware | KNOB/PULL | 223 |
| Decorative Inside Corner Molding | ICM8 | 192 |
| Decorative Items | - | 195 |
| Decorative Mantel Range Hood | WRH __ DM | 101 |
| Decorative Trim Molding | DCTM8 | 187 |
| Deep Roll Out Tray 4-Pack Kit | DROT __ 4K | 155, 176 |
| Deep Roll Out Tray Kit | DROT__ | 137, 155, 162, 176, 180 |
| Deep Sink/Range Base Cabinet | DSB__ | 116 |
| Derbyshire Decorative Glass | DGI-__ DERBYSHIRE | 66 |
| Desk Cabinet Decorator Matching Doors | DMDD__ | 202 |
| Desk Cabinet Dimensions | - | 42 |
| Desk Door Cabinet, 21" Deep | DDO __ 21 | 158 |
| Desk Door Cabinet, 24" Deep | DDO __ 24 | 159 |
| Desk Drawer Cabinet, 21" Deep | DDR __ 21 | 159 |
| Desk Drawer Cabinet, 24" Deep | DDR __ 24 | 159 |
| Desk End Panel | DEP | 196 |
| Desk File Pull Out Cabinet, 21" Deep | DFDC1821 | 158 |
| Desk File Pull Out Cabinet, 24" Deep | DFDC1824 | 159 |
| Desk Wastebasket Cabinet, 21" Deep | DWBB1821 | 158 |
| Desk Wastebasket Cabinet, 24" Deep | DWBB1824 | 159 |
| Dishwasher Return | DWR3 | 196 |
| Door Species & Characteristics | - | 37 |
| Door Style Collections | - | 3 |
| Drawer Base Cabinet, 2 Drawers | DB __ 2DWR | 123 |
| Drawer Base Cabinet, 3 Drawers | DB__ | 123 |
| Drawer Base Cabinet, 4 Drawers | DB __ 4DWR | 124 |
| Drawer Base Cabinet Dimensions | - | 42 |
| Dummy Drawer Front Fastener | DDF FASTENER | 219 |
| E | | |
| Edge Banding | EDGE BAND__ | 220 |
| End Panel | _EP__ | 197 |
| Environmentally Responsible Stewardship | - | 34 |
| F | | |
| File Pull Out Cabinet, 21" Deep | DFDC1821 | 158 |
| File Pull Out Cabinet, 24" Deep | DFDC1824 | 159 |
| Fillers | - | 195 |
| Fillers | UF__ | 203 |
| Finished Paneling | FP__ | 198 |
| Finished Shelf | FS __ 12 | 200 |
| Finishing System Specifications | - | 36 |
| Finley Corbels | FC__ | 212 |
| Flat Panel Arched Valance | V __ FP | 209 |
| Floating Shelf | FLSH__ | 105, 162, 199 |
| Fluted Beaded Filler Extension | FBF E3__ | 206 |
| Fluted Beaded Filler | FBF__ | 206 |
| Four-Sided Stock | S4S__ | 189 |
| Frosted Ash Decorative Glass Insert | DGI-__ FROSTED ASH | 66 |
| Frosted Decorative Glass Insert | DGI-__ FROSTED | 66 |
| Full-Access Hidden Glides System | - | 40 |
| Full-Height Base Cabinet, 1 Factory Installed Wastebasket | BWBB_ FH | 114 |
| Full-Height Base Cabinet, 2 Deep Roll Out Trays | B __ FH 2FWT | 112 |
| Full-Height Base Cabinet, 2 Factory Installed Wastebasket | BWBB_ -2 FH | 114 |
| Full-Height Base Cabinet, 4 Deep Roll Out Trays | B __ FH 4FWT | 114 |

| | SKU | Spec |
|---|---------------------|----------|
| Full-Height Base Cabinet with Tray Divider and Shelf | TB9 TDS | 113 |
| Full-Height Peninsula Base | PB__ FH | 124 |
| Furniture Drawer Cabinet | FD__ | 122 |
| Furniture Ends Option | FE | 59 |
| G | | |
| Glass Shelf Kit | GSK__ | 105 |
| Grooved End Panel | _EP__ GROOVED | 197 |
| Grooved Finished Paneling | FP__ GROOVED | 198 |
| H | | |
| Hardware, Decorative | KNOB/PULL | 223 |
| Hardware Specifications | - | 40 |
| Heat Shield Kit | HSK | 139, 156 |
| Hinges | - | 40 |
| I | | |
| Impression Decorative Glass Insert | DGI-__ IMPRESSION | 66 |
| Increased Depth Cabinet Option | ID | 57 |
| Inset Light Rail Molding | ILR8 | 187 |
| Inside Corner Molding | QM8 | 191 |
| Installation Guidelines | - | 46 |
| Installation Items | - | 219 |
| Inverted Frame Cabinet Option | IF | 53 |
| K | | |
| KCMA Certification | - | 34 |
| Kneehole Drawer Cabinet | KDC__ | 160, 173 |
| L | | |
| Large Cove Molding | LCVM8 | 185 |
| Large Crown Molding | LCM8 | 186 |
| Library Molding | LBM8 | 190 |
| M | | |
| Matching Interior Cabinet Option | MI | 59 |
| Medicine Cabinet | MC/MCM__ | 173 |
| Meredith Decorative Glass Insert | DGI-__ MEREDITH | 66 |
| Metal Cove Corbel | METAL COVE 212 __ | 214 |
| Metal Emerson Corbel | METAL EMERSON 27 __ | 214 |
| Microwave Wall | WMC__ | 79 |
| Mirror Molding | MM8 | 188 |
| Modern Box Range Hood | RH__ MB | 102 |
| Molding Stacks, Classic | MS CLASSIC __ | 184 |
| Molding Stacks, Modern | MS MODERN __ | 182 |
| Molding Stacks, Transitional | MS TRANSITIONAL __ | 183 |
| O | | |
| Ogee Molding | OGE8 | 188 |
| Ogee Pilaster Molding | OGP8 | 190 |
| Open Frame Door | OFD | 62 |
| Outside Corner Molding | OTCM8 | 192 |
| Oven Cabinet, Double | OVD__ NDWR | 152 |
| Oven Cabinet, Double with 1 Drawer | OVD__ | 152 |
| Oven Cabinet, Double with 1 Large Drawer | OVD__ 1DDWR | 152 |
| Oven Cabinet, Double with 2 Drawers | OVD__ 2DWR | 153 |
| Oven Cabinet, Single | OVS__ | 148 |
| Oven Cabinet, Single with 1 Drawer | OVS__ 1DWR | 149 |
| Oven Cabinet, Single with 1 Drawer, Pot & Pan Organizer | OVS__ 1DWR BPPO | 149 |

| | SKU | Spec |
|--|-----------------|-------------|
| Oven Cabinet, Single with 2 Drawers | OVS__2DWR | 149 |
| Oven Cabinet, Single with 2 Drawers, Pot & Pan Organizer | OVS__ BUTT BPPO | 150 |
| Oven Cabinet, Single with 2 Large Drawers | OVS__2DDWR | 150 |
| Oven Cabinet, Single with 3 Drawers | OVS__3DWR | 150 |
| Oven Cabinet, Single with 4 Drawers | OVS__4DWR | 151 |
| Oven Cabinet, Single with Pot & Pan Organizer | OVS__BPPO | 148 |
| Overlay Dimensions | - | 48 |
| Overlay Filler | __OF__ | 204 |
| P | | |
| Panels | - | 195 |
| Pantry Door Shelf Kit | PDSK18 | 155 |
| Pantry Swing Out Kit | PCSK36 | 154 |
| Parker Decorative Foot | PDF | 216 |
| Parker Decorative Leg | PDL | 216 |
| Parker Furniture Leg | PFL | 216 |
| Parts Directory | - | 233 |
| Pedestal Drawer Cabinet | PD__ | 123 |
| Peninsula Base Cabinet | PB__ | 125 |
| Peninsula Corner Wall Cabinet | PWCW__ | 94 |
| Peninsula Wall Cabinet | PW__ | 81 |
| Plastic Bag Door Storage Unit | PBDSU__ | 136 |
| Plinth Block - 3" | FB3X4 PLINTH | 208 |
| Plinth Block - 6" | FB6X6 PLINTH | 208 |
| Plywood Ends Option | PE | 52 |
| Prairie Corbels | PC__ | 213 |
| Premium Finish Cabinet Option | -- | 55 |
| Prepped for Glass Decorative Insert | PREPPED | 67 |
| Putty Stick | PUTTY STICK__ | 221 |
| Q | | |
| Quarter Round Molding | QR8 | 191 |
| R | | |
| Raised Panel Arched Valance | V__ RP | 209 |
| Raised Panel Range Hood | RH__ RP | 102 |
| Raised Panel, Wall Range Hood | WRH__ RP | 101 |
| Range Hood Blower | RHVENT__ | 104 |
| Range Hood Chimney | RHC__ | 103 |
| Range Hood Liner | RHLINER__ | 103 |
| Range Hood, Straight Valance | RH__ SV | 102 |
| Recessed Toe Kick Option | RTK | 57 |
| Reduced Depth Cabinet Option | RD | 56 |
| Refrigerator Return Panel | RR__ | 199 |
| Refrigerator Wall Cabinet | W__ X 24 DP | 76 |
| Ribbed Decorative Glass Insert | DGI-__ RIBBED | 67 |
| Roll Out Tray Divider Kit | ROTDK__ | 137 |
| Rosette Block - 3" | __B3X3 ROSETTE | 208 |
| Rosette Corbels | RC__ | 213 |
| S | | |
| Screws, Installation | SCREW__ | 219 |
| Scribe Molding | SM8, SM10 | 193 |
| Shaker Accent Molding | SAM8 | 189 |
| Shaker Insert Molding | SIM8 | 188 |
| Shaker Mirror Molding | SMM8 | 188 |
| Shaker Valance | V__ SH | 209 |
| Shelf, Adjustable | S/SK__ | 156, 176 |
| Shelf End Base | SEB | 133 |
| Shelf End Peninsula Base | SEPB | 133 |

| | SKU | Spec |
|---|-----------------|---------------|
| Shelf End Wall, Round Top and Bottom | SEW__ | 100 |
| Shelf End Wall, Square Top and Bottom | SEW__ SQT B | 100 |
| Shelf End Wall, Square Top and Round Bottom | SEW__ SQT | 100 |
| Shelf, Floating | FLSH__ | 105, 162, 199 |
| Shelf Rests | SHELF REST__ | 219 |
| Shelf Under Cabinet Organizer | SUCO__ | 160 |
| Shiplap Box Range Hood | RH__ MB | 102 |
| Shoe Molding | SHM8 | 192 |
| Side-Mounted Drawer Glides | - | 40 |
| Single Bead Accent Molding | SBAM8 | 189 |
| Single Bead Insert Molding | SBIM8 | 188 |
| Single Bead Molding | SBM8 | 189 |
| Sink Base Door Storage Unit | SBDSU__ | 136 |
| Sink Base Multi-Storage Cabinet | SBMS__ BUTT STO | 119 |
| Sink Base Multi-Storage Kit | SBMS__ KIT | 136 |
| Sink Base Multi-Storage Shelf | SBMSS | 136 |
| Sink Base with Factory Installed Tilt-Out Tray(s) | SB__ STO/TO | 118 |
| Sink/Cooktop Base Cabinet | SB__ | 115 |
| Sink/Cooktop Front | SF__ | 117 |
| Sink/Vanity Front Floor | FL__ | 196 |
| Sink/Vanity Front Return | SFR | 196 |
| Sliding Towel Bar | STB | 139 |
| Sloped Range Hood | RH__ SL | 102 |
| Small Cove Molding | SCVM8 | 185 |
| Small Single Bead Molding | SSBM8 | 189 |
| Small Traditional Light Rail Molding | STLR8 | 187 |
| Soffit Crown Molding | SCM8 | 186 |
| Specialty Door Availability | - | 61 |
| Specialty Door Option | SD | 60 |
| Spice Drawer Cabinet | SDC__ | 99 |
| Spice Drawer Insert Kit | SDIAK__ | 138 |
| Spice Rack Kit | SRK__ | 105 |
| Split Post | SPLT POST80 P | 218 |
| Spray Stain | SPRAY STAIN__ | 220 |
| Square Chair Rail Molding | SQCR8 | 190 |
| Square Light Rail Molding | SQLR8 | 187 |
| Stain | STAIN__ | 220 |
| Starter Molding | STRM8 | 186 |
| Stem Glass Holder | SGH36U | 105 |
| Stock 3-Sided | MSS3S__ | 188 |
| Stock 3-Sided | S3S__ | 189 |
| Stock 4-Sided | S4S__ | 189 |
| Storage Cube | SC__ | 99, 162 |
| Straight Trim Molding | UM8 | 192 |
| Straight Valance | V__ S | 210 |
| T | | |
| Tall Bookshelves | BSPLY__ | 161 |
| Tall Cabinet Decorator Matching Doors | DMDT__ | 201 |
| Tall Cabinet Dimensions | - | 44 |
| Tall Column Filler | T_C__ | 207 |
| Tapered Foot | TPF | 215 |
| Three-Sided Stock | MSS3S__ | 188 |
| Tilt-Out Tray Kit | TO/STO TRAY__ | 136 |
| Touch Up Marker | TU MARKER__ | 221 |
| Traditional Classic Crown Molding | TCCM8 | 186 |
| Traditional Split Block | SPLT BLOCK26 T | 218 |
| Traditional Valance | V__ T | 210 |
| Tri-View Mirror | TV__ | 173 |

| | SKU | Spec |
|--|-----------------------|------|
| U | | |
| Universal Design Base Cabinet, 2 Deep Roll Out Trays | B__2FWT UD | 178 |
| Universal Design Base Cabinet | B__ UD | 178 |
| Universal Design Base Multi-Use Cabinet | BMU30 UD | 179 |
| Universal Design Base Toe Kick | BTK8 UD | 200 |
| Universal Design Cabinet Dimensions | - | 43 |
| Universal Design Corner Base Susan Cabinet | CBS36 UD | 180 |
| Universal Design Drawer Base Cabinet | DB__ UD | 179 |
| Universal Design Oven Cabinet | OVS3384 UD BUTT | 180 |
| Universal Design Plumbing Skirt | _PS3_ UD | 179 |
| Universal Design Sink Base | SB__ BUTT UD | 179 |
| Universal Filler Extension | UF E3__ | 203 |
| Universal Filler | UF__ | 203 |
| Utility Cabinet, 12" Deep | UT__ 12 X __ | 142 |
| Utility Cabinet, 12" Deep, with Adjustable Shelves | UT__ 12 X __ AS | 143 |
| Utility Cabinet, 24" Deep | UT__ 24 X 84 | 144 |
| Utility Cabinet, 24" Deep, with Adjustable Shelves | UT__ 24 X __ AS | 146 |
| Utility Cabinet, 24" Deep, with Deep Roll Out Trays | UT__ 24 X __ 4ROT | 146 |
| Utility Cabinet, 24" Deep, with Pantry Storage | UT3624 X __ PCDS BUTT | 147 |
| Utility Cabinet Shelf & Pilaster Kit | PSK36 | 155 |
| V | | |
| Valances | V__ | 209 |
| Valencia Corbels | VC__ | 212 |
| Valet Cabinet | VC2436 BUTT | 173 |
| Vanity Base, 31 1/8" High | VB__ | 164 |
| Vanity Base, 34 1/2" High | VB__ 34H | 169 |
| Vanity Base with Full-Height Door, 34 1/2" High | VB__ 34H FH | 169 |
| Vanity Cabinet Decorator Matching Doors | DMDV | 202 |
| Vanity Cabinet Dimensions | - | 43 |
| Vanity Combo Sink Base, 31 1/8" High | VSDB__ | 167 |
| Vanity Combo Sink Base, 34 1/2" High | VSDB__ 34H | 172 |
| Vanity Drawer Base, 31 1/8" High | VDB__ | 164 |
| Vanity Drawer Base, 34 1/2" High | VDB__ 34H | 170 |
| Vanity Linen Cabinet | VLC__ | 174 |
| Vanity Linen Cabinet, with Adjustable Shelves | VLC__ AS | 175 |
| Vanity Linen Cabinet, with Deep Roll Out Trays | VLC__ 4ROT | 175 |
| Vanity Sink Base, 31 1/8" High | VSDB/VAN__ | 165 |
| Vanity Sink Base, 34 1/2" High | VSDB/VAN__ 34H | 170 |
| Vanity Sink Front, 31 1/8" High | VSF__ | 168 |
| Vanity Wastebasket Base Cabinet, 34 1/2" High | VWBB1834H | 170 |
| Void Door Cabinet Option | VDO | 54 |
| Void Top Drawer Option | VTD | 54 |
| W | | |
| Wall Bookshelves | BSPLY__ | 160 |
| Wall Cabinet Construction | - | 38 |
| Wall Cabinet Decorator Matching Doors | DMDW__ | 202 |
| Wall Cabinet Dimensions | - | 41 |
| Wall Cabinet, Standard | W__ | 70 |
| Wall Cabinet with Spice Rack | W__ SR | 75 |
| Wall China Cabinet | WCC__ | 100 |
| Wall Column Filler | W_C__ | 207 |
| Wall Compact Microwave | WCMSC__ | 80 |
| Wall Easy Reach | WER__ | 93 |
| Wall End Angle Cabinet | WEA12__ | 97 |
| Wall Microwave Cabinet, with Shelf | WMSC__ | 80 |

| | | |
|------------------------------------|-----------|-----|
| Wall Plain Box Filler | WPB__ | 103 |
| Wall Range Hood, Classic Tapered | - | 101 |
| Wall Range Hood, Decorative Mantle | - | 101 |
| Wall Range Hood, Raised Panel | WRH__ RP | 101 |
| Wall Range Hood, Straight Valance | WRH__ SV | 101 |
| Wall Top Hinge Cabinet | WTH__ | 96 |
| Warranty Information | - | 2 |
| Wastebasket Unit | WBU15 | 135 |
| Wide Batten Molding | WBM8 | 191 |
| Wine Rack Cabinet | WRC__ | 100 |
| Wine Rack | WR36 | 105 |
| Wine Storage Cabinet | WSC__ | 100 |
| Wood Base End Panel | WBEP | 198 |
| Wood Tall End Panel | WTEP__ | 198 |
| Wood Tiered Cutlery Divider Kit | WTCDKFD__ | 138 |
| Wood Wall End Panel | WWEP__ | 198 |

MACARTHUR



STARTING AT:
Cherry
\$269
Maple
\$265
Painted
\$307

SAVANNAH



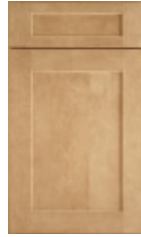
STARTING AT:
Cherry
\$255
Maple
\$252
Painted
\$292

READING



STARTING AT:
Cherry
\$237
Maple
\$215
Painted
\$250

READING w/DFO



STARTING AT:
Cherry
\$247
Maple
\$228
Painted
\$264
Duraform®
\$228

PORTOLA



STARTING AT:
Cherry
\$221
Maple
\$214
Painted
\$249
Duraform®
\$191

PORTOLA w/DFO



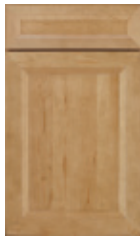
STARTING AT:
Cherry
\$232
Maple
\$227
Painted
\$263

GARNER



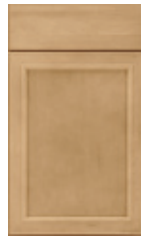
STARTING AT:
Maple
\$192
Painted
\$223

GARNER w/DFO



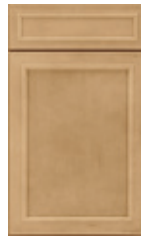
STARTING AT:
Maple
\$205
Painted
\$238

BROOKLAND



STARTING AT:
Cherry
\$224
Maple
\$203
Painted
\$236
Duraform®
\$203

BROOKLAND w/DFO



STARTING AT:
Cherry
\$237
Maple
\$215
Painted
\$250
Duraform®
\$215

HANOVER



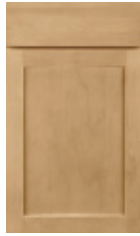
STARTING AT:
Cherry
\$223
Maple
\$212
Painted
\$246
Duraform®
\$212

SHOREBROOK



STARTING AT:
Maple
\$212
Painted
\$246

LEESBURG



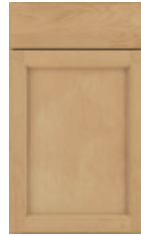
STARTING AT:
Cherry
\$200
Maple
\$178
Painted
\$206
Duraform®
\$178

LEESBURG w/DFO



STARTING AT:
Cherry
\$213
Maple
\$189
Painted
\$220
Duraform®
\$189

ADELAIDE



STARTING AT:
Maple
\$178
Painted
\$206

ADELAIDE w/DFO



STARTING AT:
Maple
\$189
Painted
\$220

WESTERLY



STARTING AT:
Maple
\$164
Painted
\$191

ASHLAND



STARTING AT:
Cherry
\$154
Maple
\$138
Painted
\$161

GLEN ELLEN



STARTING AT:
Duraform®
\$184

GLEN ELLEN w/DFO



STARTING AT:
Duraform®
\$196

SAN MATEO



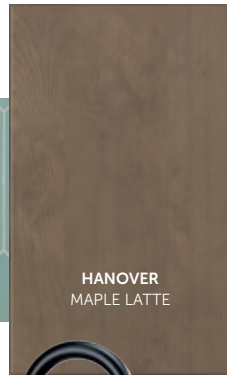
STARTING AT:
Duraform®
\$175

All pricing listed by linear foot.
Upgrades and options not included in price.
Prices may vary by finish and are subject to change.

1 FINISH, *Many Looks*



TRANSITIONAL
Transitional style balances characteristics of both traditional and contemporary design. This style is ideal for customers who are looking for a refined space with added personality.



CONTEMPORARY
Create a contemporary look when you highlight a space using clean lines, simple textures, and subtle accents. A neutral palette with muted tones helps soften the space and create a welcoming atmosphere.



COTTAGE
With welcoming charm and a laid-back feel, cottage style is casual yet elevated. Create a cozy space with simple, practical details that make each day a breeze for your customer.

AMERICAN
Woodmark[®]

AMERICAN
Woodmark PRO

woodmarkcabinetry.com

Customer Care: 1-800-677-8182



KITCHEN CABINET MANUFACTURERS ASSOCIATION
ENVIRONMENTAL STEWARDSHIP PROGRAM (ESP)
ALL PRODUCTS IMPACT THE ENVIRONMENT
FOR ESP PROGRAM CRITERIA, VISIT KCMALOG.ORG



ANSI/KCMA A161.1



© 2022 American Woodmark Corporation® All rights reserved.
The Home Depot® is a registered trademark of Home Depot, Inc.
7/22 7.0M AWH97953